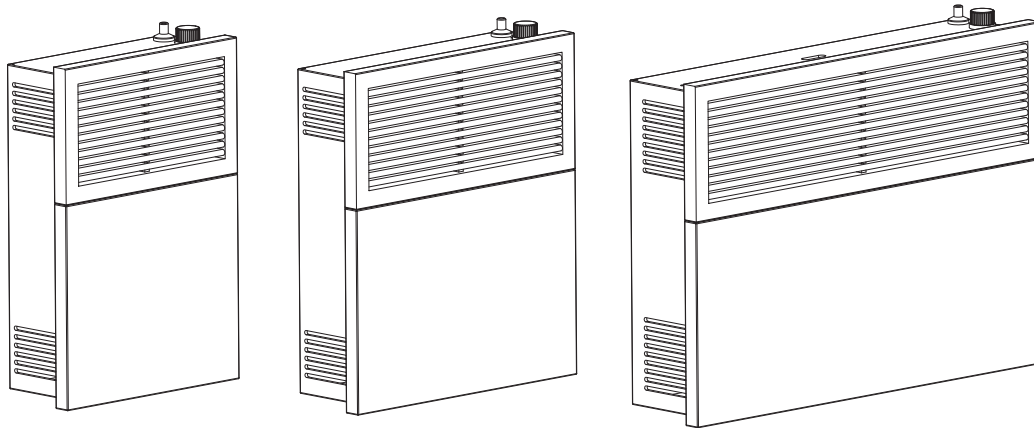




## MODELS: DVAG11 / DVAG17 / DVAG30



INSTALLER: Leave this manual with the appliance.  
CONSUMER: Retain this manual for future reference.

Warning: If the information in this manual is not followed exactly, a fire or explosion may result causing property damage, personal injury or loss of life.

Do not store or use gasoline or other flammable vapors and liquids in the vicinity of this or any other appliance.

### WHAT TO DO IF YOU SMELL GAS

- Do not try to light any appliance.
- Do not touch any electrical switch; do not use any phone in your building.
- Immediately call your gas supplier from a neighbor's phone. Follow the gas supplier's instructions.
- If you cannot reach your gas supplier, call the fire department.
- Installation and service must be performed by a qualified installer, service agency or the gas supplier.

Installation and service must be performed by a qualified installer, service agency or the gas supplier. This appliance may be installed in an aftermarket, permanently located, manufactured home (USA only) or mobile home, where not prohibited by local codes.

This appliance is only for use with the type of gas indicated on the rating plate. This appliance is not convertible for use with other gases, unless a certified kit is used.



United States Stove Company  
227 Industrial Park Rd.,  
South Pittsburg, TN 37380  
PH: (800) 750-2723  
[www.usstove.com](http://www.usstove.com)



### CALIFORNIA PROPOSITION 65 WARNING:

This product can expose you to chemicals including carbon monoxide, which is known to the State of California to cause cancer, birth defects and/or other reproductive harm. For more information, go to [www.P65warnings.ca.gov](http://www.P65warnings.ca.gov)



Intertek

853277F-2604J

# Requirements For The Commonwealth Of Massachusetts

The following requirements reference various Massachusetts and national codes not contained in this manual. For all sidewall horizontally vented gas fueled equipment installed in every dwelling, building or structure used in whole or in part for residential purposes, including those owned or operated by the Commonwealth and where the side wall exhaust vent termination is less than (7) feet above finished grade in the area of the venting, including but not limited to decks and porches, the following requirements shall be satisfied:

## **INSTALLATION OF CARBON MONOXIDE DETECTORS**

At time of installation of side wall horizontally vented gas fueled equipment, the installing plumber or gas-fitter shall observe that a hard wired carbon monoxide detector with an alarm and battery back-up is installed on the floor level where the gas equipment is to be installed. In addition, the installing plumber or gas-fitter shall observe that a battery operated or hard wired carbon monoxide detector is installed on each additional level of the dwelling, building or structure served by the side wall horizontal vented gas fueled equipment. It shall be the responsibility of the property owner to secure the services of qualified licensed professionals for the installation of hard wired carbon monoxide detectors. In the event that the side wall horizontally vented gas fueled equipment is installed in a crawl space or attic, the hard wired carbon monoxide detector with alarm and battery back-up may be installed on the next adjacent floor level. In the event that the requirements of this subdivision can not be met at the time of completion of installation, the owner shall have a period of thirty (30) days to comply with the above requirements; provided, however, that during said thirty (30) day period, a battery operated carbon monoxide detector with an alarm shall be installed.

## **APPROVED CARBON MONOXIDE DETECTORS**

Each carbon monoxide detector as required in accordance with the above provisions shall comply with NFPA 720 and be ANSI/UL 2034 listed and IAS certified.

## **SIGNAGE**

A metal or plastic identification plate shall be permanently mounted to the exterior of the building at a minimum of eight (8) feet above grade directly in line with the exhaust vent terminal for the horizontally vented gas fueled heating the appliance or equipment. The sign shall read, in print no less the one-half inch (1/2") in size, "GAS VENT DIRECTLY BELOW. KEEP CLEAR OF ALL OBSTRUCTIONS".

## **INSPECTION**

The state or local gas inspector of the side wall horizontally vented gas fueled equipment shall not approve the installation unless, upon inspection, the inspector observes carbon monoxide detectors and signage installed in accordance with the provisions of 248 CMR 5.08 (2) (a) 1 through 4.

## **EXEMPTIONS**

The following equipment is exempt from 248 CMR 5.08 (2) (a) 1 through 4: The equipment listed in Chapter 10 entitled "Equipment Not Required To Be Vented" in the most current edition of NFPA 54 as adopted by the Board; and Product Approved side wall horizontally vented gas fueled equipment installed in a room or structure separate from the dwelling, building or structure used in whole or in part for residential purposes.

## **MANUFACTURER REQUIREMENTS**

Gas Equipment Venting System Provided: When the manufacturer of Product Approved side wall horizontally vented gas equipment provides a venting system design or venting system components with the equipment, the instructions provided by the manufacturer for installation of the equipment and the venting system shall include: Detailed instructions for the installation of the venting system design or the venting system components; and a complete parts list for the venting system design or venting system.

## **GAS EQUIPMENT VENTING SYSTEM NOT PROVIDED**

When the manufacturer of Product Approved side wall horizontally vented gas equipment does not provide the parts for venting the flue gases, but identifies "special venting systems", the following requirements shall be satisfied by the manufacturer:

The referenced "special venting systems" instructions shall be included with the appliance or equipment installation instructions and;

The "special venting systems" shall be Product Approved by the Board, and the instructions for that system shall include a parts list and detailed installation instructions.

A copy of all installation instructions for all Product Approved side wall horizontally vented gas fueled equipment, all venting instructions, all parts lists for venting instructions, and/or all venting design instructions shall remain with the appliance or equipment at the completion of the installation.

# Content

This gas appliance must not be connected to a chimney flue serving a separate solid-fuel burning appliance.

## IMPORTANT FOR YOUR SAFETY

- Improper installation, adjustment, alteration, service, or maintenance can cause property damage, personal injury or loss of life. Refer to this manual.
- Installation and service must be performed by a qualified installer, service agency, or the gas supplier.

Do not use this appliance if any part has been under water. Immediately call a qualified service technician to inspect the appliance and to replace any part of the control system and any gas control which has been under water.

## Product Identification

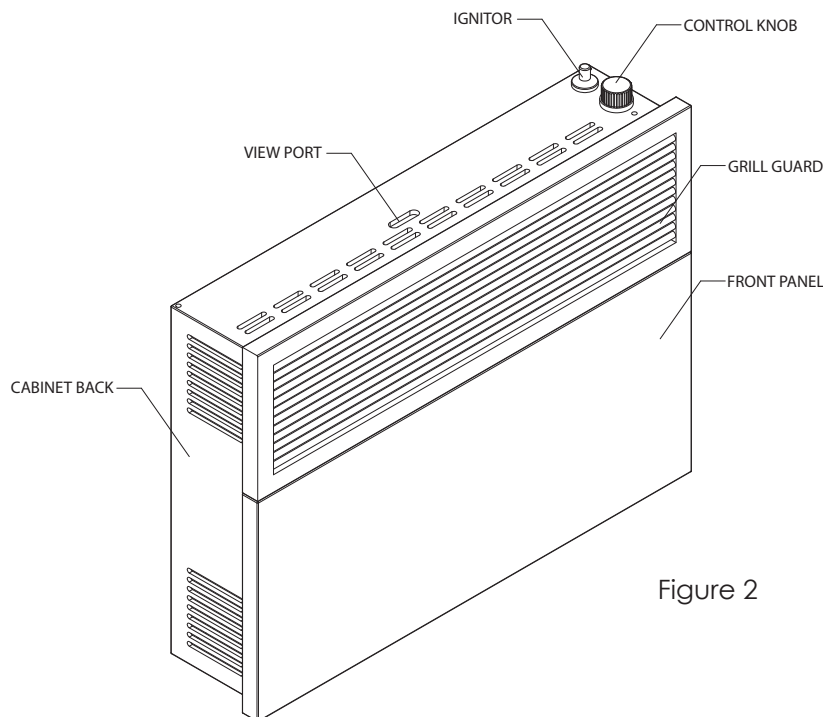


Figure 2

## Product Features

Model No.	Input Power * Btu/Hr. (kW)	Max. Gas Inlet Pressure inch W.C. (mm. W.C.)	Min. Gas Inlet Pressure inch W.C. (mm. W.C.)	Pres. Reg. Settings Manifold inch W.C. (mm. W.C.)	Valve Type
DVAG 11N	11,000 (3.20 kW)	10.5 (267 mm)	7 (178 mm)	5 (127 mm)	Chant RTZ-WK
DVAG 11L	11,000 (3.20 kW)	14 (355 mm)	11 (280 mm)	10 (254 mm)	Chant RTZ-WK
DVAG 17N	17,000 (4.94 kW)	10.5 (267 mm)	7 (178 mm)	5 (127 mm)	Chant RTZ-WK
DVAG 17L	17,000 (4.94 kW)	14 (355 mm)	11 (280 mm)	10 (254 mm)	Chant RTZ-WK
DVAG 30N	25,000 (7.33 kW)	10.5 (267 mm)	7 (178 mm)	5 (127 mm)	Chant RTZ-WK
DVAG 30L	25,000 (7.33 kW)	14 (355 mm)	11 (280 mm)	10 (254 mm)	Chant RTZ-WK

\*\*NOTE: Minimum Gas Inlet Pressure for purpose of input adjustment. The efficiency rating of the appliance is a product thermal efficiency rating determined under continuous operating conditions and was determined independently of any installed system.

Model#	Dimensions inch (mm)		Weight lbs. (kg.)	Type of Burner	# of Burners	Ignition	Standard Heating Space Square Feet / (m <sup>2</sup> )
DVAG11N DVAG11L	Height: Width: Depth:	20 (508 mm) 17.36 (441 mm) 6.61 (168 mm)	28 (12.7 kg)	Atmospheric	1	Piezo-electric ignitor	375 (34.8 m <sup>2</sup> )
DVAG17N DVAG17L	Height: Width: Depth:	20 (508 mm) 27.36 (695 mm) 6.61 (168 mm)	43 (19.5 kg)	Atmospheric	1	Piezo-electric ignitor	570 (52.9 m <sup>2</sup> )
DVAG30N DVAG30L	Height: Width: Depth:	26.30 (668 mm) 32.28 (820 mm) 8.74 (222 mm)	62.2 (28.2 kg)	Atmospheric	1	Piezo-electric ignitor	825 (76.6 m <sup>2</sup> )

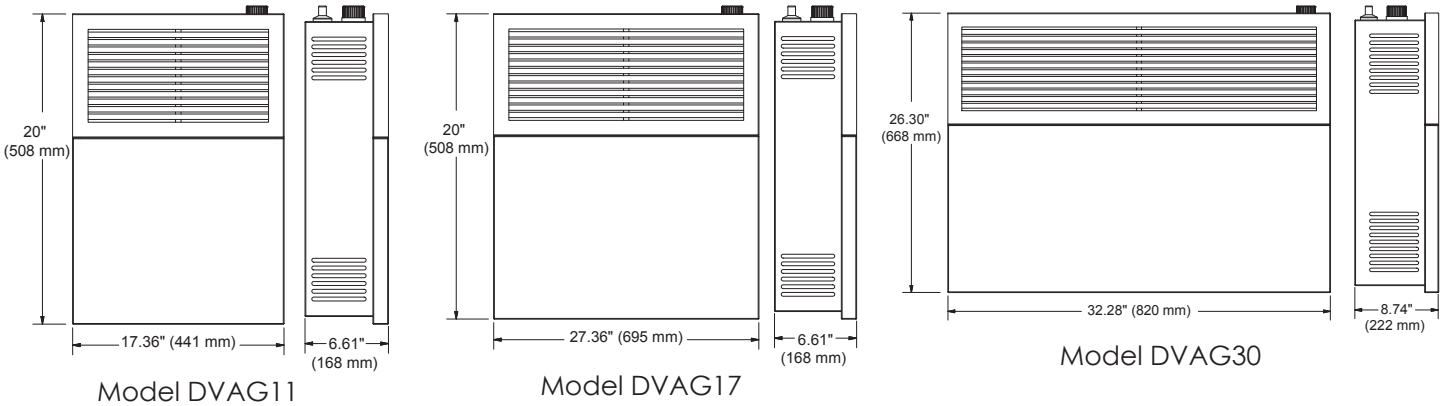


Figure 3

NOTE: A qualified service person must install the heater. Follow all local codes. CHECK GAS TYPE! Use only the type of gas indicated on the rating plate.

## Installation

### INSTALLATION ITEMS

Before installing heater, make sure you have the items listed below.

- Piping (check local codes)
- Sealant (resistant to propane gas)
- Manual shutoff valve
- Ground joint union
- Sediment trap
- Tee joint
- Pipe wrench

The installation location shall provide the following:

- Adequate combustion and ventilation air, and
- Adequate accessibility clearances for servicing.

Minimum Clearance From Combustible Construction	
Rear	0.25 inches (with supplied spacers)
Sides	6 inches
Top	36 inches
Floor	6 inches

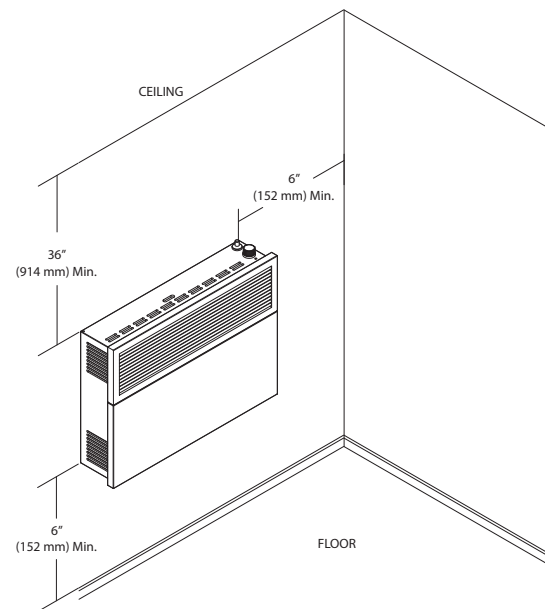
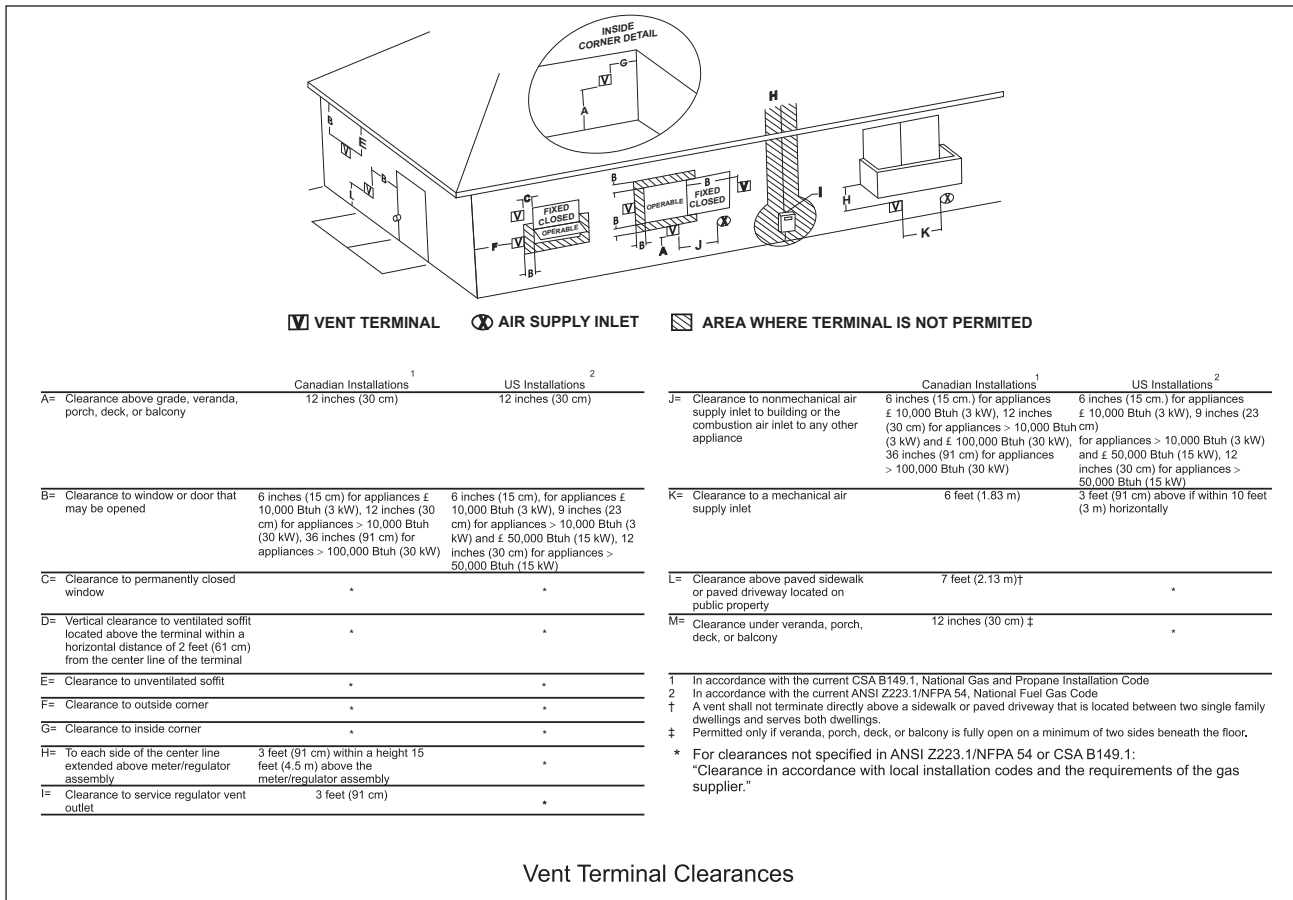


Figure 4



This appliance may be installed in an aftermarket, permanently located, manufactured home (USA only) or mobile home, where not prohibited by local codes. This appliance is only for use with the type of gas indicated on the rating plate. This appliance is not convertible for use with other gases, unless a certified kit is used.

**Important:** This appliance should only be installed by a qualified installer. The installation must conform with local codes or, in the absence of local codes, with the National Fuel Gas Code, ANSI Z223.1/NFPA 54, Natural Gas and Propane Installation Code, CSA B149.1.

A manufactured home (USA only) or mobile home OEM installation must conform with the Manufactured Home Construction and Safety Standard, Title 24 CFR, Part 3280, or when such standard is not applicable, the Standard for Manufactured Home Installations, ANSI Z 225.1, or Standard for Gas Equipped Recreational Vehicles and Mobile Housing, CSA Z 240.4.




**IMPORTANT:**

- The appliance area must be kept clear and free from combustible materials, gasoline, and other flammable vapors and liquids.
- Due to high temperatures, the appliance should be located out of traffic and away from furniture and draperies.
- Children and adults should be alerted to the hazards of high surface temperature and should stay away to avoid burns or clothing ignition.
- Young children should be carefully supervised when they are in the same room as the appliance.
- Clothing or other flammable material should not be placed on or near the appliance.
- Any safety screen or guard removed for servicing an appliance must be replaced prior to operating the appliance.

**IMPORTANT:** Installation and repair should be done by a qualified service person. The appliance should be inspected before use and at least annually by a qualified service person. More frequent cleaning may be required due to excessive lint from carpeting, bedding material, etc. It is imperative that control compartments, burners and circulating air passageways of the appliance be kept clean.

**Warning:** Failure to position the parts in accordance with these diagrams, or failure to use only parts specifically approved with this appliance may result in property damage or personal injury.

# Hardware Packet Contents

KEY	DESCRIPTION	ITEM	QTY
i	Medium Screw		3
ii	Large Screw		4
iii	Washer		4

iv	Spacer Washer		4
v	Rubber Grommet		2
vi	Small Screw		8

## INSTALLING THE APPLIANCE

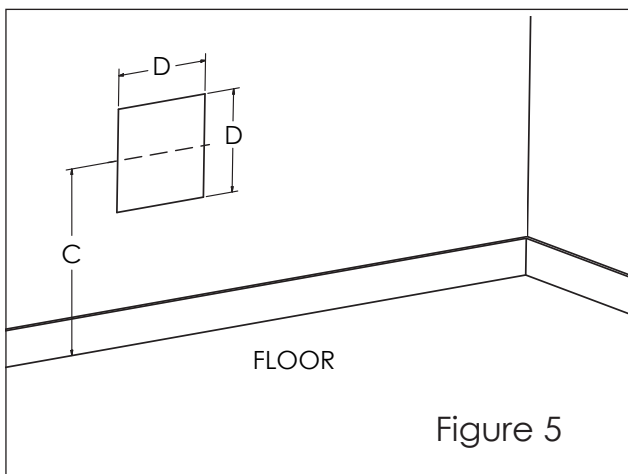
Separate the hanging bracket from the appliance by removing two screws on the top and two nuts at the bottom.

## INSTALLING THE HANGING BRACKET ON A NON-COMBUSTIBLE WALL ( I.E., MASONRY BLOCK OR CONCRETE)

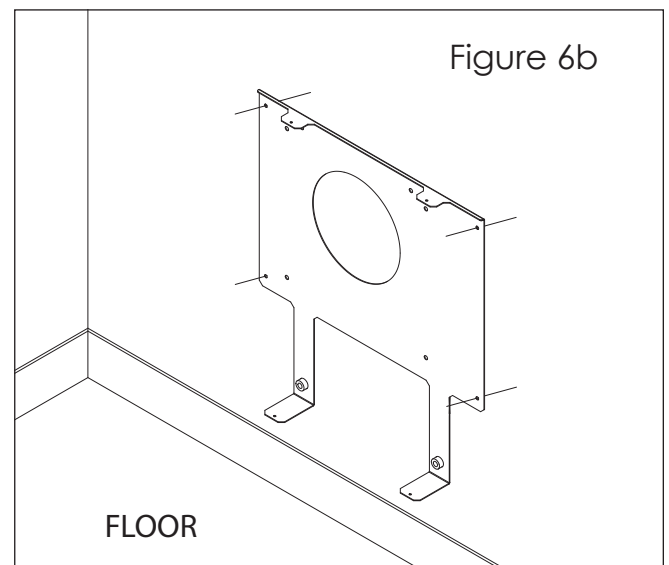
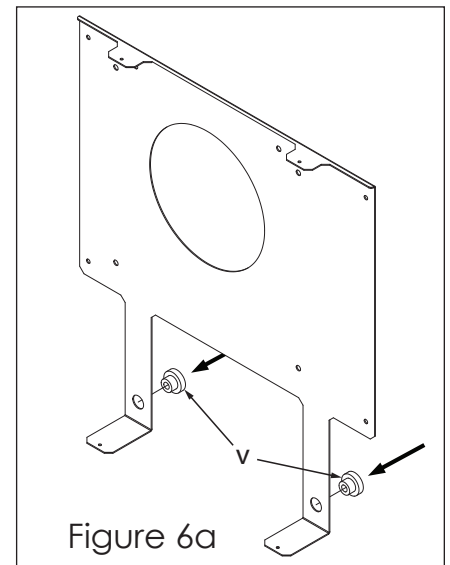
1. Draw the position of the hole for the air-vent intake pipe, taking into account the minimum clearances mentioned in figure 4. See dimensions of the square hole "D" and height to the center "C" in table 1 and figure 5 for the different models. Height "C" is the minimum recommended.

MODEL	C	D
DVAG 11N - DVAG 11L	20-7/32" (514 mm)	11-1/4" X 11-1/4" (286 x 286 mm) square hole
DVAG 17N - DVAG 17L	20" (508 mm)	
DVAG 30N - DVAG 30L	25-7/16" (647 mm)	

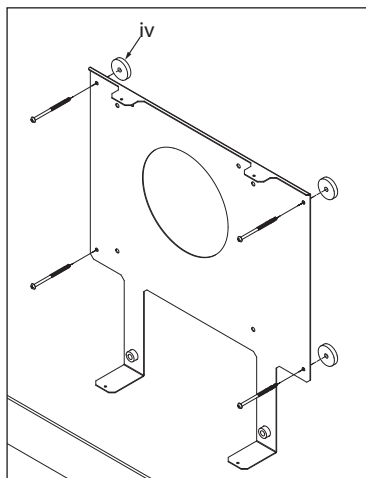
2. Cut the square hole through the wall according to the measurements and positions indicated in figure 5.



3. Insert the two provided rubber grommets (v) into the lower bracket as shown in figure 6a. Place the hanging bracket over the square hole. Check to see the bracket is level. After leveling the hanging bracket, mark the four holes as shown in figure 6b.



- Remove the hanging bracket and drill the four holes using a masonry drill bit. NOTE: The masonry drill bits size must match the size of the masonry screw that will be used (masonry screws and drill bit not included). IMPORTANT: The four 1/4" spacer washers (iv) provided must be put between the bracket and the wall.



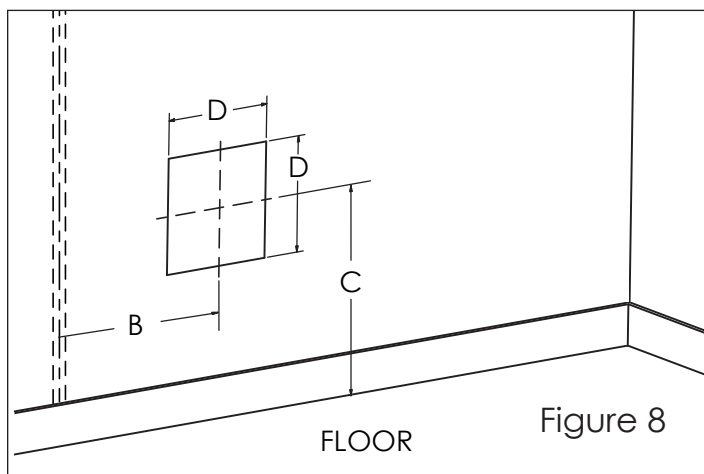
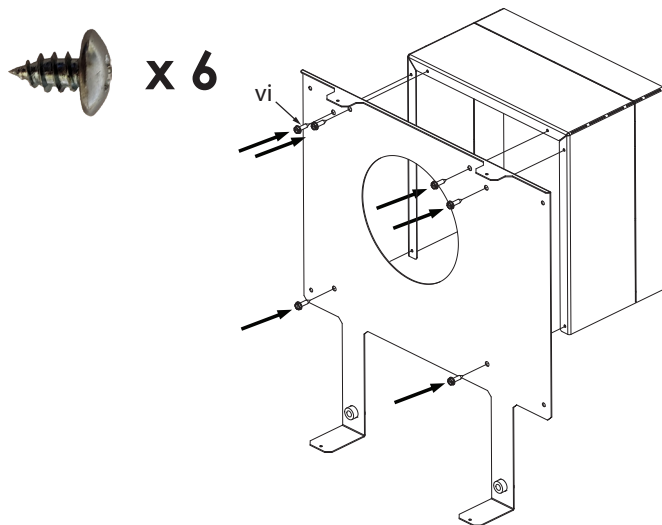
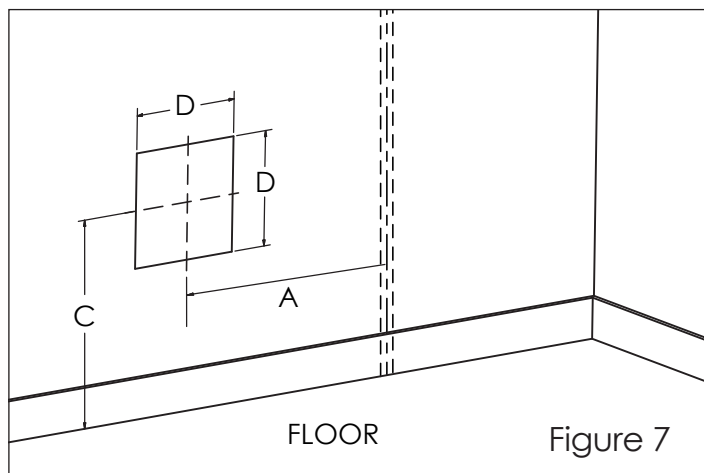
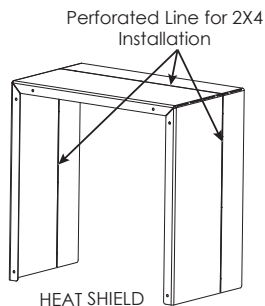
- Taking into account the minimum clearances mentioned in table two, locate the closest wall stud (which will serve to hold the appliance) and mark the square hole center at a distance "A", (if wall stud is at the right), or "B", (if the stud is at the left)(see table 2 and Figures 7 and 8). Note: Use the heat shield to help hold the bracket in place when marking the square hole locations.

TABLE 2				
MODEL	A	B	C	D
DVAG 11N - DVAG 11L	9-1/8" (233 mm)	6-13/16" (174 mm)	20-3/16" (514 mm)	11-1/4" X 11-1/4" (286 x 286 mm)
DVAG 17N - DVAG 17L	8" (204 mm)	8" (204 mm)	19-1/2" (495 mm)	square hole
DVAG 30N - DVAG 30L	8" (204 mm)	8" (204 mm)	23-3/16" (590 mm)	

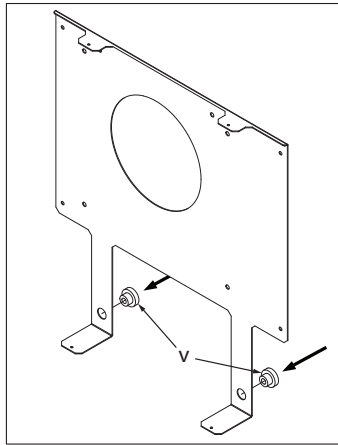
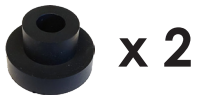
- Draw the position of the square hole for the vent-air intake pipe (see dimensions for square hole "D" and the height to the center "C" in table 2 for the different models. Height "C" is the minimum recommended.
- Cut the square hole through the wall according to the measurements and positions indicated in figure 7 and 8.

### **INSTALLING THE HANGING BRACKET ON A COMBUSTIBLE WALL (I.E. DRYWALL/WOODEN WALL)**

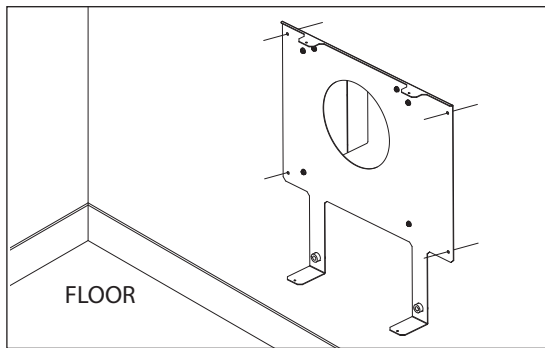
- Remove the required heat shield from the box and fold it as indicated in the illustration (fold along the perforated lines and break off when installing in a 2 X 4 wall). Align the holes on the heat shield with the holes on the mounting bracket and attach using the six provided small screws (vi).



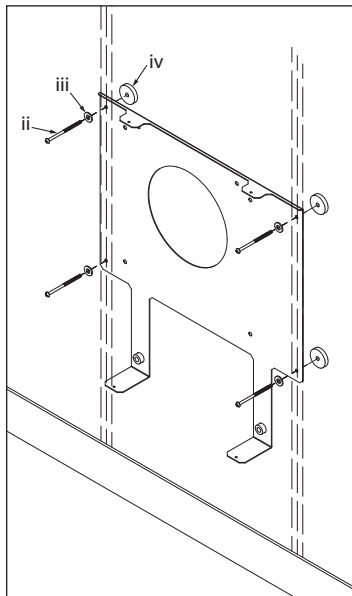
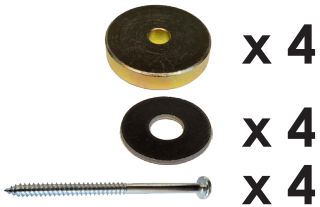
5. Insert the two provided rubber grommets (v) into the lower bracket as shown.



6. Place the wall bracket with the heat shield attached into the square hole. Check to see that the bracket is level. If not, you may have to trim the hole you cut to ensure the bracket is level when installed. After leveling the hanging bracket, mark the 4 holes as shown.

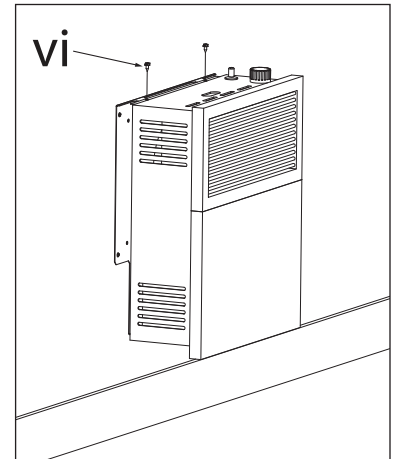


7. Remove the hanging bracket and drill the four holes using a 3/32" drill bit.  
 8. Place the hanging bracket and fix it with four screws (ii) and four washers (iii). IMPORTANT: The four 1/4" spacer washers (iv) provided must be put between the bracket and the wall.

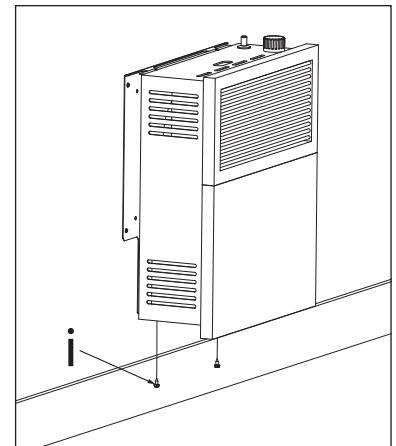


## MOUNTING THE HEATER ON HANGING BRACKET

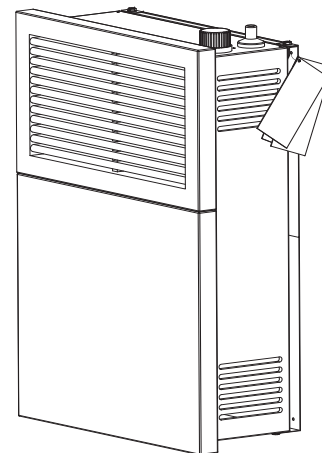
1. Place the heater on the hanging bracket and secure with two small screws (vi).



2. Use two medium screws (i) to secure the bottom bracket to the unit.



**ATTENTION: THE ATTACHED SET OF THREE MARKING PLATES (RATING PLATE, OPERATION INSTRUCTIONS, AND SAFETY PLATE) MUST NOT BE REMOVED FROM THE APPLIANCE AT ANY TIME.**





## INSTALLING THE VENTING SYSTEM

These models of wall furnaces are designed for direct venting through a wall. Only venting components specifically approved for these furnaces may be used. The flow of combustion gases and ventilation air must not be obstructed. Minimum clearance between pipes and combustible materials is one (1) inch (25.4 mm). Vent terminal must be 18.0" away from an adjacent wall. Minimum clearance between vent cap and combustible material 1-3/4".

**IMPORTANT: THE VENT-AIR INTAKE SYSTEM MUST BE PROPERLY INSTALLED TO Ensure PROPER AND SAFE OPERATION. THE VENT-AIR INTAKE SYSTEM MUST ALSO BE PROPERLY RE-INSTALLED AND RESEALED TO Ensure PROPER AND SAFE OPERATION.**

**IMPORTANT: The appliance's venting system should be inspected at least once a year and immediately cleaned if necessary.**

**Warning: Failure to position the parts in accordance with these diagrams or failure to use only parts specifically approved with this appliance may result in property damage or personal injury.**

**CAUTION: ALL JOINTS MUST BE AIR-TIGHT.**

The venting system consists of:

A	Vent Cap
B	Vent Pipe
C	Vent-Air Intake Pipe
D	Rod
E	Nut
F	Outdoor Mounting Plate
G	Silicon-Rubber Ring
H	Tape
i	Insulation

Vent Pipe (B)	Vent-Air Intake Pipe (C)	Rod (D)
Wall Thickness + 3-3/8" (86 mm)	Wall Thickness + 2-1/2" (64 mm)	Wall Thickness + 5-7/8" (149.5 mm)

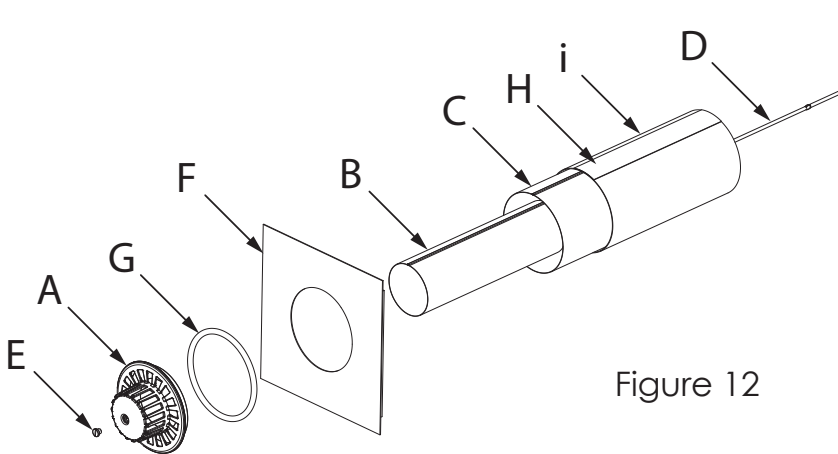


Figure 12

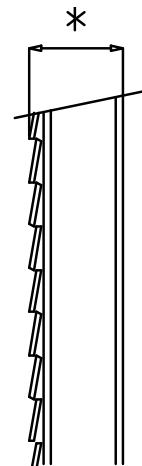


Figure 13

\* MINIMUM  
OF 4 1/2" (115 mm)  
WALL THICKNESS  
  
MAXIMUM  
OF 10" (254 mm)  
WALL THICKNESS

Measure thickness of the wall as shown in figure 13.

- If any of the following are long trim them according to thickness of the wall, (see table 3):
  - (B) vent pipe
  - (C) vent-air intake pipe
  - (i) insulation
  - (D) rod
- The hole at the outside of the wall must be a square of 11-1/4" (286 mm) X 11-1/4" (286 mm) (see figure 14).
- From the outside of the wall, screw the rod (D) slightly onto support located inside the appliance flue outlet.
- Wrap the vent-air intake pipe (C) with the provided insulation (i) (foil side out) and place the provided strip of tape (H) down the seam to secure it.
- Slide the vent pipe (B) and vent-air intake pipe (C) through the hole in the wall, and connect them to the appliance flue outlet and air intake, respectively.
- The outdoor mounting plate (F) and the silicon-rubber ring (G) should be installed between the vent cap (A) and the exterior wall. The outdoor mounting plate (F) must be positioned flush to the wall and with its standoffs inserted into the wall and sealed with a non-hardening mastic (silicone caulk). Position the outdoor mounting plate (F) so that the vent-air intake pipe (C) has a slight downward slope to the outside. The downward slope is necessary to prevent the entry of rainwater.

7. Before attaching the vent cap (A) to the exterior wall, run a bead of non-hardening mastic (silicone caulk) around its outside edge, so as to make a seal between it and the outdoor mounting plate (F) (see figure 15).
8. Slide the vent cap (A) into position and secure into place using the provided nut (E). Tighten nut (E) down until the vent cap (A) leans against the outdoor mounting plate (F) (see figures 14 and 15).

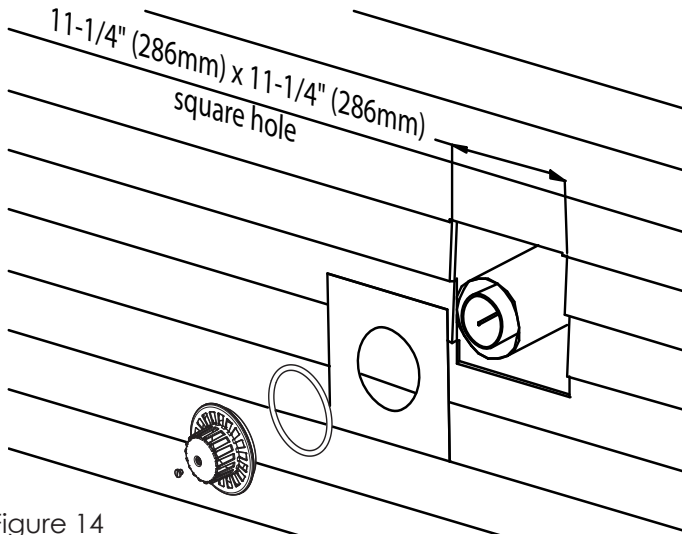


Figure 14

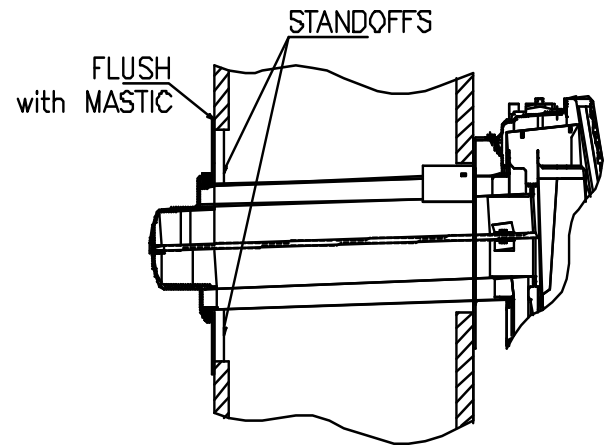


Figure 15

## Installing The Thermostat Sensor

In order to protect the thermostat sensor from any damage during shipping, or while handling it before it is definitely installed, the thermostat sensor has not been attached to its final location in the appliance. So, once the heater is installed, the thermostat sensor must be placed and secured in position. To do so, follow these steps:

1. Separate the front panel of the appliance by removing the two nuts in the bottom and sliding it up as shown in figure 16.
2. Place the thermostat sensor under the right bottom of the bracket and attach it with the provided medium screw (i) that fixes the appliance to the bracket as shown in figures 17 and 18.

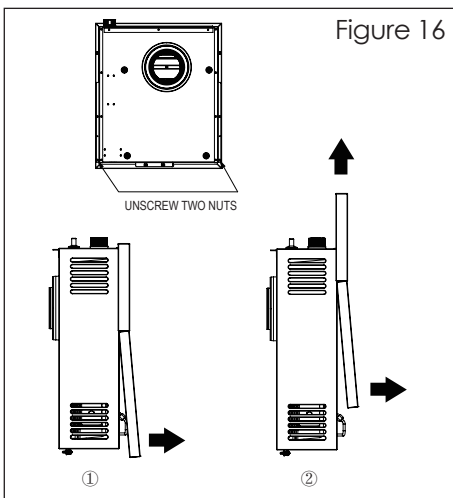


Figure 16

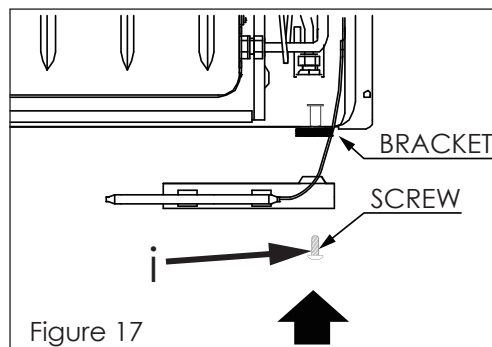


Figure 17

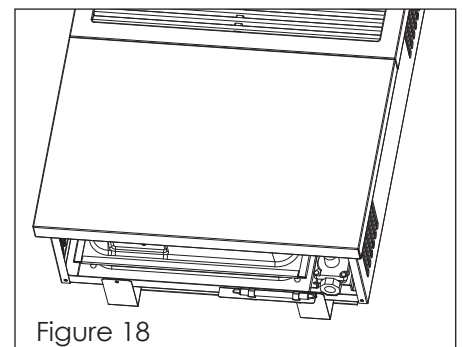


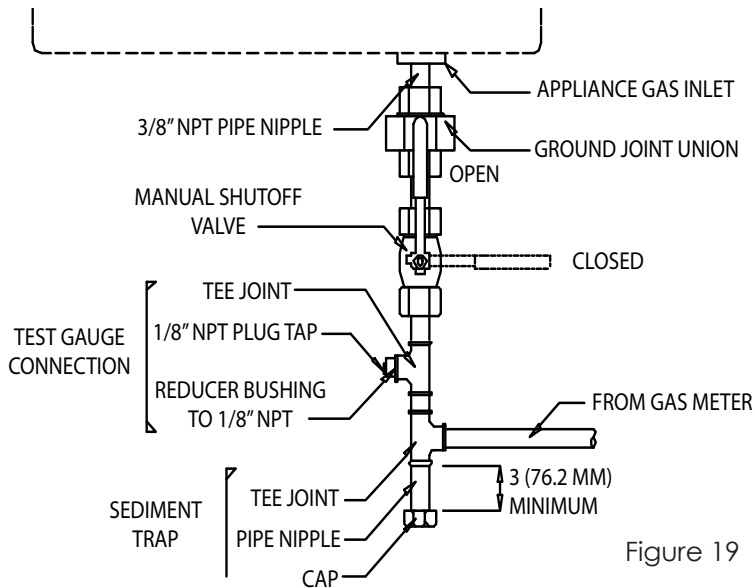
Figure 18



# Gas Piping

## GAS CONNECTION

1. We recommend using only new black iron or steel pipe. CHECK LOCAL CODES.
2. The gas supply line shall be sized and installed to provide a sufficient supply of gas to meet the maximum demand of the heater without undue loss of pressure.
3. The sealant used on the threaded joints of the gas pipe must be a type resistant to the action of L.P. Gas. (This sealant should be applied lightly to main threads to ensure excess sealant does not enter lines.)
4. The supply system must include a manual shut off valve and connection in the line, so the heater can be disconnected for servicing. (See Figure 19).
5. Include a drip leg (trap) and a plugged 1/8" N.P.T. tapping in the line. The tapping should be accessible for test gauge connections upstream of the gas supply connection to the heater.



Pressure	
Nat. Gas	7" W.C to 10.5" W.C.
Nat. Gas	178 mm W.C. to 267 mm W.C.
L.P. Gas	11" W.C. to 14" W.C.
L.P. Gas	280 mm W.C. to 356 mm W.C.

Figure 19

**WARNING:** For L.P. Gas, use PRESSURE REGULATED gas supply. Do not directly connect LP supply tank to the pressure regulator on the heater. The LP supply tank must have its own separate pressure regulator that can reduce the supply tank gas pressure down to a maximum of 14 inches (355 mm) of water column pressure.

**WARNING:** All gas piping and connections must be tested for leaks after installation or servicing. All leaks must be corrected immediately.

**IMPORTANT:** Hold the gas inlet of the appliance with wrench when connecting it to gas piping and/or fittings.

## CHECK AFTER GAS CONNECTION

1. Make sure the control of the heater is in the "OFF" position.
2. Open the manual shut off valve. Test for leaks by applying liquid detergent to all joints. Check all joints from gas meter to thermostat gas valve. (Bubbles forming indicate a gas leak)
3. Correct any leak defect at once.

# Installation

CAUTION: NEVER USE AN OPEN FLAME TO CHECK FOR LEAKS

## PRESSURE TESTING SUPPLY LINE


ATTENTION: This appliance and its appliance main gas valve must be disconnected from the gas supply piping system during any pressure testing of that system at test pressures in excess of ½ psi (3,5 kPa). The appliance must be isolated from the gas supply piping system by closing equipment shutoff valve during any pressure testing of the gas supply piping system at test pressures equal to or less than ½ psi (3,5 kPa).

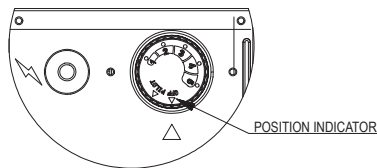
## Operation

WARNING: If you do not follow these instructions exactly, a fire explosion may result causing property damage, personal injury or loss of life.

WARNING: If you do not follow these instructions exactly, a fire explosion may result causing property damage, personal injury or loss of life.

### LIGHTING INSTRUCTIONS

1. STOP! Read the safety information on the attached plate.
2. Check that gas supply to heater is on.
3. Set the thermostat to the lowest setting. (If applicable).
4. Push in gas control knob slightly and turn clockwise  to "OFF" position. Do not force.



Model DVAG 11, DVAG17 and 30

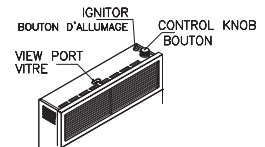
NOTE: Knob cannot be turned from "PILOT" to "OFF" unless knob is pushed in slightly. Do not force.



5. Wait five (5) minutes to clear out any gas. If you then smell gas, STOP! Follow "B" in the safety information above this label. If you don't smell gas, go to the next step.
6. Find pilot. The pilot can be seen through the view port on the top of the appliance.

Pilot Burner




Model DVAG11, DVAV17 and 30



7. Turn gas control knob counterclockwise  to "PILOT". Keep control knob depressed and continuously push the white piezo button. This should cause the spark from the ignitor to light the pilot gas. Keep control knob depressed for ten (10) seconds before releasing. If Pilot does not light, repeat step 6. NOTE: It may be necessary to press for thirty (30) seconds if this is first time heater is connected to the gas supply. If the knob does not pop up when released, stop and immediately call your service technician or gas supplier. If the pilot will not stay lit after several tries, turn the gas control knob to "OFF" and call your service technician or gas supplier.
8. When pilot is lit, turn the control knob counterclockwise  to desired heating level.
9. Set thermostat to desired setting. (If applicable).

### TO TURN OFF GAS TO APPLIANCE

1. Set thermostat to lowest setting. (If applicable).
  2. Turn control knob clockwise  to the "OFF" position. Do not Force.
- CAUTION: Wait five (5) minutes before re-lighting heater.

853265

CAUTION: Do not try to adjust heating levels by using the manual shutoff valve.

### IMPORTANT:

- Do not dry clothes over the heater.
- Do not spray any aerosol near the heater when functioning. Do not store these elements near the appliance.
- Do not touch grill to avoid burns.
- Avoid blocking air inlet and hot air outlet.
- Do not spill water over the heater as it may cause corrosion or damage.
- Do not touch vent cap while heater is operating, to avoid burns.
- If you smell gas, shut off control valve, open doors and windows and do not light any electrical fixture near the heater. Call your Gas Supplier.

NOTE: It is normal for the new wall furnace to give some odor the first time it is burned. This is due to the curing of the paint and any undetected oil from the manufacturing process.

It is recommended to burn a new wall furnace for at least two (2) hours the first time that it is used.

WARNING: Turn off heater and let cool before cleaning.

CAUTION: You must keep control areas and circulating air passageways of heater clean. Inspect these areas of heater before each use. Have heater inspected yearly by a qualified service person. Heater may need more frequent cleaning due to excessive lint from carpeting, bedding material, etc. Verify proper operation after servicing.

## Verify Proper Operation After Servicing.

### CLEANING AND MAINTENANCE

Exterior - Use a soft cloth dampened with a mild soap and water mixture. Wipe the cabinet to remove dust.

Air Passageways - Use a vacuum cleaner or pressurized air to clean.

Vent Cap - Use a vacuum cleaner or pressurized air to clean.

Pilot and Burner - Periodically visually check the pilot and burner flames (view flames through view port).

The correct flame pattern should be viewed by looking through the view port on top of the unit (Fig. 20).

The correct flame pattern of pilot and main burner are shown in the provided figures.

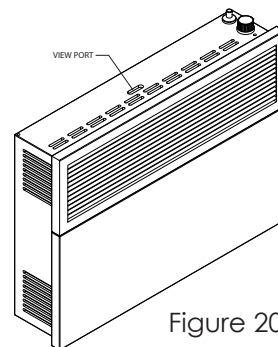


Figure 20

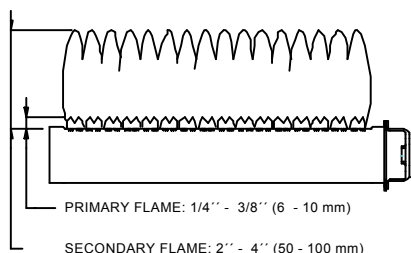


Figure 21

Correct main burner flame pattern

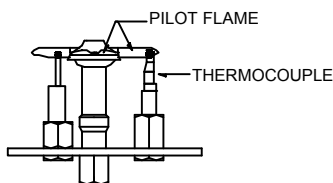


Figure 22

Correct pilot burner flame pattern

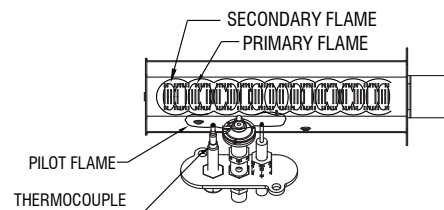


Figure. 23

Correct main burner flame pattern (top view)  
Models DVAG11

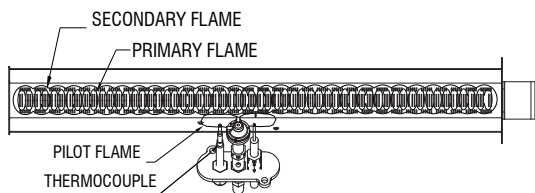


Figure. 24

Correct main burner flame pattern (top view)  
Models DVAG17

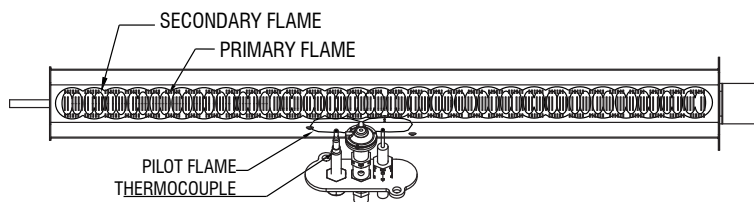


Figure. 25

Correct main burner flame pattern (top view)  
Model DVAG30

## Cleaning The Main Burner Orifice And Main Burner

1. Turn OFF gas supply to the heater.
2. Remove casing assembly.
3. Disconnect burner tubing and remove orifice holder.
4. Apply compressed air the orifice holder assembly to remove dust, lint or spider webs.
5. Apply compressed air through the hole on the combustion chamber wall where the orifice holder was originally located to remove dust, lint or spider webs.
6. As parts are being replaced in reverse order, check for gas leaks at all gas connections before replacing the casing assembly.

# Troubleshooting

**WARNING:** Turn off heater and let cool before servicing. Only a qualified service person should service and repair heater.

OBSERVED PROBLEM	POSSIBLE CAUSE	REMEDY
When ignitor button is pressed, there is no spark at pilot.	Ignitor electrode broken.	Replace ignitor electrode.
	Ignitor electrode not connected to ignitor cable.	Reconnect ignitor cable.
	Ignitor cable pinched or wet.	Free ignitor cable if pinched by any metal or tubing. Keep ignitor cable dry.
	Broken ignitor cable.	Replace ignitor cable.
	Bad piezo ignitor.	Replace piezo ignitor.
When ignitor button is pressed, there is spark at pilot but no ignition.	Gas supply is turned off or manual shutoff valve closed.	Turn on gas supply or open manual shutoff valve.
	Control knob not in PILOT position.	Turn control knob to PILOT position.
	Control knob not pressed in while in pilot position.	Press in control knob while in PILOT position.
	Air in gas lines when installed.	Continue holding down control knob. Repeat igniting operation until air is removed.
	Pilot is clogged.	Clean pilot orifice or replace pilot assembly.
	Gas regulator setting not correct.	Replace gas regulator.
Pilot lights but flame goes out when control knob is released.	Control knob not fully pressed in.	Press in control knob fully.
	Control knob not depressed long enough.	After pilot lights, keep control knob pressed in 30 seconds.
	Manual shutoff valve not fully open.	Fully open manual shutoff valve.
	Thermocouple connection looses at control valve.	Hand tighten until snug, then tighten ¼ turn more.
	Pilot flame not touching thermocouple, which allows couple to cool, causing pilot flame to go out. This problem could be caused by one or both of the following: Low gas pressure. Dirty or partially clogged pilot.	Contact local gas company. Clean pilot or replace pilot assembly.
	Thermocouple damaged.	Replace thermocouple.
	Control valve damaged.	Replace control valve.

OBSERVED PROBLEM	POSSIBLE CAUSE	REMEDY
Burner does not light after pilot is lit.	Burner orifice is clogged.	Clean burner orifice or replace burner orifice.
	Burner orifice diameter is too small.	Replace burner orifice.
	Inlet gas pressure is too low.	Contact local Gas Company.
Delayed ignition of burner.	Manifold pressure is too low.	Contact local Gas Company.
	Burner or pilot orifice is clogged.	Clean burner or pilot orifice or replace it.
Burner backfiring during combustion.	Burner orifice is clogged or damaged.	Clean burner orifice or replace it.
	Gas regulator defective.	Replace gas regulator.
Yellow flame during burner combustion.	Inlet pipe is blocked.	Remove the blockage.
	Incorrect connections of pipes.	Connect pipes according to installation instructions.
	Gas regulator defective.	Replace gas regulator.
Slight smoke or odor during initial operation.	Residues from manufacturing processes.	Problem will stop after a while of operation.

Heater produces a whistling noise when burner is lit.	Turning control knob to HI position when burner is cold.	Turn control knob to LO position and let warm up for a minute.
	Air in gas line.	Operate burner until air is removed from line. Have gas line checked by local Gas Company.
	Dirty or partially clogged burner orifice.	Clean burner orifice or replace it.
Heater produces a clicking/ticking noise just after burner is lit or shut off.	Metal expanding while heating or contracting while cooling.	This is common with most heaters. If noise is excessive, contact qualified service person.
Heater produces unwanted odors.	Gas leak (see WARNING statement below).	Locate and correct all leaks (see Checking Gas Connections section)
Heater shuts off in use.	Low line pressure.	Contact local Gas Company.
	Pilot is partially clogged.	Clean pilot.
Gas odor even when control knob is in OFF position.	Gas leak. See WARNING statement below.	Locate and correct all leaks (see Checking Gas Connections section)
	Control valve defective.	Replace control valve.

**WARNING**  
**If you smell gas:**

- Shut off gas supply.
- Do not try to light any appliance
- Do not touch any electrical switch, do not use any phone in your building.
- Immediately call your gas supplier from a neighbor's phone. Follow the gas supplier's instructions.
- If you cannot reach your gas supplier, call the fire department.

## Service And Maintenance

WARNING: Turn off heater and let cool before servicing. Verify proper operation after servicing.

### **REPLACEMENT PARTS**

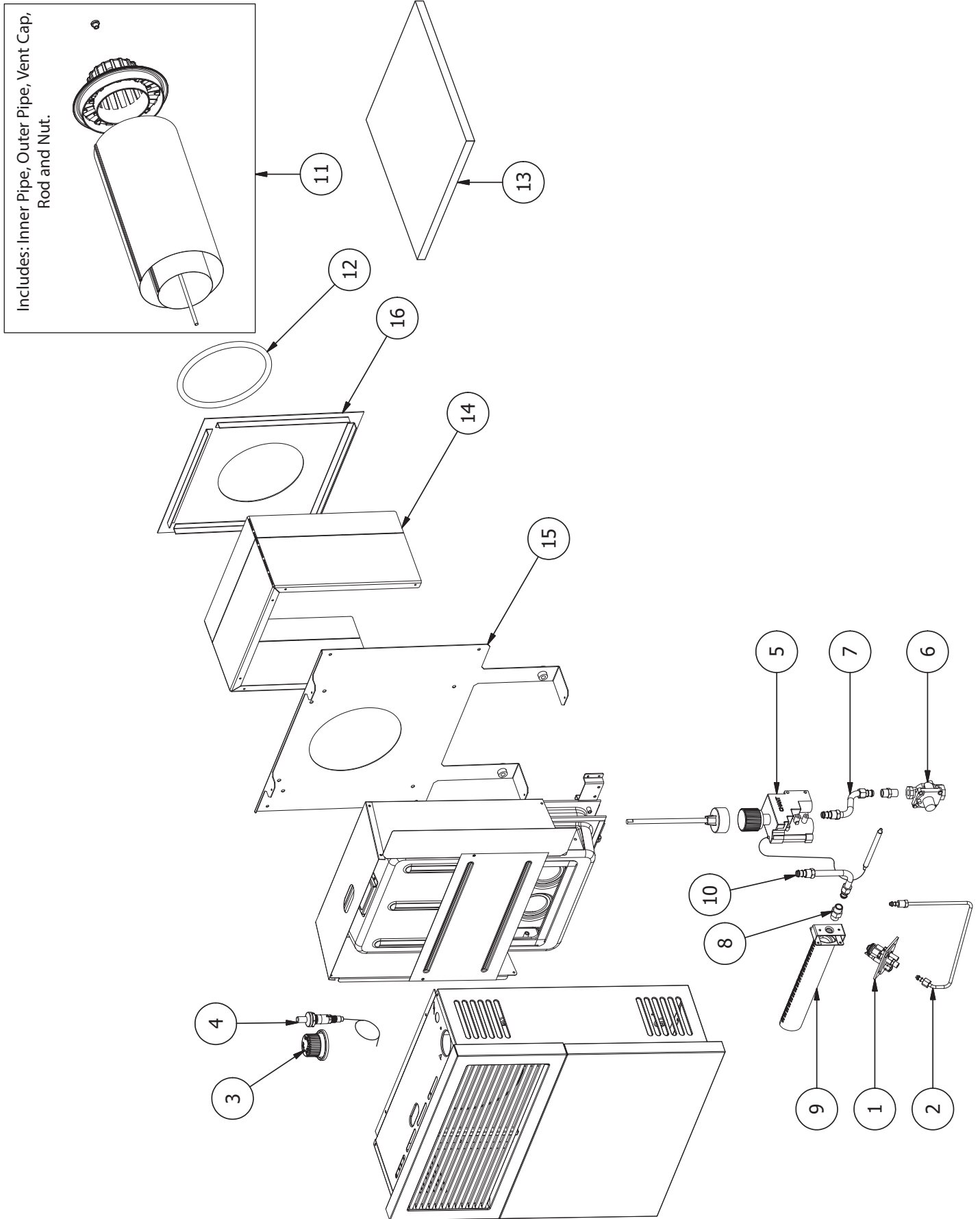
NOTE: In order for you to receive credit for parts replaced under warranty, only original replacements parts must be returned the authorized distributor.

UNDER WARRANTY: Contact authorized dealers of this product. If they are unable to supply original replacement part(s), call the authorized distributor. Be prepared to indicate name, address, model number, and how heater was malfunctioning, type of gas used and purchase date. In most cases, the defective part will be requested to be returned to the authorized distributor.

NOT UNDER WARRANTY: Contact authorized dealers of this product. If they are unable to supply original replacement part(s), call the authorized distributor. Be prepared to indicate model number and replacement part(s) number. When calling the authorized distributor have ready:

- model number of your heater
- the replacement part number

# Replacement Parts





# Replacement Parts

Key	Part #	Description		Model
1	81347	Pilot Assembly	NAT	DVAG11, DVAG17, DVAG30
	81303		LP	DVAG11, DVAG17, DVAG30
2	81342	Pilot Connection Tube		DVAG11
	81343			DVAG17
	81344			DVAG30
3	893041	Control Knob		DVAG11, DVAG17, DVAG30
4	80808	Piezo Ignitor (Supplied with wire)		DVAG11, DVAG17, DVAG30
5	81304	Control Valve (includes Temp Sensor)		DVAG11
	81305			DVAG17
	81306			DVAG30
6	81307	Regulator	NAT	DVAG11
	81308		LP	DVAG11
	81348		NAT	DVAG17
	81349		LP	DVAG17
	81350		NAT	DVAG30
	81351		LP	DVAG30
7	81310	Regulator Connection		DVAG11, DVAG17, DVAG30
8	81309	Orifice - 1.48mm	NAT	DVAG11
	81314	Orifice - 1.0mm	LP	DVAG11
	81315	Orifice - 1.83mm	NAT	DVAG17
	81316	Orifice - 1.24mm	LP	DVAG17
	81340	Orifice - #43(2.26mm)	NAT	DVAG30
	81341	Orifice - #53(1.51mm)	LP	DVAG30
9	81311	Burner		DVAG11
	81312			DVAG17
	81313			DVAG30
10	81345	Burner Connection Tube		DVAG11, DVAG17
	81346			DVAG30
11	893236	"Vent Pipe Kit (Includes inner/outer pipe, vent cap, hardware)"		DVAG11
	893237			DVAG17
	893238			DVAG30
12	88333	Silicone Seal		DVAG11
	88334			DVAG17, DVAG30
13	88312	Vent Blanket		DVAG11, DVAG17, DVAG30
14	28994	Venting Heat Shield		DVAG11, DVAG17, DVAG30
15	28995	Mounting Bracket, Small		DVAG11
	28996	Mounting Bracket, Medium		DVAG17
	28997	Mounting Bracket, Large		DVAG30
16	893045	Outside Mounting Plate		DVAG11
	893046	Outside Mounting Plate		DVAG17, DVAG30
N/S	83990	Hardware Kit		DVAG11, DVAG17, DVAG30

# Service Record

It is recommended that your heating system is serviced regularly and that the appropriate Service Interval Record is completed.

## **SERVICE PROVIDER**

Before completing the appropriate Service Record below, please ensure you have carried out the service as described in the manufacturer's instructions. Always use the manufacturer's specified spare part when replacement is necessary.

<b>Service 01</b>	Date: _____
Engineer Name: _____	
License No.: _____	
Company: _____	
Telephone No.: _____	
Stove Inspected: <input type="checkbox"/>	Chimney Swept: <input type="checkbox"/>
Items Replaced: _____	

<b>Service 02</b>	Date: _____
Engineer Name: _____	
License No.: _____	
Company: _____	
Telephone No.: _____	
Stove Inspected: <input type="checkbox"/>	Chimney Swept: <input type="checkbox"/>
Items Replaced: _____	

<b>Service 03</b>	Date: _____
Engineer Name: _____	
License No.: _____	
Company: _____	
Telephone No.: _____	
Stove Inspected: <input type="checkbox"/>	Chimney Swept: <input type="checkbox"/>
Items Replaced: _____	

<b>Service 04</b>	Date: _____
Engineer Name: _____	
License No.: _____	
Company: _____	
Telephone No.: _____	
Stove Inspected: <input type="checkbox"/>	Chimney Swept: <input type="checkbox"/>
Items Replaced: _____	

<b>Service 05</b>	Date: _____
Engineer Name: _____	
License No.: _____	
Company: _____	
Telephone No.: _____	
Stove Inspected: <input type="checkbox"/>	Chimney Swept: <input type="checkbox"/>
Items Replaced: _____	

<b>Service 06</b>	Date: _____
Engineer Name: _____	
License No.: _____	
Company: _____	
Telephone No.: _____	
Stove Inspected: <input type="checkbox"/>	Chimney Swept: <input type="checkbox"/>
Items Replaced: _____	

<b>Service 07</b>	Date: _____
Engineer Name: _____	
License No.: _____	
Company: _____	
Telephone No.: _____	
Stove Inspected: <input type="checkbox"/>	Chimney Swept: <input type="checkbox"/>
Items Replaced: _____	

<b>Service 08</b>	Date: _____
Engineer Name: _____	
License No.: _____	
Company: _____	
Telephone No.: _____	
Stove Inspected: <input type="checkbox"/>	Chimney Swept: <input type="checkbox"/>
Items Replaced: _____	

# How To Order Repair Parts / Commande De Pièces De

This manual will help you obtain efficient, dependable service from your heater, and enable you to order repair parts correctly.

Keep this manual in a safe place for future reference.

When writing, always give the full model number which is on the nameplate attached to the heater.

When ordering repair parts, always give the following information as shown in this list /

Ce guide vous aidera à obtenir un service efficace et fiable de l'appareil de chauffage et vous permettra de commander correctement des pièces de rechange.

Veillez conserver ce guide dans un endroit sûr à des fins de référence.

Lorsque vous nous écrivez, veuillez indiquer le numéro complet du modèle qui figure sur la plaque signalétique de l'appareil de chauffage.

Lorsque vous commandez des pièces de rechange, veuillez toujours fournir les renseignements suivants, tels que montrés dans cette nomenclature:

1. The part number / Le numéro de pièce \_\_\_\_\_

2. The part description / Une description de la pièce \_\_\_\_\_

3. The model number / Le numéro de modèle \_\_\_\_\_

4. The serial number / Le numéro de série \_\_\_\_\_

# Enregistrement De Service

Il est recommandé que votre système de chauffage est desservi régulièrement et que le Service Interval enregistrement approprié est terminée.

## FURNISSEUR DE SERVICES

Avant de terminer l'enregistrement de service approprié ci-dessous, s'il vous plaît vous assurer que vous avez effectué le service tel que décrit dans le les instructions du fabricant. Toujours utiliser pièce de rechange indiquée par le fabricant lors de remplacement est nécessaire.

_____	<b>Service de 01</b>
_____	Date:
_____	Nom de l'ingénieur:
_____	N° de licence:
_____	Compagnie:
_____	N° de téléphone:
_____	Poêle inspecté: <input type="checkbox"/> Cheminée balayée: <input type="checkbox"/>
_____	Articles Remplacé: _____

_____	<b>Service de 02</b>
_____	Date:
_____	Nom de l'ingénieur:
_____	N° de licence:
_____	Compagnie:
_____	N° de téléphone:
_____	Poêle inspecté: <input type="checkbox"/> Cheminée balayée: <input type="checkbox"/>
_____	Articles Remplacé: _____

_____	<b>Service de 03</b>
_____	Date:
_____	Nom de l'ingénieur:
_____	N° de licence:
_____	Compagnie:
_____	N° de téléphone:
_____	Poêle inspecté: <input type="checkbox"/> Cheminée balayée: <input type="checkbox"/>
_____	Articles Remplacé: _____

_____	<b>Service de 04</b>
_____	Date:
_____	Nom de l'ingénieur:
_____	N° de licence:
_____	Compagnie:
_____	N° de téléphone:
_____	Poêle inspecté: <input type="checkbox"/> Cheminée balayée: <input type="checkbox"/>
_____	Articles Remplacé: _____

_____	<b>Service de 05</b>
_____	Date:
_____	Nom de l'ingénieur:
_____	N° de licence:
_____	Compagnie:
_____	N° de téléphone:
_____	Poêle inspecté: <input type="checkbox"/> Cheminée balayée: <input type="checkbox"/>
_____	Articles Remplacé: _____

_____	<b>Service de 06</b>
_____	Date:
_____	Nom de l'ingénieur:
_____	N° de licence:
_____	Compagnie:
_____	N° de téléphone:
_____	Poêle inspecté: <input type="checkbox"/> Cheminée balayée: <input type="checkbox"/>
_____	Articles Remplacé: _____

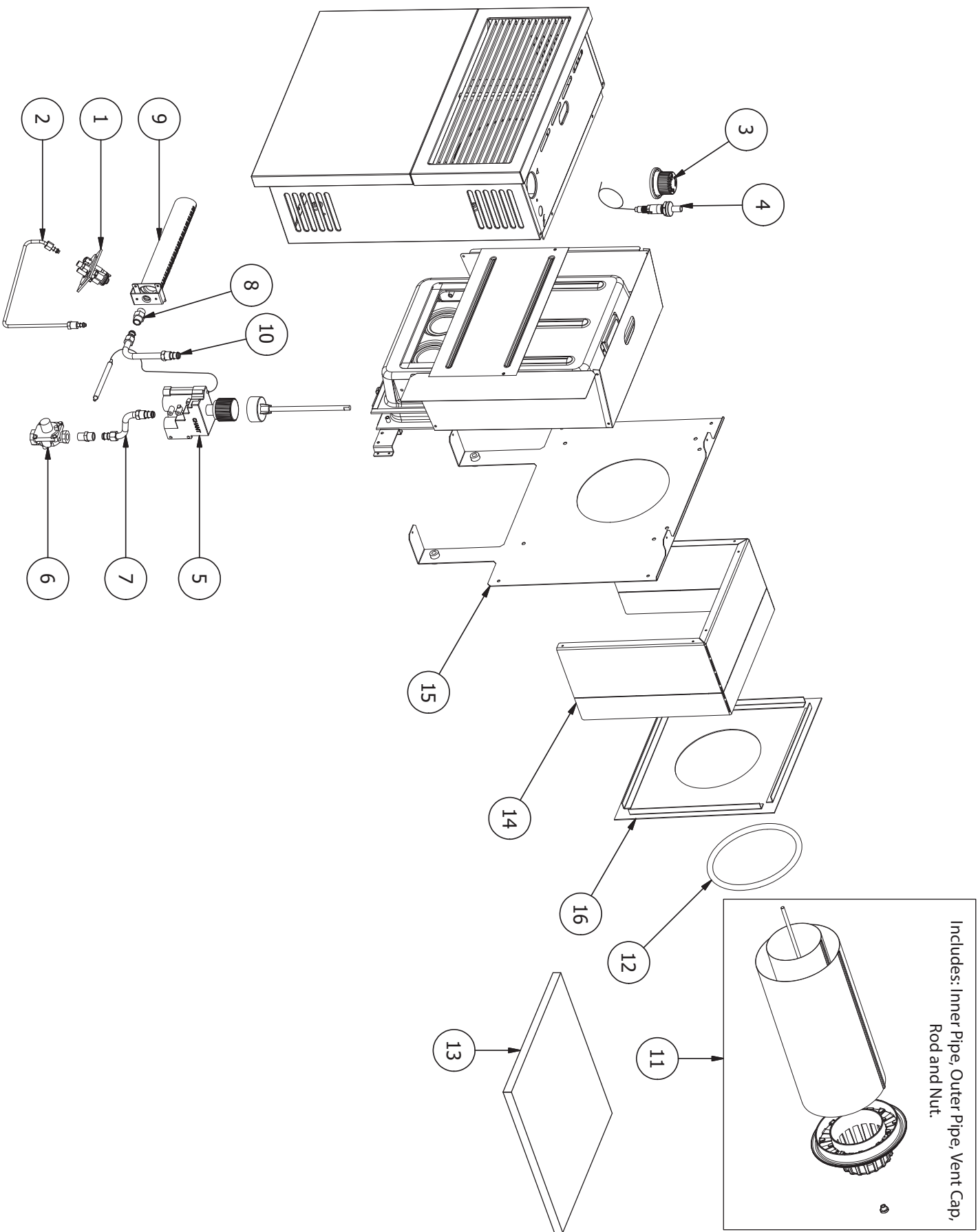
_____	<b>Service de 07</b>
_____	Date:
_____	Nom de l'ingénieur:
_____	N° de licence:
_____	Compagnie:
_____	N° de téléphone:
_____	Poêle inspecté: <input type="checkbox"/> Cheminée balayée: <input type="checkbox"/>
_____	Articles Remplacé: _____

_____	<b>Service de 08</b>
_____	Date:
_____	Nom de l'ingénieur:
_____	N° de licence:
_____	Compagnie:
_____	N° de téléphone:
_____	Poêle inspecté: <input type="checkbox"/> Cheminée balayée: <input type="checkbox"/>
_____	Articles Remplacé: _____

# Pièces de rechange

Ciè	Partie #	Description	Modèle
1	81347	Assemblage pilote	DVAG11, DVAG17, DVAG30
	81303		DVAG11, DVAG17, DVAG30
2	81342	TUBE de connexion pilote	DVAG11
	81343		DVAG17
	81344		DVAG30
3	893041	Bouton de contrôle	DVAG11, DVAG17, DVAG30
4	80808	Allumeur piézo (fourni avec fil)	DVAG11, DVAG17, DVAG30
5	81304	Vanne de contrôle (comprend le capteur de température)	DVAG11
	81305		DVAG17
	81306		DVAG30
6	81307	Régulateur	NAT
	81308		LP
	81307		NAT
	81308		DVAG17
	81348		NAT
	81349		LP
7	81350	Connexion du régulateur	DVAG11, DVAG17, DVAG30
	81351	Orifice - NAT 1,48 mm	DVAG11
	81314	Orifice - 1,0 mm LP	DVAG11
	81315	Orifice - 1,83 mm NAT	DVAG17
	81316	Orifice - 1,24 mm LP	DVAG17
	81340	Orifice - NAT n° 43 (2,26 mm)	DVAG30
	81341	Orifice - # 53 (1,51 mm) LP	LP
9	81311	Brûleur	DVAG11
	81312		DVAG17
	81313		DVAG30
10	81345	TUBE de connexion du brûleur	DVAG11, DVAG17
	81346		DVAG30
	893236		Kit de tuyau de ventilation (comprend le tuyau intérieur / extérieur, le capuchon de ventilation, le matériel)
12	88333	Joint en silicone	DVAG11
	88334		DVAG17, DVAG30
13	88312	Couverture d'évent	DVAG11, DVAG17, DVAG30
14	28994	Bouclier thermique de ventilation	DVAG11, DVAG17, DVAG30
15	28995	Support de montage, petit	DVAG11
	28996	Support de montage, moyen	DVAG17
	28997	Support de montage, grand	DVAG30
16	893045	Plaque de montage extérieure	DVAG11
	893046	Plaque de montage extérieure	DVAG17, DVAG30
N/S	83990	Kit matériel	DVAG11, DVAG17, DVAG30

# Pièces de rechange



**REMARQUE :** Afin que vous receviez un crédit pour les pièces sous garantie remplacées, les pièces d'origine doivent être retournées au distributeur autorisé.

**Sous Garantie :** Communiquer avec les détaillants autorisés de ce produit. S'ils ne sont pas en mesure de vous fournir les pièces de remplacement d'origine, téléphonez au distributeur autorisé. Soyez prêts à indiquer votre nom, votre adresse, le numéro du modèle, une description du mauvais fonctionnement du radiateur, le type de gaz utilisé et la date d'achat. Dans la plupart des cas, la pièce défectueuse devra être retournée au distributeur autorisé.

**PAS SOUS GARANTIE :** Communiquer avec les détaillants autorisés de ce produit. S'ils ne sont pas en mesure de vous fournir les pièces de remplacement d'origine, téléphonez au distributeur autorisé. Soyez prêts à donner le numéro du modèle et les numéros de remplacement des pièces. Lorsque vous téléphonez au distributeur autorisé, ayez en votre possession :

- le numéro de modèle de votre radiateur
- le numéro de la pièce de rechange

**PIÈCES DE RECHANGE**

**AVERTISSEMENT :** Éteindre le radiateur et le laisser refroidir avant l'entretien. Vérifier que l'appareil fonctionne bien après l'entretien.

**Entretien**

**AVERTISSEMENT**

**Si vous décelez une odeur de gaz :**

- Coupez l'alimentation en gaz.
- N'allumez aucun appareil
- N'appuyez sur aucun interrupteur électrique et n'utilisez aucun téléphone dans le bâtiment.
- Rendez-vous chez votre voisin et appelez immédiatement votre fournisseur de gaz. Suivez les instructions du fournisseur de gaz.
- Si vous n'arrivez pas à joindre votre fournisseur de gaz, appelez le service d'incendie.

Il y a un retour de flamme dans le brûleur lors de la combustion.	Régulateur de gaz défectueux. Remplacez le régulateur de gaz.	Nettoyez l'orifice du brûleur ou remplacez-le.
Flamme jaune lors de la combustion du brûleur.	Mauvaise connexion des tuyaux. L'entrée tuyau est bloquée. Remplacez le régulateur de gaz défectueux.	Connectez les tuyaux selon les instructions d'installation.
Léger dégagement de fumée ou d'odeur pendant la première utilisation.	Résidus du processus de fabrication.	Le problème cessera après quelque temps de fonctionnement.
L'appareil de chauffage produit un sifflement lorsque le brûleur est allumé.	Air dans la conduite de gaz.	Utilisez le brûleur jusqu'à ce que l'air soit entièrement sorti. Faites vérifier la conduite de gaz par une entreprise de gaz locale.
L'appareil de chauffage produit un cliquetis ou un bruit juste après que le brûleur soit éteint.	Le métal se dilate sous la chaleur et se contracte lorsqu'il refroidit.	Ceci est commun chez la plupart des appareils de chauffage. Si le bruit est excessif, contactez un technicien qualifié.
Le radiateur produit des odeurs indésirables.	Fuite de gaz (voir l'AVERTISSEMENT ci-dessous).	Localisez et corrigez les fuites (consultez la section sur la vérification des connexions de gaz)
Le radiateur s'éteint lorsqu'il est utilisé.	Faible pression d'alimentation.	Communiquez avec l'entreprise de gaz locale.
La vanne de contrôle est défectueuse.	La vanne de contrôle est défectueuse.	Nettoyez la vanne.
Odeur de gaz, même lorsque le bouton de commande est à Off.	Fuite de gaz. Voir l'AVERTISSEMENT ci-dessous.	Localisez et corrigez les fuites (consultez la section sur la vérification des connexions de gaz)

# Dépannage

AVERTISSEMENT : Eteindre le radiateur et le laisser refroidir avant l'entretien. Seul un technicien qualifié devrait entretenir et réparer le radiateur.

PROBLÈME OBSERVÉ	CAUSE POSSIBLE	SOLUTION
Il n'y a aucune étincelle sur la veilleuse lorsqu'on appuie sur le bouton de l'amorçeur.	L'électrode de l'amorçeur n'est pas connectée au câble de l'amorçeur. L'électrode de l'amorçeur est brisée.	Remplacer l'électrode de l'amorçeur. Reconnecter le câble de l'amorçeur.
Il y a une étincelle sur la veilleuse lorsqu'on appuie sur le bouton de l'amorçeur, mais rien ne s'allume.	Le bouton de commande n'est pas à PILOT (VEILLEUSE). Le bouton de commande ne peut pas être pressé lorsqu'il se trouve en position PILOT (VEILLEUSE). Air dans la conduite de gaz lors de l'installation. La veilleuse est encombrée.	Tournez le bouton de commande à PILOT (VEILLEUSE). Appuyez sur le bouton de commande lorsqu'il se trouve en position PILOT (VEILLEUSE). Continuez à appuyer sur le bouton de commande. Répétez l'opération d'ignition jusqu'à ce que l'air soit entièrement sorti. Nettoyez l'orifice de la veilleuse ou remplacez l'assemblage de la veilleuse.
La veilleuse s'allume, mais la flamme s'éteint lorsque le bouton de commande est relâché.	Le paramètre du régulateur de gaz n'est pas correct. Le bouton de commande ne peut pas être enfoncé au complet. Le bouton de commande n'a pas été pressé assez longtemps. La vanne d'arrêt manuel n'est pas complètement ouverte.	Replacé le régulateur de gaz. Enfoncé le bouton de commande complètement. Dès que la veilleuse s'allume, gardez le bouton de commande enfoncé pendant 30 secondes. Ouvrez la vanne d'arrêt manuel complètement. Resserez à la main jusqu'à ce que la connexion soit bien serrée, puis effectuez 1/4 de tour de plus.
La flamme de la veilleuse ne touche pas que celui-ci refroidit et éteint la flamme. Ce problème pourrait être causé par l'une ou l'autre des situations suivantes, ou par les deux : Faible pression du gaz, Veilleuse entièrement ou en partie bouchée.	Thermocouple endommagé.	Nettoyez la veilleuse ou remplacez l'assemblage de la veilleuse. Remplacer le thermocouple.
La vanne de contrôle est endommagée.	La vanne de contrôle est endommagée.	Replacer la vanne de contrôle.

PROBLÈME OBSERVÉ	CAUSE POSSIBLE	SOLUTION
Le brûleur ne s'allume pas après que la veilleuse se soit allumée.	L'orifice du brûleur est bouché. Le diamètre de l'orifice du brûleur est trop petit.	Nettoyez l'orifice du brûleur ou remplacez-le. Remplacez l'orifice du brûleur.
Allumage de la veilleuse retardé	La pression d'entrée du gaz est trop faible. La pression du collecteur est trop basse.	Communiquez avec l'entreprise de gaz locale. Communiquez avec l'entreprise de gaz locale.
L'orifice du brûleur ou de la veilleuse est bouché.	Nettoyez l'orifice du brûleur ou de la veilleuse ou remplacez-le.	



REMARQUE: Il est normal que les nouvelles fournaises murales aient une certaine odeur lorsqu'elles sont allumées pour la première fois. Cela est dû au séchage de la peinture et d'huiles qui n'ont pas été détectées lors du processus de fabrication. Il est recommandé de laisser la fournaise murale allumée pendant au moins deux (2) heures lors de la première utilisation.

AVERTISSEMENT : Éteindre le radiateur et le laisser refroidir avant de le nettoyer.

ATTENTION : Vous devez maintenir les commandes, le brûleur et les passages d'air de circulation du radiateur propres. Inspectez ces zones de chauffage avant chaque utilisation. L'inspection devrait être effectuée par un technicien qualifié. Un radiateur pourrait nécessiter un entretien plus fréquent en raison des peluches de carpettes, de la literie, etc. Vérifier que l'appareil fonctionne bien après l'entretien.

## Vérifier que l'appareil fonctionne bien après l'entretien.

### NETTOYAGE ET ENTRETIEN

Extérieur : à l'aide d'un chiffon doux humide à l'aide d'un mélange d'eau et de savon doux. Essayez le caisson pour enlever la poussière. Canaux de circulation d'air : utilisez un aspirateur ou de l'air sous pression pour effectuer le nettoyage.

Couvercle de ventilation : utilisez un aspirateur ou de l'air sous pression pour effectuer le nettoyage.

Veilleuse et brûleur : effectuez une inspection visuelle périodique de la veilleuse et de la flamme du brûleur (regardez les flammes à travers le hublot d'observation). La configuration correcte de la flamme devrait être aperçue en regardant à travers le hublot d'observation situé sur l'appareil (figure 20).

Le schéma de flamme correct de la veilleuse et du brûleur principal est indiqué dans les figures fournies.

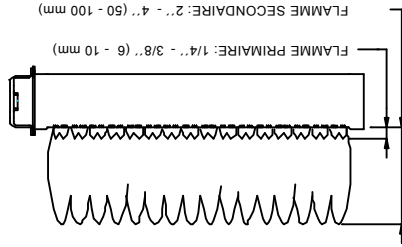


Figure 21  
Configuration correcte de la flamme principale du brûleur

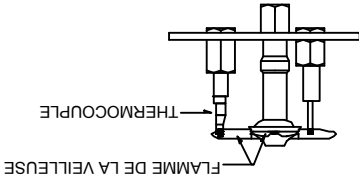


Figure 22  
Configuration correcte de la flamme de la veilleuse du brûleur

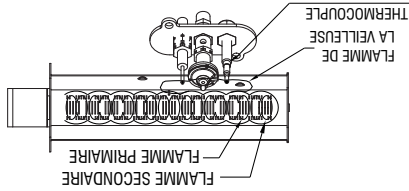


Figure 23  
Configuration correcte de la flamme principale du brûleur (vue en plongée)

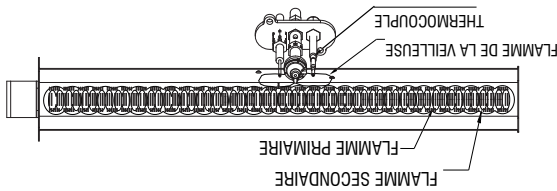


Figure 24  
Configuration correcte de la flamme principale du brûleur (vue en plongée)  
Modèles DVAG17

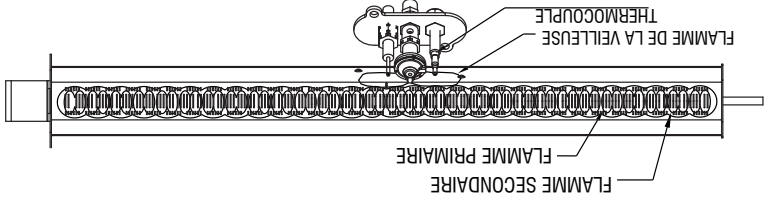


Figure 25  
Configuration correcte de la flamme principale u brûleur (vue en plongée)  
Modèle DVAG30

## Nettoyage de l'orifice du brûleur principal et du brûleur principal

1. FERMEZ l'approvisionnement en gaz du radiateur.
2. Retirez la couverture de l'assemblage.
3. Déconnectez le tubage du brûleur et retirez le support de l'orifice.
4. Poussez de l'air comprimé dans le support de l'orifice pour enlever la poussière, les peluches ou les toiles d'araignées.
5. Poussez de l'air comprimé dans les trous du mur de la chambre de combustion où le support de l'orifice se trouvait pour enlever la poussière, les peluches ou les toiles d'araignées.
6. Comme les pièces sont replacées en ordre inverse, vérifiez les fuites de gaz de toutes les connexions avant de replacer la couverture de l'assemblage.

IMPORTANT : Maintenez l'entrée de gaz de l'appareil avec une clé à molette lors de la connexion à un tuyau de gaz et/ou lors des raccords.

## VÉRIFICATION APRÈS LA CONNEXION DES TUYAUX DE GAZ

1. Assurez-vous que la commande du radiateur est sur la position « OFF » (fermer).
2. Ouvrez la valve de fermeture manuelle. Vérifiez s'il y a des fuites en appliquant du détergent liquide sur les joints. Vérifiez tous les joints du compteur de gaz à la vanne de gaz thermostatique. (Si des bulles se forment, c'est qu'il y a une fuite.)
3. Corrigez les défauts en même temps.

## Installation

ATTENTION : N'UTILISEZ JAMAIS DE FLAMME OUVERTE POUR VÉRIFIER LES FUITES


## TEST DE PRESSION DE LA CONDUITE D'ALIMENTATION

ATTENTION : Cet appareil et la vanne de gaz principale de celui-ci doivent être déconnectés du système de conduite d'alimentation en gaz lors des tests de pression si la pression excède 3,5 kPa ( 1/2 psi). Cet appareil doit être déconnecté du système de conduite d'alimentation en gaz en fermant la vanne d'arrêt lors des tests de pression si la pression excède 3,5 kPa ( 1/2 psi).

## Fonctionnement

AVERTISSEMENT : Si vous ne respectez pas scrupuleusement ces instructions, une explosion pourrait causer des dommages à la propriété, des blessures et même la mort.

### INSTRUCTIONS D'ALLUMAGE

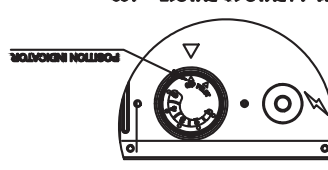


1. ARRÊT! Lisez les informations de sécurité sur la plaque attachée.

2. Assurez-vous que l'alimentation en gaz du radiateur est allumée.

3. Placez le thermostat à la plus faible température. (Le cas échéant).

4. Appuyez doucement sur le bouton de commande du gaz et tournez-le en position OFF (ARRÊT). Ne le forcez pas.



1. ARRÊT! Lisez les informations de sécurité sur la plaque attachée.

2. Assurez-vous que l'alimentation en gaz du radiateur est allumée.

3. Placez le thermostat à la plus faible température. (Le cas échéant).

4. Appuyez doucement sur le bouton de commande du gaz et tournez-le en position OFF (ARRÊT). Ne le forcez pas.

### COUPEZ L'ALIMENTATION EN GAZ DE L'APPAREIL.

7. Tournez le bouton de commande du gaz dans le sens anti-horaire.

REMARQUE : « VEILLEUSE ». Maintenez le bouton de commande enfoncé et appuyez de façon continue sur le bouton piézo blanc. Cela devrait causer une étincelle dans l'amorceur afin d'allumer le gaz de la veilleuse. Gardez le bouton de commande enfoncé pendant dix (10) secondes avant de le relâcher. Si la veilleuse ne s'allume pas, répétez l'étape 6. REMARQUE : Il pourrait être nécessaire d'appuyer sur le bouton pendant trente (30) secondes, si le radiateur est connecté à l'alimentation en gaz pour la première fois. Si le bouton ne se déclenche pas lorsque vous le relâchez, arrêtez immédiatement et téléphonez au technicien d'entretien ou au fournisseur de gaz. Si la veilleuse ne reste pas allumée après plusieurs essais, faites passer le bouton de commande du gaz en position OFF (ARRÊT) et communiquez avec votre technicien d'entretien ou avec le fournisseur de gaz.

8. Lorsque la veilleuse est allumée, tournez le bouton de contrôle du gaz au réglage de chauffage désiré.

9. Placez le thermostat au paramètre souhaité. (Au besoin) hublot d'observation situé sur l'appareil.

6. Trouvez la veilleuse. Vous pouvez observer la veilleuse à travers le hublot d'observation situé sur l'appareil.

5. Attendez cinq (5) minutes afin de dissiper tout gaz. Si vous décelez une odeur de gaz, ARRÊTEZ! Suivez « B » dans les informations de sécurité se trouvant au-dessus de cette étiquette. Si vous ne sentez rien, passez à l'étape suivante.

REMARQUE : Vous ne pouvez pas faire passer le bouton PILOT (VEILLEUSE) à OFF (ARRÊT) à moins d'appuyer légèrement sur ce dernier. Ne le forcez pas.

2. Tournez le bouton de commande en sens horaire à la position « OFF ». Ne le forcez pas.

ATTENTION : Attendez cinq (5) minutes afin de rallumer le radiateur.

8533265

ATTENTION : Ne tentez pas d'ajuster les niveaux à l'aide de la vanne d'arrêt manuel.

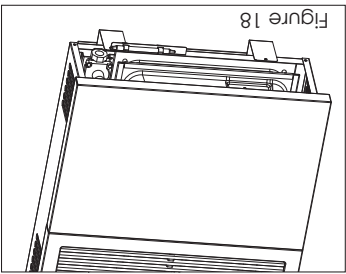
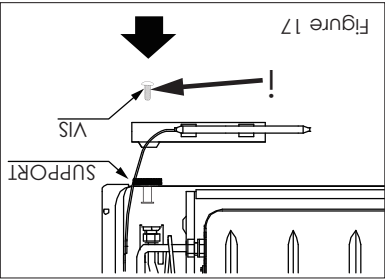
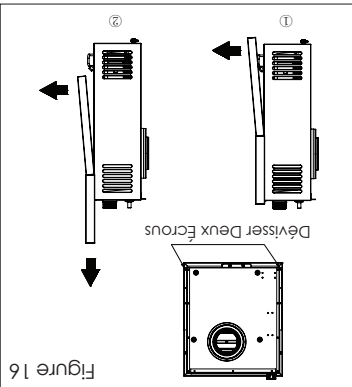
IMPORTANT :

- Ne faites pas sécher de vêtements sur le radiateur.
- Ne pulvérisiez pas d'aérosol près du radiateur.
- L'appareil.
- Afin d'éviter les brûlures, ne touchez pas la grille.
- Évitez de bloquer les entrées d'air et les sorties d'air chaud.
- Ne renversez pas d'eau sur le radiateur, puisque cela pourrait entraîner la corrosion ou des dommages.
- Afin d'éviter les brûlures lorsque le radiateur est en marche, ne touchez pas le couvercle de ventilation.
- Si vous décelez une odeur de gaz, ouvrez les portes et les fenêtres et n'allumez aucun appareil électrique près du radiateur. Appelez votre fournisseur de gaz.

# Installation de la sonde thermostatique

Afin de la protéger des dommages lors du transport et de l'installation, la sonde thermostatique n'est pas fixée à son emplacement final dans l'appareil. C'est pourquoi, une fois le radiateur installé, la sonde thermostatique doit être positionnée et fixée bien en place. Pour ce faire, il faut suivre les étapes suivantes :

1. Retirer le panneau avant de l'appareil en dévissant les deux écrous situés en dessous, puis glisser le panneau vers le haut comme le montre la figure 16.
2. Placer le capteur du thermostat sous le bas à droite du support et fixez-le avec la vis moyenne (ii) qui fixent l'appareil au support comme indiqué dans les figures 17 et 18



## Tuyauterie de gaz

### CONNEXION DES TUYAUX DE GAZ

1. Nous recommandons de n'utiliser que des tuyaux en fer noir ou en acier. CONSULTEZ LES CODES LOCAUX.
2. La conduite d'alimentation en gaz doit être dimensionnée et installée afin de fournir un débit suffisant, tout en respectant la demande maximale du radiateur et en ne causant aucune perte de pression excessive.
3. Le scellément à utiliser sur les joints filetés ou le tuyau de gaz doit être d'un type résistant à l'action du gaz de pétrole liquéfié. (Le scellément doit être appliqué légèrement aux filets mâles pour assurer qu'aucun excédant de scellément ne s'infiltra dans les tuyaux.)
4. Le système d'alimentation doit inclure une valve de fermeture manuelle et de raccordement afin que le radiateur puisse être déconnecté à des fins d'entretien. (Voir la figure 19).
5. Ajoutez un collecteur d'écoulement (trappe), ainsi qu'un taraud de pression et de température normale de 1/8 po au raccord. Le taraud devrait être accessible pour tester les connexions des jauges en amont de la connexion entre l'alimentation en gaz et le radiateur.

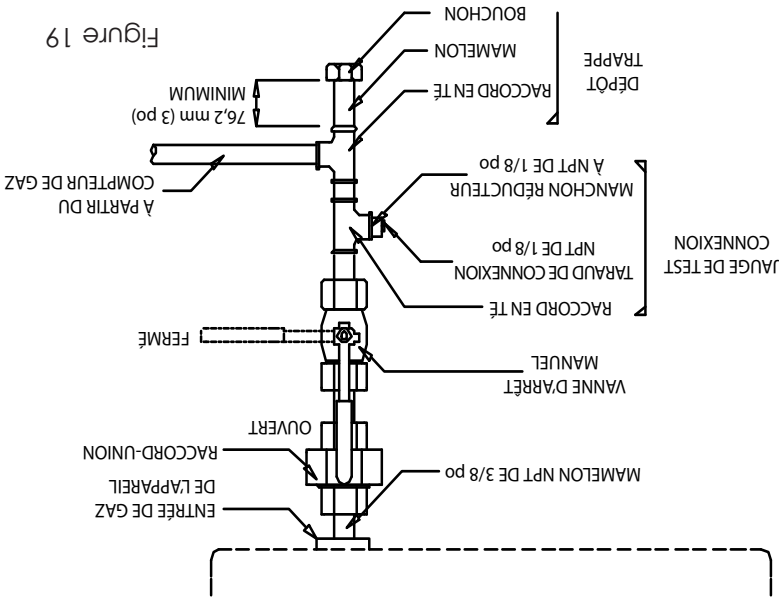


Figure 19

AVERTISSEMENT : Pour le gaz de pétrole liquéfié, utilisez un approvisionnement en gaz dont la pression est RÉGULÉE. NE connectez pas le réservoir d'approvisionnement en gaz de pétrole liquéfié directement au régulateur du radiateur. Le réservoir d'approvisionnement en gaz de pétrole liquéfié doit posséder son propre régulateur de pression pouvant réduire la pression dans le réservoir d'approvisionnement en gaz jusqu'à un maximum de 355 mm (14 po de colonne d'eau).

Pression	
Gaz nat.	Entre 7 po et 10,5 po de colonne d'eau.
Gaz nat.	Entre 178 mm et 267 mm de colonne d'eau.
Gaz de pétrole liquéfié	Entre 11 po et 14 po de colonne d'eau.
Gaz de pétrole liquéfié	Entre 280 mm et 356 mm de colonne d'eau.

AVERTISSEMENT : Tous les tuyaux de gaz et toutes les connexions doivent être soumis à une épreuve d'étanchéité après l'installation ou l'entretien. Toutes les fuites doivent être corrigées immédiatement.

**IMPORTANT :** Le système de ventilation de l'appareil doit être inspecté au moins une fois par année et nettoyé immédiatement si nécessaire.

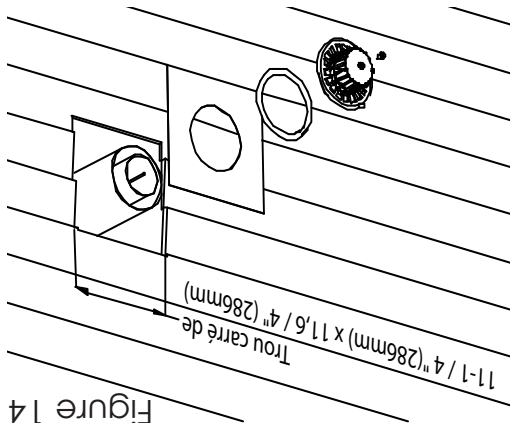
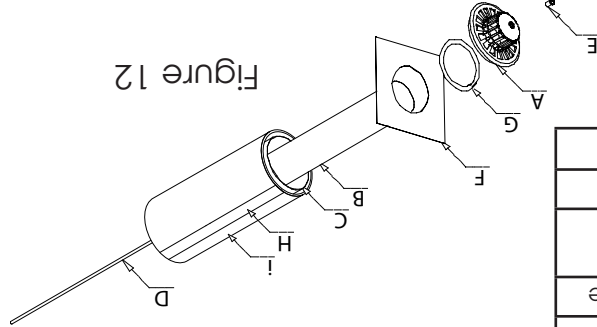
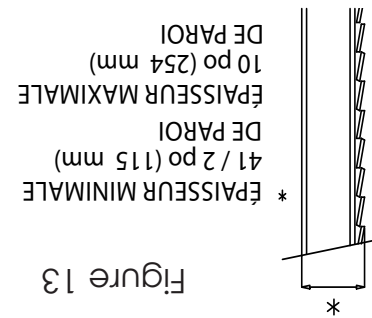
Mise en garde : Si les pièces ne sont pas positionnées comme l'affichent les diagrammes, ou si des pièces autres que celles approuvées pour cet appareil sont utilisées, des blessures corporelles ou des dommages matériels peuvent survenir.

**IMPORTANT :** LE SYSTÈME DE VENTILATION ET D'ENTRÉE D'AIR DOIT ÊTRE CORRECTEMENT INSTALLÉ POUR ASSURER UNE UTILISATION CORRECTE ET ADEQUATE. DE PLUS, LE SYSTÈME DE VENTILATION ET D'ENTRÉE D'AIR DOIT ÊTRE CORRECTEMENT RÉINSTALLÉ ET RESCELLÉ POUR ASSURER UNE UTILISATION CORRECTE ET ADEQUATE.

**AVERTISSEMENT :** TOUS LES JOINTS DOIVENT ÊTRE ÉTANCHES À L'AIR.

Tableau 3 Longueurs des tuyaux et de la tige

Tuyau de ventilation (A)	Tuyau de ventilation (B)	Tuyau de ventilation et d'entrée d'air (C)	Tige (D)
Bouchon d'aération	Tuyau de ventilation	Tuyau d'admission d'air	Barre
E	Écrou	F	Plaque de montage extérieure
G	Anneau en silicone et caoutchouc	H	Ruban
I	Isolation	(I)	Tuyau d'admission d'air



1. Si l'un des éléments suivants est long, coupez-les en fonction de l'épaisseur du mur (voir tableau 3):

- (B) tuyau de ventilation
- (C) tuyau d'admission d'air
- (I) isolation
- (D) tige

2. Le trou à l'extérieur du mur doit être un carré de 11-1 / 4" (286 mm) X 11-1 / 4" (286 mm) (voir figure 14).

3. De l'extérieur du mur, vissez légèrement la tige (D) sur le support situé à l'intérieur de la sortie de fumée de l'appareil.

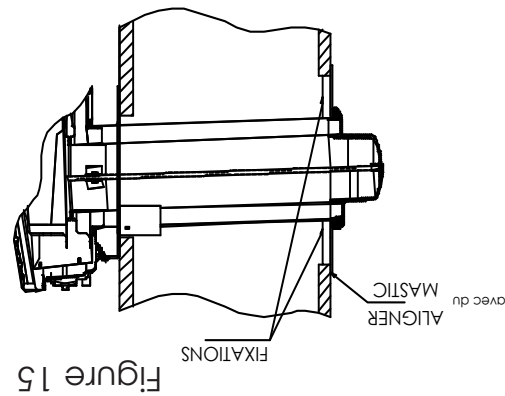
4. Enveloppez le tuyau d'admission d'air (C) avec l'isolant fourni (I) (côté feuille vers l'extérieur) et placez la bande de ruban fournie (H) le long de la couture pour le fixer.

5. Faites glisser le tuyau de ventilation (B) et le tuyau d'admission d'air de ventilation (C) à travers le trou dans le mur et connectez-les respectivement à la sortie de fumée de l'appareil et à l'entrée d'air.

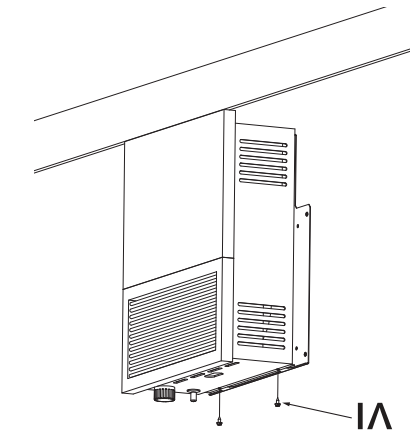
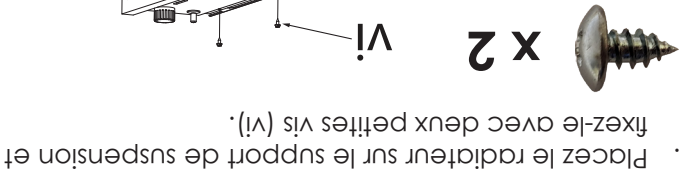
6. La plaque de montage extérieure (F) et l'anneau en caoutchouc silicone (G) doivent être installés entre le capuchon de ventilation (A) et le mur extérieur. La plaque de montage extérieure (F) doit être positionnée au ras du mur et ses entretoises insérées dans le mur et scellées avec un mastic non durcissant (caféoutage silicone). Positionnez la plaque de montage extérieure (F) de sorte que le tuyau d'admission d'air de ventilation (C) ait une légère pente vers le bas vers l'extérieur. La pente descendante est nécessaire pour empêcher l'entrée d'eau de pluie.

7. Avant de fixer le capuchon de ventilation (A) sur le mur extérieur, passez un cordon de mastic non durcissant (caféoutage silicone) autour de son bord extérieur, de manière à assurer l'étanchéité entre celui-ci et la plaque de montage extérieure (F) (voir figure 15).

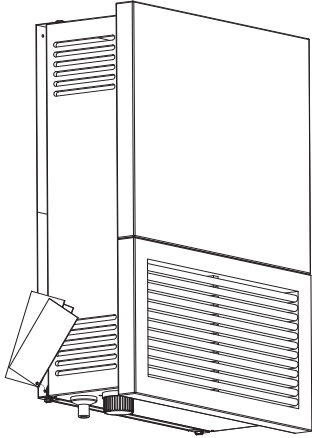
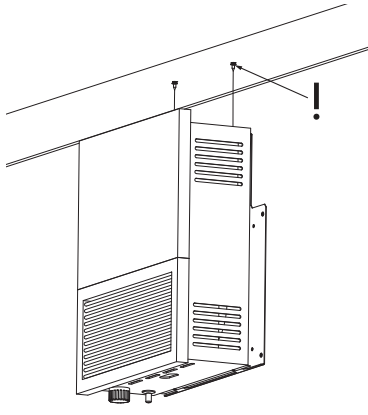
8. Faites glisser le capuchon de ventilation (A) en position et fixez-le à l'aide de l'écrou fourni (E). Serrez l'écrou (E) jusqu'à ce que le capuchon de ventilation (A) s'appuie contre la plaque de montage extérieure (F) (voir les figures 14 et 15).



## MONTAGE DU CHAUFFAGE SUR UN SUPPORT SUSPENDU



2. Utilisez deux vis moyenne (ii) pour fixer le support inférieur à l'unité.

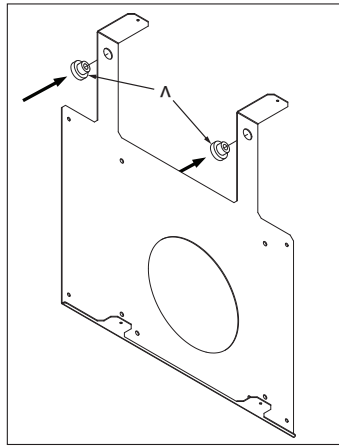


ATTENTION : LES DEUX PLAQUES D'IDENTIFICATION FIXÉES SUR L'APPAREIL (LA PLAQUE SIGNALÉTIQUE ET LA NOTICE TECHNIQUE D'UTILISATION) NE DOIVENT EN AUCUN CAS ÊTRE RETIRÉES DE L'APPAREIL.

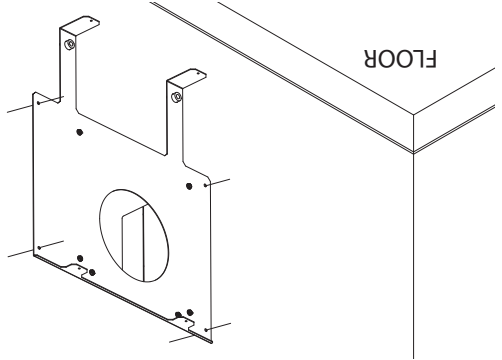
## INSTALLATION DU SYSTÈME DE VENTILATION

Ces modèles de fournaises murales sont conçus pour une ventilation directe à travers un mur. Seuls les composants de ventilation spécifiquement approuvés pour ces fours peuvent être utilisés. La circulation des gaz de combustion et de l'air de ventilation ne doit pas être obstruée. Le dégagement minimum entre les tuyaux et les matériaux combustibles est d'un (1) pouce (25,4 mm). Le terminal de ventilation doit être éloigné de 18,0 po d'un mur adjacent. Espace minimum entre le capuchon de ventilation et le matériau combustible 1-3 / 4".

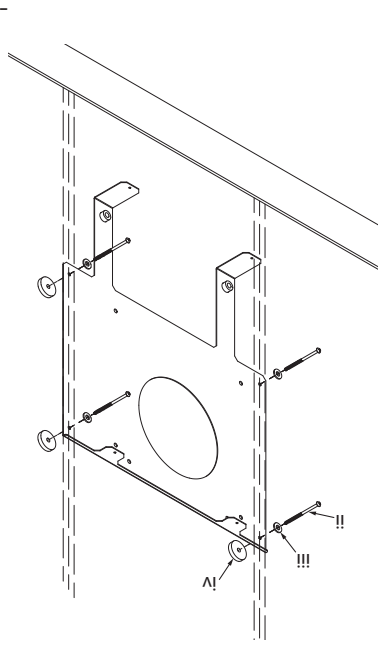
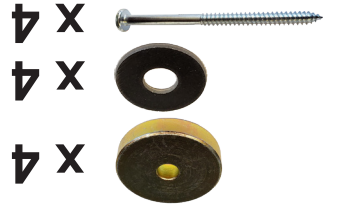
5. Insérez les deux œillets en caoutchouc fournis (v) dans le support inférieur, comme illustré.



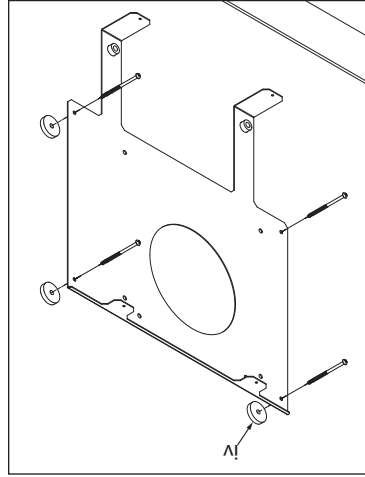
6. Placez le support mural avec l'écran thermique attaché dans le trou carré. Vérifiez que le support est de niveau. Sinon, vous devrez peut-être couper le trou que vous avez coupé pour vous assurer que le support est de niveau lors de l'installation. Après avoir mis à niveau le support de suspension, marquez les 4 trous comme indiqué.



7. Retirez le support de suspension et percez les quatre trous à l'aide d'une mèche de 3/32".  
8. Placez le support de suspension et fixez-le avec quatre vis (iii) et quatre rondelles (iiii). IMPORTANT: Les quatre rondelles d'espacement 1/4" (iv) fournies doivent être placées entre le support et le mur.

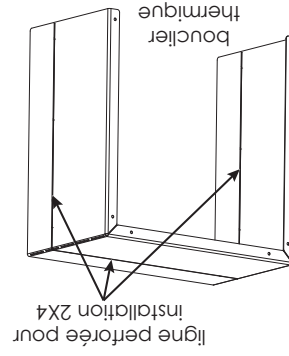


4. Retirez le support de suspension et percez les quatre trous à l'aide d'un foret à maçonnerie. REMARQUE: La taille des mèches de maçonnerie doit correspondre à la taille de la vis de maçonnerie qui sera utilisée (vis à la taille de la vis de maçonnerie non incluses). IMPORTANT: Les quatre rondelles d'espacement 1/4" (iv) fournies doivent être placées entre le support et le mur.

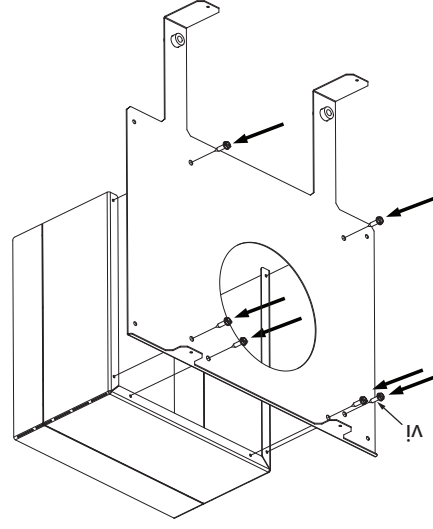


X 4

1. Retirez l'écran thermique requis de la boîte et pliez-le comme indiqué dans l'illustration (pliez le long des lignes perforées et cassez-le lors de l'installation dans un mur 2 X 4). Alignez les trous sur l'écran thermique avec les trous sur le support de montage et fixez-les à l'aide des six petites vis fournies (vi).



X 6



## INSTALLATION DU SUPPORT DE SUSPENDRE SUR UN MUR EN SÈCHE

2. En tenant compte des dégagements minimaux mentionnés dans le tableau deux, localisez le montant mural le plus proche (qui servira à maintenir l'appareil) et marquez le centre du trou carré à une distance «A», (si le montant mural est à droite), ou «B», (si le goujon est à gauche) (voir tableau 2 et figures 7 et 8). Remarque: Utilisez l'écran thermique pour aider à maintenir le support en place lors du marquage des emplacements des trous carrés.

TABLEAU 2		MODÈLE	A	B	C	D
DVAG 11N	9-1/8 po (233 mm)	6-13/16 po (514 mm)	20-3/16 po (514 mm)	11-1/4 po X 11-1/4 po (286 x 286 mm) square hole		
DVAG 17N	8 po (204 mm)	8 po (204 mm)	19-1/2 po (495 mm)			
DVAG 30N	8 po (204 mm)	8 po (204 mm)	23-3/16 po (590 mm)			

3. Dessinez la position du trou carré pour le tuyau d'admission d'air (voir les dimensions du trou carré «D») et la hauteur au centre «C» dans le tableau 2 pour les différents modèles. La hauteur «C» est le minimum recommandé.

4. Découpez le trou carré à travers le mur selon les mesures et les positions indiquées aux figures 7 et 8.

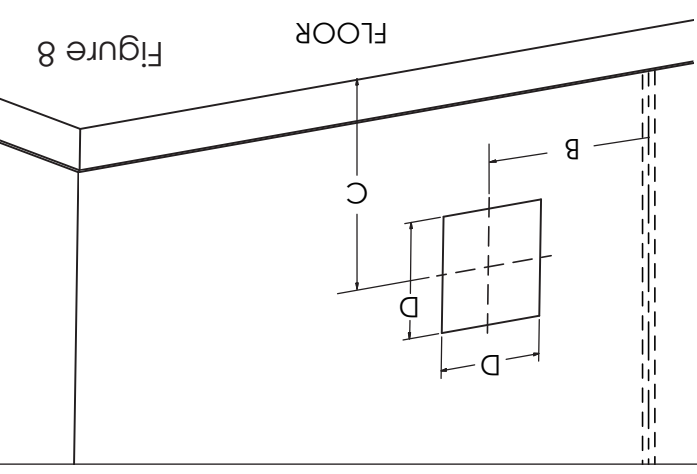
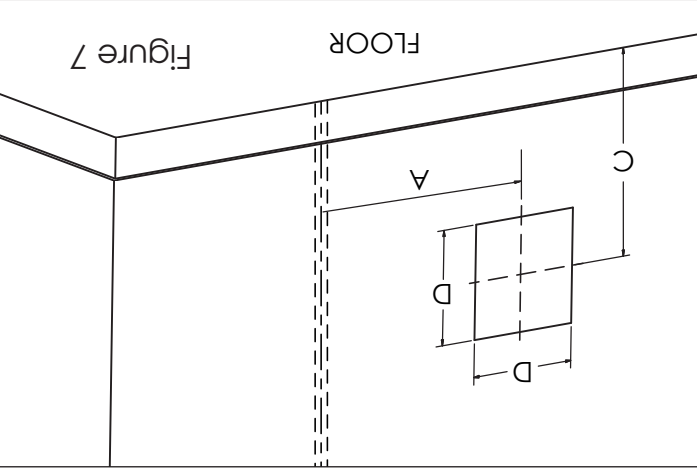


Figure 8

Figure 7

# Contenu du paquet matériel

ARTICLE	DESCRIPTION	QUANTITÉ
! (vis Moyenne)	Vis Moyenne	X 3
!! (Grande vis)	Grande vis	X 4
!!! (Machine à laver)	Machine à laver	X 4
iv (Rondelle d'espacement)	Rondelle d'espacement	X 4
v (Oeillet en caoutchouc)	Oeillet en caoutchouc	X 2
vi (Petite vis)	Petite vis	8

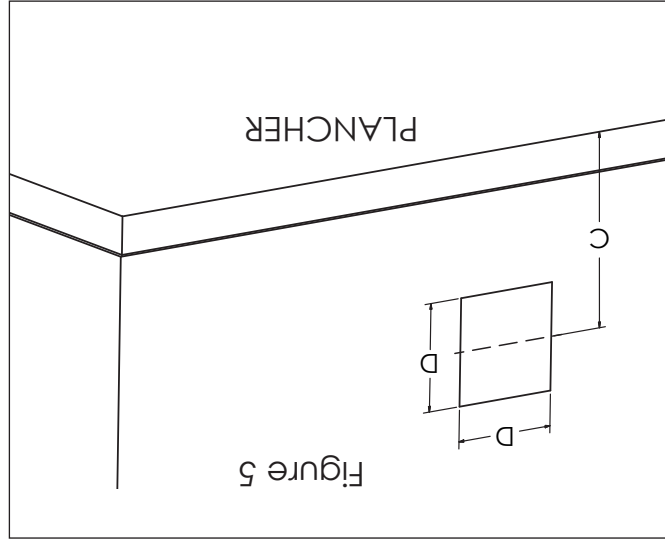
**INSTALLATION DE L'APPAREIL**  
Séparez les supports d'accrochage de l'appareil en dévissant les deux vis situées au-dessus et les deux écrous situés en dessous.

## INSTALLATION DES SUPPORTS D'ACCROCHAGE SUR UN MUR NON COMBUSTIBLE (P. EX., EN BLOCS DE MAÇONNERIE OU EN BÉTON)

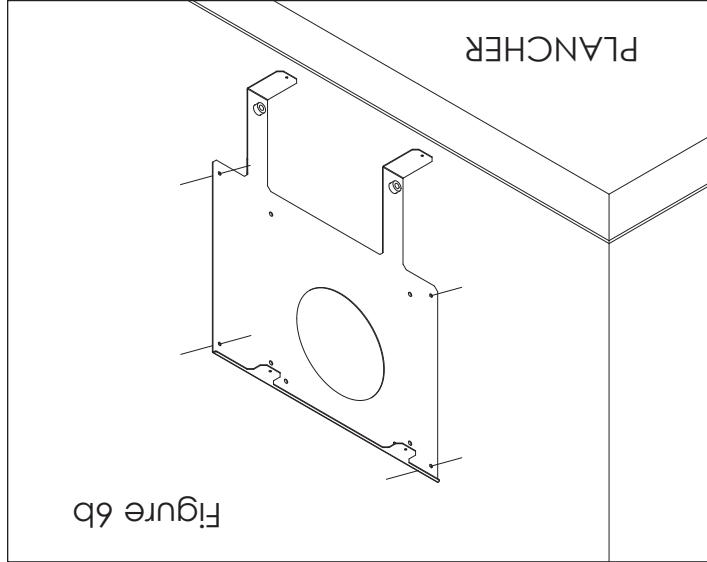
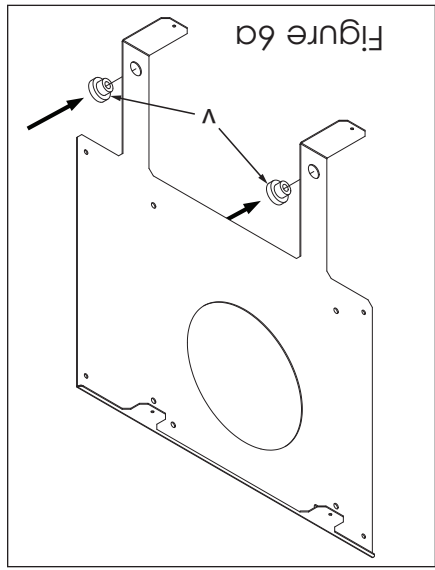
1. Dessinez la position du trou pour le tuyau d'admission d'air, en tenant compte des dégagements minimaux mentionnés dans la figure 4. Voir les dimensions du trou carré «D» et la hauteur au centre «C» dans le tableau 1 et la figure 5 pour les différents modèles. La hauteur «C» est le minimum recommandé.

TABLEAU 1		
MODÈLE	C	D
DVAG 11N - 20-7/32 po (514 mm)		
DVAG 17L - 20 po (508 mm)		
DVAG 30L - 25-7/16 po (647 mm)		
Trous carrés (286 x 286 mm)		

2. Découpez le trou carré à travers le mur selon les mesures et les positions indiquées sur la figure 5.



3. Insérez les deux œillets en caoutchouc fournis (v) dans le support inférieur comme indiqué sur la figure 6a. Vérifiez que le support est de niveau. Après avoir mis à niveau le support de suspension, marquez les quatre trous comme indiqué sur la figure 6b.



Mise en garde : Si les pièces ne sont pas positionnées comme l'attachent les diagrammes, ou si des pièces autres que celles approuvées pour cet appareil sont utilisées, des blessures corporelles ou des dommages matériels peuvent survenir.

IMPORTANT : L'installation et les réparations doivent être effectuées par un personnel d'entretien qualifié. L'appareil doit être inspecté par un personnel qualifié avant d'être utilisé, puis au moins une fois par année par celui-ci. Des nettoyeurs plus fréquents peuvent être nécessaires, s'il y a une grande quantité de fibres provenant des tapis, de la literie, etc. Il est primordial de maintenir la propreté des compartiments de contrôle, des brûleurs et des canaux de circulation d'air de l'appareil.

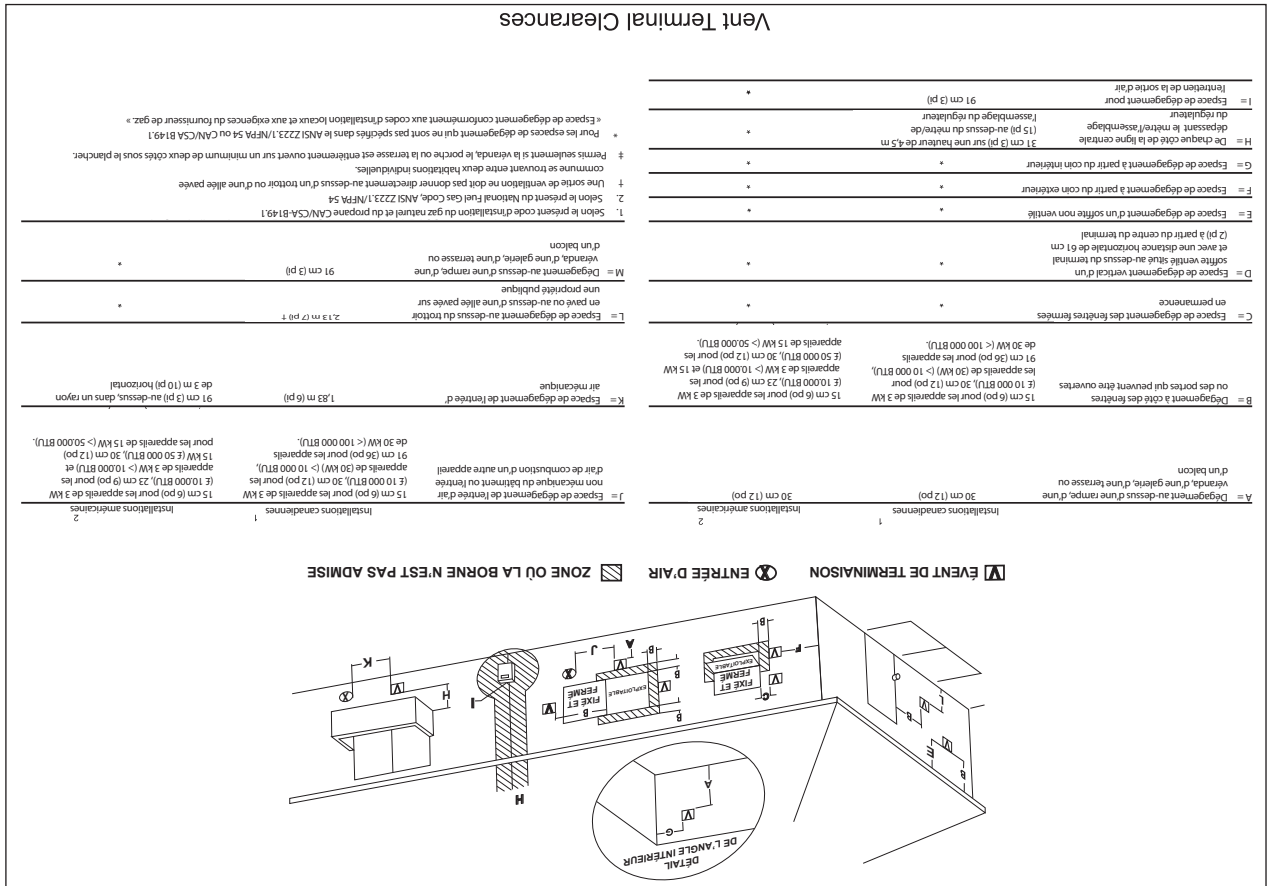
- Les lieux où se trouve l'appareil doivent être exempts de matériaux combustibles, d'essence et autres liquides ou vapeurs inflammables.
- En raison des hautes températures qu'il dégage, l'appareil doit être installé à l'écart de la circulation, des meubles et des rideaux.
- Les enfants et les adultes doivent être informés des risques que comportent les surfaces à haute température et doivent demeurer à l'écart de celles-ci pour éviter les brûlures corporelles ou matérielles (vêtements).
- Une surveillance étroite doit être exercée lorsque des enfants se trouvent dans la pièce où l'appareil est installé.
- Les vêtements et autres matériaux inflammables ne doivent pas être déposés sur l'appareil ni près de celui-ci.
- Tout panneau ou écran qui a été retiré pour inspecter ou entretenir l'appareil doit être réinstallé avant que l'appareil ne soit utilisé de nouveau.

IMPORTANT :

Si l'installation par le fabricant d'origine est effectuée dans une maison préfabriquée (États-Unis seulement) ou mobile, elle doit respecter le Manufactured Home Construction and Safety Standard, titre 24 CFR, Partie 3280. Toutefois, si cette norme n'est pas applicable, l'installation doit respecter le Standard for Manufactured Home Installations, ANSI Z 225.1, ou le Standard for Gas Equipped Recreational Vehicles and Mobile Housing, CSA Z 240.4.

Important : Cet appareil ne doit être installé que par un installateur qualifié. L'installation doit être conforme aux codes locaux ou, en l'absence de ceux-ci, au National Fuel Gas Code ANSI Z223.1/NFPA 54, et au Code d'installation du gaz naturel et du propane CSA B149.1.

Si les codes locaux ne l'interdisent pas, l'appareil peut être installé dans une maison préfabriquée (États-Unis seulement) ou mobile provenant du marché secondaire et installée de manière permanente. Cet appareil n'est compatible qu'avec le type de gaz indiqué sur la plaque signalétique. Cet appareil n'est pas compatible avec d'autres types de gaz, à moins qu'un ensemble certifié ne soit utilisé à cet effet.





Espaces de dégagement minimums aux matériaux combustibles	
Derrière	.25 pouces avec entretoises fournies
Côté	(6 po) 153 mm
Dessus	(36 po) 915 mm
Plancher	(6 po) 153 mm

Les lieux où sera installé l'appareil doivent fournir :

- une combustion et une circulation d'air adéquates;
- Des espaces de dégagement suffisants pour permettre l'entretien de l'appareil.

- Tuyauterie (veuillez vérifier les codes locaux)
- Scellement (résistant au gaz propane)
- Vanne d'arrêt manuel
- Raccord à joint roté
- Piège à sédiments
- Joint en T
- Clé à tube

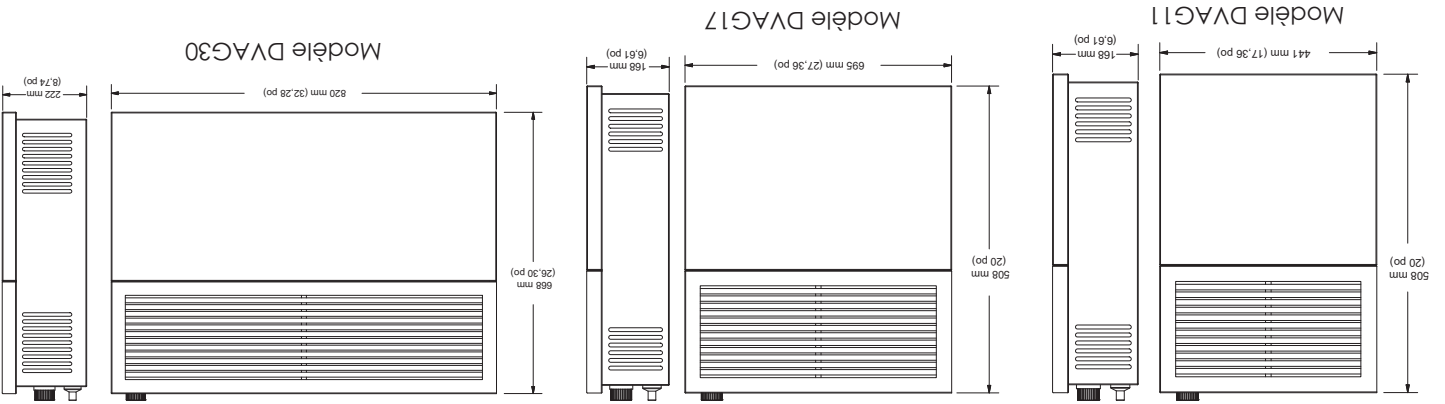
Avant d'installer le radiateur, assurez d'avoir les pièces et les outils suivants.

### PIÈCES ET OUTILS POUR L'INSTALLATION

## Installation

Remarque : Le radiateur ne doit être installé que par du personnel d'entretien qualifié. Respectez tous les codes locaux. VÉRIFIEZ LE TYPE DE GAZI N'utilisez que le type de gaz indiqué sur la plaque signalétique.

Figure 3



Modèle #	Dimensions (po) mm		Poids (lb) kg	Type de brûleur	Nombre de brûleurs	Allumage	Espace de chauffage standard en pi² (m²)
DVAG11N	Hauteur: (20) 508 mm	Largeur: (17,36) 441 mm	(28) 12,7 kg	Atmosphérique	1	Allumeur piézo-électrique	375 (34,8 m²)
DVAG17N	Hauteur: (20) 508 mm	Largeur: (27,36) 695 mm	(43) 19,5 kg	Atmosphérique	1	Allumeur piézo-électrique	570 (52,9 m²)
DVAG30N	Hauteur: (26,30) 668 mm	Largeur: (32,28) 820 mm	(62,2) 28,2 kg	Atmosphérique	1	Allumeur piézo-électrique	825 (76,6 m²)

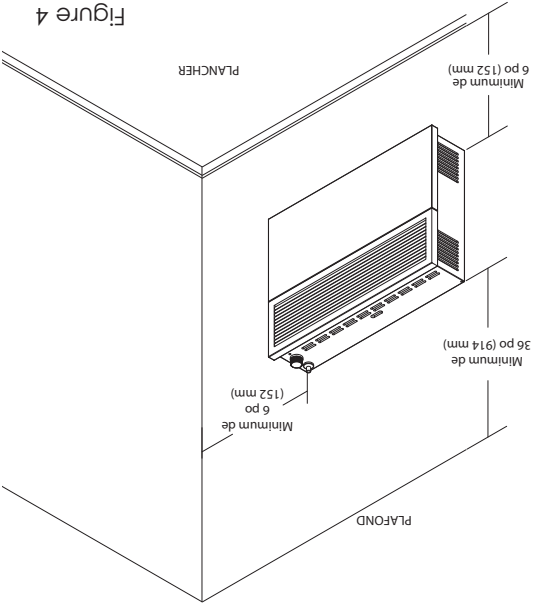


Figure 4

## Contenu

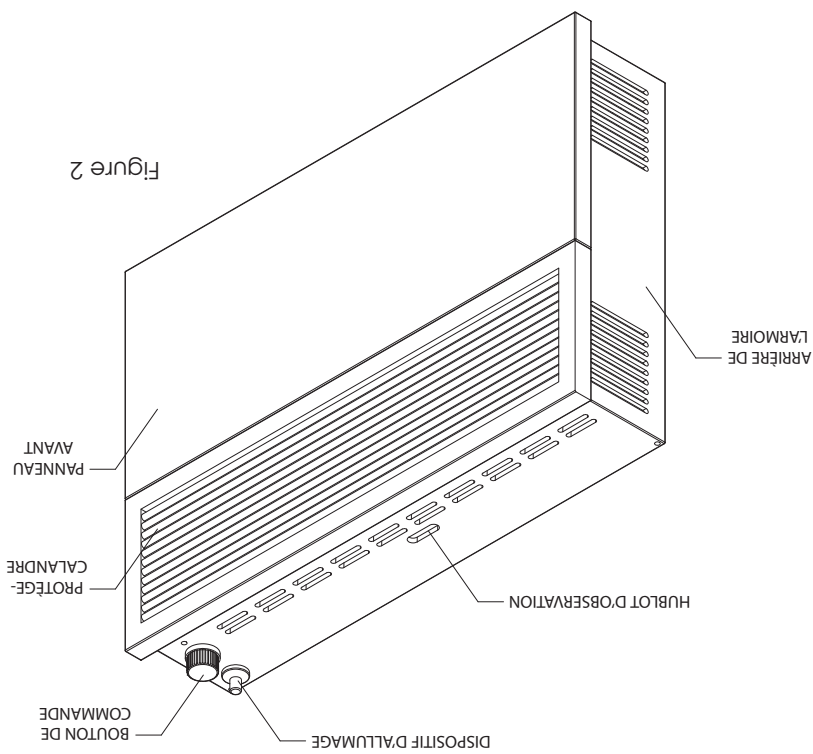
Cet appareil au gaz ne doit pas être raccordé à un conduit de cheminée desservant un autre appareil de chauffage à combustible solide.

### IMPORTANT POUR VOTRE SÉCURITÉ

- Une installation, un ajustement, une modification, un entretien ou une maintenance inadéquats peuvent provoquer des dommages matériels, des blessures corporelles ou la mort. Référez-vous à ce manuel.
- L'installation et l'entretien doivent être effectués par un installateur qualifié, un service d'entretien ou le fournisseur de gaz.

N'utilisez pas l'appareil si l'une ou l'autre des pièces ont été immergées dans l'eau. Communiquez immédiatement avec un technicien d'entretien qualifié afin qu'il inspecte l'appareil et qu'il remplace tout système de contrôle ou contrôle de gaz ayant été immergé dans l'eau.

## Identification du produit



## Caractéristiques du produit

Numéro de modèle	Puissance d'entrée* (BTU/heure) kW	Max. Pression de l'entrée de gaz (po W.C.) mm. W.C.	Min. Pression de l'entrée de gaz (po W.C.) mm. W.C.	Régilages de régulation de pression Collecteur (po W.C.) mm. W.C.	Type de valve
DVAG 11N	(11 000) 3,20 kW	(10,5) 267 mm	(7) 178 mm	(5) 127 mm	Chant RTZ-WK
DVAG 11L	(11 000) 3,20 kW	(14) 355 mm	(11) 280 mm	(10) 254 mm	Chant RTZ-WK
DVAG 17N	(17 000) 4,94 kW	(10,5) 267 mm	(7) 178 mm	(5) 127 mm	Chant RTZ-WK
DVAG 17L	(17 000) 4,94 kW	(14) 355 mm	(11) 280 mm	(10) 254 mm	Chant RTZ-WK
DVAG 30N	(25 000) 7,33 kW	(10,5) 267 mm	(7) 178 mm	(5) 127 mm	Chant RTZ-WK
DVAG 30L	(25 000) 7,33 kW	(14) 355 mm	(11) 280 mm	(10) 254 mm	Chant RTZ-WK

\*\*REMARQUE : Pression minimale d'entrée de gaz pour l'ajustement de l'entrée. La côte d'efficacité de cet appareil est une côte d'efficacité thermique déterminée dans des conditions d'utilisation continue et indépendamment de tout système installé.

# Exigences pour le Commonwealth du Massachusetts

Les exigences suivantes renvoient à plusieurs codes nationaux et codes du Massachusetts ne figurant pas à ce manuel. Pour tout appareil au gaz à évacuation murale installé dans toute habitation ou toute structure utilisée en tout ou en partie à des fins résidentielles, incluant ceux que possède ou exploite l'État du Massachusetts, et où la terminaison du conduit d'évacuation murale est située à moins de 2,2 mètres (sept [7] pieds) au-dessus du niveau de toute construction située à proximité de l'évacuation, incluant notamment les terrasses et galeries, les exigences suivantes doivent être respectées :

## INSTALLATION DES DÉTECTEURS DE MONOXYDE DE CARBONE

Au moment d'installer l'appareil au gaz à évacuation murale, le plombier (ou le monteur d'installations au gaz) doit vérifier qu'un détecteur de monoxyde de carbone câblé avec batterie de secours est installé au niveau du sol, où l'appareil au gaz doit être installé. De plus, le plombier (ou le monteur d'installations au gaz) doit vérifier qu'un détecteur de monoxyde de carbone câblé ou à batterie, avec alarme, est installé à tous les autres étages du bâtiment, de l'habitation ou de la structure desservie par l'appareil au gaz à évacuation murale. Le propriétaire des lieux a la responsabilité de faire exécuter les travaux d'installation des détecteurs de monoxyde de carbone câblés, par un professionnel certifié et qualifié. Si l'appareil au gaz à évacuation murale doit être installé dans un grenier (ou un vide sanitaire), le détecteur de monoxyde de carbone câblé avec alarme et batterie de secours peut être installé à l'étage du plancher adjacents. Si les exigences de cette sous-section ne peuvent pas être satisfaites au moment d'achever l'installation, le propriétaire disposera d'une période de trente (30) jours pour se conformer aux exigences ci-dessus, pourvu toutefois qu'au cours de cette période de trente (30) jours, un détecteur de monoxyde de carbone à batterie avec alarme soit installé.

## DÉTECTEURS DE MONOXYDE DE CARBONE APPROUVÉS

Tous les détecteurs de monoxyde de carbone, tel qu'exigé conformément aux clauses ci-dessus, doivent être conformes à la norme NFPA 720 et être homologués ANSI/UL 2034 et certifiés par l'IAS.

## PLAQUE SIGNALÉTIQUE

Une plaque d'identification en métal ou en plastique doit être fixée en permanence à l'extérieur du bâtiment, au moins 2,5 mètres (8 pieds) au-dessus du niveau de toute construction située directement en ligne avec la terminaison du conduit d'évacuation de l'appareil de chauffage au gaz à évacuation murale. La plaque signalétique doit indiquer, en caractères imprimés d'au moins un 1/2 pouce (13 mm) de haut : « GAS VENT DIRECTLY BELOW. KEEP CLEAR OF ALL OBSTRUCTIONS » (« ÉVACUATION DE GAZ DIRECTEMENT AU-DESSOUS. DÉGAGER DE TOUTE OBSTRUCTION »).

## INSPECTION

L'inspecteur de gaz local ou de l'État, responsable de vérifier l'appareil au gaz à évacuation murale, ne devra approuver l'installation qu'à condition que lors de l'inspection, celui-ci ait vérifié que des détecteurs de monoxyde de carbone et une plaque signalétique sont installés conformément aux clauses de la norme 248 CMR 5.08 (2) (a) 1 à 4.

## EXEMPTIONS

Les exigences du règlement 248 CMR 5.08 (2) (a) 1 à 4 ne s'appliquent pas aux appareils suivants : les appareils listés au chapitre 10 intitulé « Equipment Not Required To Be Vented » dans l'édition courante du NFPA 54 tel qu'adopté par le Conseil; les appareils au gaz à évacuation murale homologués « Product Approved » et installés dans une pièce ou structure séparée d'un bâtiment, habitation ou structure, utilisé en tout ou en partie à des fins résidentielles.

## EXIGENCES POUR LES FABRICANTS

Système d'évacuation de gaz fourni : Si le fabricant d'un appareil au gaz à évacuation murale homologué « Product Approved » fournit, avec l'appareil, un système d'évacuation ou ses composants, les instructions fournies par le fabricant pour l'installation de l'appareil et du système d'évacuation doivent comprendre :

Des instructions détaillées pour l'installation du système d'évacuation ou de ses composants, une liste complète des pièces requises pour le système d'évacuation ou ses composants.

## SYSTÈME D'ÉVACUATION DE GAZ NON FOURNI

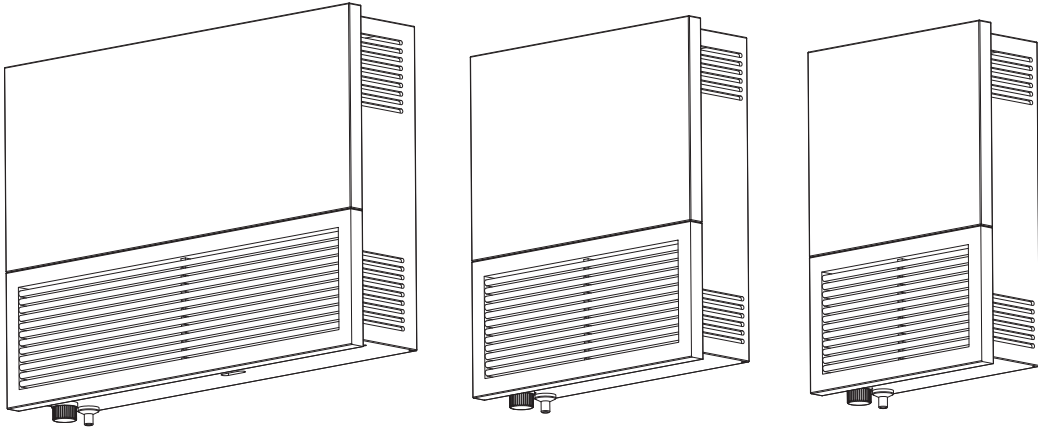
Si le fabricant d'un appareil au gaz à évacuation murale homologué « Product Approved » ne fournit pas les pièces pour l'évacuation des gaz de combustion, mais identifie des « systèmes d'évacuation spéciaux », il a comme obligation de respecter les exigences suivantes :

Inclure les instructions relatives aux « systèmes d'évacuation spéciaux » avec les instructions d'installation de l'appareil; Offrir des « systèmes d'évacuation spéciaux » homologués « Product Approved » par le Conseil et inclure dans les instructions de ces systèmes une liste des pièces et des instructions d'installation détaillées.

Une copie de toutes les instructions d'installation de l'appareil au gaz à évacuation murale homologué « Product Approved », de toutes les instructions pour le système d'évacuation, ainsi qu'une liste de toutes les pièces requises pour le système d'évacuation ou toutes les instructions sur le système d'évacuation, doivent être conservées avec l'appareil une fois l'installation terminée.



**MODELES: DVAG11 / DVAG17 / DVAG30**



INSTALLATEUR: Laissez ce manuel avec l'appareil.  
 CONSOMMATEUR: Conservez ce manuel pour le consulter ultérieurement.

Mise en garde : Si les informations contenues dans ce manuel ne sont pas respectées à la lettre, un incendie ou une explosion peut se produire et ainsi causer des pertes matérielles, des blessures corporelles ou la mort.

N'utilisez ou n'entrez pas d'essence ou autres vapeurs ou liquides inflammables à proximité de cet appareil ou autre appareil.

**SI VOUS DÉTECTEZ UNE ODEUR DE GAZ**

- N'allumez aucun appareil.
- N'appuyez sur aucun interrupteur électrique et n'utilisez aucun téléphone dans le bâtiment.
- Rendez-vous chez votre voisin et appelez immédiatement votre fournisseur de gaz. Suivez les instructions de votre fournisseur de gaz.
- Si vous n'arrivez pas à joindre votre fournisseur de gaz, appelez le service d'incendie.
- L'installation et l'entretien de l'appareil doivent être effectués par un installateur qualifié, un service d'entretien ou le fournisseur de gaz.

L'installation et l'entretien de l'appareil doivent être effectués par un installateur qualifié, un service d'entretien ou le fournisseur de gaz. Si les codes locaux ne l'interdisent pas, l'appareil peut être installé dans une maison préfabriquée (États-Unis seulement) ou mobile provenant du marché secondaire et installée de manière permanente. Cet appareil n'est compatible qu'avec le type de gaz indiqué sur la plaque signalétique. Cet appareil n'est pas compatible avec d'autres types de gaz, à moins qu'un ensemble certifié ne soit utilisé.



United States Stove Company  
 227 Industrial Park Rd.,  
 South Pittsburg, TN 37380  
 PH: (800) 750-2723  
 www.usstove.com

**AVERTISSEMENT CONCERNANT LA PROPOSITION 65 DE L'ÉTAT DE LA CALIFORNIE :**  
 Ce produit peut vous exposer à des agents chimiques, y compris au monoxyde de carbone, lesquels sont reconnus dans l'état de la Californie comme causant le cancer et des malformations congénitales ou autres dommages au fœtus. Pour obtenir plus de renseignements, veuillez consulter le site [www.P65warnings.ca.gov](http://www.P65warnings.ca.gov)

