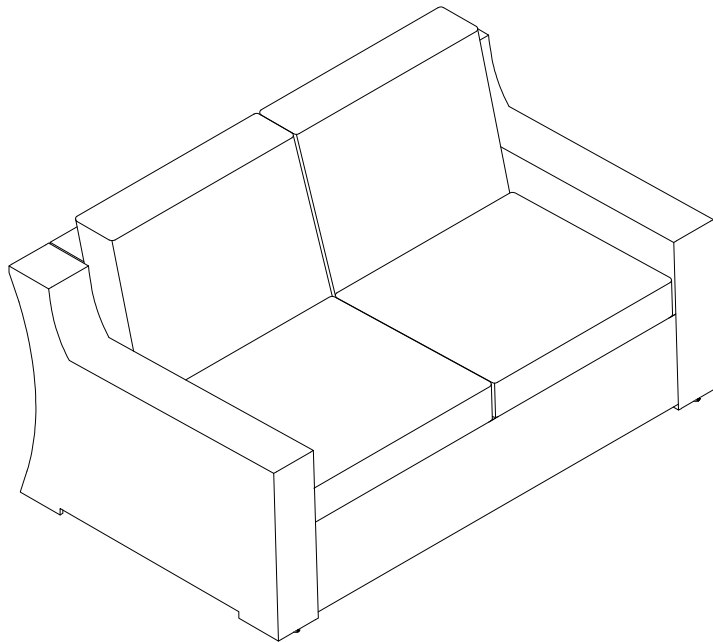
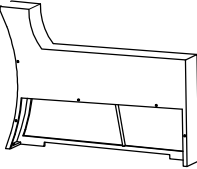
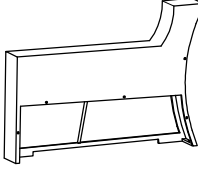
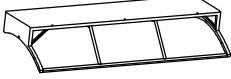
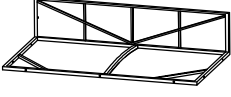






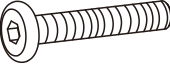



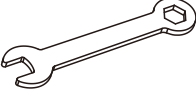
Outdoor Wicker Loveseat
CO7154



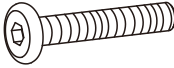


PART LIST

A 	B 	C 	D 	E 
Right Arm Panel 1 PC	Left Arm Panel 1 PC	Back Panel 1 PC	Seat Panel 1 PC	Seat Cushion 2 PCS
F 				
Back Cushion 2 PCS				

HARDWARE LIST

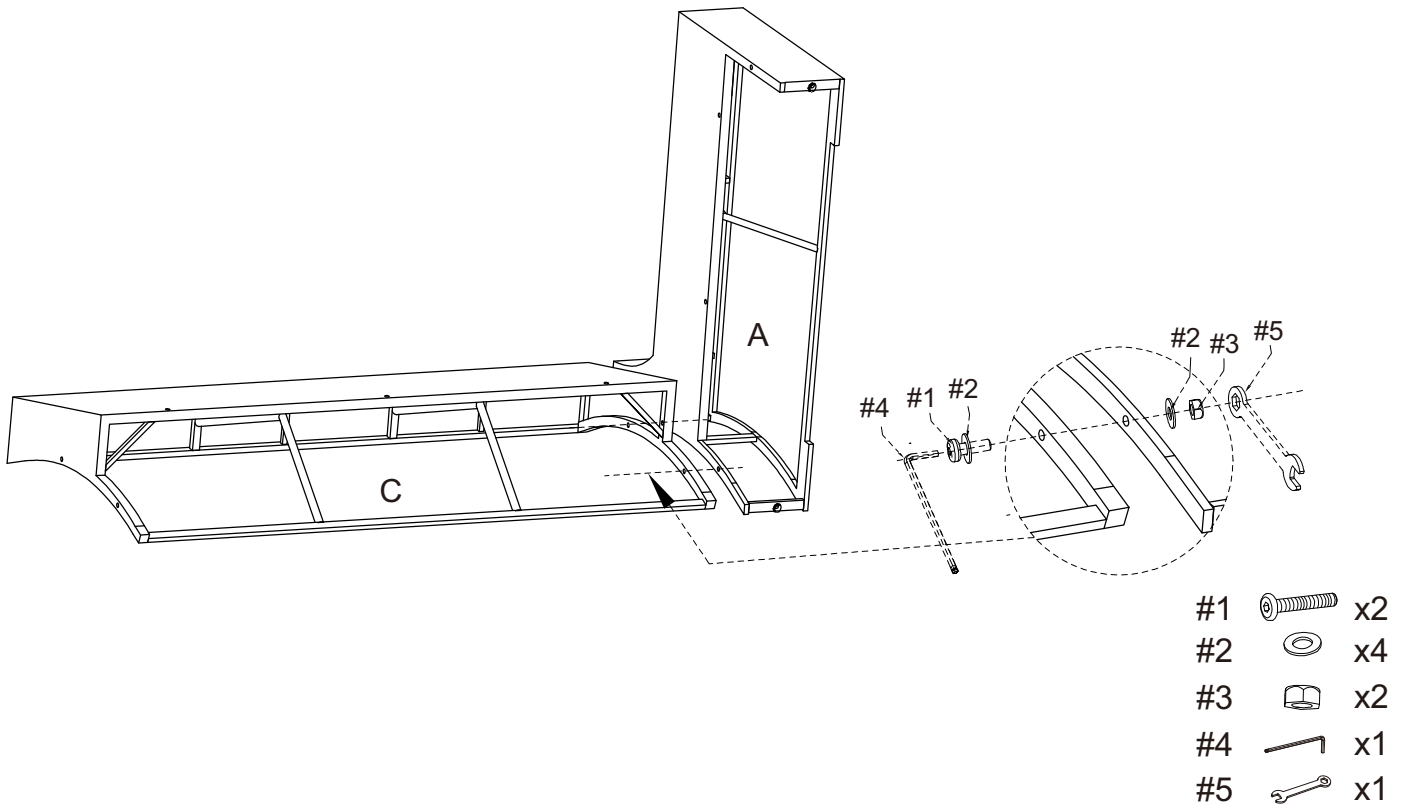
#1 	#2 	#3 	#4 	#5 
M6*65mm Bolt 13 PCS	M6mm Washer 26 PCS	M6mm Nut 13 PCS	M6mm Allen Key 1 PC	M6mm Wrench 1 PC

EXTRA HARDWARE LIST

#1 	#2 	#3 
M6*65mm Bolt 1 PC	M6mm Washer 1 PC	M6mm Nut 1 PC

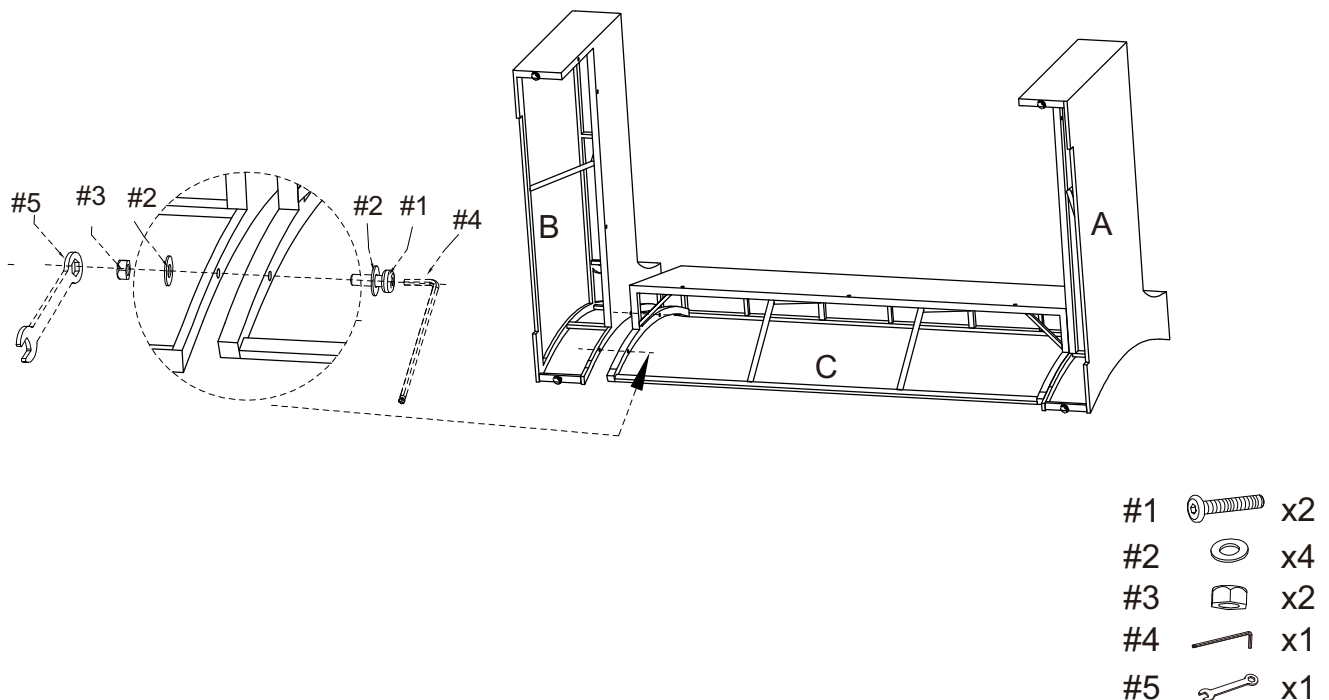
Step 1. Lay back panel (part C) down on a soft flat surface, such as carpet, as shown below. Attach right arm panel (part A) to back panel (part C) using bolts (part #1), washers (part #2), nuts (part #3), wrench (part #5) and allen key (part #4).

NOTE: Please do not fully tighten bolts until unit is fully assembled.



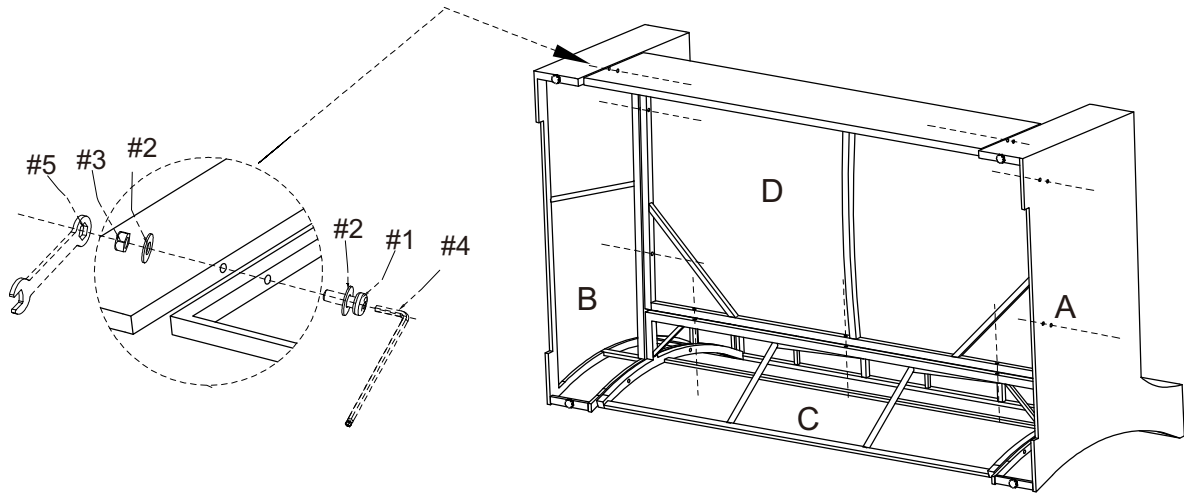
Step 2. Attach left arm panel (part B) to back panel (part C) using bolts (part #1), washers (part #2), nuts (part #3), wrench (part #5) and allen key (part #4).


NOTE: Please do not fully tighten bolts until unit is fully assembled.



Step 3. Attach seat panel (part D) to assembled unit (parts A,B&C) using bolts(part #1),washers (part #2),nuts(part #3),wrench(part #5) and allen key (part #4).

NOTE:Please fully tighten all bolts at this time.



- | | | |
|----|---|-----|
| #1 |  | x9 |
| #2 |  | x18 |
| #3 |  | x9 |
| #4 |  | x1 |
| #5 |  | x1 |

Step 4. Carefully turn loveseat upright.Place seat cushions (part E) and back cushions (part F) on the loveseat.

