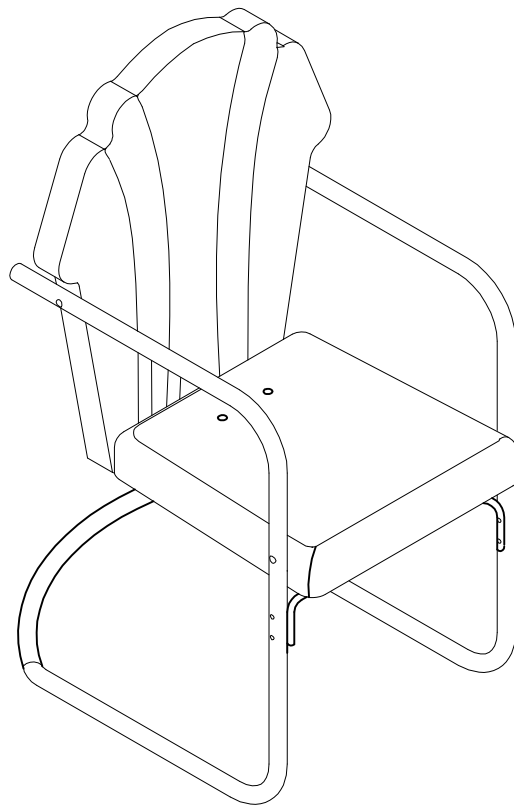


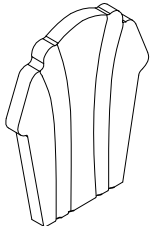
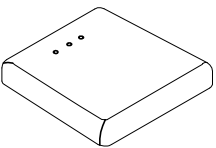
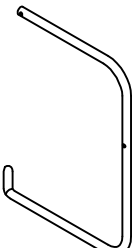
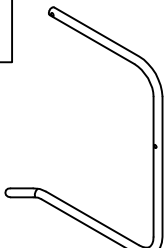

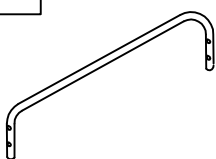


Metal Chair


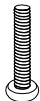



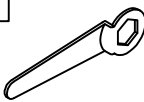
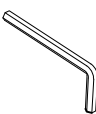


CO1029



PART LIST

A 	B 	C 	D 	E 
Chair Back 2 PCS	Chair Seat 2 PCS	Left Support Leg 2 PCS	Right Support Leg 2 PCS	Leg Connector 2 PCS
F 				
Crossbar 2 PCS				

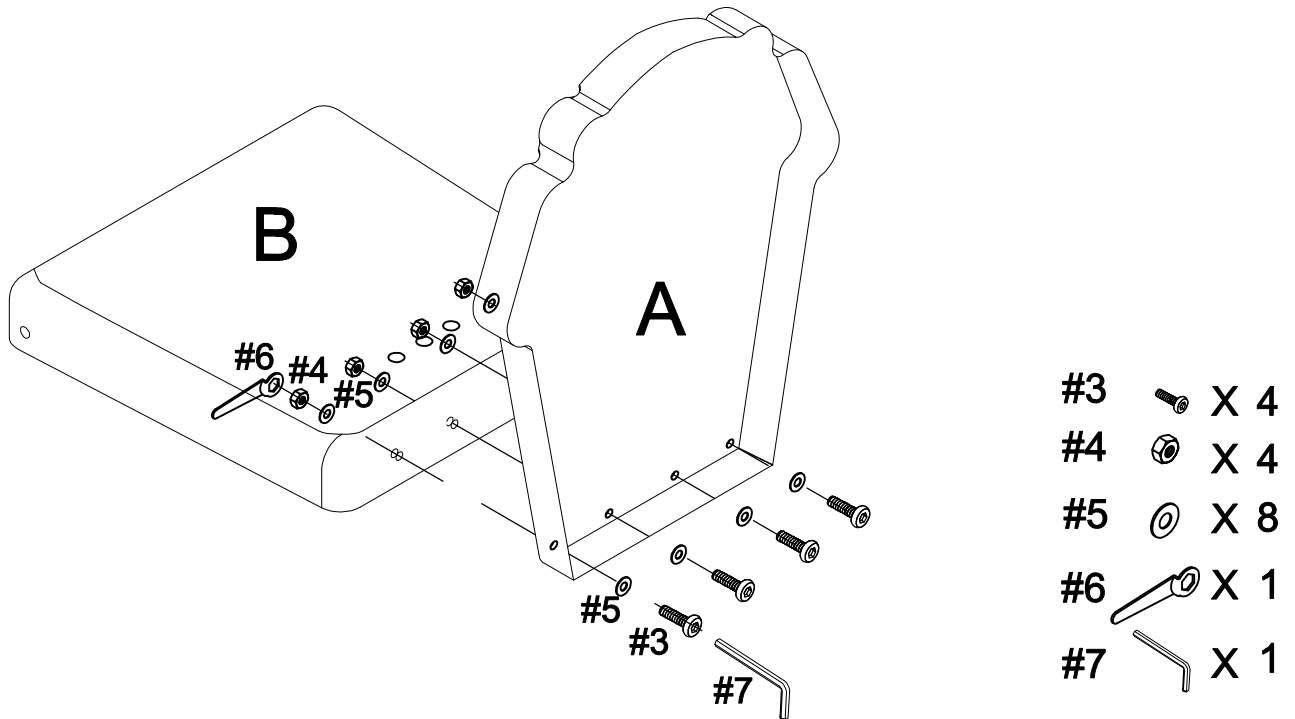
HARDWARE LIST

#1 	#2 	#3 	#4 	#5 
M6X42mm Long Bolt 8 PCS (Extra 1)	M6X38mm Medium Bolt 8 PCS (Extra 1)	M6X13mm Short Bolt 8 PCS	Hex Nut 24 PCS (Extra 2)	Flat Washer 32 PCS (Extra 4)
#6 	#7 	#8 	#9 	
Wrench 1 PC	Allen Wrench 1 PC	Plastic Washer 8 PCS	Round Plastic Washer 16 PCS	

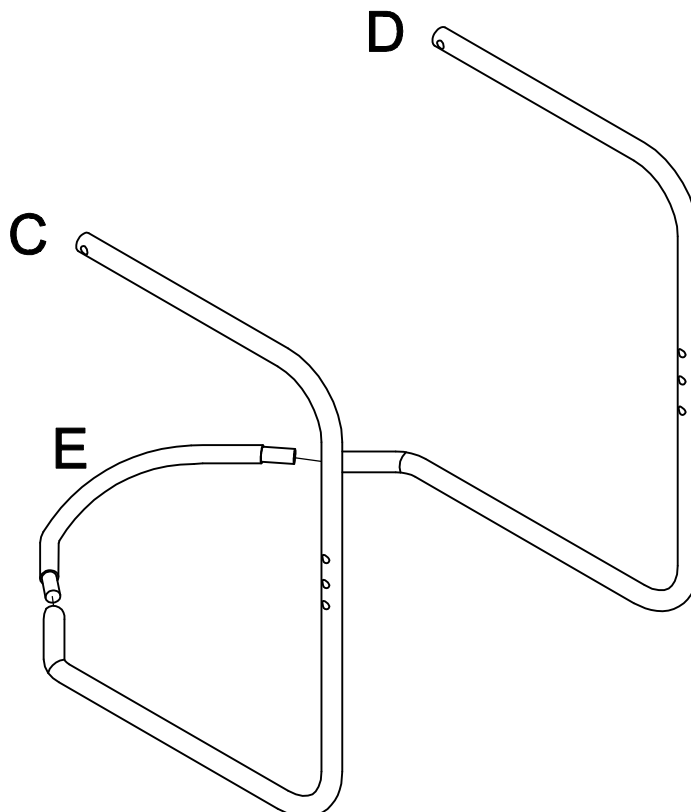
NOTE: We recommend at least two people work together to assemble unit.

Step 1. Lay chair seat (part B) down on a soft flat surface, such as carpet, as shown below. Attach chair back (part A) to chair seat (part B) using short bolts (part #3), hex nuts (part #4), flat washers (part #5), wrench (part #6) and allen wrench (part #7).

NOTE: Please do not fully tighten bolts until unit is fully assembled.

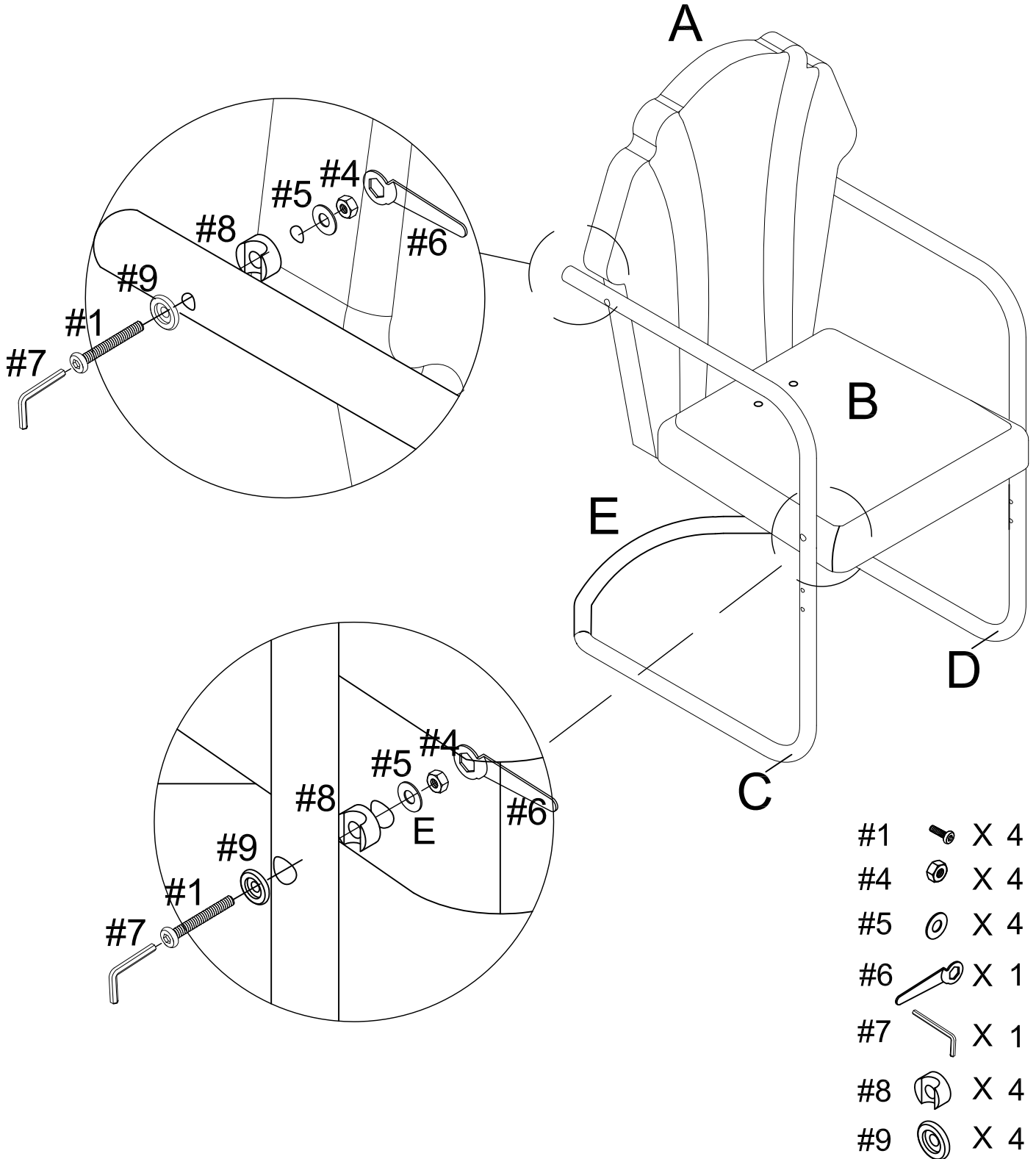


Step 2. Attach left support leg (part C) and right support leg (part D) to leg connector (part E).



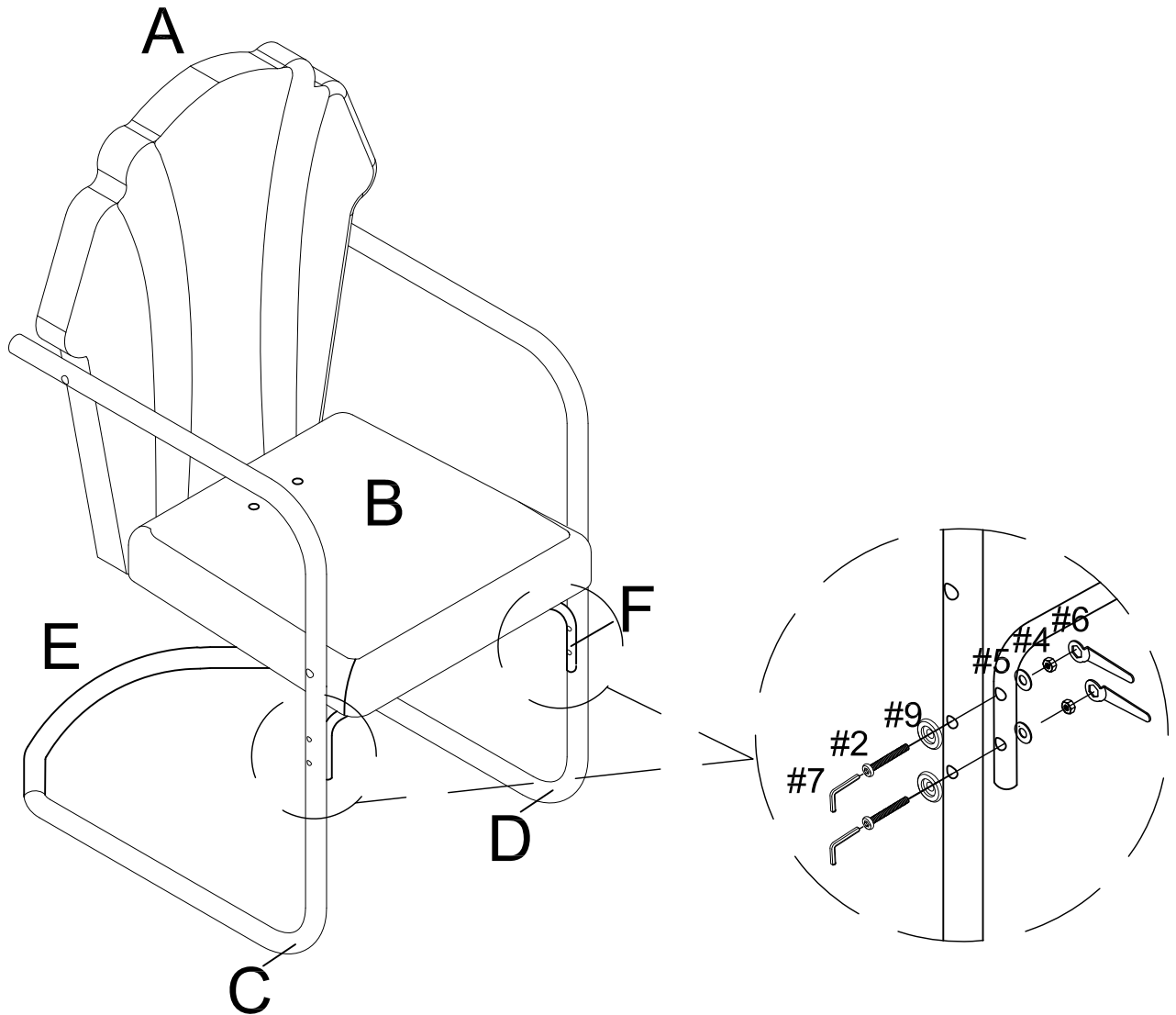
Step 3. Attach support legs (parts C & D) to chair back (part A) and chair seat (part B) using long bolts (part #1), round plastic washers (part #9), hex nuts (part #4), flat washers (part #5), plastic washers (part #8), wrench (part #6) and allen wrench (part #7).





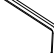

NOTE: Please do not fully tighten bolts until unit is fully assembled.



Step 4. Attach crossbar (part F) to left support leg (part C) and right support leg (part D) using medium bolts (part #2), round plastic washers (part #9), hex nuts (part #4), flat washers (part #5), wrench (part #6) and allen wrench (part #7).

NOTE: Please fully tighten all bolts at this time.
Repeat steps 1-4 to assemble remaining chair.



- | | | |
|----|---|-----|
| #2 |  | X 4 |
| #4 |  | X 4 |
| #5 |  | X 4 |
| #6 |  | X 1 |
| #7 |  | X 1 |
| #9 |  | X 4 |