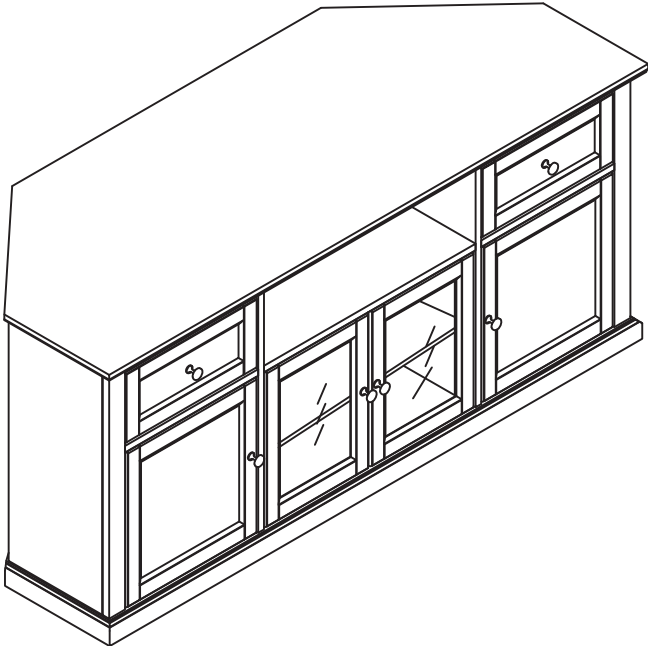


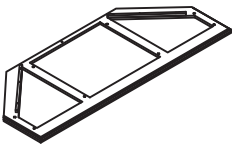
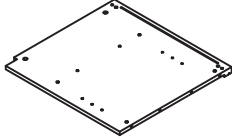
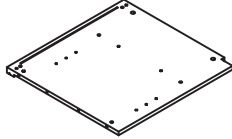
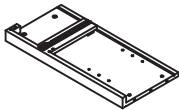
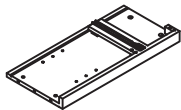
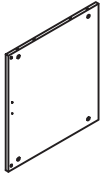

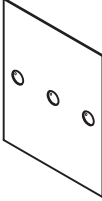
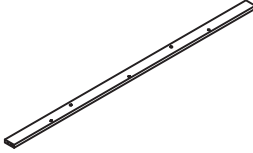
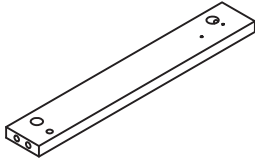
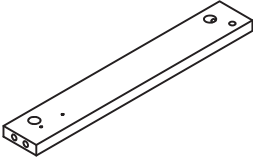
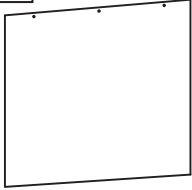
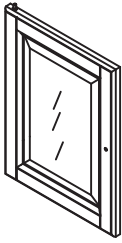
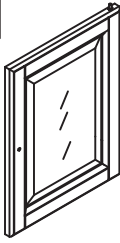
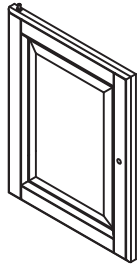
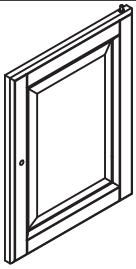
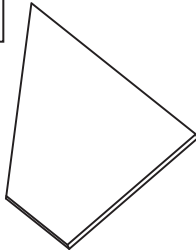
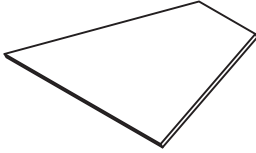
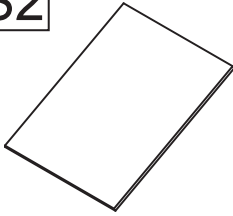
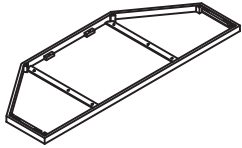
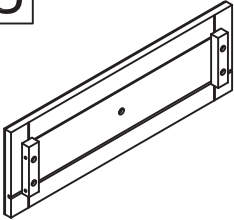
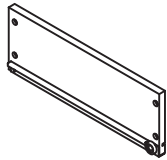
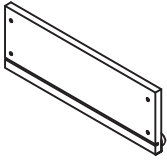
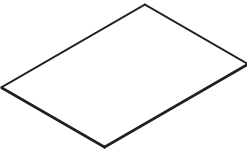
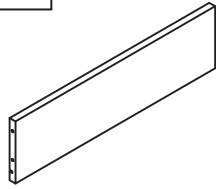
CROSLEY

FURNITURE


60" Corner TV Stand
CF1000260



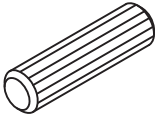
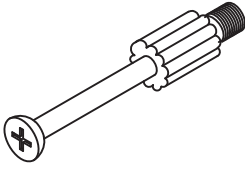


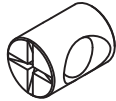


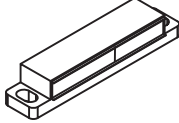
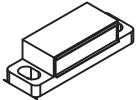





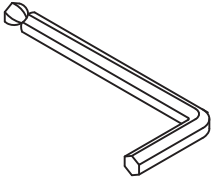
PART LIST

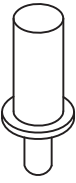
<p>A</p> 	<p>B2</p> 	<p>C2</p> 	<p>D</p> 	<p>E</p> 
<p>Top Panel 1 PC</p>	<p>Left Vertical Panel 1 PC</p>	<p>Right Vertical Panel 1 PC</p>	<p>Left Panel 1 PC</p>	<p>Right Panel 1 PC</p>
<p>F2</p> 	<p>G</p> 	<p>H2</p> 	<p>I</p> 	<p>J</p> 
<p>Fixed Shelf 1 PC</p>	<p>Back Horizontal Rail 2 PCS</p>	<p>Middle Back Panel 1 PC</p>	<p>Top Horizontal Rail 1 PC</p>	<p>Right Horizontal Rail 1 PC</p>
<p>K</p> 	<p>L2</p> 	<p>M</p> 	<p>N</p> 	<p>O</p> 
<p>Left Horizontal Rail 1 PC</p>	<p>Back Panel 2 PCS</p>	<p>Left Middle Door Panel 1 PC</p>	<p>Right Middle Door Panel 1 PC</p>	<p>Left Door Panel 1 PC</p>
<p>P</p> 	<p>Q2</p> 	<p>R2</p> 	<p>S2</p> 	<p>T</p> 
<p>Right Door Panel 1 PC</p>	<p>Left Adjustable Shelf 1 PC</p>	<p>Right Adjustable Shelf 1 PC</p>	<p>Middle Adjustable Shelf 1 PC</p>	<p>Bottom Panel 1 PC</p>
<p>U</p> 	<p>V2</p> 	<p>W2</p> 	<p>X2</p> 	<p>Y2</p> 
<p>Drawer Front Panel 2 PCS</p>	<p>Drawer Right Panel 2 PCS</p>	<p>Drawer Left Panel 2 PCS</p>	<p>Drawer Bottom Panel 2 PCS</p>	<p>Drawer Back Panel 2 PCS</p>

PART LIST


Z

Support Leg
2 PCS

HARDWARE LIST

#1	#2	#3	#4	#5
			 2" ϕ 1/4" D11mm	
Wood Dowel 24 PCS	Cam Bolt 22 PCS	Cam Lock 22 PCS (Extra 2)	Hex Socket Head Bolt 8 PCS	Barrel Nut 8 PCS
#6	#7	#8	#9	#10
	 3/4" ϕ 5/32" D9mm			 12mm ϕ 3" D6mm
Knob 6 PCS	Round Head Bolt 6 PCS	Double Magnet 1 PC	Magnet 2 PCS	Round Head Screw 12 PCS (Extra 1)
#11	#12	#13	#14	#15
 1" ϕ 4" D8mm	 1-1/4" ϕ 4" D8mm			
Short Screw 16 PCS (Extra 1)	Long Screw 5 PCS (Extra 1)	Shelf Holder 12 PCS	Adjustable Leveler 8 PCS	Allen Wrench 1 PC


Pin Hinge (Spare Parts) (Extra 8)

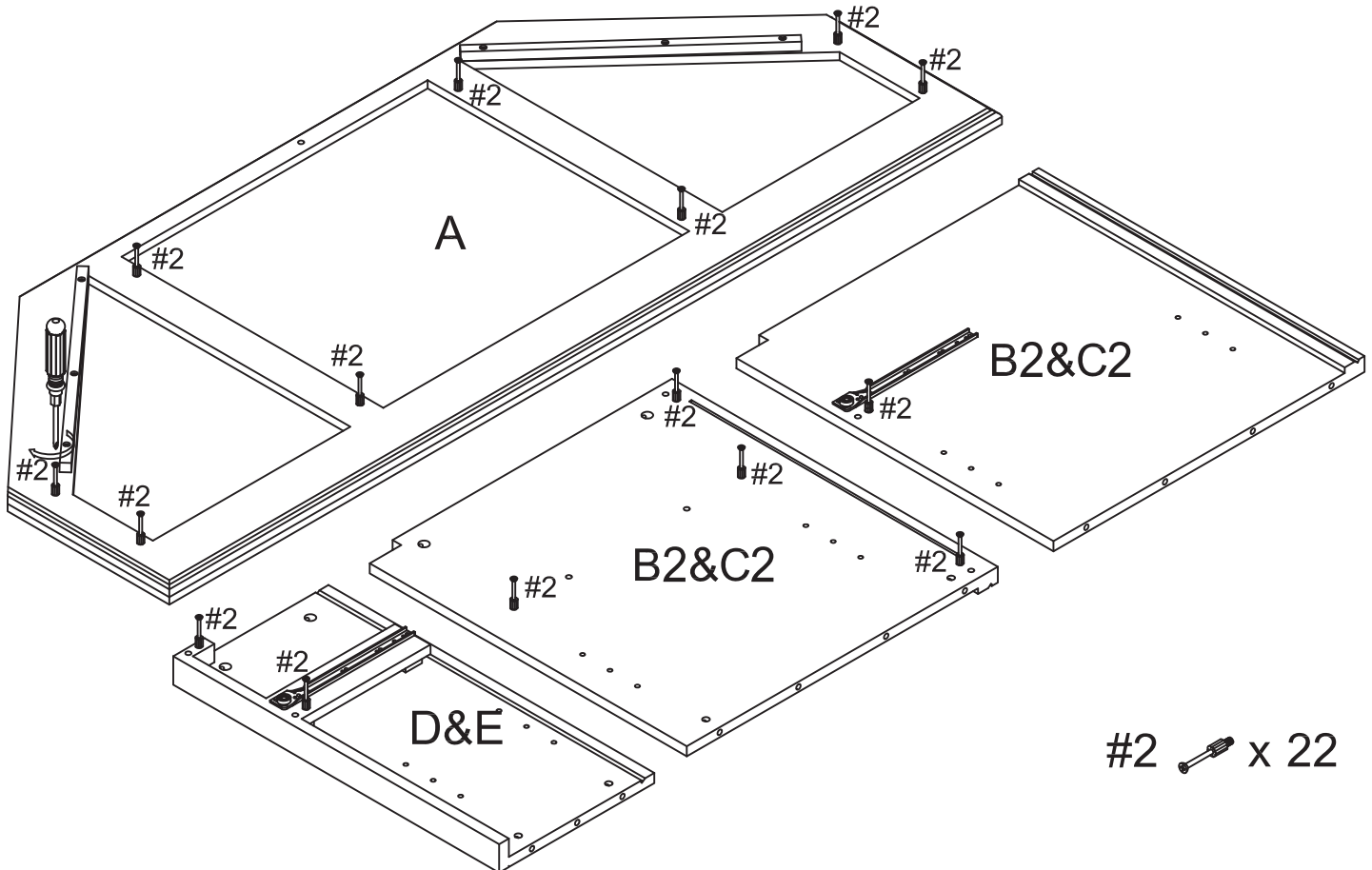
ADDITIONAL TOOLS (Not Provided)
 Note: It is not recommended to use power tools during assembly.

 Phillips Head Screwdriver

Note: Wood dowels are intended for alignment. Additional clearance between wood dowel and pre-drilled hole is intentional for ease of assembly.

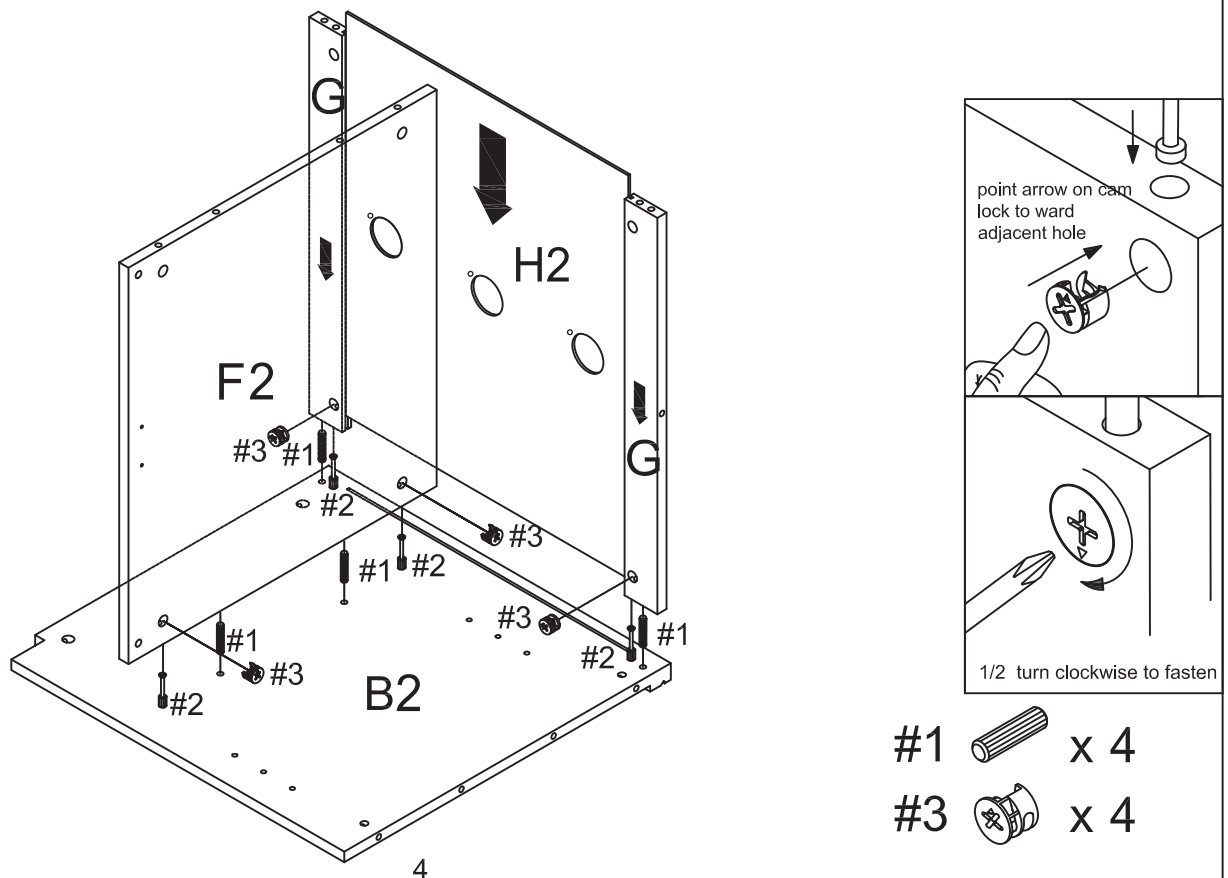
Step 1. Insert cam bolts (part #2) into top panel (part A), left vertical panel (part B2), right vertical panel (part C2), left panel (part D) and right panel (part E) using phillips head screwdriver.

NOTE: Do not overtighten cam bolts. Stop tightening once threads on cam bolt are no longer visible.



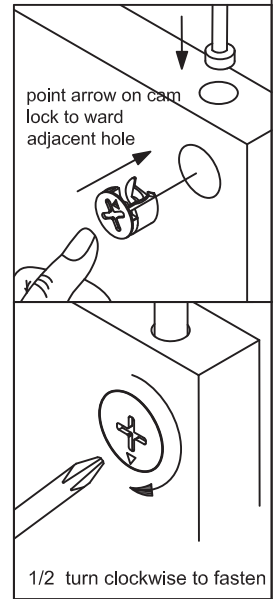
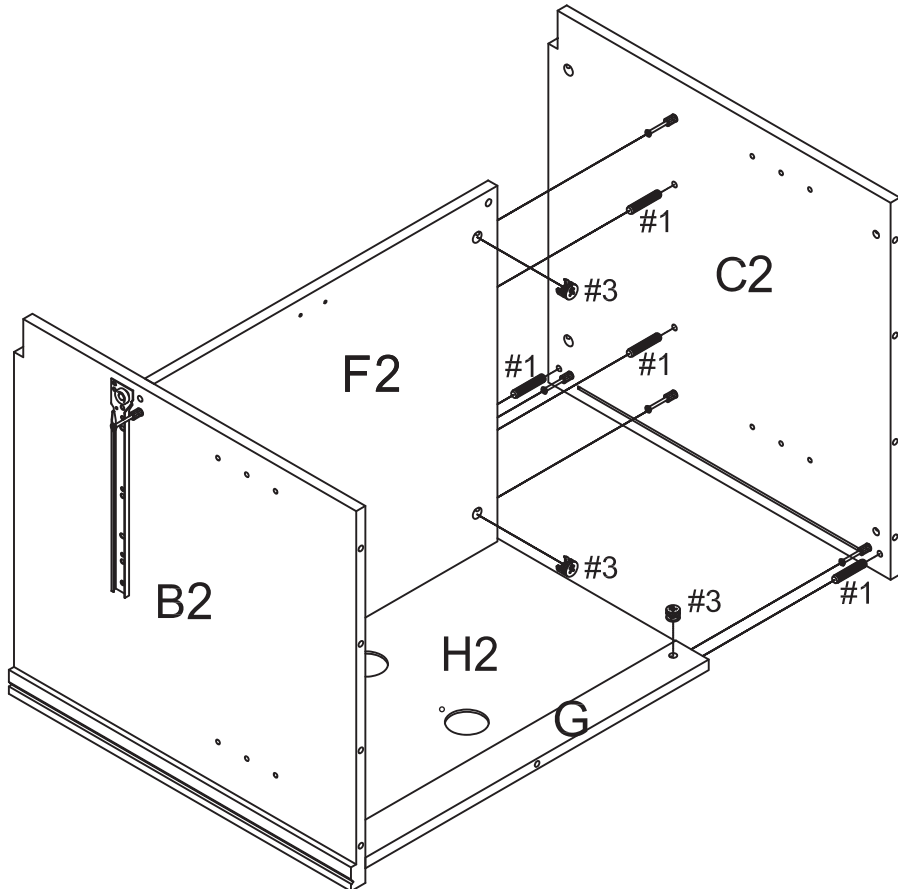
Step 2. Attach fixed shelf (part F2) and back horizontal rails (part G) to left vertical panel (part B2) using wood dowels (part #1) and cam locks (part #3). Slide middle back panel (part H2) into the grooves of back horizontal rails (part G).

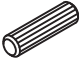

NOTE: Cam locks must rotate a full 180°. See pictured insert.



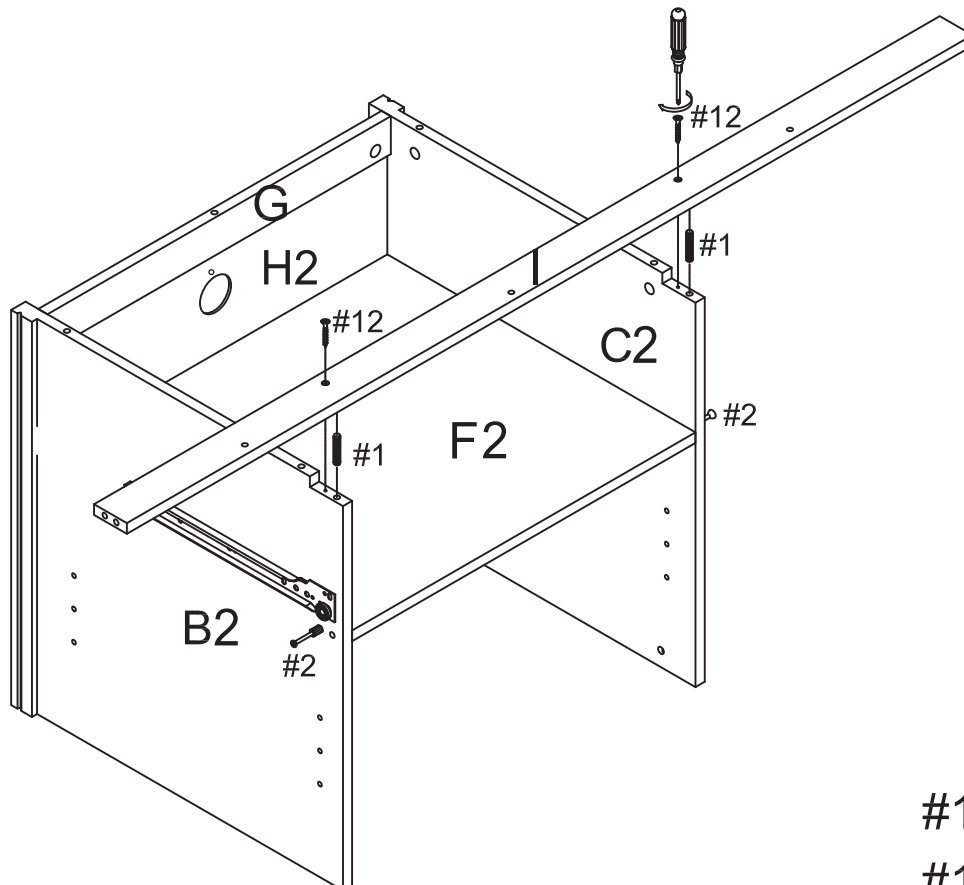
Step 3. Attach right vertical panel (part C2) to assembled unit (parts F2, G & H2) using wood dowels (part #1) and cam locks (part #3).


NOTE: Cam locks must rotate a full 180°. See pictured insert.



- #1  x 4
- #3  x 4

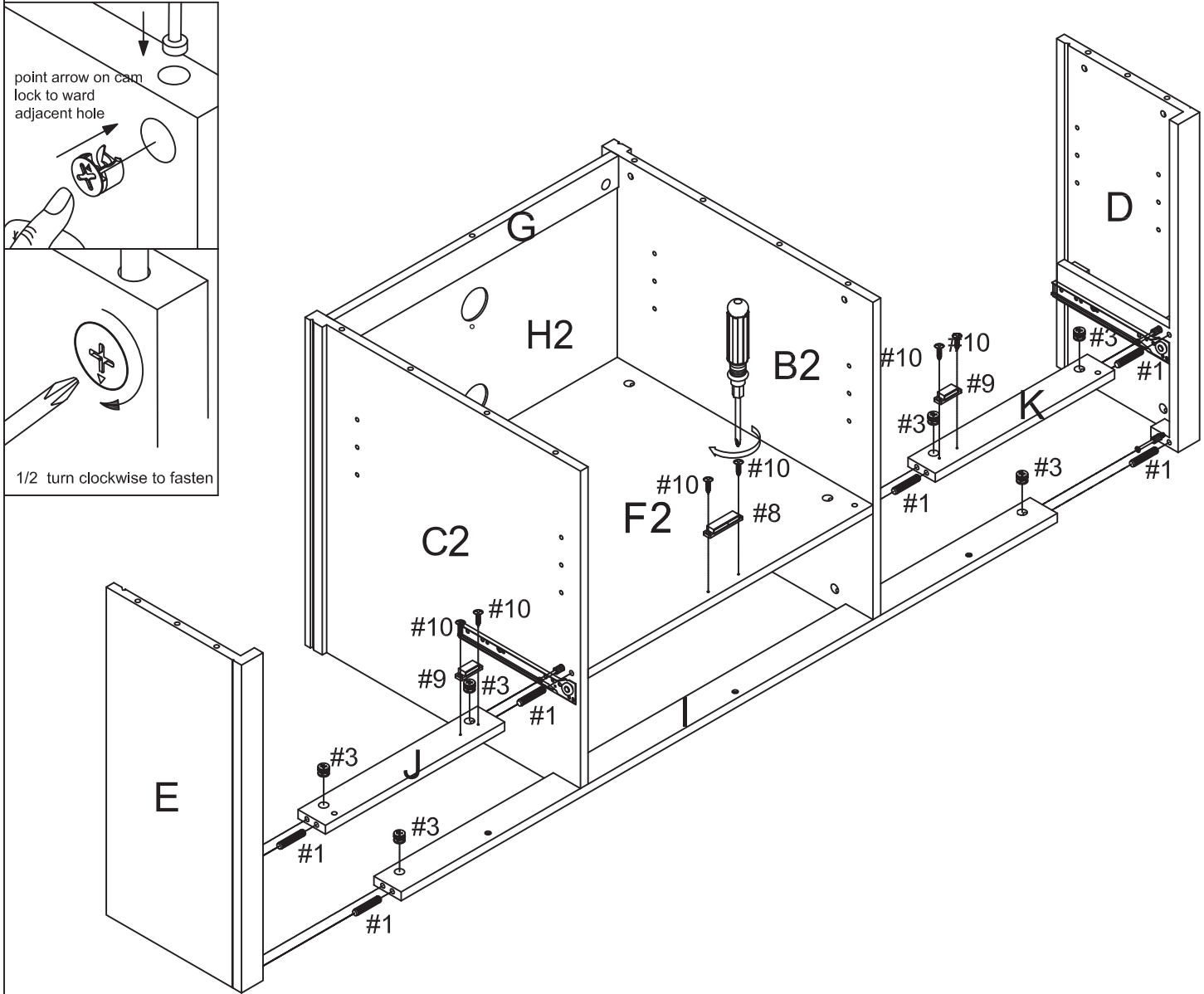
Step 4. Carefully turn unit upright. Attach top horizontal rail (part I) to left vertical panel (part B2) and right vertical panel (part C2) using wood dowels (part #1), long screws (part #12) and phillips head screwdriver.

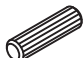






- #1  x 2
- #12  x 2

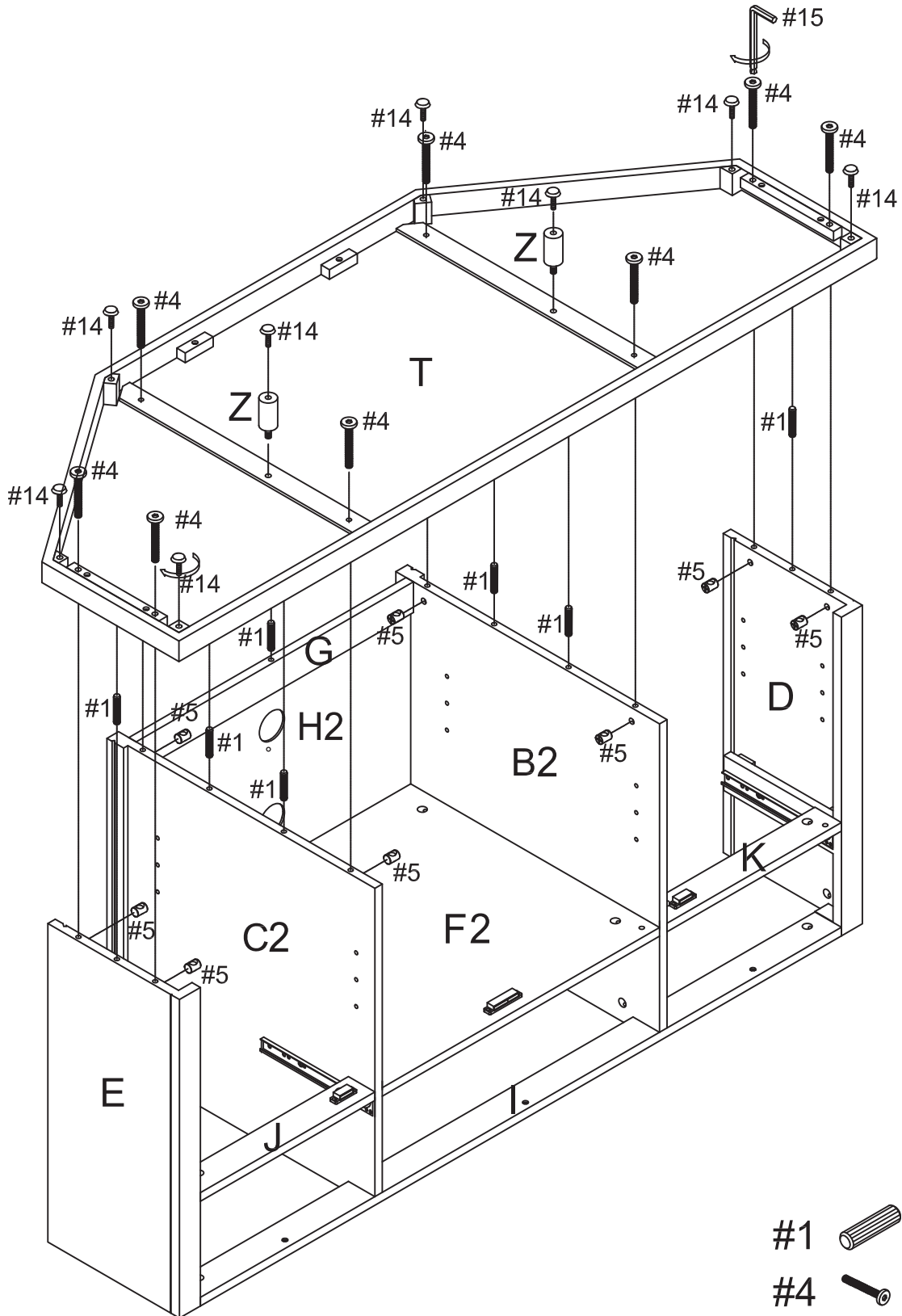
Step 5. Attach right horizontal rail (part J) to right vertical panel (part C2) and left horizontal rail (part K) to left vertical panel (part B2) using wood dowels (part #1) and cam locks (part #3). Attach left panel (part D) to assembled unit (parts I & K) and right panel (part E) to assembled unit (parts I & J) using wood dowels (part #1) and cam locks (part #3). Attach double magnet (part #8) to fixed shelf (part F2) using round head screws (part #10) and phillips head screwdriver. Attach magnets (part #9) to right horizontal rail (part J) and left horizontal rail (part K) using round head screws (part #10) and phillips head screwdriver.

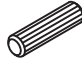




NOTE: Cam locks must rotate a full 180°. See pictured insert.



- | | | |
|-----|---|-----|
| #1 |  | x 6 |
| #3 |  | x 6 |
| #8 |  | x 1 |
| #9 |  | x 2 |
| #10 |  | x 6 |

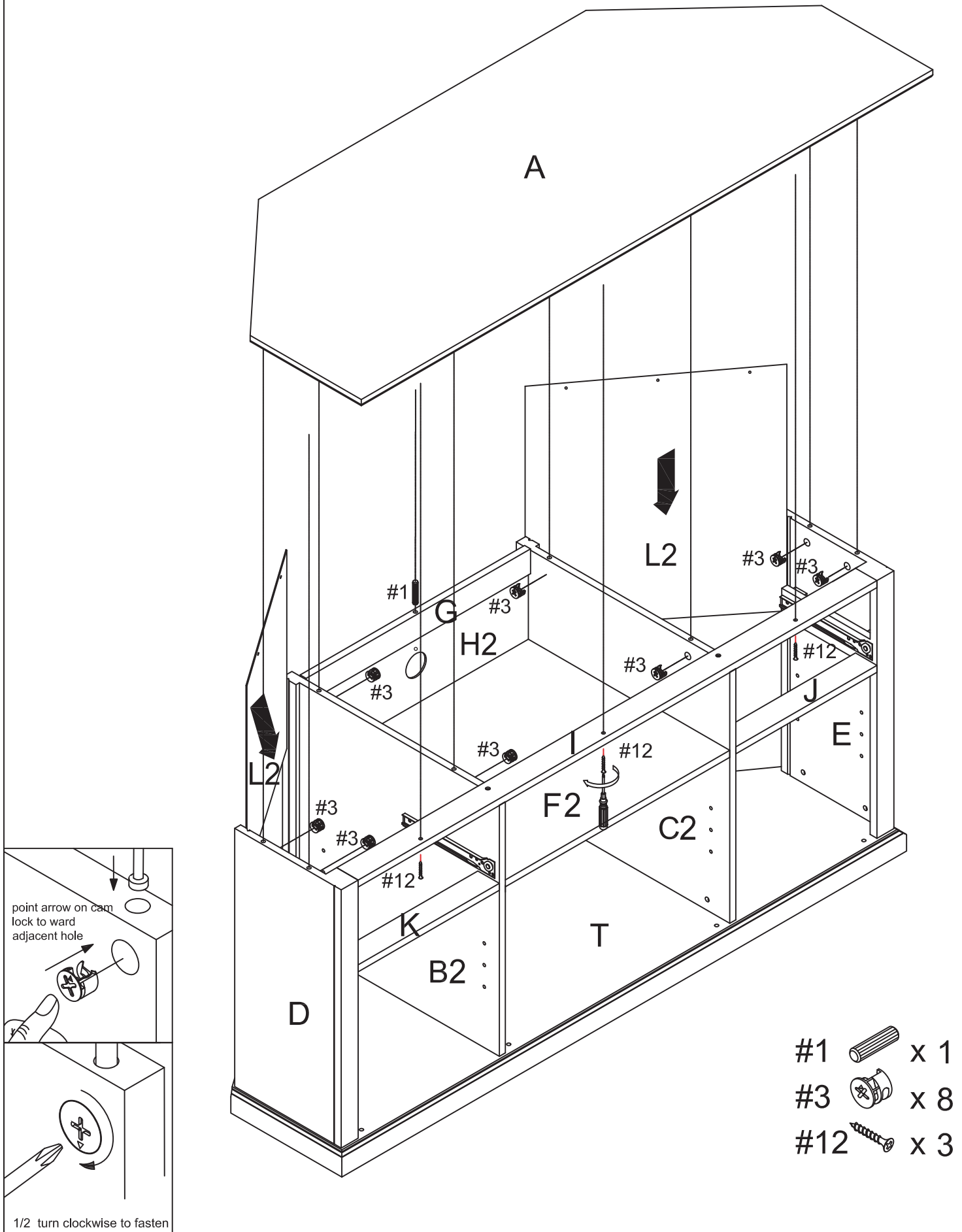
Step 6. Attach bottom panel (part T) to assembled unit (parts B2, C2, D, E & G) using wood dowels (part #1), hex socket head bolts (part #4), barrel nuts (part #5) and allen wrench (part #15). Insert adjustable levelers (part #14) into bottom panel (part T) and support legs (part Z). Attach support legs (part Z) to bottom panel (part T).






- #1  x 7
- #4  x 8
- #5  x 8
- #14  x 8
- #15  x 1

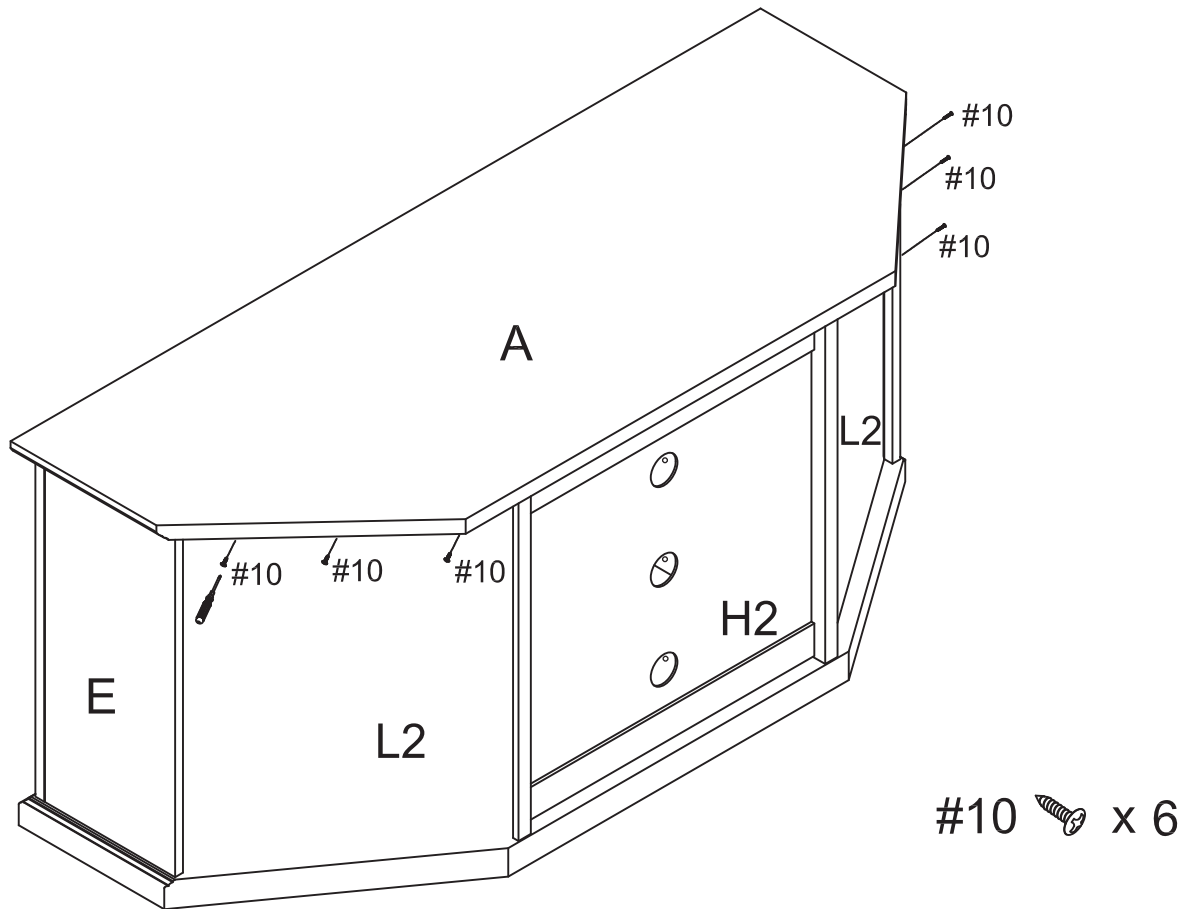
Step 7. Slide back panels (part L2) into the grooves of assembled unit (parts B2, C2, D & E). Attach top panel (part A) to assembled unit (parts B2, C2, D, E, G & I) using wood dowel (part #1), cam locks (part #3), long screws (part #12) and phillips head screwdriver.

NOTE: Cam locks must rotate a full 180°. See pictured insert.



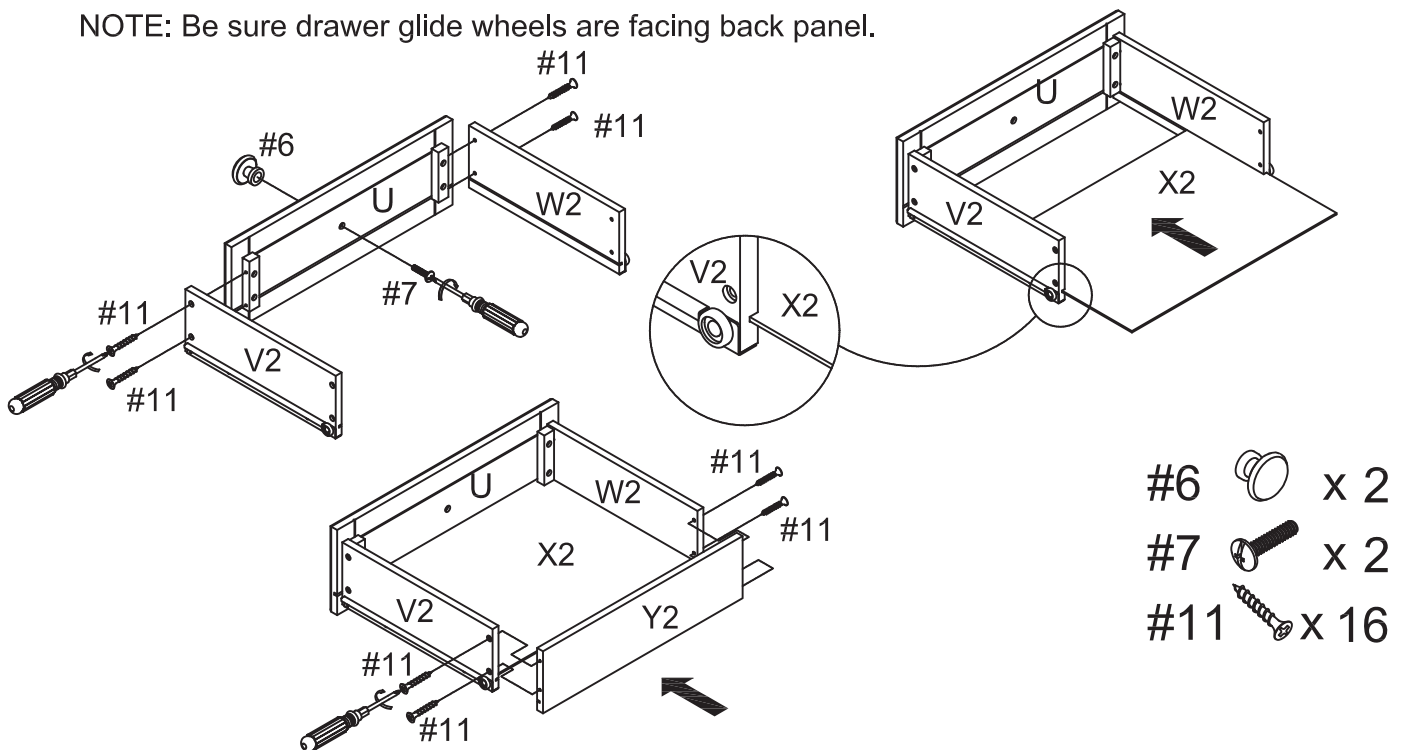
- #1  x 1
- #3  x 8
- #12  x 3

Step 8. Secure back panels (part L2) to top panel (part A) using round head screws (part #10) and phillips head screwdriver.



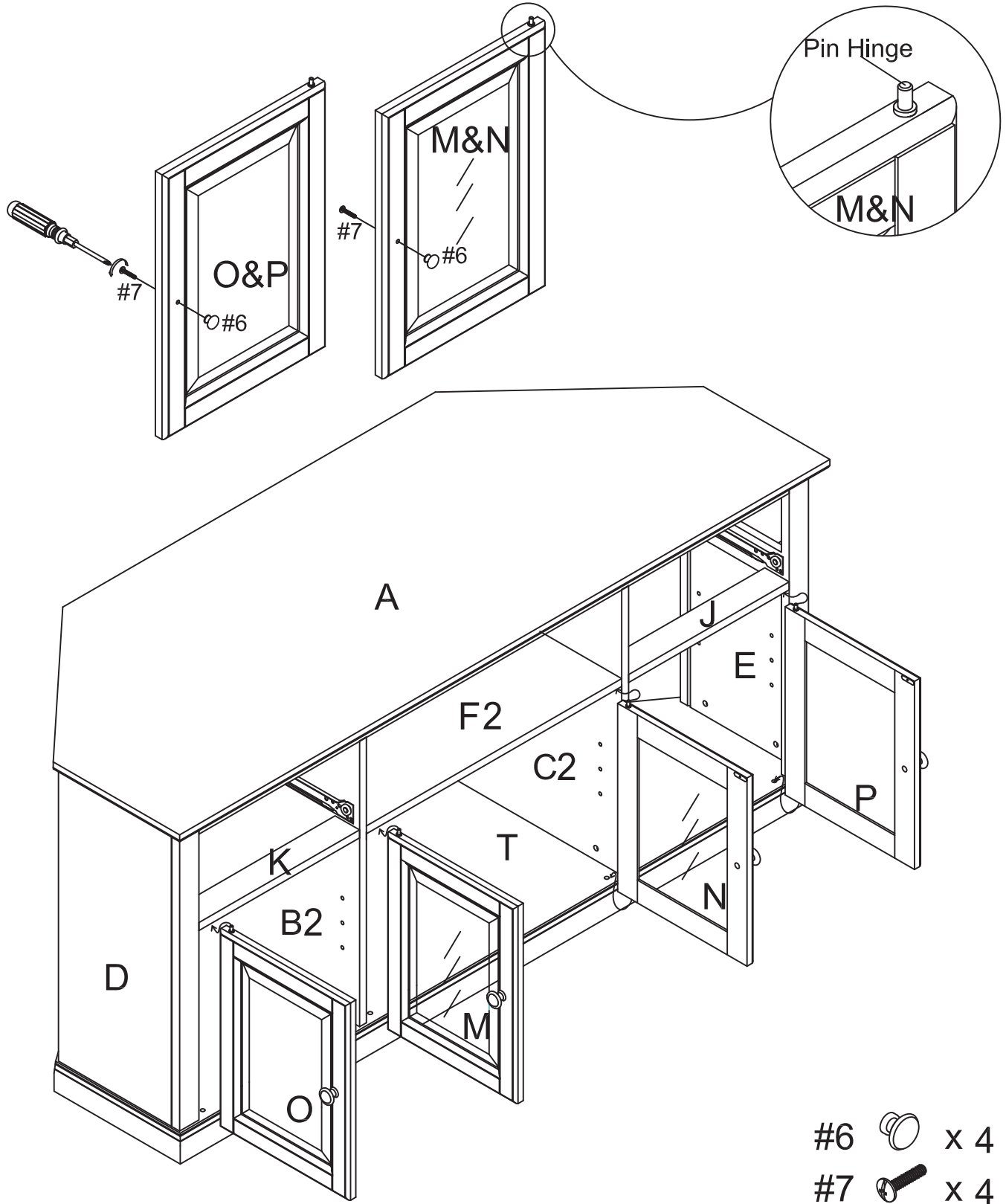
Step 9. Attach drawer right panel (part V2) and drawer left panel (part W2) to drawer front panel (part U) using short screws (part #11) and phillips head screwdriver. Attach knob (part #6) to drawer front panel (part U) using round head bolt (part #7) and phillips head screwdriver. Slide drawer bottom panel (part X2) into the grooves of assembled unit (parts U, V2 & W2). Attach drawer back panel (part Y2) to assembled unit (parts V2, W2 & X2) using short screws (part #11) and phillips head screwdriver. Repeat for remaining drawer.

NOTE: Be sure drawer glide wheels are facing back panel.

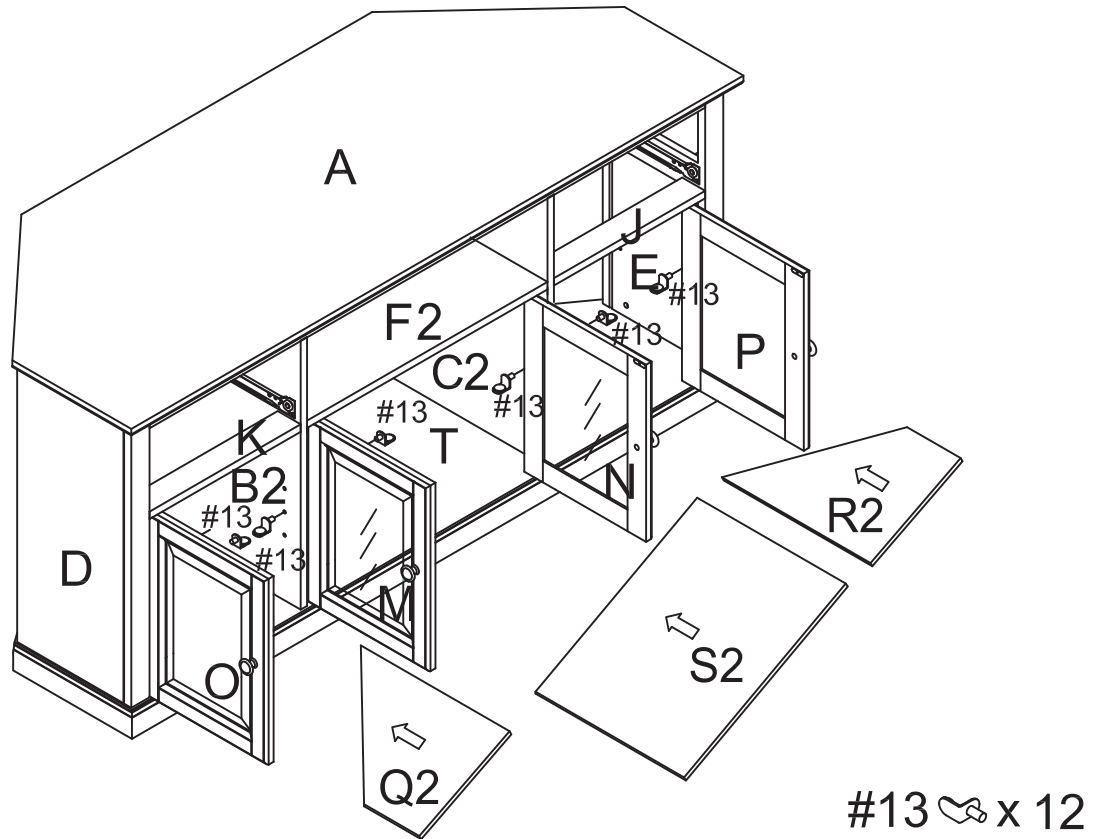


Step 10. Attach knobs (part #6) to left middle door panel (part M), right middle door panel (part N), left door panel (part O) and right door panel (part P) using round head bolts (part #7) and phillips head screwdriver. Attach left middle door panel (part M), right middle door panel (part N), left door panel (part O) and right door panel (part P) by placing bottom pin hinge (pre-installed in door) in the pre-drilled holes of bottom panel (part T). Then depress the top spring-loaded pin hinge so it can be placed in the pre-drilled holes of fixed shelf (part F2), right horizontal rail (part J) and left horizontal rail (part K).

NOTE: Be sure top and bottom pin hinges are fully extended to secure doors in place.



Step 11. Insert shelf holders (part #13) into desired position and then slide left adjustable shelf (part Q2), right adjustable shelf (part R2) and middle adjustable shelf (part S2) into place.



Step 12. Slide assembled drawers into place.

