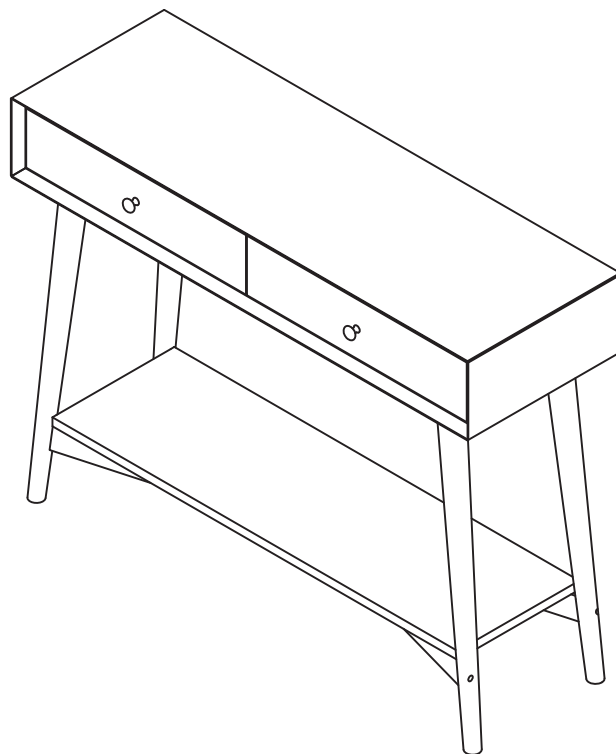


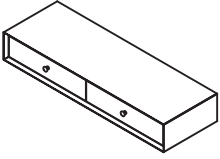
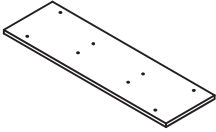
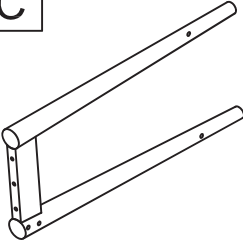
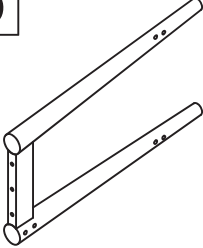
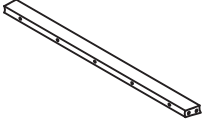
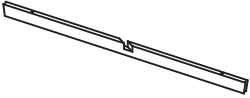
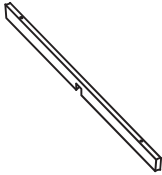
CROSLEY

FURNITURE


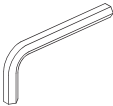


Console Table CF6119



PART LIST

				
<p>Top Panel 1 PC</p>	<p>Bottom Panel 1 PC</p>	<p>Left Side Frame 1 PC</p>	<p>Right Side Frame 1 PC</p>	<p>Back Rail 1 PC</p>
				
<p>Front Bottom Rail 1 PC</p>	<p>Back Bottom Rail 1 PC</p>			

HARDWARE LIST

			
<p>Allen Bolt 19 PCS (Extra 1)</p>	<p>M4 Allen Wrench 1 PC</p>	<p>M8 x 30 Wood Dowel 12 PCS (Extra 1)</p>	<p>Safety Strap Kit 1 PC</p>

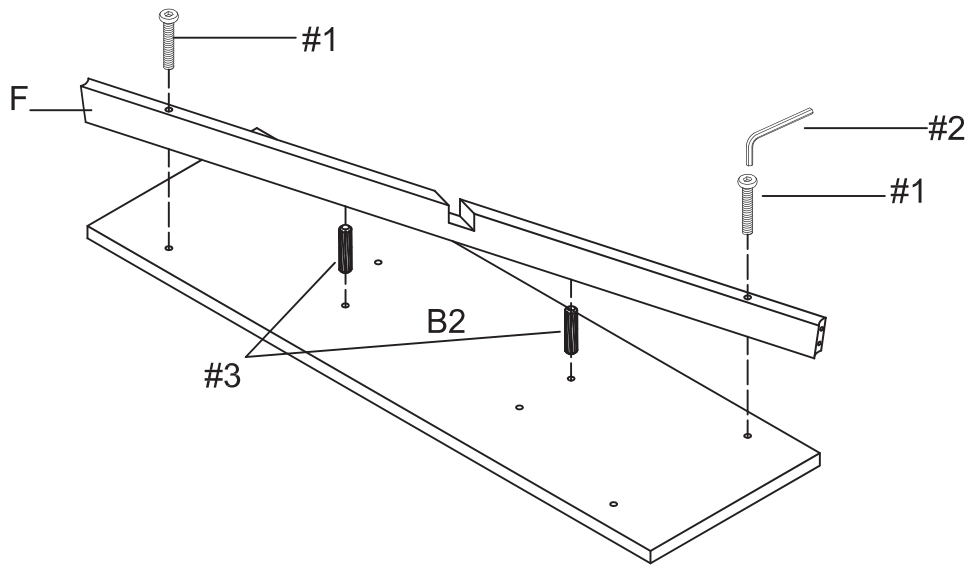
ADDITIONAL TOOLS (Not Provided)


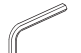

Note: It is not recommended to use power tools during assembly.



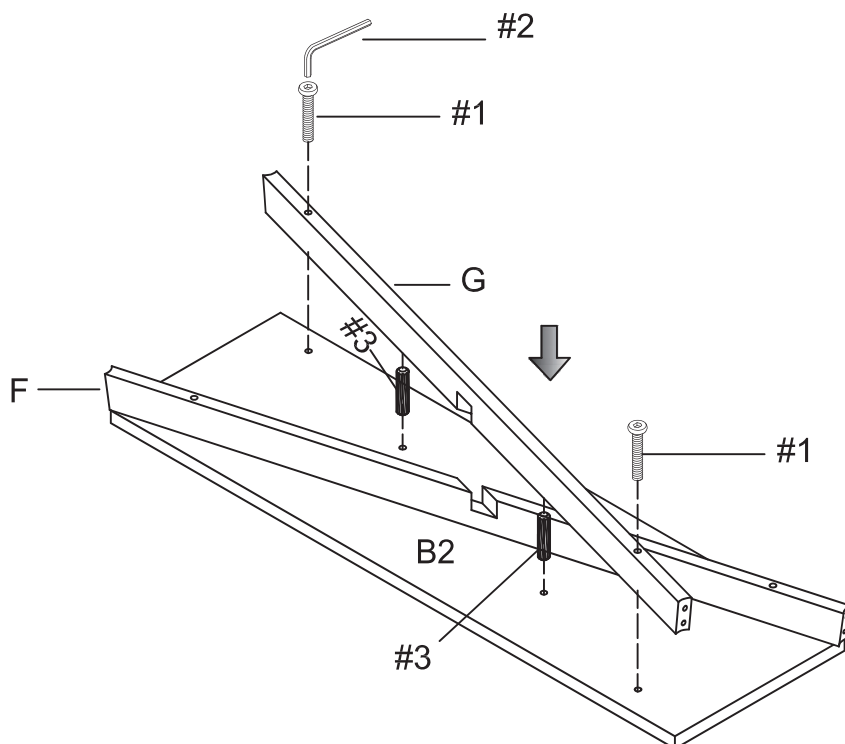
Phillips Head Screwdriver


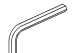

Step 1. Lay bottom panel (part B2) upside down on a soft surface, such as carpet, as shown below. Attach front bottom rail (part F) to bottom panel (part B2) using allen bolts (part #1), wood dowels (part #3) and allen wrench (part #2).



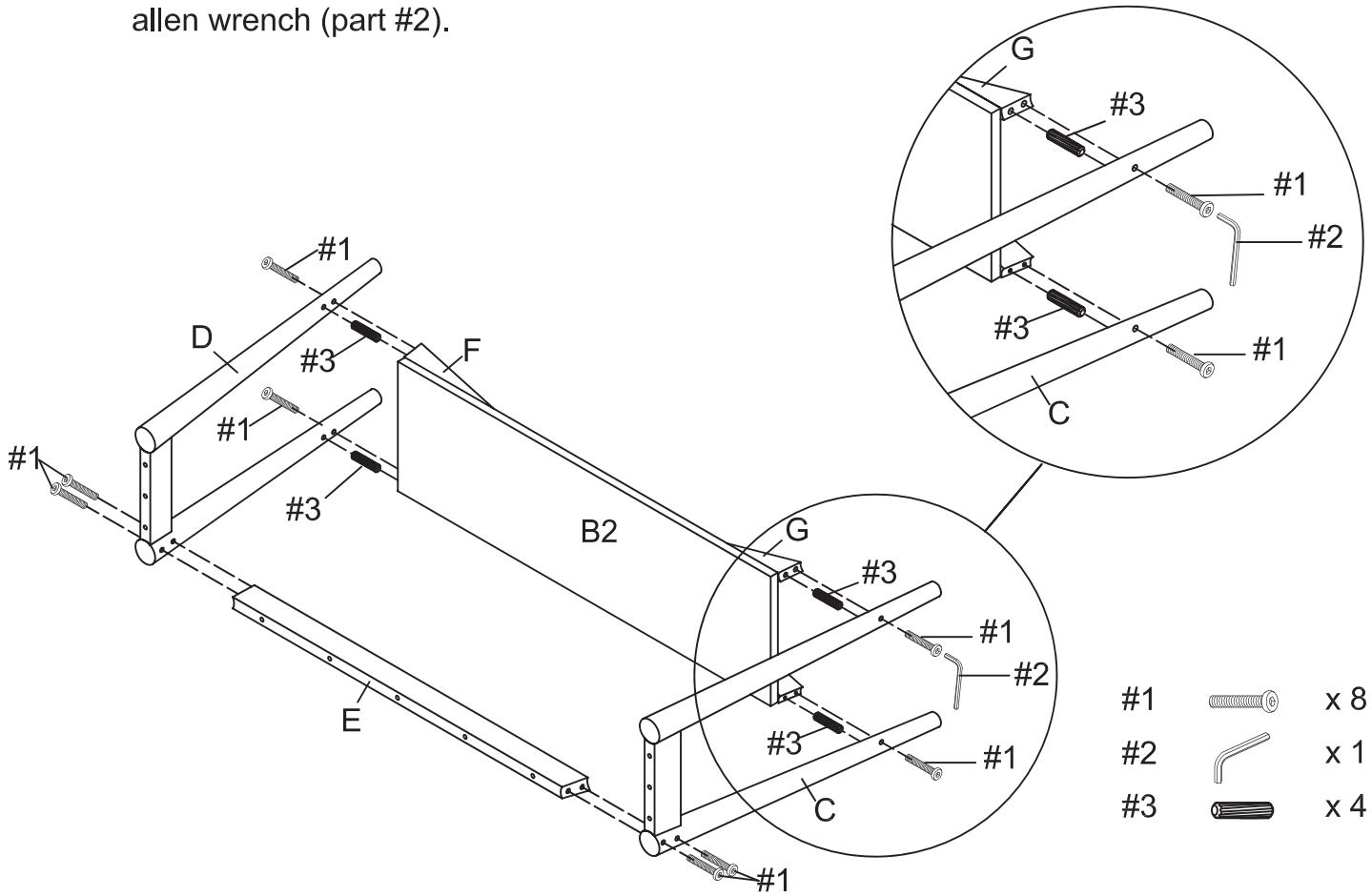
#1		x 2
#2		x 1
#3		x 2

Step 2. Attach back bottom rail (part G) to bottom panel (part B2) using allen bolts (part #1), wood dowels (part #3) and allen wrench (part #2).

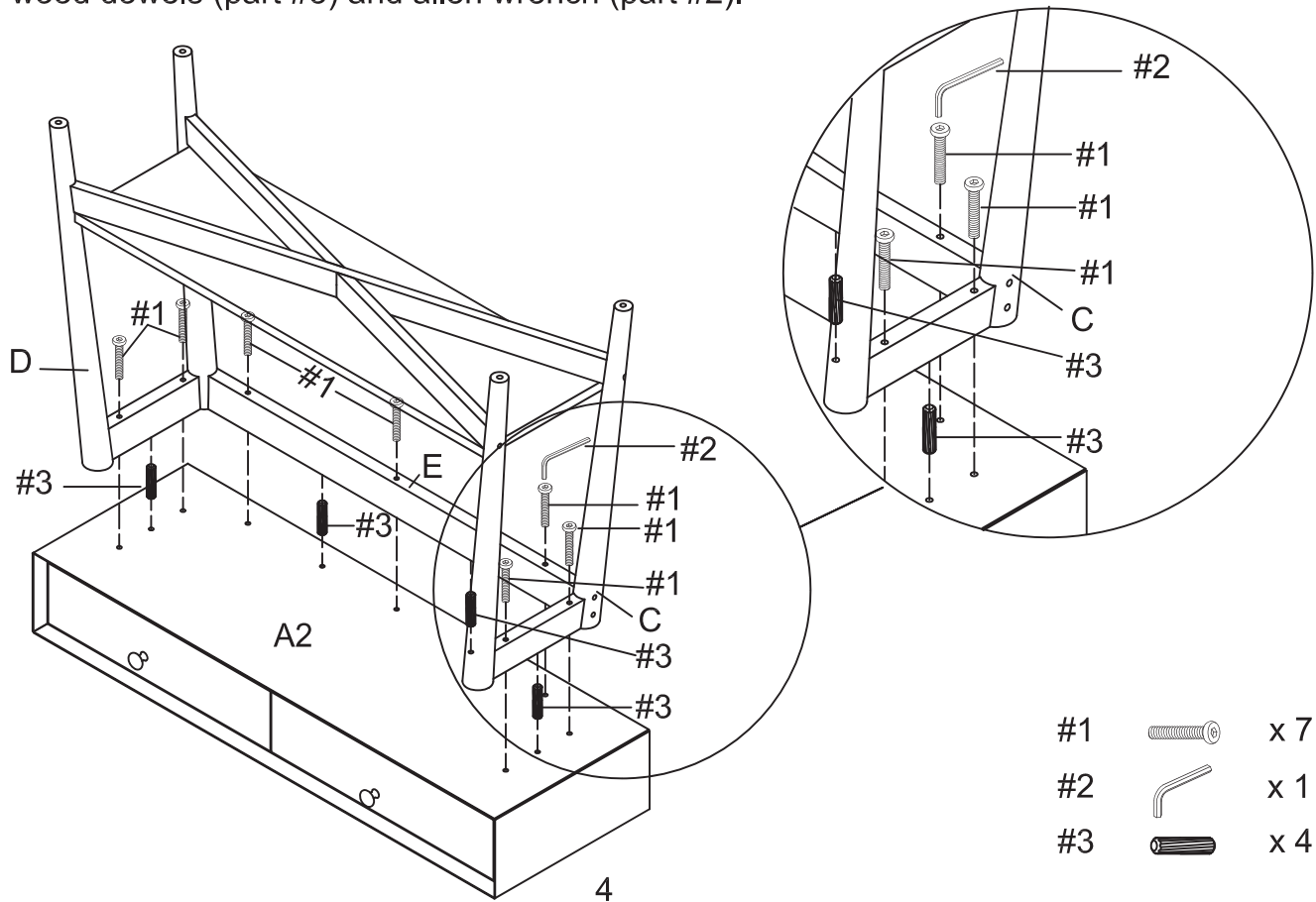


#1		x 2
#2		x 1
#3		x 2

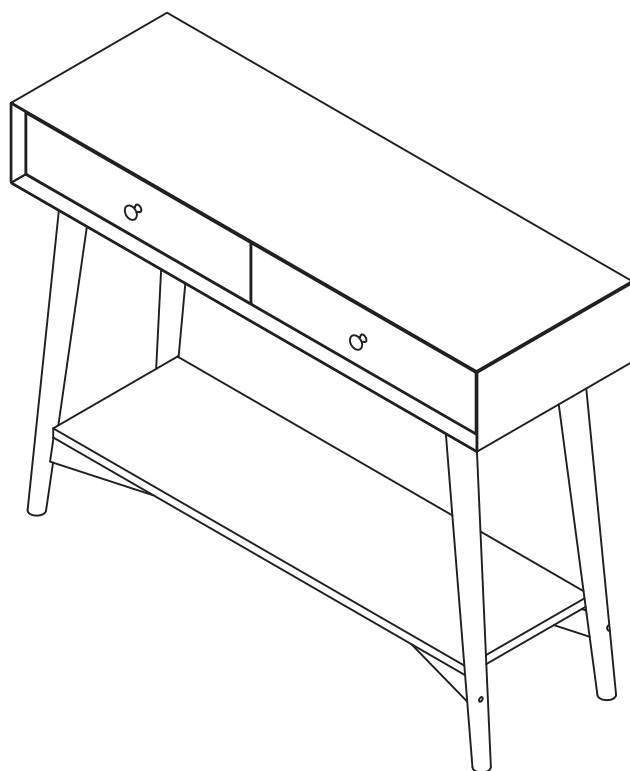
Step 3. Attach assembled unit (parts B2, F & G) and back rail (part E) to left side frame (part C) and right side frame (part D) using allen bolts (part #1), wood dowels (part #3) and allen wrench (part #2).


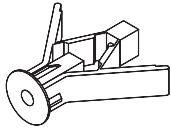

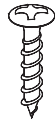

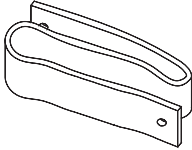


Step 4. Lay top panel (part A2) upside down on a soft surface, such as carpet, as shown below. Attach assembled unit (parts C, D & E) to top panel (part A2) using allen bolts (part #1), wood dowels (part #3) and allen wrench (part #2).



Step 5. Carefully turn unit upright.



#4 	A 	B 	C  D8*3/4"	D  D8*1-1/2"	E 
Safety Strap Kit 1 SET	Wall Anchor 1 PC	Washer 2 PCS	Short Screw 1 PC	Long Screw 1 PC	Safety Wall Strap 1 PC

SAFETY WALL STRAP INSTALLATION

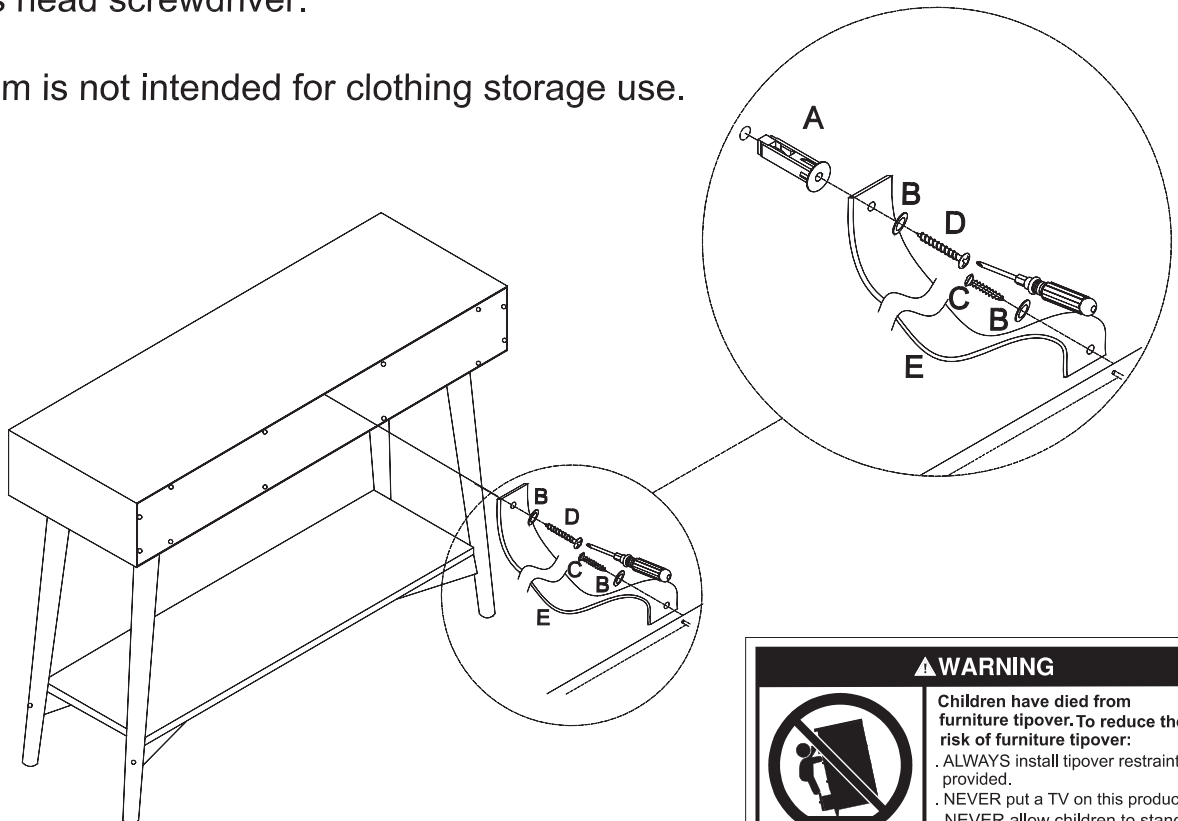
Note: It is highly recommended to install this safety strap kit to prevent tipping, damage and/or injury.

1. Insert short screw (C) through washer (B) and safety wall strap (E) and attach to top panel (part A2) using phillips head screwdriver.

2. Drill a 11/32" hole where you want to secure the unit. The drilled hole will be at the same height as the hole in top panel (part A2) where the safety wall strap (E) is attached. Tap wall anchor (A) into the hole.

3. Insert long screw (D) through washer (B) and safety wall strap (E) into wall anchor (A) using phillips head screwdriver.

Note: This item is not intended for clothing storage use.



▲ WARNING	
	Children have died from furniture tipover. To reduce the risk of furniture tipover: <ul style="list-style-type: none"> . ALWAYS install tipover restraint provided. . NEVER put a TV on this product. . NEVER allow children to stand, climb or hang on drawers, doors, or shelves. . NEVER open more than one drawer at a time. . Place heaviest items in the lowest drawers.
	<p style="text-align: right;"><i>This is a permanent label. Do not remove!</i></p>