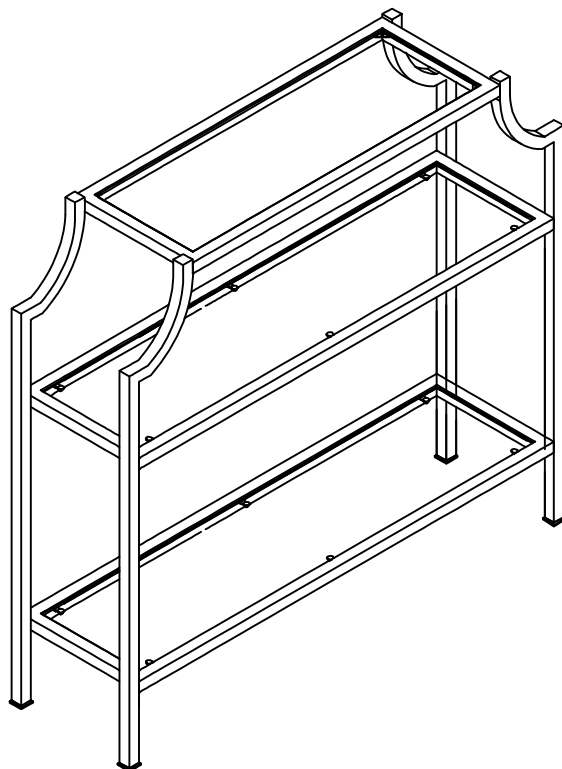


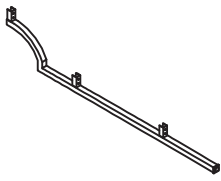
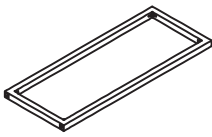
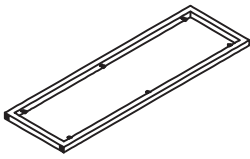
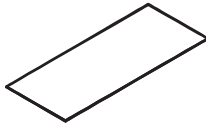
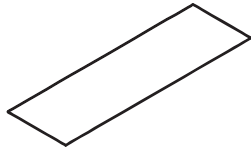
CROSLEY

FURNITURE


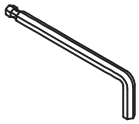


Glass Console Table
CF1307



PART LIST

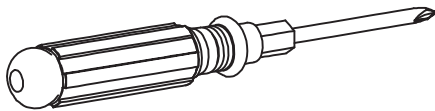
				
<p>Leg 4 PCS</p>	<p>Top Shelf Frame 1 PC</p>	<p>Shelf Frame 2 PCS</p>	<p>Top Glass Shelf 1 PC</p>	<p>Glass Shelf 2 PCS</p>

HARDWARE LIST

			
<p>1/2"x 1/4" xD10 Bolt 25 PCS (Extra 1)</p>	<p>Allen Wrench 1 PC</p>	<p>Safety Strap Kit 1 Set</p>	<p>Suction Cup Extra</p>

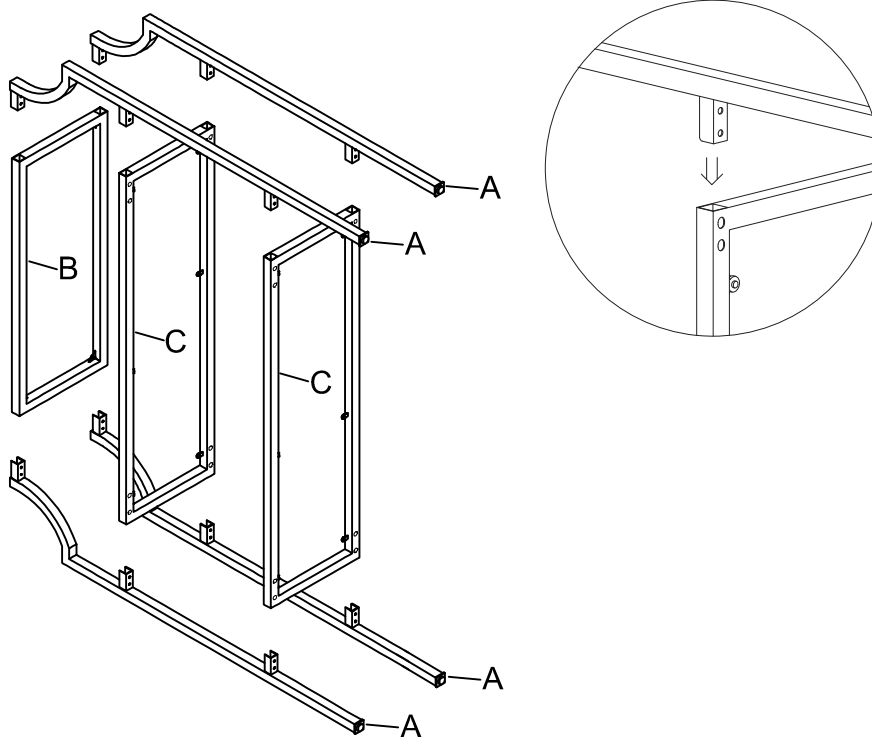
ADDITIONAL TOOLS (Not Provided)

Note: It is not recommended to use power tools during assembly.



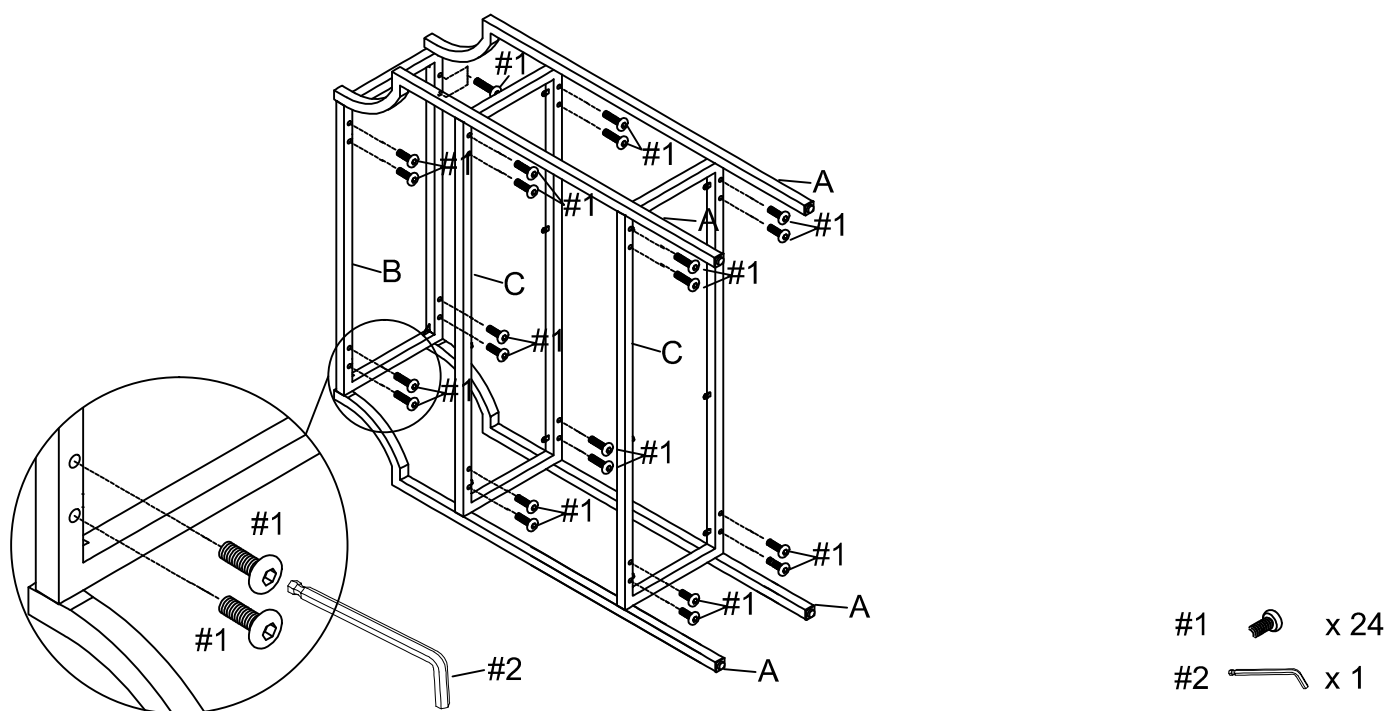
Phillips Head Screwdriver

Step 1. Lay 2 legs (part A) down on a flat surface, such as carpet, as shown below. Insert top shelf frame (part B) and shelf frames (part C) into brackets of legs (part A). Attach remaining 2 legs (part A) by inserting brackets into top shelf frame (part B) and shelf frames (part C).



Step 2. Attach top shelf frame (part B) and shelf frames (part C) to the legs (part A) using bolts (part #1) and allen wrench (part #2).

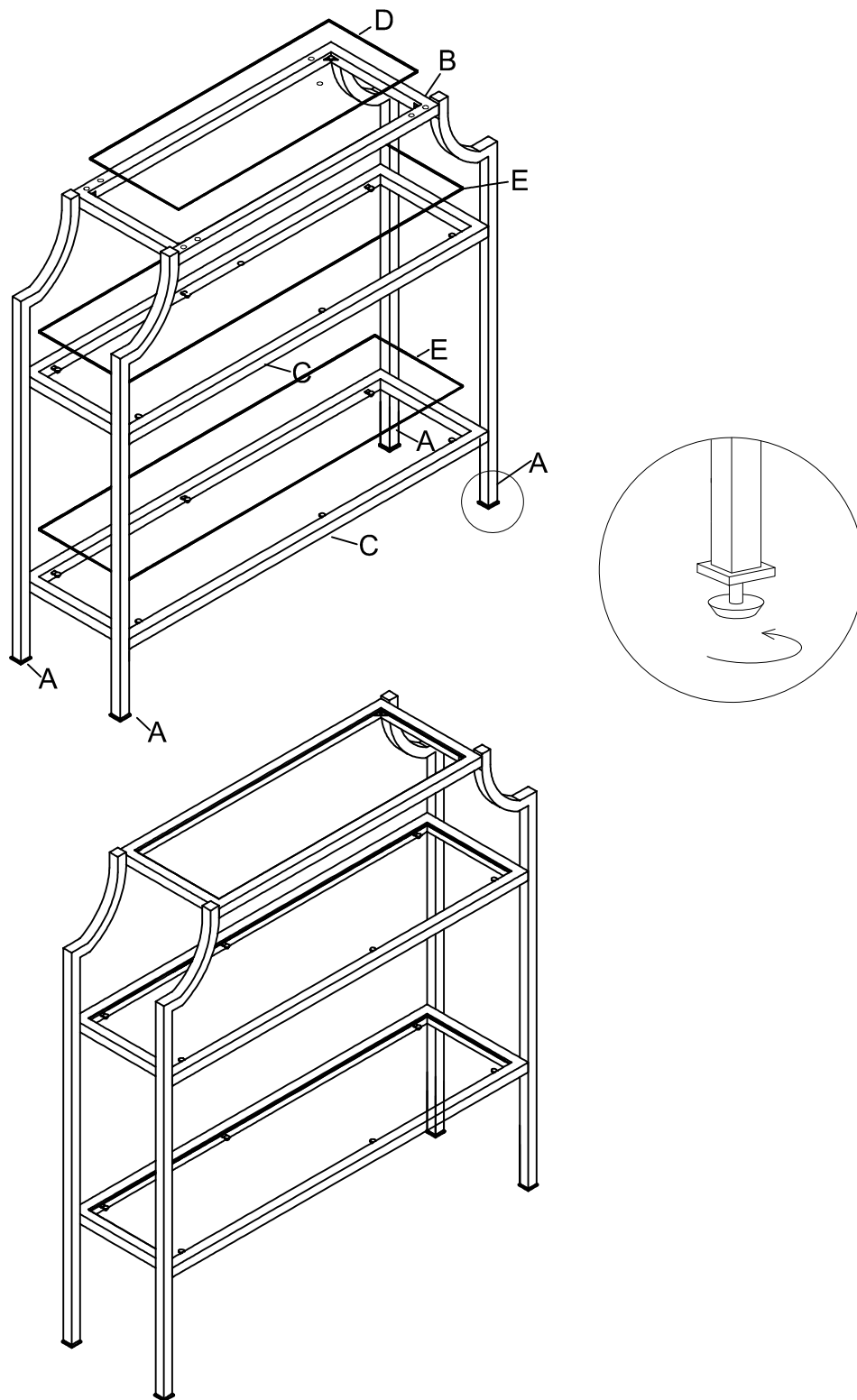
NOTE: Please do not fully tighten bolts until all of them are in place.

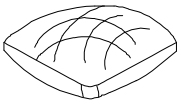
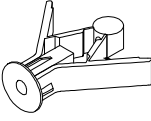
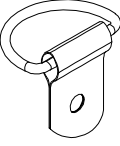

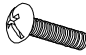



Step 3. Carefully turn unit upright. Install top glass shelf (part D) and glass shelves (part E) into the frame as shown below.

Note: It is important to adjust levelers once fully assembled and upright.

Extend adjustable levelers until it's firmly in contact with the floor. If relocating, adjust leveler as needed until it's firmly in contact with the floor in new location.



#3	A	B	C	D	E
			 D8*1/2"	 D10*1/2"	
SAFETY STRAP KIT 1 SET	WALL ANCHOR 1 PC	HOOK 2 PCS	SCREW 1 PC	BOLT 1 PC	SAFETY WALL STRAP 1 PC

SAFETY WALL STRAP INSTALLATION

Note: It is highly recommended to install this safety strap kit to prevent tipping, damage and/or injury.

1. Attach hook (B) to predrilled hole in top shelf frame (part B). Using bolt (D) and a phillips head screwdriver.
2. Drill a 1 1/32" hole in the wall where this unit will be secured. The drilled hole will be at the same height as the hole in top shelf frame (part B) where hook (B) was attached. Tap wall anchor (A) into the drilled hole.
3. Attach hook (B) to wall anchor (A) using screw (C) and phillips head screwdriver.
4. Insert safety wall strap (E) through both hooks (B) and tighten to secure.

Note: This item is not intended for clothing storage use.

