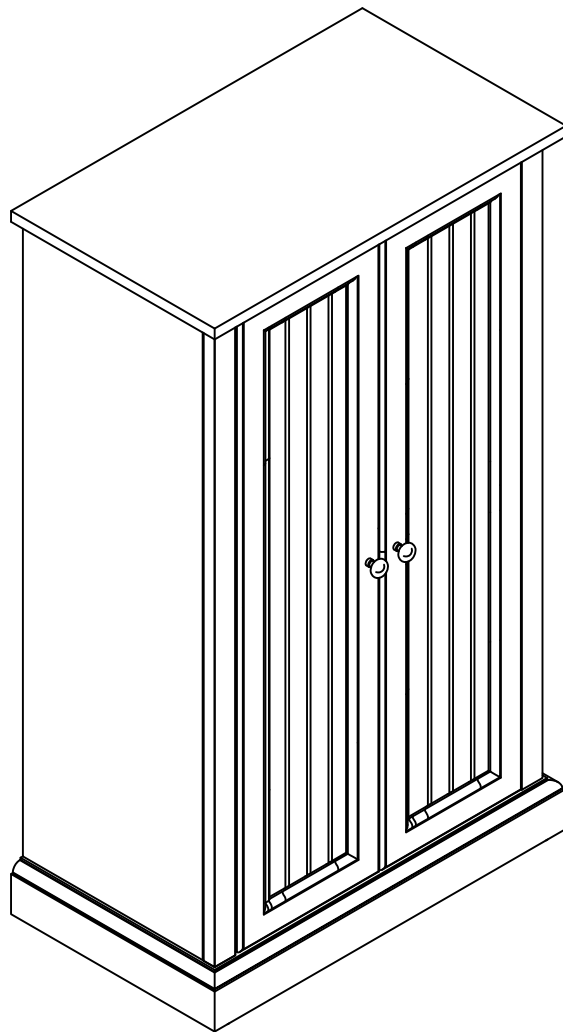
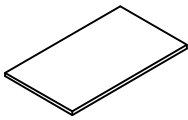
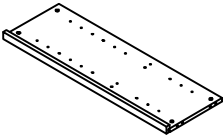
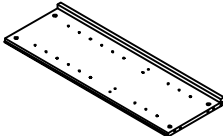
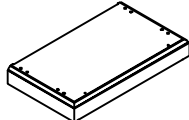
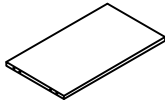
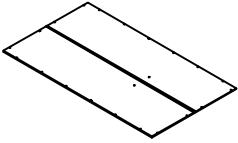
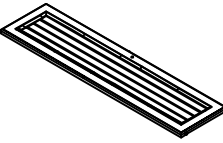
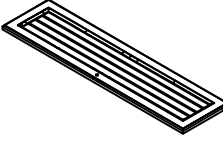
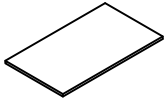


CROSLEY
FURNITURE

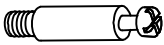


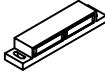





Accent Cabinet
CF3106



PART LIST

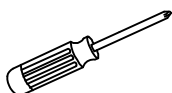
				
Top Panel 1 PC	Left Panel 1 PC	Right Panel 1 PC	Bottom Panel 1 PC	Fixed Shelf 1 PC
				
Back Panel 1 PC	Left Door Panel 1 PC	Right Door Panel 1 PC	Adjustable Shelf 3 PCS	

HARDWARE LIST

		 $\phi 8 \times 30 \text{mm}$		 $\phi 3 \times 12 \text{ mm}$
Cam Bolt 12 PCS (Extra 1)	Cam Lock 12 PCS (Extra 1)	Wood Dowel 12 PCS (Extra 1)	Double Magnet 1 PC	Round Head Screw 24 PCS (Extra 1)
 $\phi 5 / 32 \times 19 \text{ mm}$				
Round Head Bolt 2 PCS	Knob 2 PCS	Shelf Holder 12 PCS	Safety Strap Kit 1 SET	

ADDITIONAL TOOLS (Not Provided)

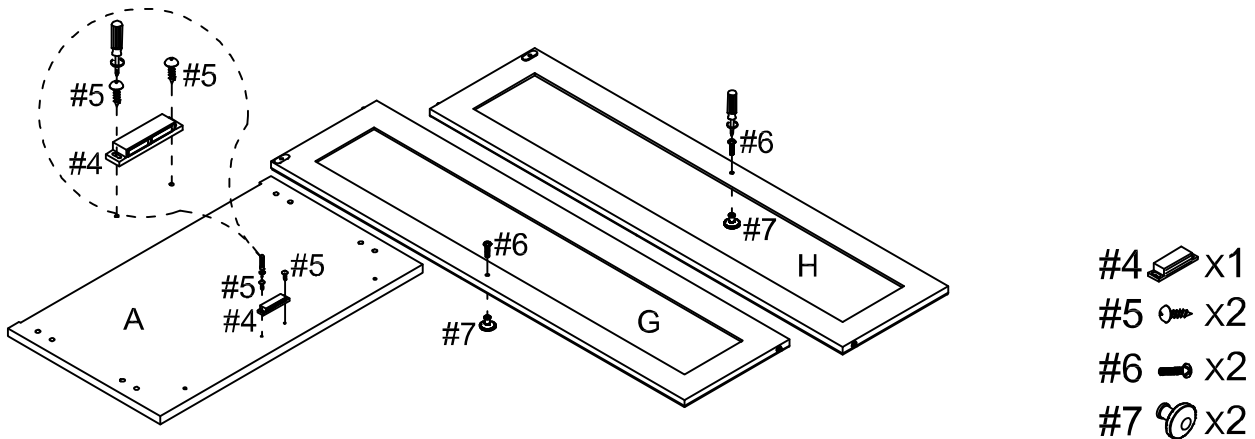
Note: It is not recommended to use power tools during assembly.



Phillips Head Screwdriver

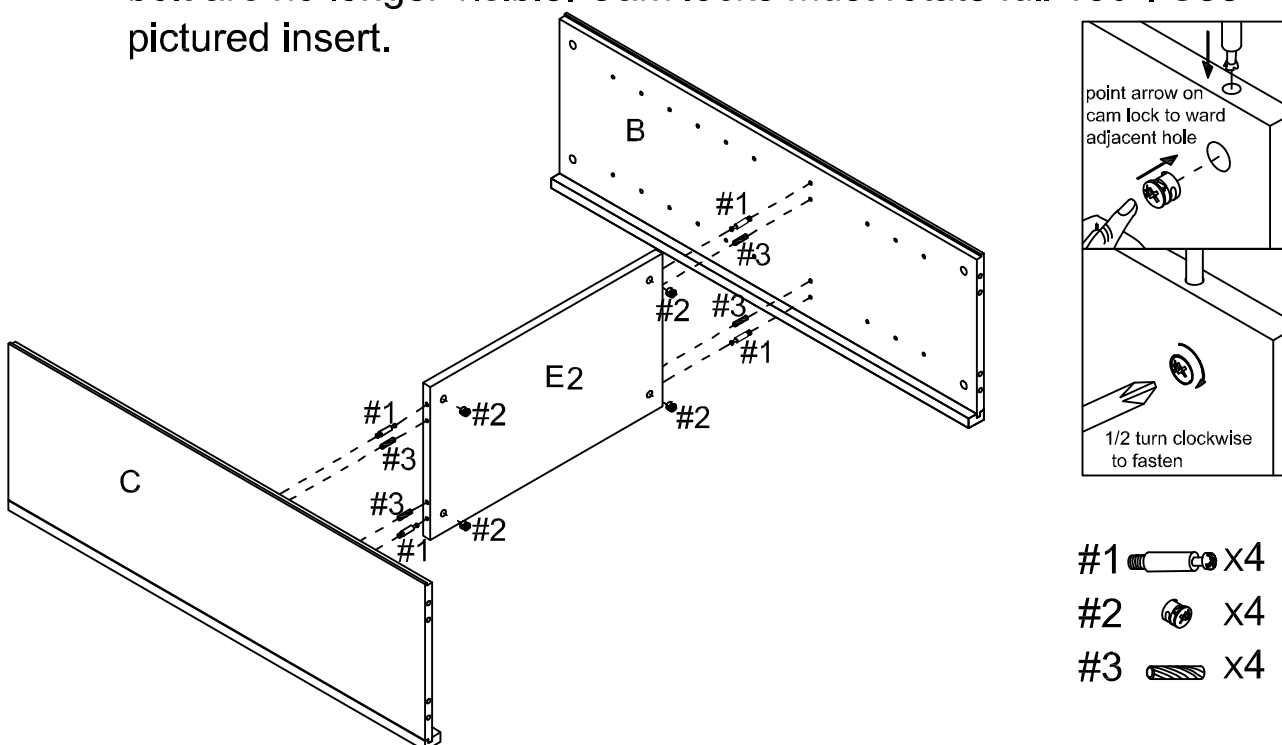
Note: Wood dowels are intended for alignment. Additional clearance between wood dowel and pre-drilled hole is intentional for ease of assembly.

Step 1. Attach knobs (part #7) to door panels (parts G & H) using round head bolts (part #6) and phillips head screwdriver. Attach double magnet (part #4) to top panel (part A) using round head screws (part #5) and phillips head screwdriver.



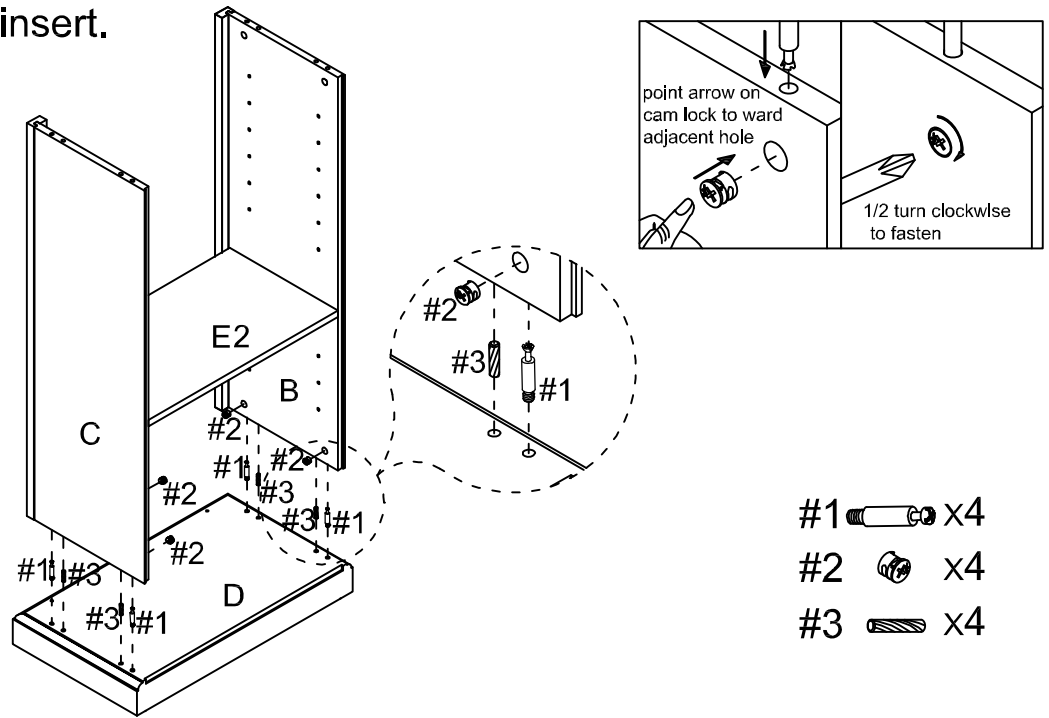
Step 2. Attach fixed shelf (part E2) to panels (parts B & C) using cam bolts (part #1), cam locks (part #2), wood dowels (part #3) and phillips head screwdriver.

Note: Do not overtighten cam bolts. Stop tightening once threads on cam bolt are no longer visible. Cam locks must rotate full 180°. See pictured insert.



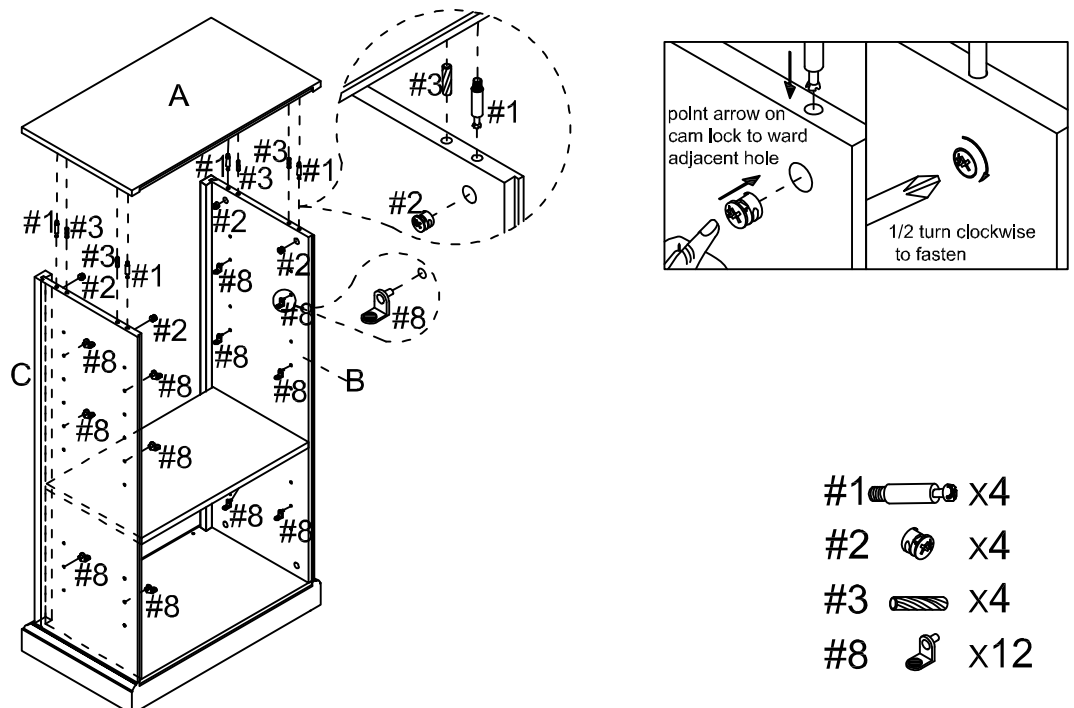
Step 3. Attach assembled unit (parts B, C & E2) to bottom panel (part D) using cam bolts (part #1), cam locks (part #2), wood dowels (part #3) and phillips head screwdriver.

Note: Do not overtighten cam bolts. Stop tightening once threads on cam bolt are no longer visible. Cam locks must rotate full 180°. See pictured insert.

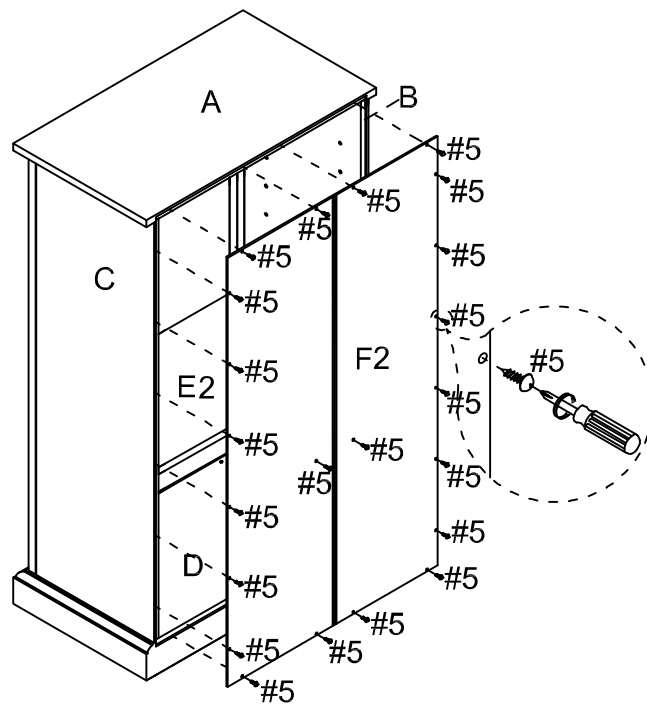


Step 4. Attach top panel (part A) to panels (parts B & C) using cam bolts (part #1), cam locks (part #2), wood dowels (part #3) and phillips head screwdriver. Place shelf holders (part #8) into desired position.

Note: Do not overtighten cam bolts. Stop tightening once threads on cam bolt are no longer visible. Cam locks must rotate full 180°. See pictured insert.

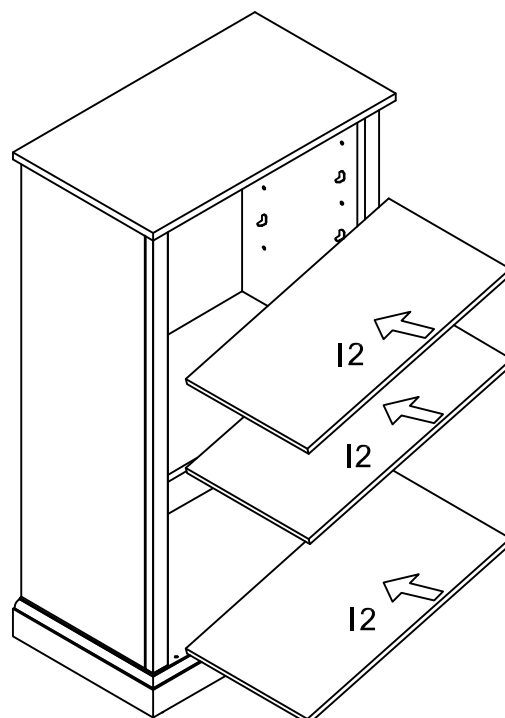


Step 5. Attach back panel (part F2) to assembled unit (parts A, B, C, D & E2) using round head screws (part #5) and phillips head screwdriver.



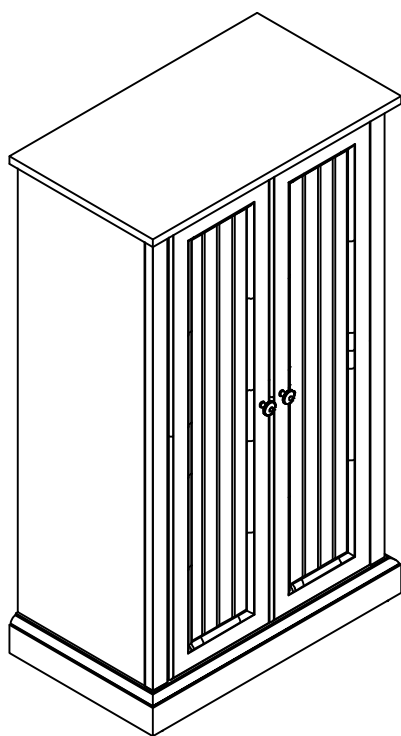
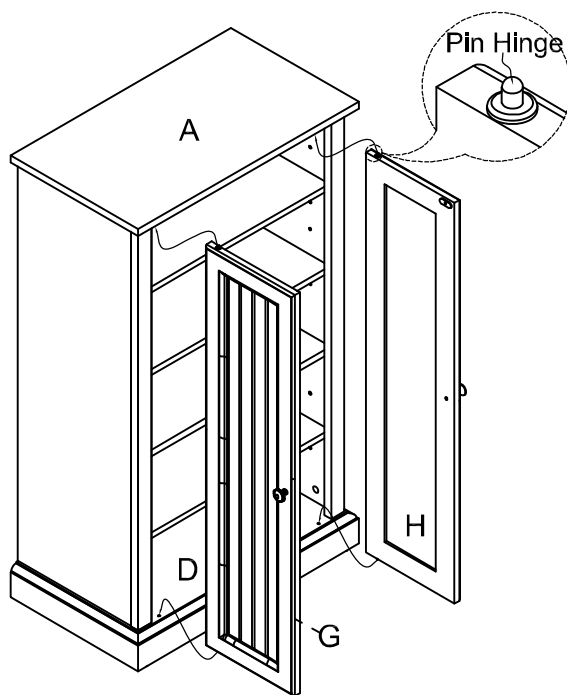
#5  x22







Step 6. Slide adjustable shelves (part I2) into place.



Step 7. Attach door panels (parts G & H) by placing bottom pin hinge (pre-installed in door) in the pre-drilled hole of bottom panel (part D). Then depress the top spring-loaded pin hinge so it can be placed in the pre-drilled hole of top panel (part A).

Note: Be sure top and bottom pin hinges are fully extended to secure doors in place.



#9	A	B	C	D	E
					
Safety Strap Kit 1 SET	Wall Anchor 1 PC	Bracket 2 PCS	5/8"x φ3xD8 Short Screw 1 PC	1-1/2"x φ4xD8 Long Screw 1 PC	Safety Wall Strap 1 PC

SAFETY WALL STRAP INSTALLATION

Note: It is highly recommended to install this safety strap kit to prevent tipping, damage and/or injury.

1. Insert short screw (C) and safety wall strap (E) through bracket (B) and attach to top panel (part A) using phillips head screwdriver.
2. Drill a 11/32" hole where you want to secure the unit. The drilled hole will be at the same height as the hole in top panel (part A) where bracket (B) is attached. Tap wall anchor (A) into the hole.
3. Insert long screw (D) and safety wall strap (E) through bracket (B) into wall anchor (A) using phillips head screwdriver.

Note: This item is not intended for clothing storage use.

