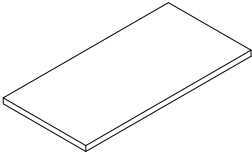
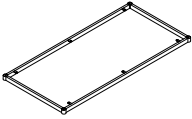
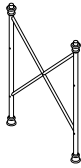
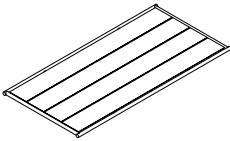
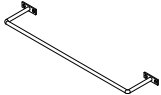




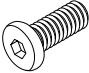
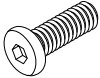
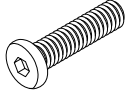
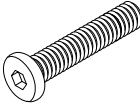

Kitchen Island  
CF3024



# PART LIST

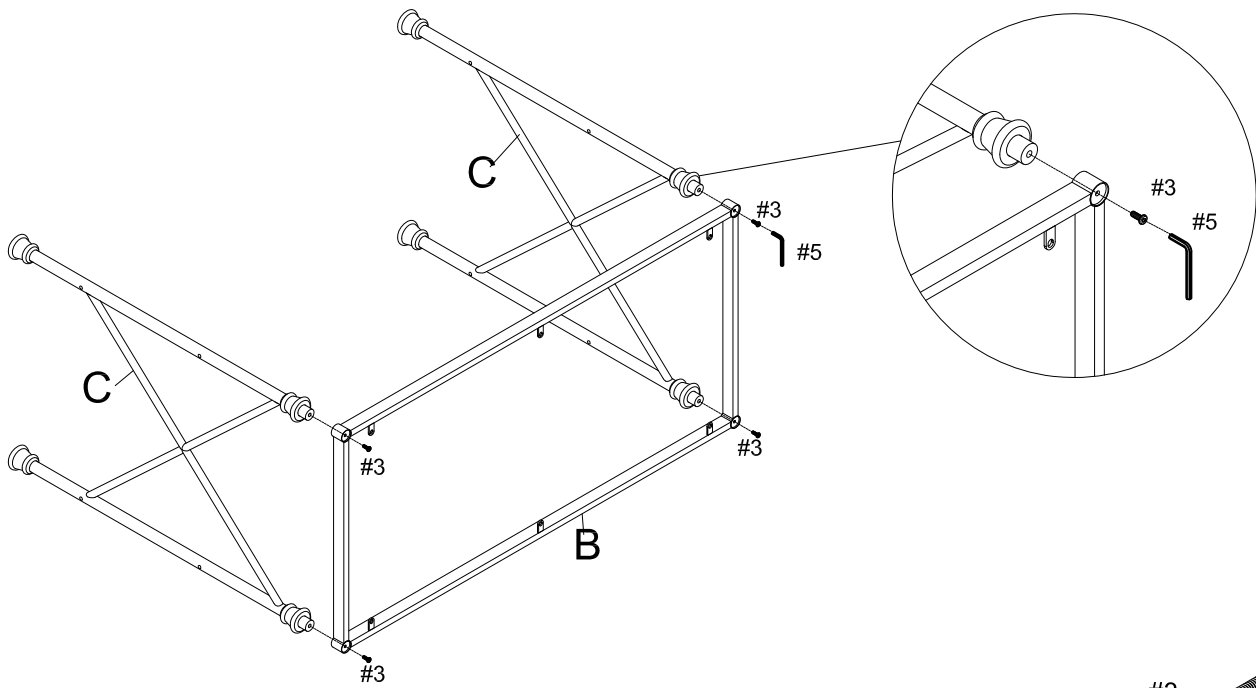
<div data-bbox="76 185 124 230" style="border: 1px solid black; padding: 2px; text-align: center;"><b>A</b></div> 	<div data-bbox="363 185 411 230" style="border: 1px solid black; padding: 2px; text-align: center;"><b>B</b></div> 	<div data-bbox="651 185 699 230" style="border: 1px solid black; padding: 2px; text-align: center;"><b>C</b></div> 	<div data-bbox="938 185 986 230" style="border: 1px solid black; padding: 2px; text-align: center;"><b>D</b></div> 	<div data-bbox="1225 185 1273 230" style="border: 1px solid black; padding: 2px; text-align: center;"><b>E</b></div> 
<p style="text-align: center;">Marble Top 1 PC</p>	<p style="text-align: center;">Top Frame 1 PC</p>	<p style="text-align: center;">Side Panel 2 PCS</p>	<p style="text-align: center;">Shelf Panel 2 PCS</p>	<p style="text-align: center;">Hand Rail 2 PCS</p>

# HARDWARE LIST

<div data-bbox="76 797 124 842" style="border: 1px solid black; padding: 2px; text-align: center;"><b>#1</b></div>  <p style="text-align: center;">1/4' x 1/2"L</p>	<div data-bbox="363 797 411 842" style="border: 1px solid black; padding: 2px; text-align: center;"><b>#2</b></div>  <p style="text-align: center;">1/4' x 5/8"L</p>	<div data-bbox="651 797 699 842" style="border: 1px solid black; padding: 2px; text-align: center;"><b>#3</b></div>  <p style="text-align: center;">1/4' x 1"L</p>	<div data-bbox="938 797 986 842" style="border: 1px solid black; padding: 2px; text-align: center;"><b>#4</b></div>  <p style="text-align: center;">1/4' x 1-1/2"L</p>	<div data-bbox="1225 797 1273 842" style="border: 1px solid black; padding: 2px; text-align: center;"><b>#5</b></div> 
<p style="text-align: center;">Short Bolt 8 PCS (Extra1)</p>	<p style="text-align: center;">Bolt 6 PCS (Extra 1)</p>	<p style="text-align: center;">Medium Bolt 4 PCS (Extra 1)</p>	<p style="text-align: center;">Long Bolt 8 PCS (Extra 1)</p>	<p style="text-align: center;">Allen Wrench 1 PC</p>

Step 1. Attach top frame (part B) to side panels (part C) using medium bolts (part #3) and allen wrench (part #5).

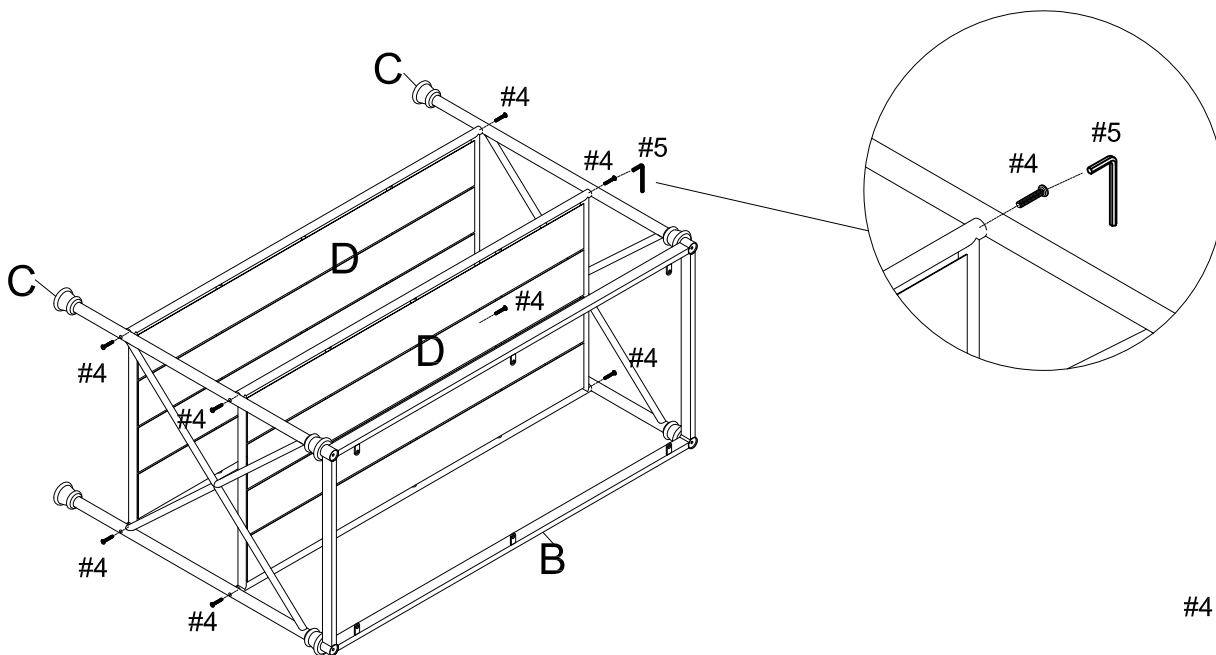
Note: Please do not fully tighten bolts at this time.




- #3  x 4
- #5  x 1

Step 2. Attach shelf panels (part D) to side panels (part C) using long bolts (part #4) and allen wrench (part #5).

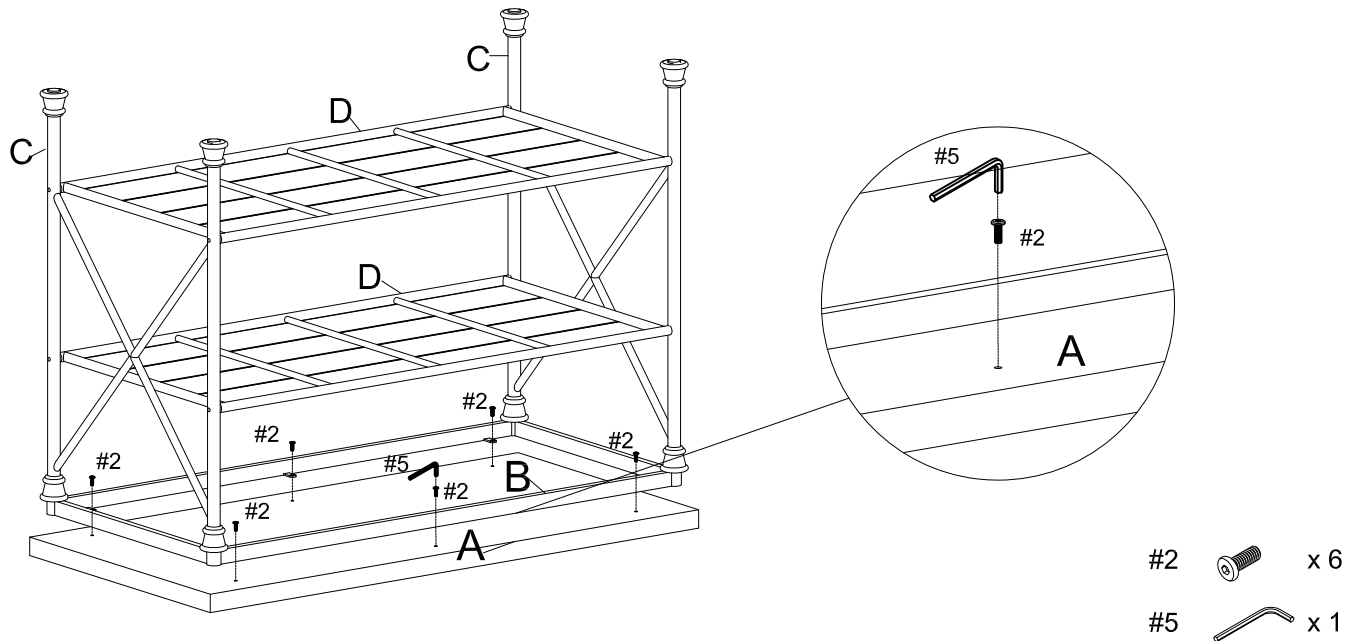
Note: Please fully tighten all bolts at this time.



- #4  x 8
- #5  x 1

Step 3. Carefully lay marble top (part A) upside down on a flat, soft surface, such as carpet. Attach assembled unit (parts B, C & D) to marble top (part A) using bolts (part #2) and allen wrench (part #5).

Note: Please fully tighten all bolts at this time.



Step 4. Carefully turn unit upright. Attach hand rails (part E) to side panels (part C) using short bolts (part #1) and allen wrench (part #5).

Note: Please fully tighten all bolts at this time.

