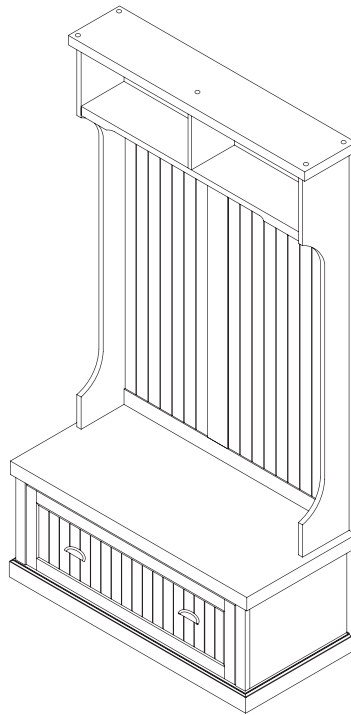


# **CROSLEY**

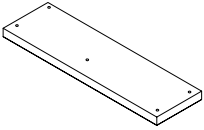


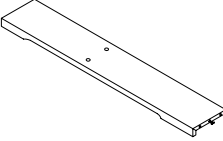
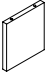
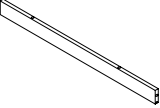
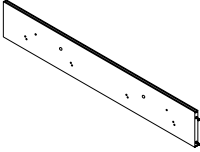
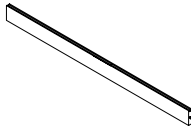

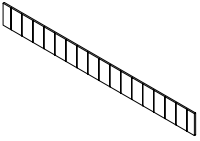
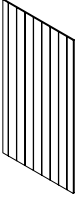
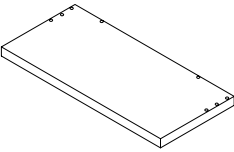
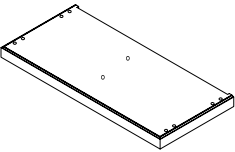
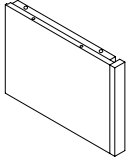
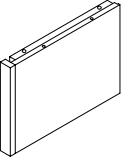
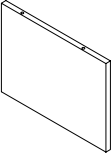

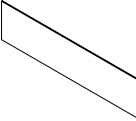
---

FURNITURE

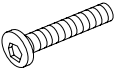
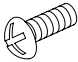
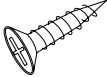
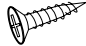

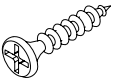
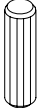



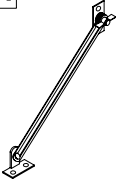
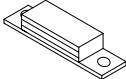
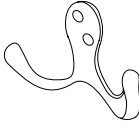
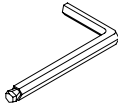

## Hall Tree CF6006



# PART LIST

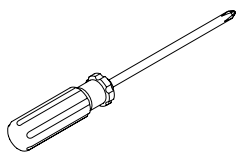
<p><b>A</b></p> 	<p><b>B</b></p> 	<p><b>C</b></p> 	<p><b>D</b></p> 	<p><b>E</b></p> 
<p>Top Panel 1 PC</p>	<p>Upper Left Panel 1 PC</p>	<p>Upper Right Panel 1 PC</p>	<p>Shelf 1 PC</p>	<p>Upper Vertical Panel 1 PC</p>
<p><b>F</b></p> 	<p><b>G</b></p> 	<p><b>H</b></p> 	<p><b>I</b></p> 	<p><b>J</b></p> 
<p>Back Upper Rail 1 PC</p>	<p>Back Middle Rail 1 PC</p>	<p>Bottom Rail 1 PC</p>	<p>Back Partition Rail 1 PC</p>	<p>Upper Back Panel 1 PC</p>
<p><b>K</b></p> 	<p><b>L</b></p> 	<p><b>M</b></p> 	<p><b>N</b></p> 	<p><b>O</b></p> 
<p>Middle Back Panel 2 PCS</p>	<p>Seat Panel 1 PC</p>	<p>Bottom Panel 1 PC</p>	<p>Lower Left Panel 1 PC</p>	<p>Lower Right Panel 1 PC</p>
<p><b>P2</b></p> 	<p><b>Q</b></p> 	<p><b>R2</b></p> 		
<p>Middle Vertical Panel 1 PC</p>	<p>Door 1 PC</p>	<p>Bottom Back Panel 1 PC</p>		

# HARDWARE LIST

<b>#1</b>  Ø1/4"*1-3/4"	<b>#2</b>  Ø4.5mm*3/8"	<b>#3</b>  Ø3mm*5/8"	<b>#4</b>  Ø3mm*1/2"	<b>#5</b>  Ø3mm*1/2"
Hex Socket Head Bolt 18 PCS (Extra 1)	Handle Bolt 4 PCS (Extra 1)	Flat Head Screw 10 PCS (Extra 1)	Short Flat Head Screw 8 PCS (Extra 1)	Screw 40 PCS (Extra 1)
<b>#6</b>  Ø4mm*1"	<b>#7</b>  Ø8mm*1-1/8"	<b>#8</b>  Ø1/4"*11mm	<b>#9</b>  Ø1/4"*13mm	<b>#10</b> 
Long Flat Head Screw 2 PCS (Extra 1)	Wood Dowel 30 PCS (Extra 1)	Spring Washer 18 PCS (Extra 1)	Flat Washer 18 PCS (Extra 1)	Handle 2 PCS
<b>#11</b> 	<b>#12</b> 	<b>#13</b> 	<b>#14</b>  4mm	<b>#15</b> 
Hinge 2 PCS	Magnet 2 PCS	Hook 4 PCS	Allen Wrench 1 PC	Safety Strap Kit 1 PC

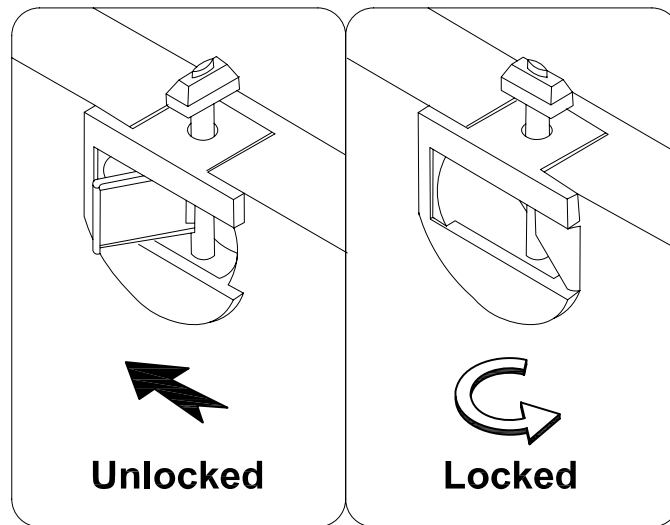
## ADDITIONAL TOOLS (Not Provided)

Note: It is not recommended to use power tools during assembly



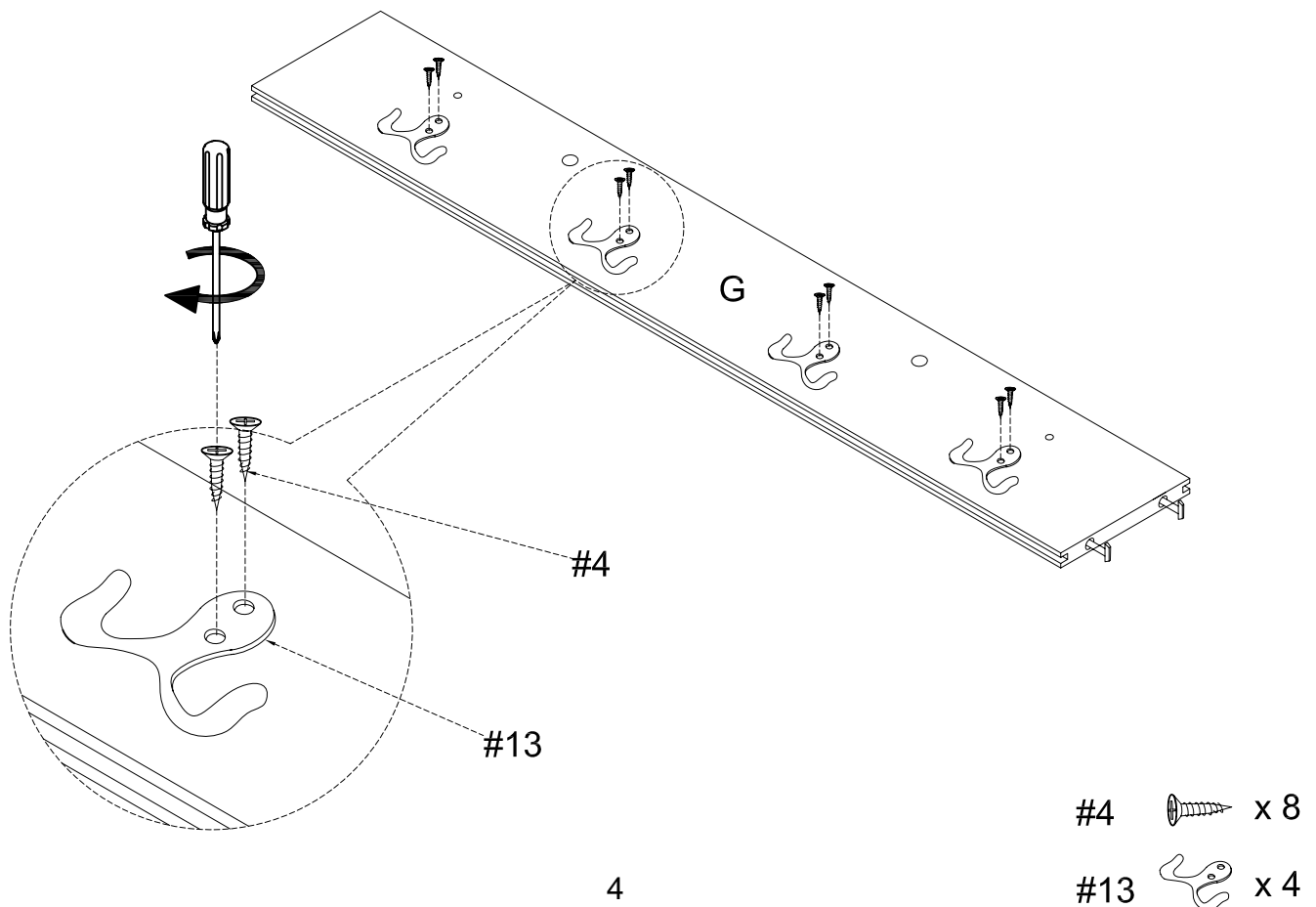
Note: Wood dowels are intended for alignment. Additional clearance between wood dowel pre-drilled hole is intentional for ease of assembly.

Please do not use tools to assemble this unit unless specifically indicated.

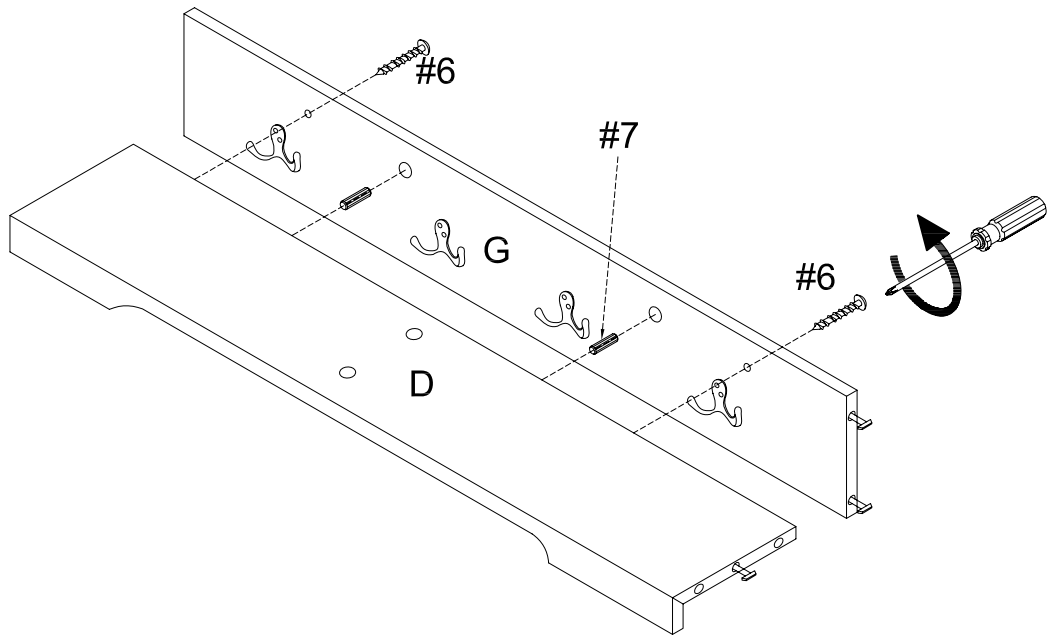


Reference the images above any time the instructions state "lock the hardware".  
Note: Be sure to check all hardware is locked when completed.

Step 1. Attach hooks (part #13) to back middle rail (part G) using short flat head screws (part #4) and Phillips head screwdriver.

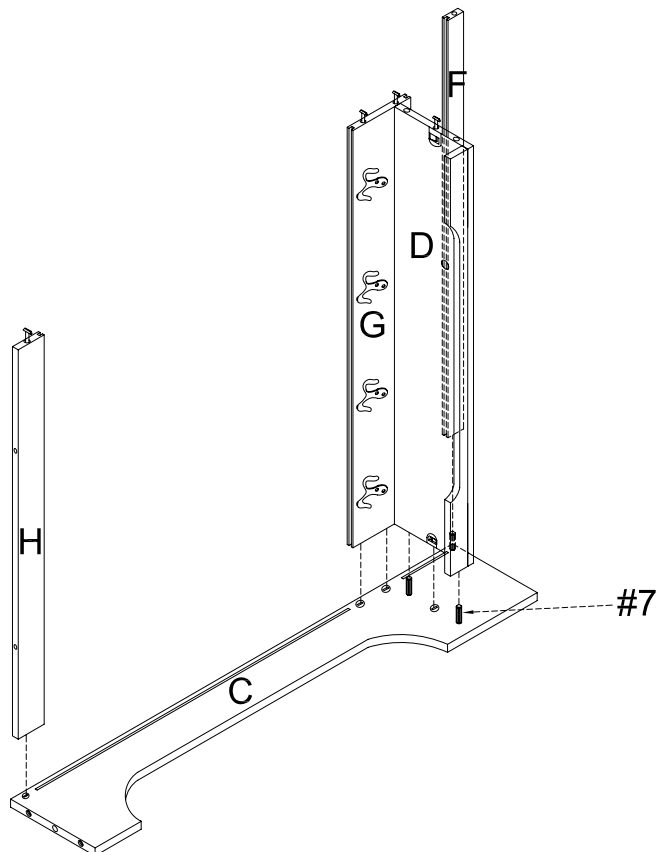


Step 2. Attach back middle rail (part G) to shelf (part D) using wood dowels (part #7), long flat head screws (part #6) and Phillips head screwdriver.



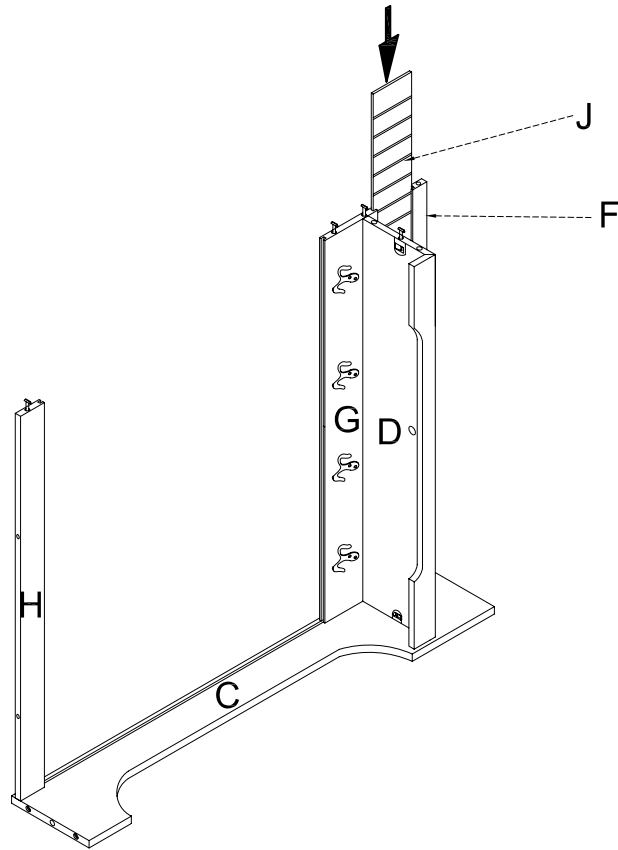
#6  x 2  
#7  x 2

Step 3. Lay upper right panel (part C) on a soft surface such as carpet as shown. Attach assembled unit (parts D & G) and back upper rail (part F) to upper right panel (part C) using wood dowels (part #7), and lock the hardware. Attach bottom rail (part H) to upper right panel (part C) and lock the hardware.

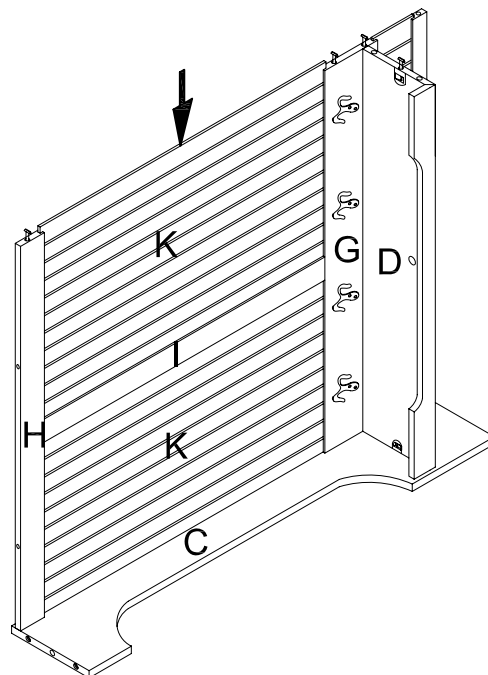


#7  x 3

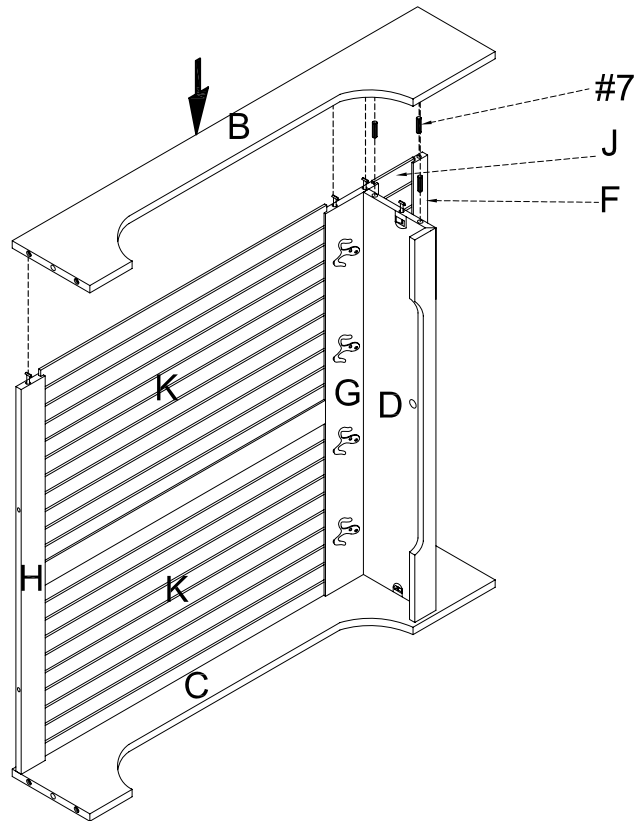
Step 4. Slide upper back panel (part J) into grooves of assembled unit (parts C, F & G).




Step 5. Slide middle back panels (part K) and back partition rail (part I) into grooves of assembled unit (parts C, G & H) as shown.

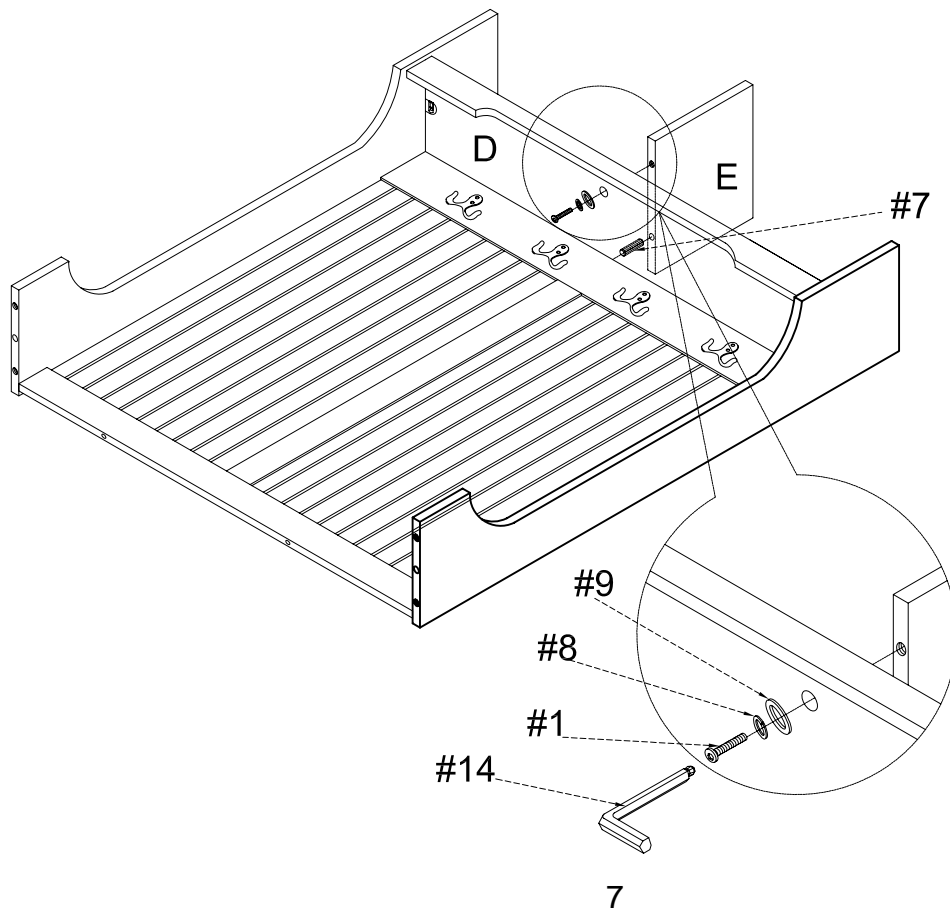


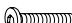




Step 6. Attach upper left panel (part B) to assembled unit (parts D, F, G, H, J & K) using wood dowels (part #7) then lock the hardware.



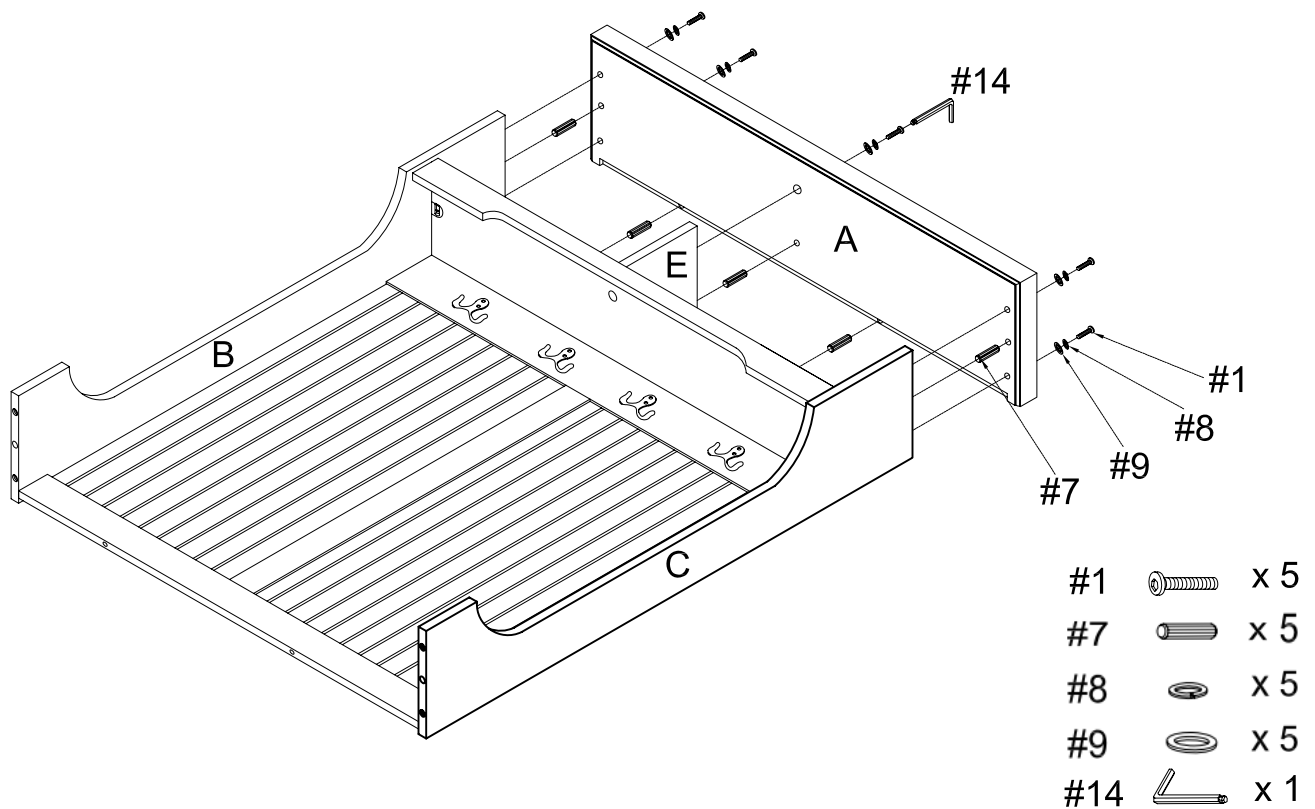
#7  x 3

Step 7. Attach upper vertical panel (part E) to shelf (part D) using wood dowel (part #7), hex socket head bolt (part #1), spring washer (part #8), flat washer (part #9) and allen wrench (part #14).

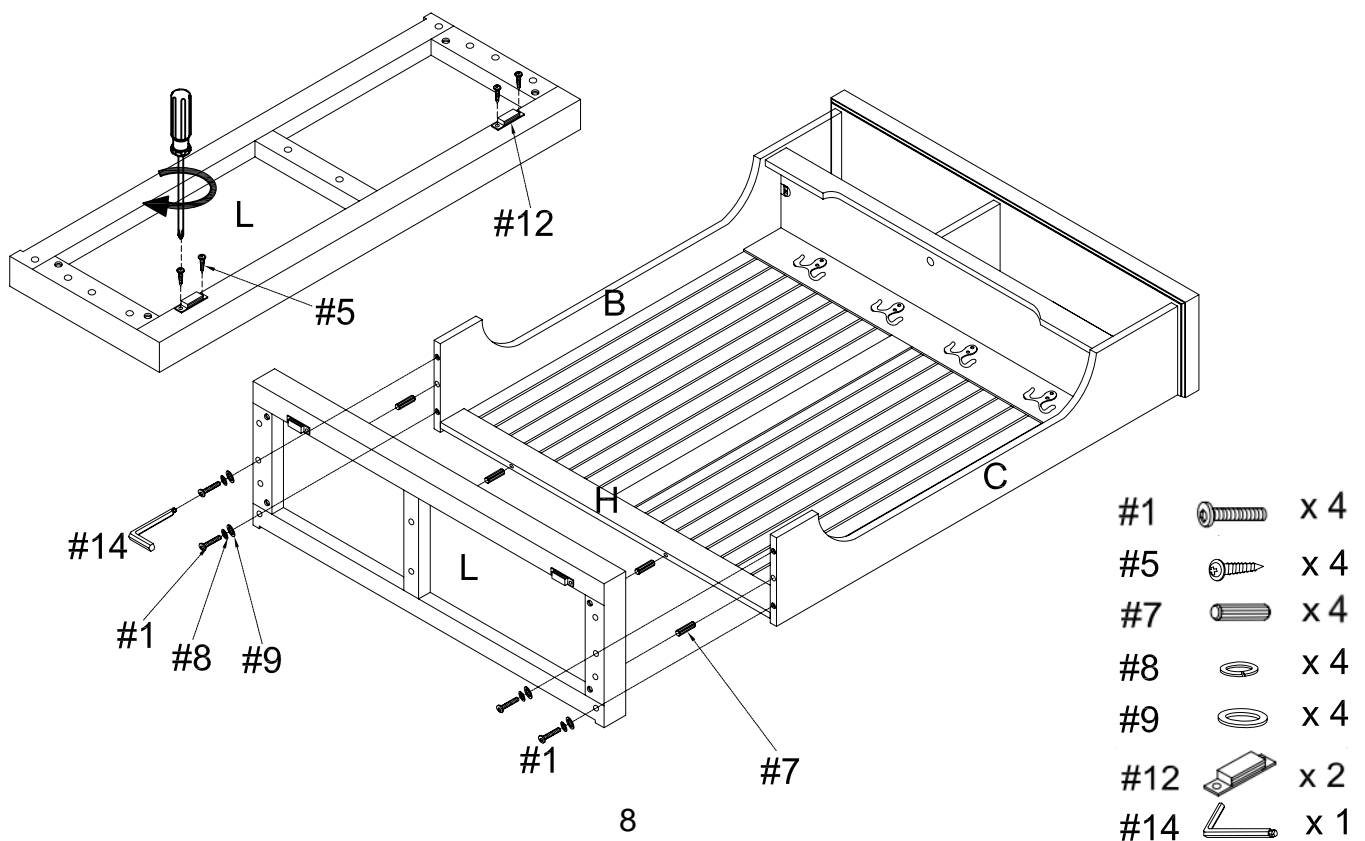


#1		x 1
#7		x 2
#8		x 1
#9		x 1
#14		x 1

**Step 8.** Attach top panel (part A) to assembled unit (parts B, C, E & F) using wood dowels (part #7), hex socket head bolts (part #1), spring washers (part #8), flat washers (part #9) and allen wrench (part #14).

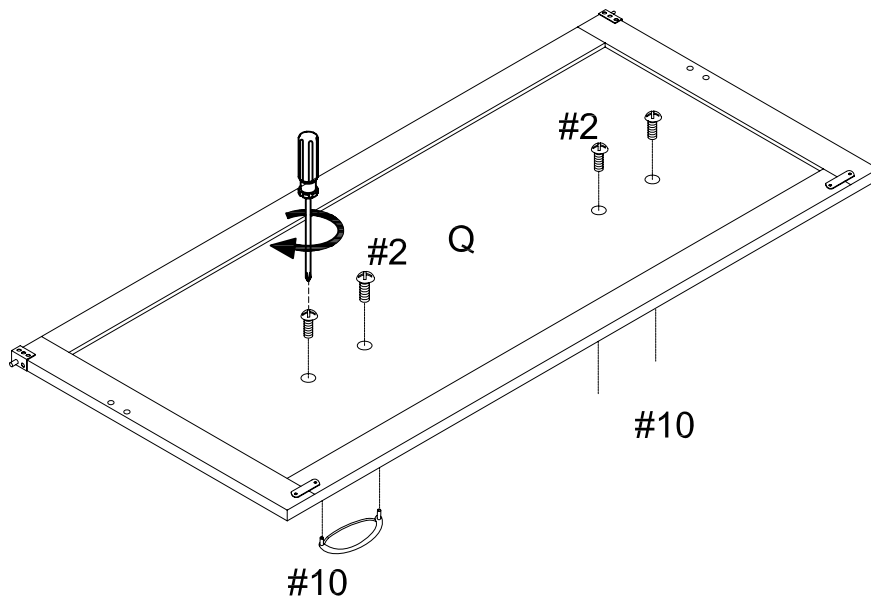


**Step 9.** Attach magnets (part #12) to seat panel (part L) using screws (part #5) and Phillips head screwdriver. Attach seat panel (part L) to assembled unit (parts B, C & H) using wood dowels (part #7), hex socket head bolts (part #1), spring washers (part #8), flat washers (part #9) and allen wrench (part #14).





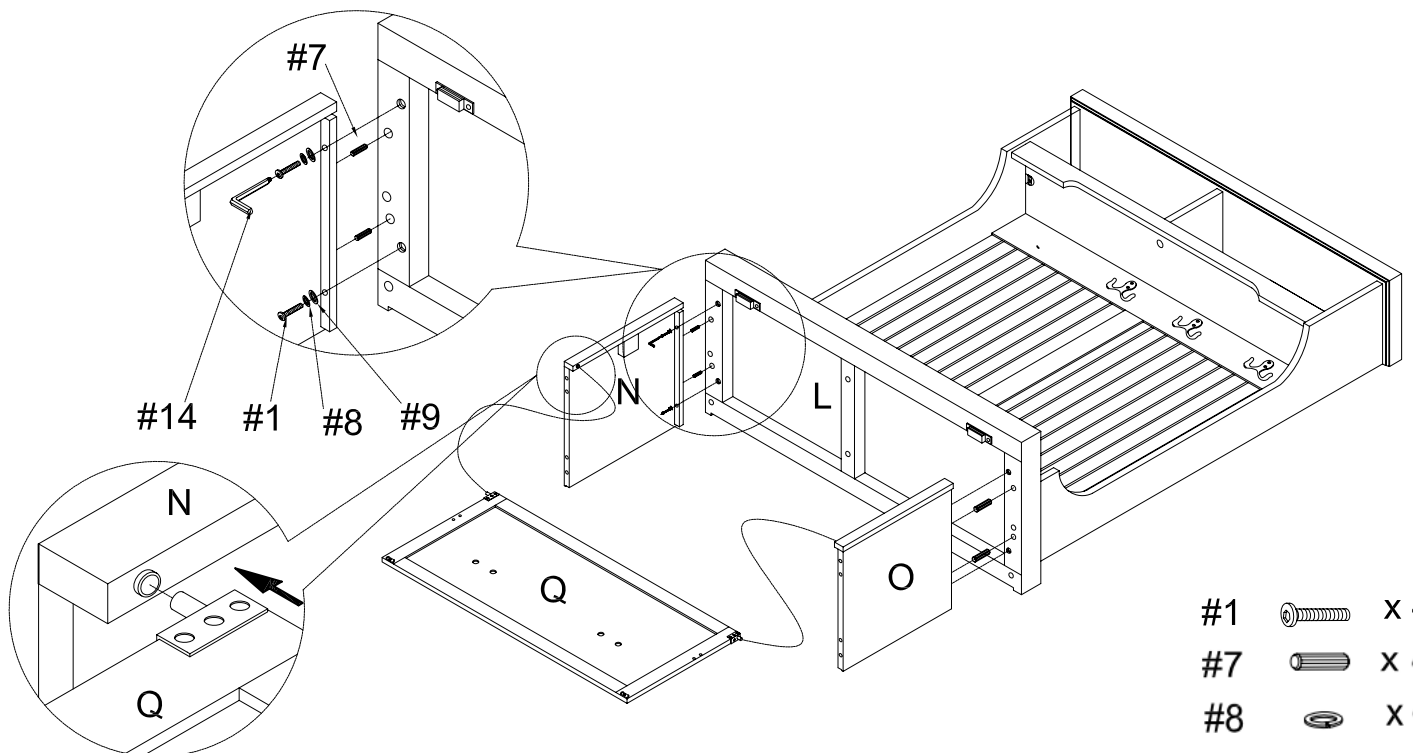
Step 10. Attach handles (part #10) to door (part Q) using handle bolts (part #2) and Phillips head screwdriver.




#2  x 4

#10  x 2

Step 11. Attach lower panels (parts N & O) to seat panel (part L) using wood dowels (part #7), hex socket head bolts (part #1), spring washers (part #8), flat washers (part #9) and allen wrench (part #14). NOTE: DO NOT FULLY TIGHTEN BOLTS! Insert door (part Q) into lower panels (parts N & O) as shown. NOTE: Please fully tighten bolts at this time.



#1  x 4

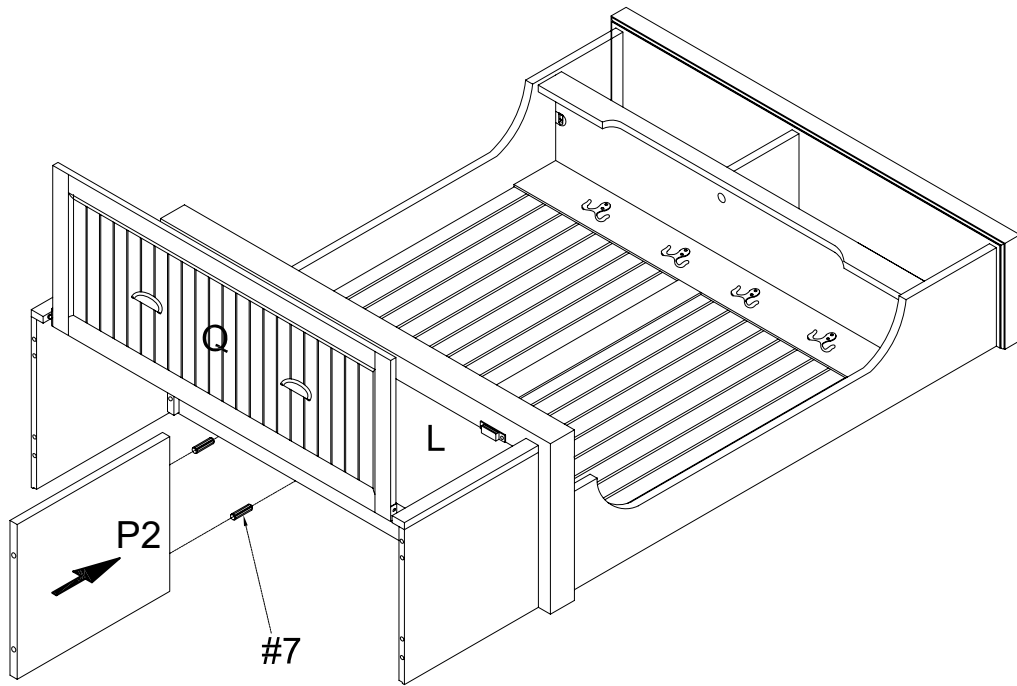
#7  x 4


#8  x 4

#9  x 4

#14  x 1

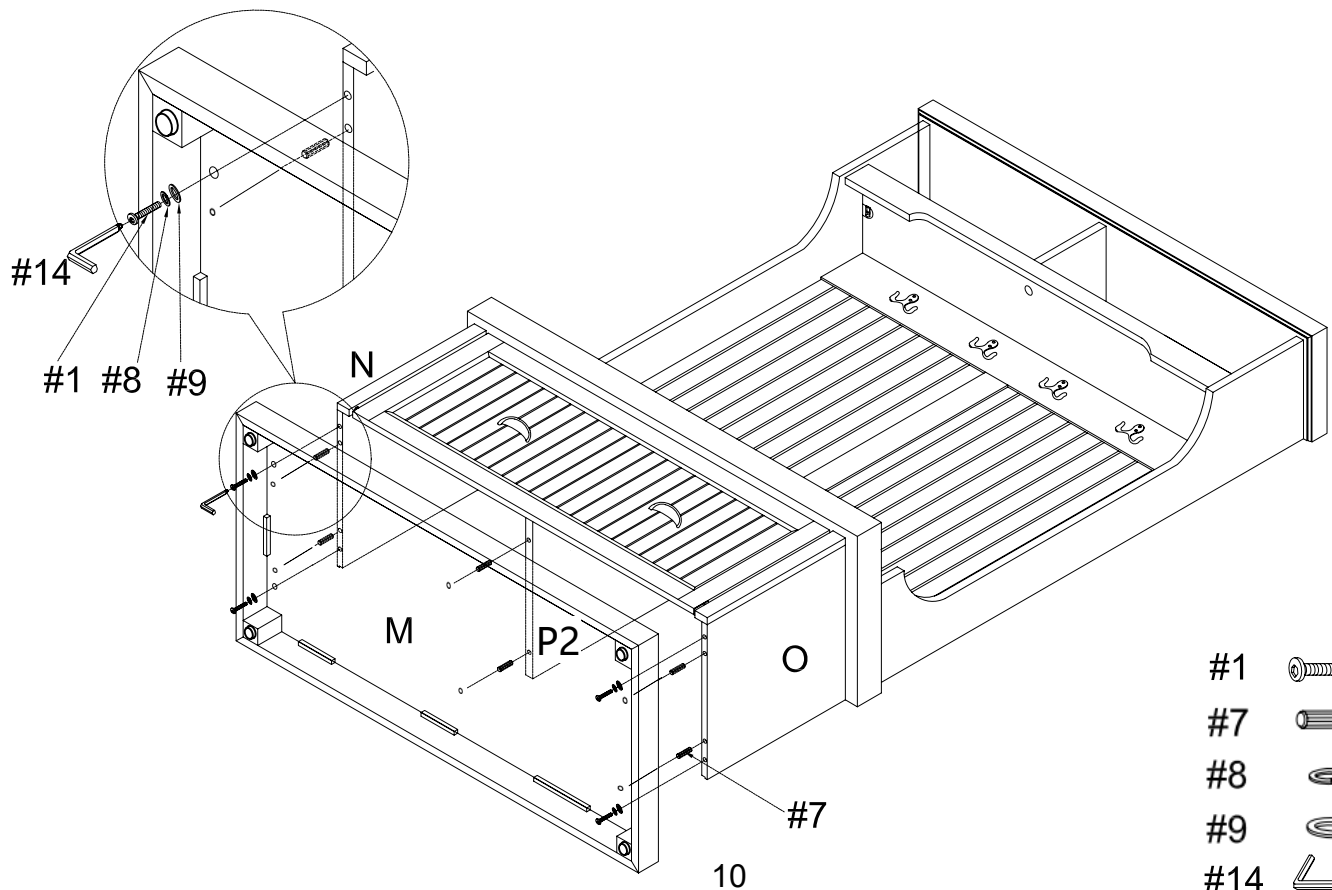
Step 12. Hold door (part Q) up as shown. Insert middle vertical panel (part P2) using wood dowels (part #7) to seat panel (part L). Once the middle vertical panel (part P2) is in place, gently lay door (part Q) down as shown in step 13.

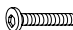






#7  x 2

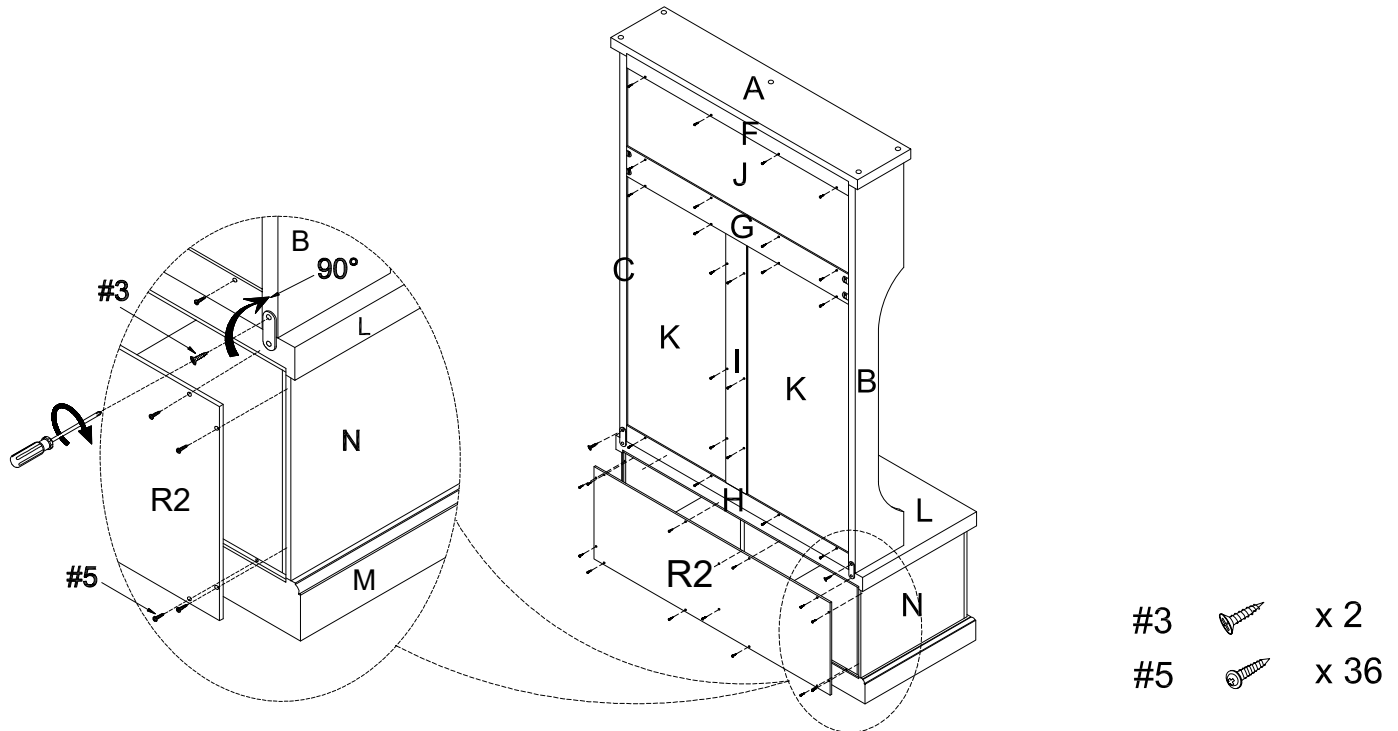
Step 13. Attach bottom panel (part M) to assembled unit (parts N, O, P2) using wood dowels (part #7), hex socket head bolts (part #1), spring washers (part #8), flat washers (part #9) and allen wrench (part #14).

Note: Ensure bottom panel (part M) is positioned correctly as shown.

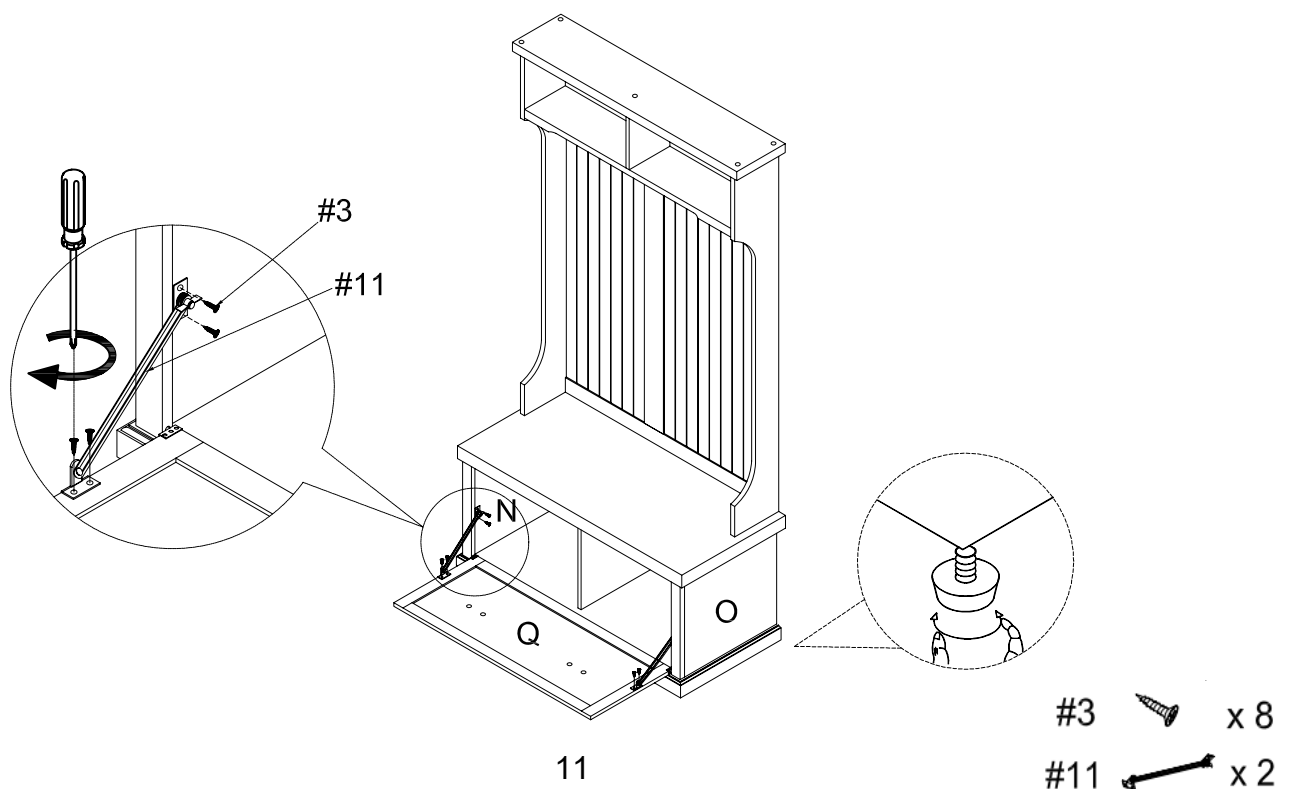



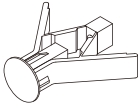



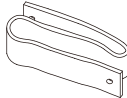
#1		x 4
#7		x 6
#8		x 4
#9		x 4
#14		x 1

**Step 14.** Attach bottom back panel (part R2) to base of assembled unit using screws (part #5) and Phillips head screwdriver. Fasten back upper rail (part F), back middle rail (part G), back partition rail (part I) and bottom rail (part H) to upper back panel (part J) and middle back panels (part K) using screws (part #5) and Phillips head screwdriver. Turn the metal connect pieces on seat panel (part L) 90° as shown. Attach metal connect pieces to upper left panel (part B) and upper right panel (part C) using flat head screws (part #3) and Phillips head screwdriver.



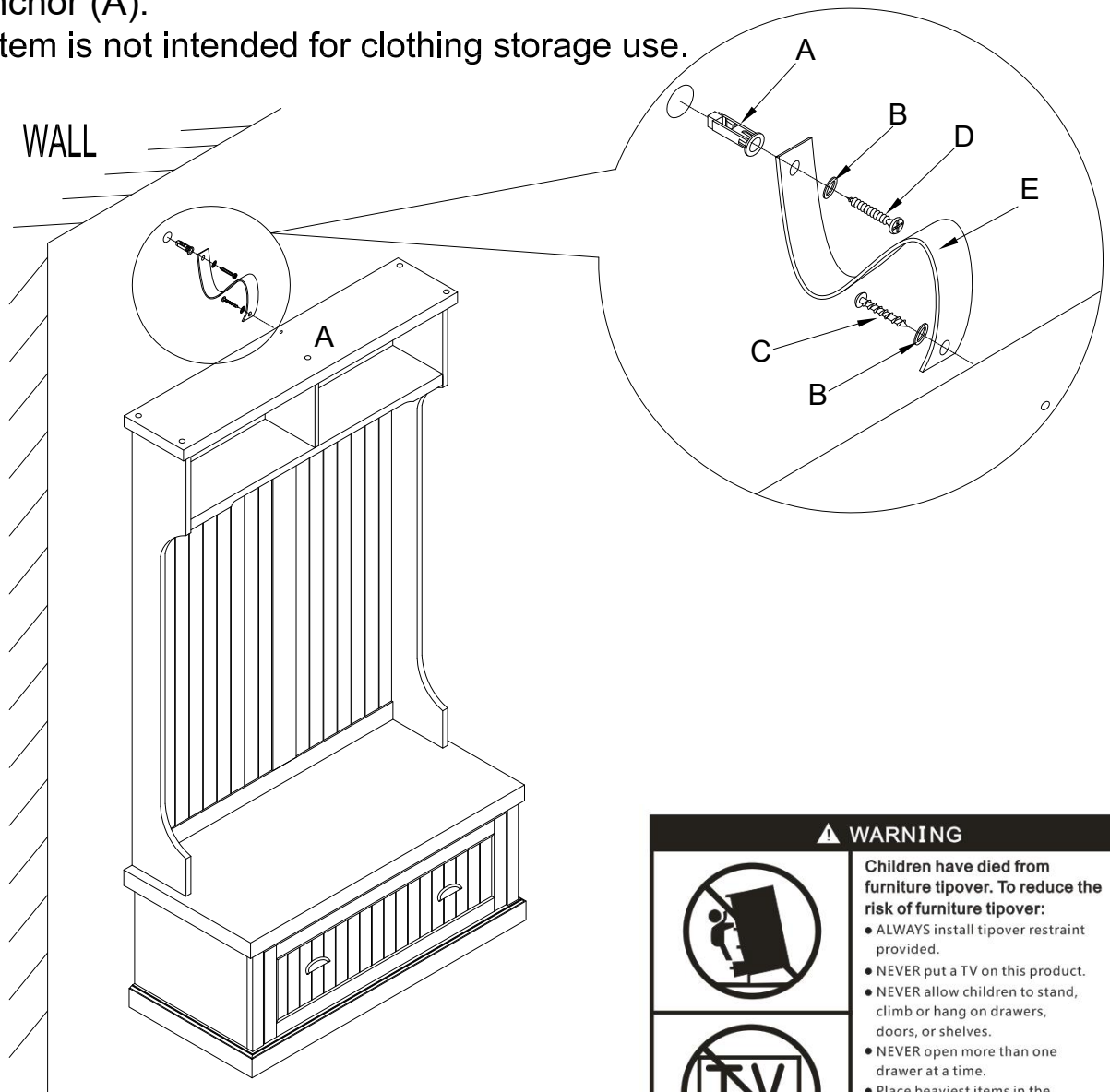
**Step 15.** Attach hinges (part #11) to door (part Q), lower left panel (part N) and lower right panel (part O) using flat head screws (part #3) and Phillips head screwdriver.  
**Note:** It is important to adjust levelers once fully assembled and upright. Extend adjustable leveler until it's firmly in contact with the floor. If relocating, adjust leveler as needed until it's firmly in contact with the floor in new location.  
**Important:** Safety strap kit (part #15) must be installed to prevent tipping, damaged and/or injury.



#15	A	B	C	D	E
					
Safety Strap Kit 1 SET	Wall Anchor 1 PC	Washer 2 PCS	Short Screw 1 PC D8 x 3/4"	Long Screw 1 PC D8 x 1-1/2"	Safety Wall Strap 1 PC

## SAFETY STRAP WALL ASSEMBLY INSTRUCTION

- 1: Insert short screw (C) through washer (B) and safety wall strap (E) and screw into top panel (part A).
  - 2: Drill a 11/32" hole where you want to secure your unit . The hole should be at the same height as the hole in top panel (part A). Tap wall anchor (A) into the hole.
  - 3: Insert long screw (D) through washer (B) and safety wall strap (E) into wall anchor (A).
- Note: This item is not intended for clothing storage use.



▲ WARNING	
	<p><b>Children have died from furniture tipover. To reduce the risk of furniture tipover:</b></p> <ul style="list-style-type: none"> <li>● ALWAYS install tipover restraint provided.</li> <li>● NEVER put a TV on this product.</li> <li>● NEVER allow children to stand, climb or hang on drawers, doors, or shelves.</li> <li>● NEVER open more than one drawer at a time.</li> <li>● Place heaviest items in the lowest drawers.</li> </ul>
	<p><i>This is a permanent label. Do not remove!</i></p>