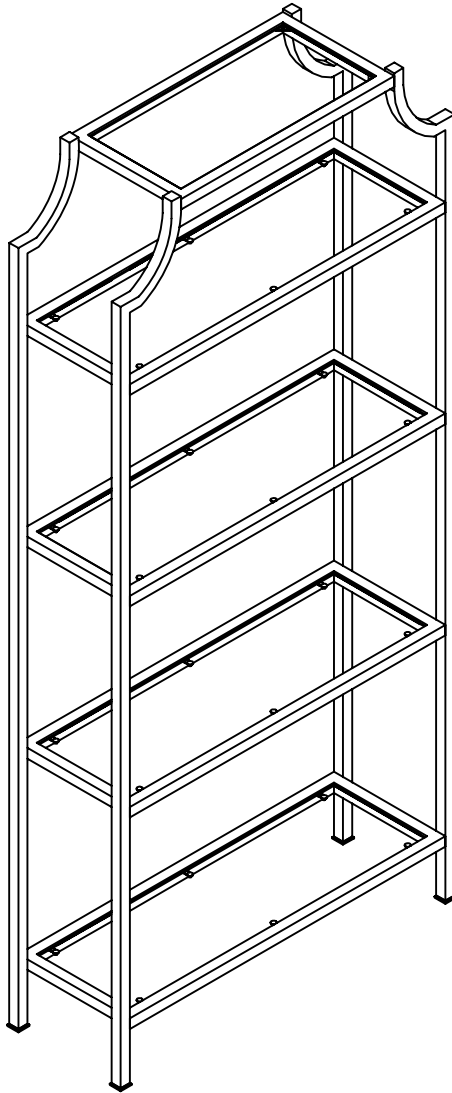


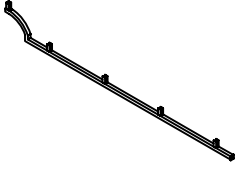
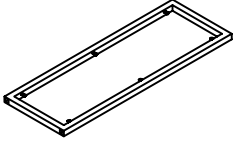
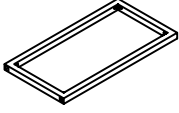
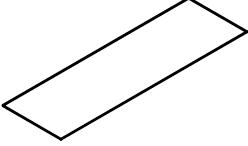
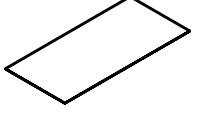
CROSLEY

FURNITURE

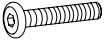



Glass Shelving Unit
CF6101



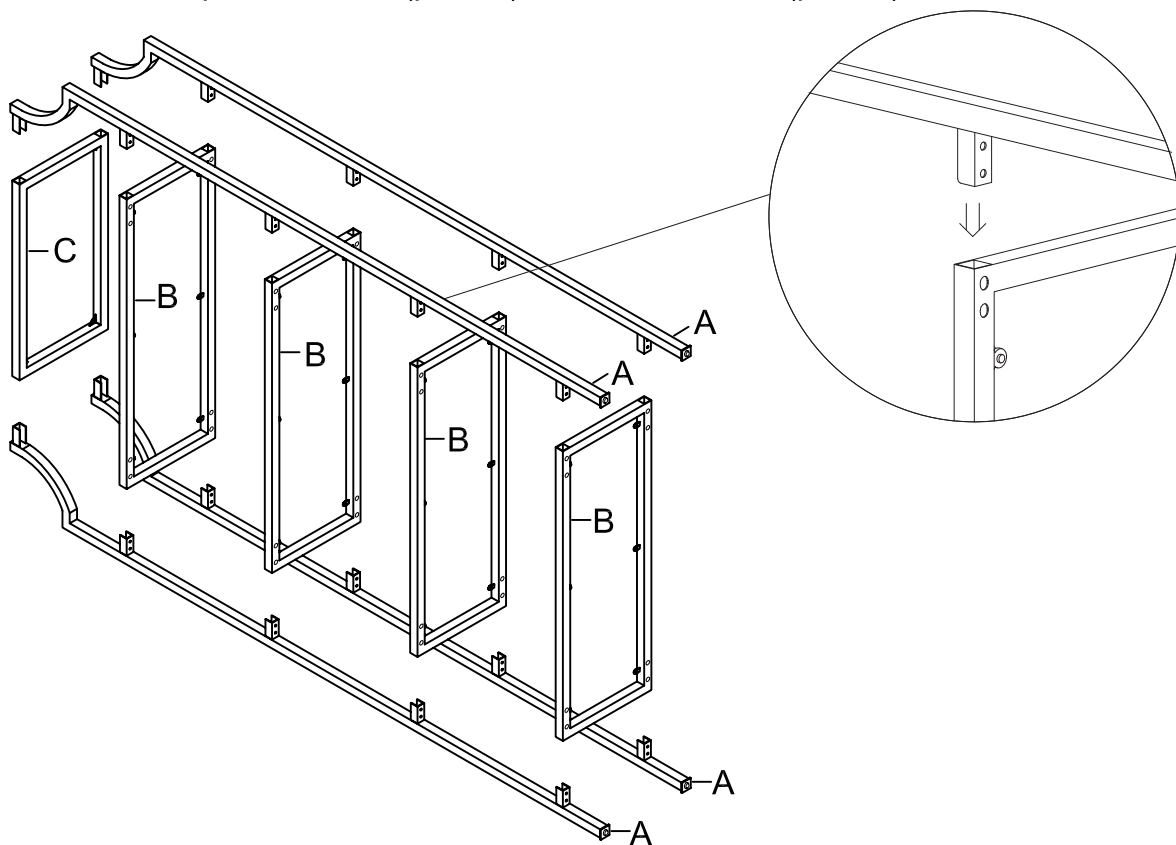
PART LIST

<p>A</p> 	<p>B</p> 	<p>C</p> 	<p>D</p> 	<p>E</p> 
<p>Leg 4 pcs</p>	<p>Shelf Frame 4 pcs</p>	<p>Top Shelf Frame 1 pc</p>	<p>Glass Shelf 4 pcs</p>	<p>Top Glass Shelf 1 pc</p>

HARDWARE LIST

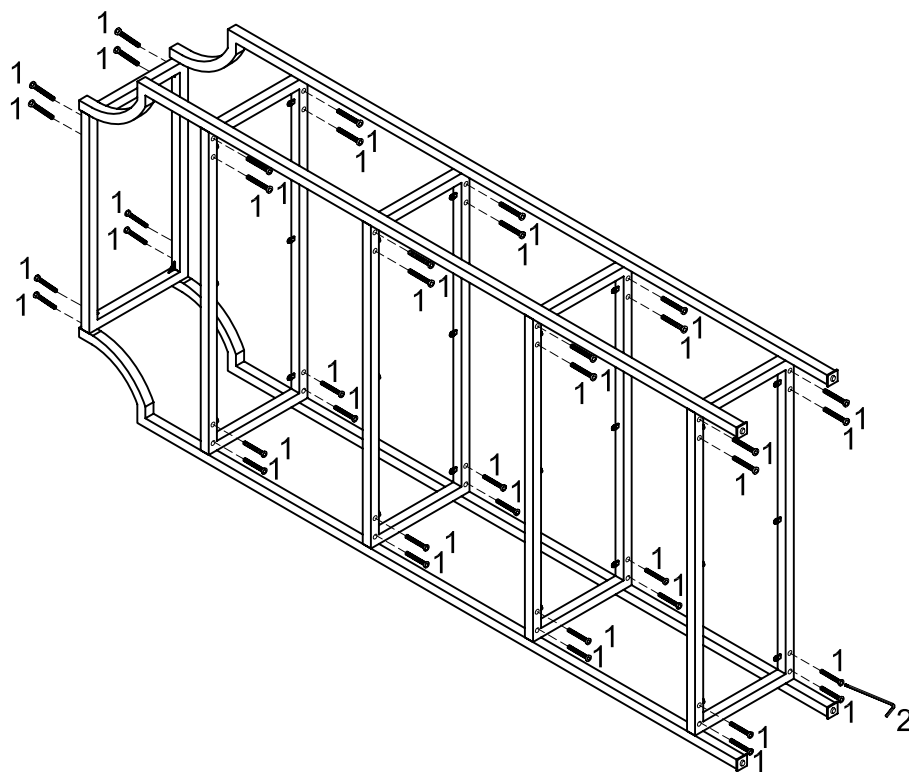
<p>1</p>  <p>1/2"x 1/4 xD10</p>	<p>2</p> 	<p>3</p> 	<p>4</p> 
<p>Bolt 42 pcs (Extra 2)</p>	<p>Allen Wrench 1 pc</p>	<p>Safety Strap Kit 1 set</p>	<p>Suction Cup Extra 2 pcs</p>

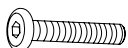
Step 1. Lay 2 legs (part A) down on a flat surface. Insert top shelf frame (part C) and all shelf frames (part B) into brackets of the legs (part A). Attach remaining 2 legs (part A) by inserting brackets into top shelf frame (part C) and shelf frames (part B).



Step 2. Attach top shelf frame (part C) and shelf frames (part B) to the legs (part A) by using bolts (part #1) and allen wrench (part #2). Bolts (part #1) will be inserted from the opposite direction for top shelf frame (part C) only.

Note: Please do not fully tighten bolts until all of them are in place.



#1  x 40

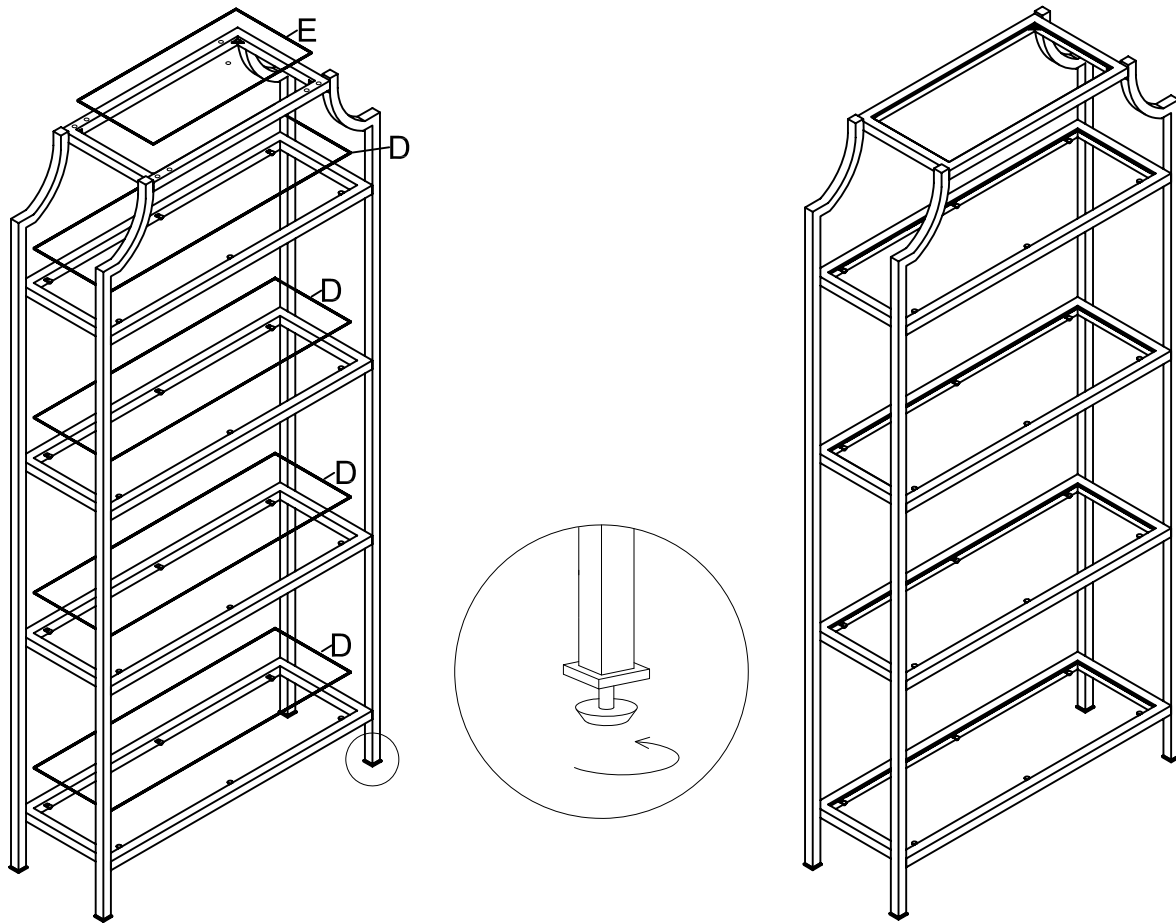
#2  x 1

Step 3. Carefully turn unit upright. Install glass shelves (part D) and top glass shelf (part E) into the frame as shown below.


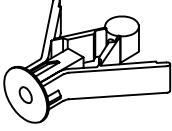
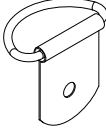

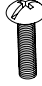

Important: Safety strap kit (part #3) must be installed to prevent tipping, damage and / or injury.

Note: It is important to adjust levelers once fully assembled and upright.

Extend adjustable levelers until it's firmly in contact with the floor. If relocating, adjust leveler as needed until it's firmly in contact with the floor in new location.



Step 4.

3	A	B	C	D	E
					
SAFETY STRAP KIT 1SET	WALL ANCHOR 1PC	HOOK 2PCS	D8*1-1/2" SCREW 1PC	D10*1/2" BOLT 1PC	SAFETY WALL STRAP 1PC

SAFETY WALL STRAP INSTALLATION

Note: It is highly recommended to install this safety strap kit to prevent tipping, damage and/or injury.

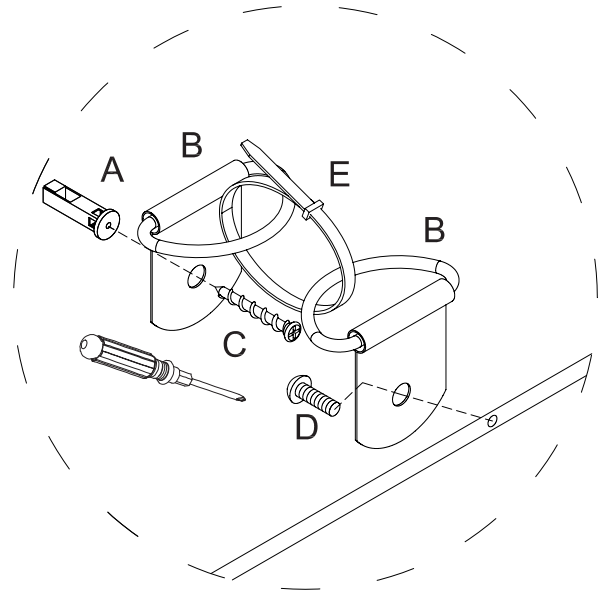
1) Insert bolt(D) through hook(B) and using a philips screwdriver, attach it to the predrilled hole in the top shelf frame(part#C) of the frame.

2) Drill a 11/32" hole in the wall where this unit will be secured. The drilled hole will be at the same height as the hole in the top shelf frame(part#C) where the hook(B) was attached. Tap wall anchor (A) into the drilled hole.

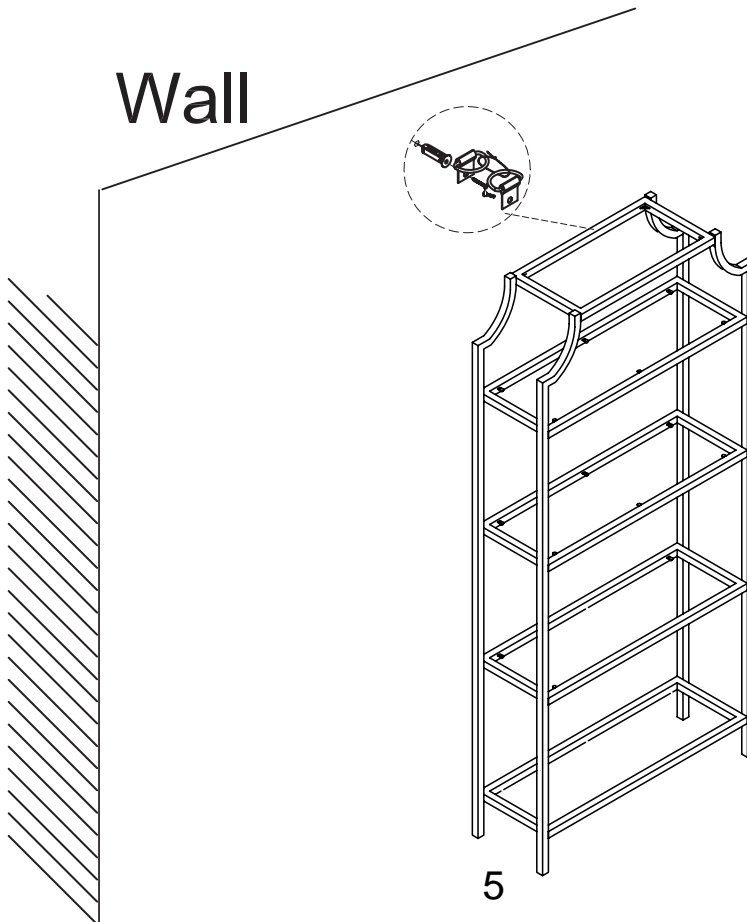
3) Insert screw(C) through hook(B) into the wall anchor(A) using a philips screwdriver.

4) Insert safety wall strap(E) through both hooks(B) and tighten to secure.

Note: This item is not intended for clothing storage use.



Wall



5

