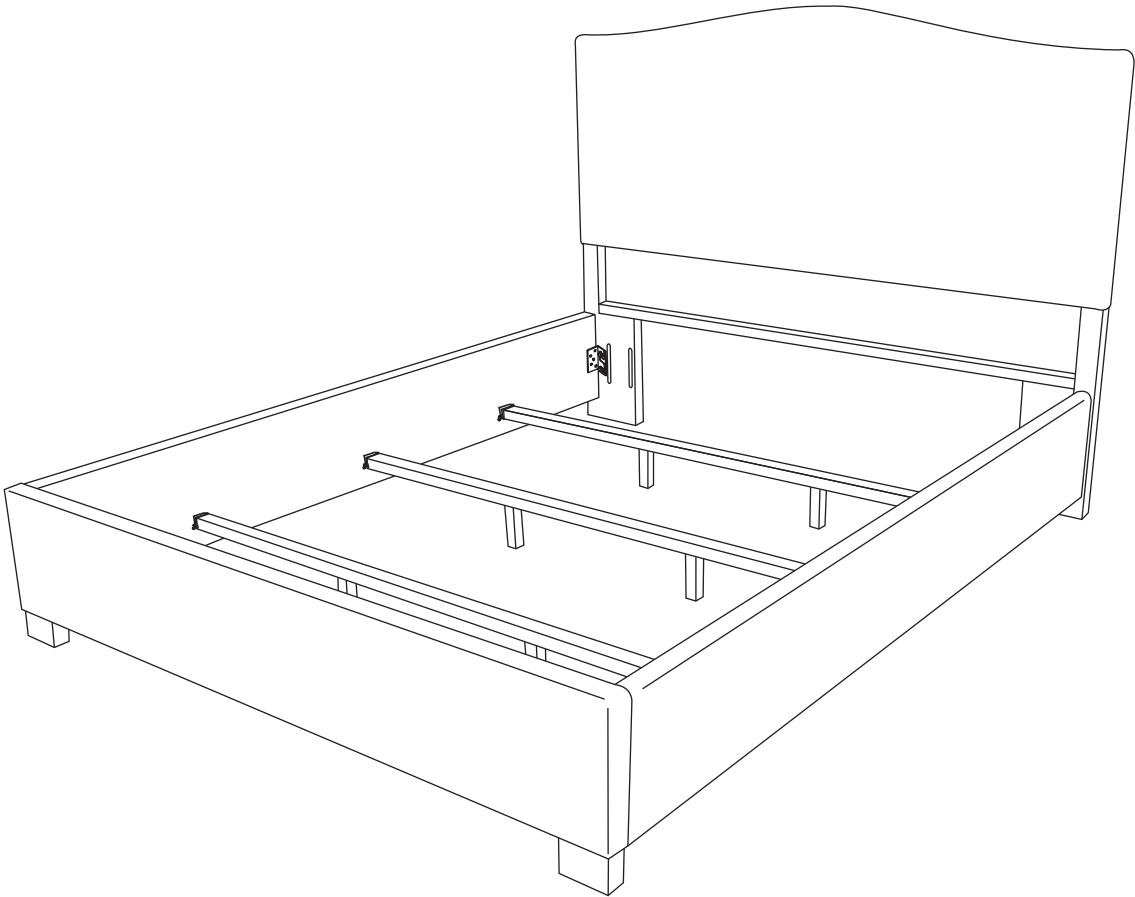


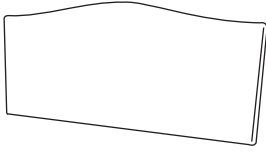



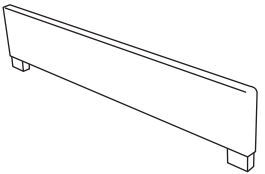
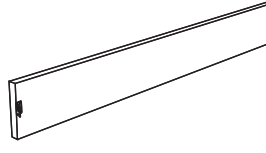


CROSLLEY

FURNITURE

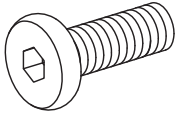
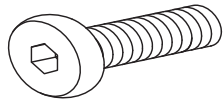


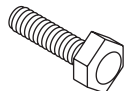

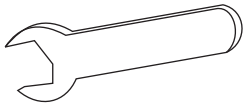
Queen / King Bed
CF92005-502/602



PART LIST

 Headboard 1 PC	 Right Post 1 PC	 Left Post 1 PC	 Crossbar 1 PC	 Footboard 1 PC
 Side Rail 2 PCS	 Slats 3 PCS	 Center Leg 6 PCS	Please note headboard, right post, left post and crossbar will ship separately.	

HARDWARE LIST

 $\frac{1}{4}$ " x 1.5" L Short Bolt 6 PCS (Extra 1)	 $\frac{1}{4}$ " x 2" L Bolt 2 PCS (Extra 1)	 Small Flat Washer 8 PCS (Extra 1)	 Allen Wrench 1 PC	 $\frac{1}{4}$ " x 1.5" L Hex Bolt 8 PCS (Extra 1)
 Flat Washer 8 PCS	 Wrench 1 PC			

ADDITIONAL TOOLS (Not Provided)

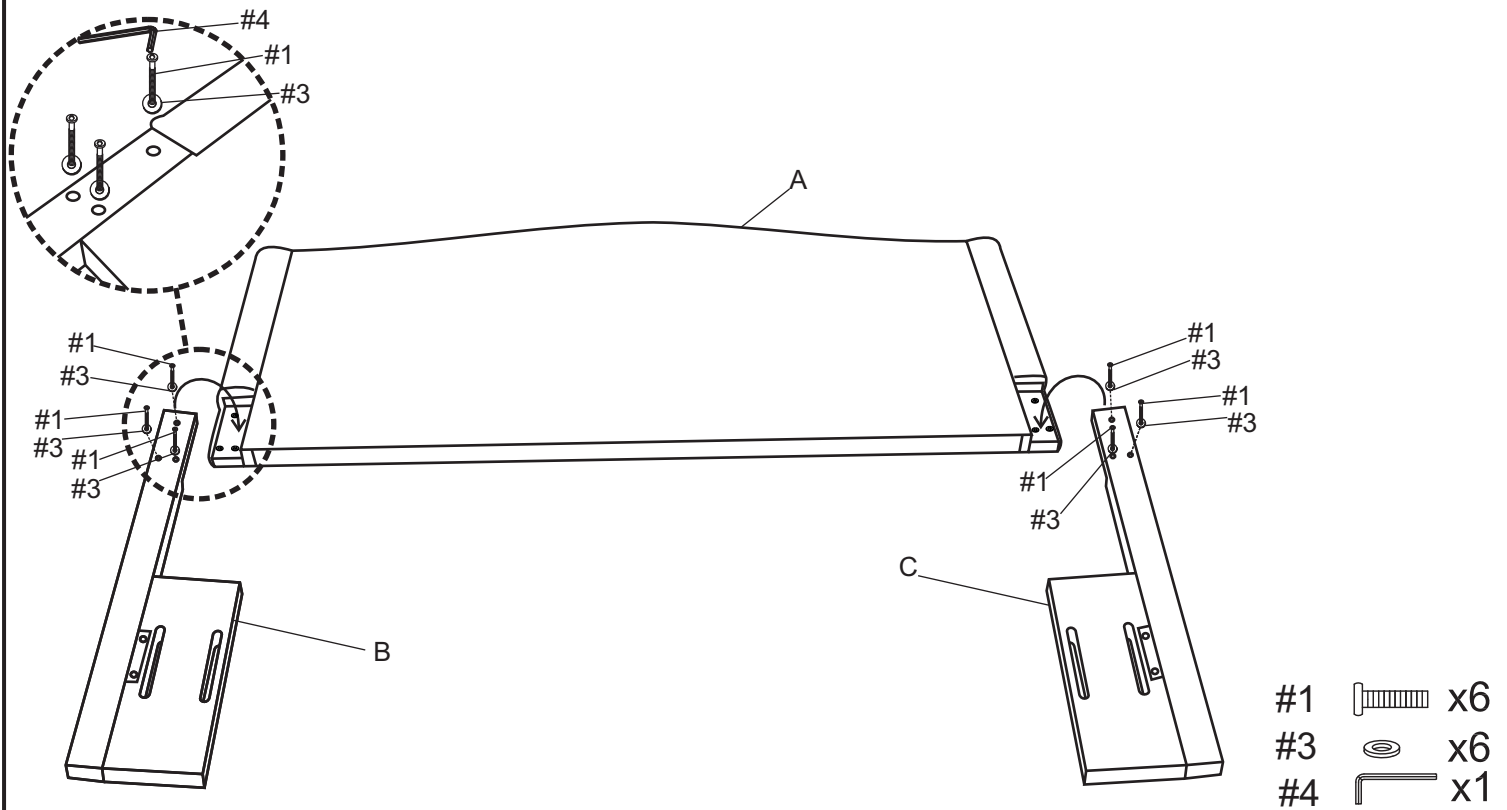
Note : It is not recommended to use power tools during assembly.



Phillips Head Screwdriver

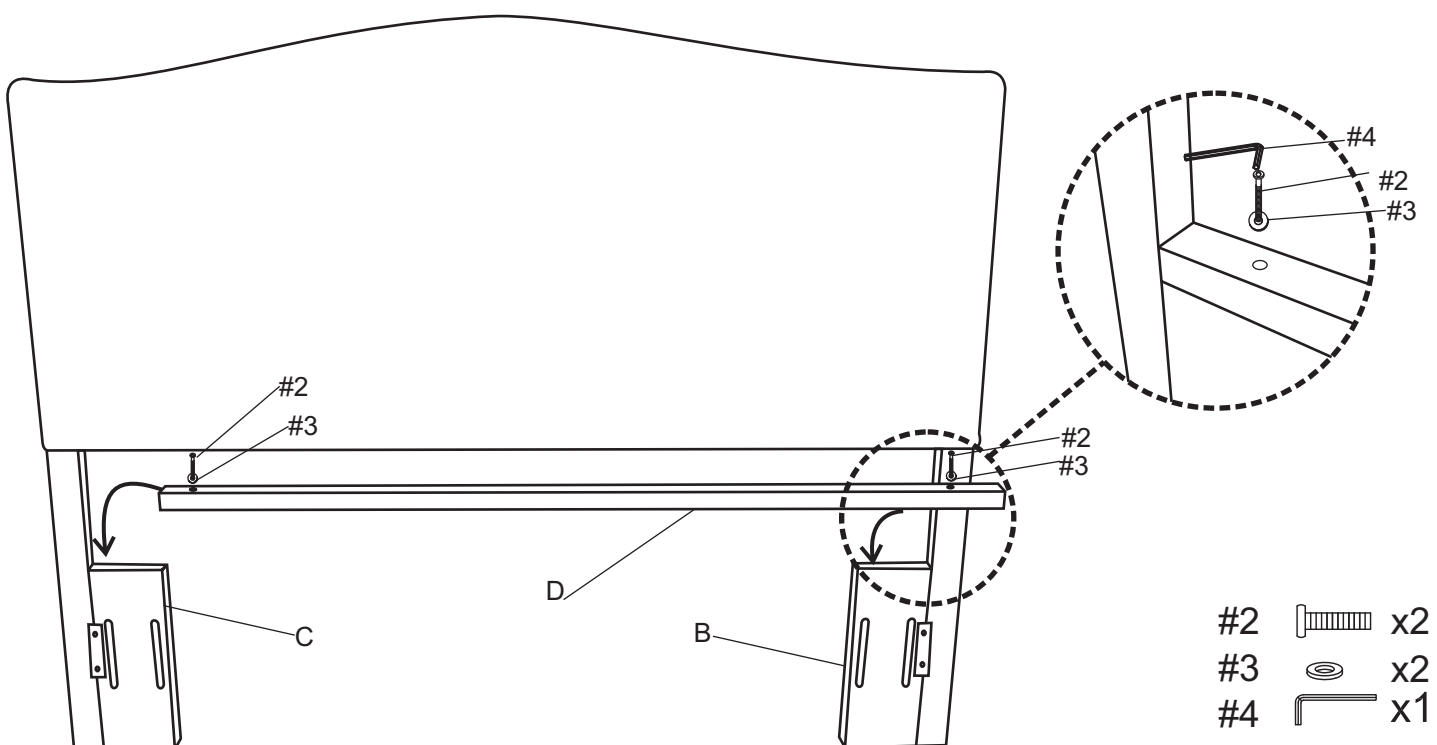
Step 1. Lay headboard (part A) upside down on a soft surface, such as carpet. Attach posts (parts B & C) to headboard (part A) using short bolts (part #1), small flat washers (part #3) and allen wrench (part #4).

NOTE: Please do not fully tighten bolts until unit is fully assembled.



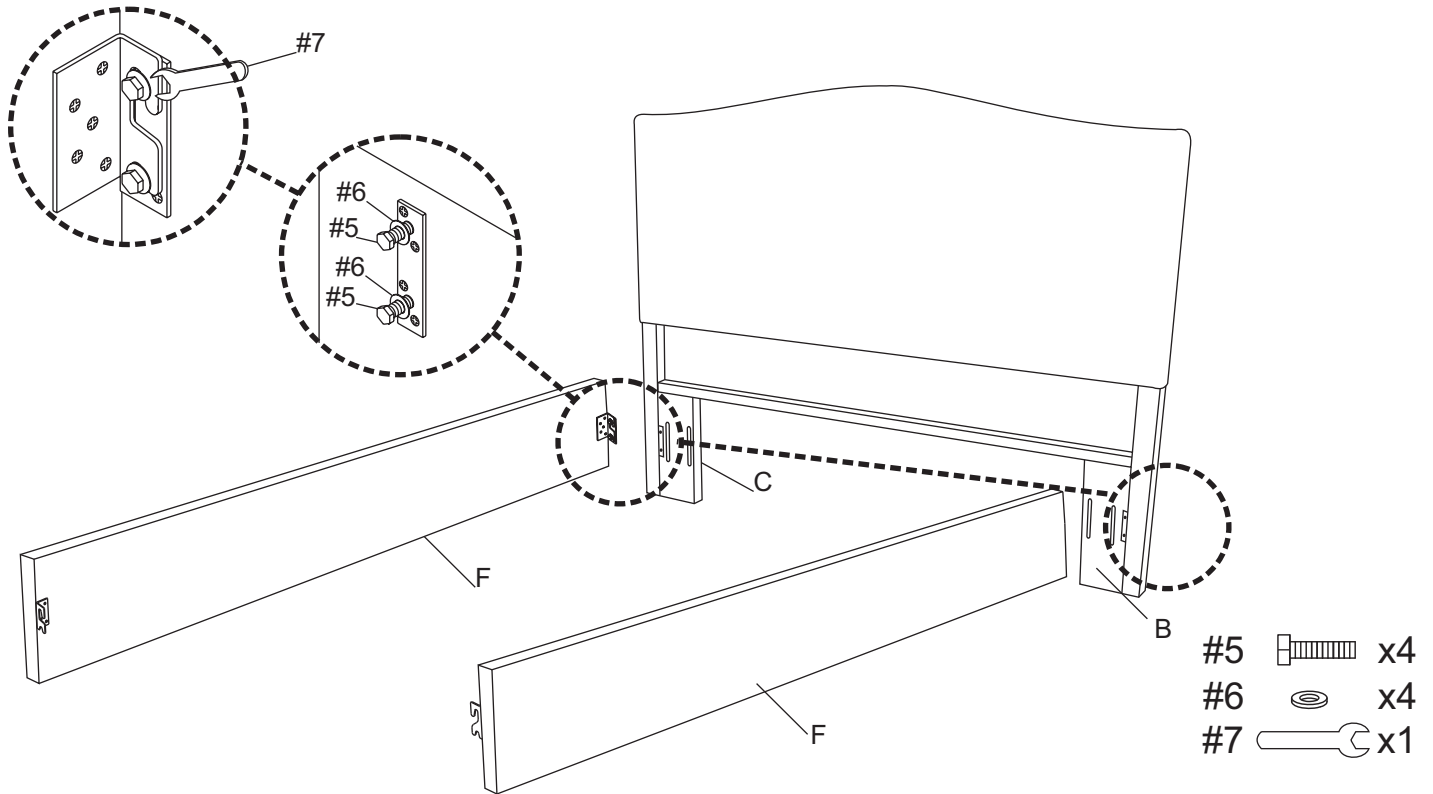
Step 2. Attach crossbar (part D) to posts (parts B & C) using bolts (part #2), small flat washers (part #3) and allen wrench (part #4).

NOTE: Please do not fully tighten bolts until unit is fully assembled.



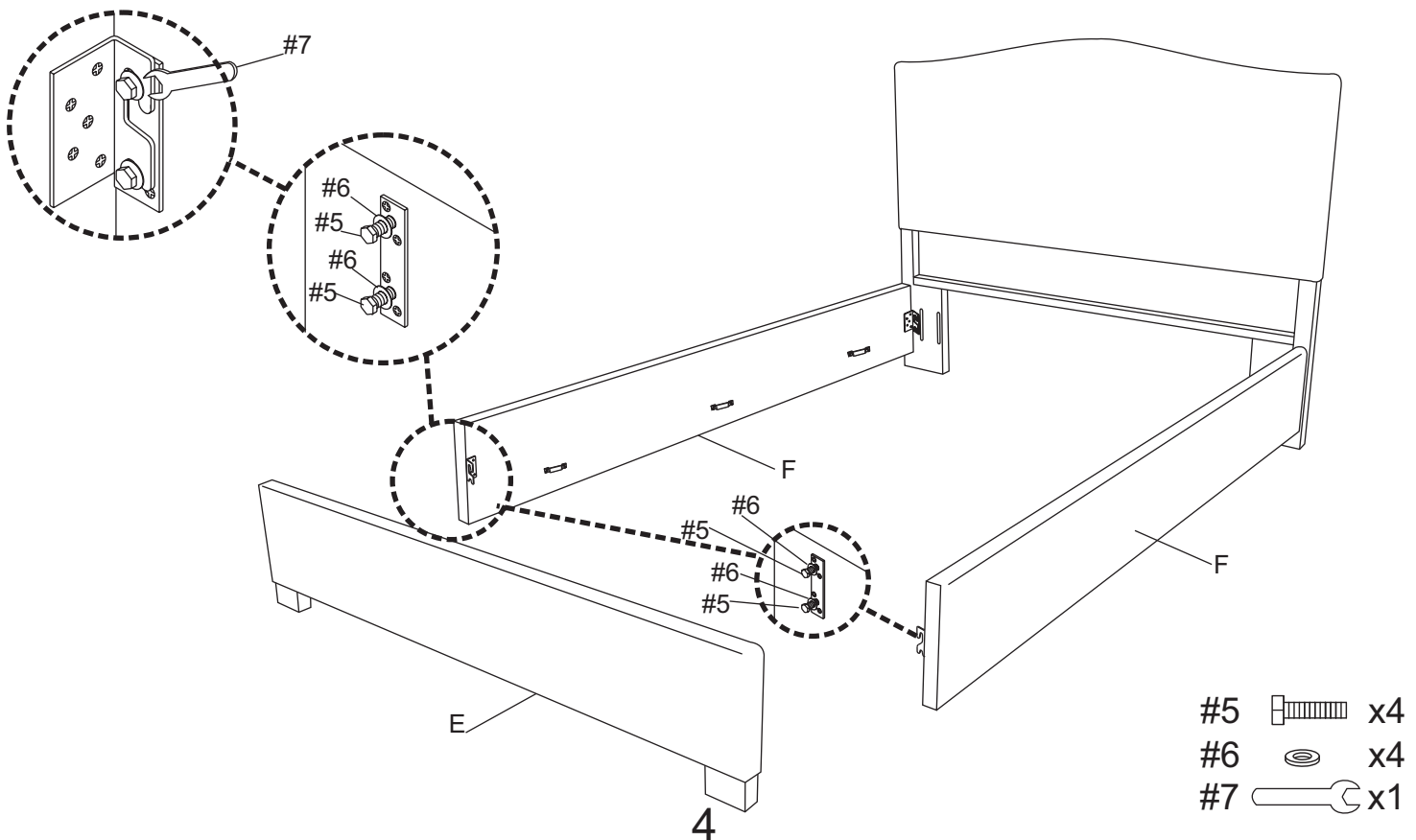
Step 3. Attach side rails (part F) to posts (parts B & C) using hex bolts (part #5), flat washers (part #6) and wrench (part #7).

NOTE: Please do not fully tighten bolts until unit is fully assembled.

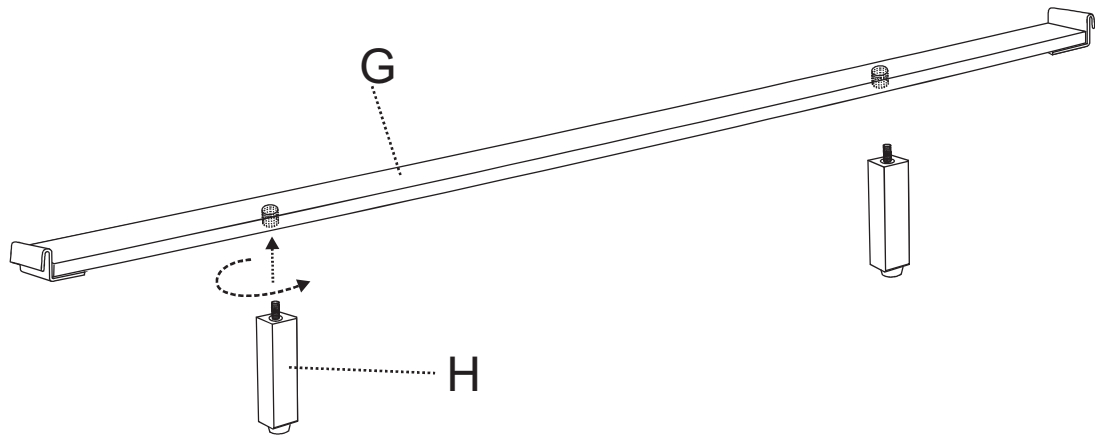


Step 4. Attach footboard (part E) to side rails (part F) using hex bolts (part #5), flat washers (part #6) and wrench (part #7).

NOTE: Please do not fully tighten bolts until unit is fully assembled.



Step 5. Attach center legs (part H) to slats (part G).



Step 6. Place assembled unit (parts G & H) to side rails (part F) by fitting metal supports in place.

NOTE: Please fully tighten all bolts at this time.

