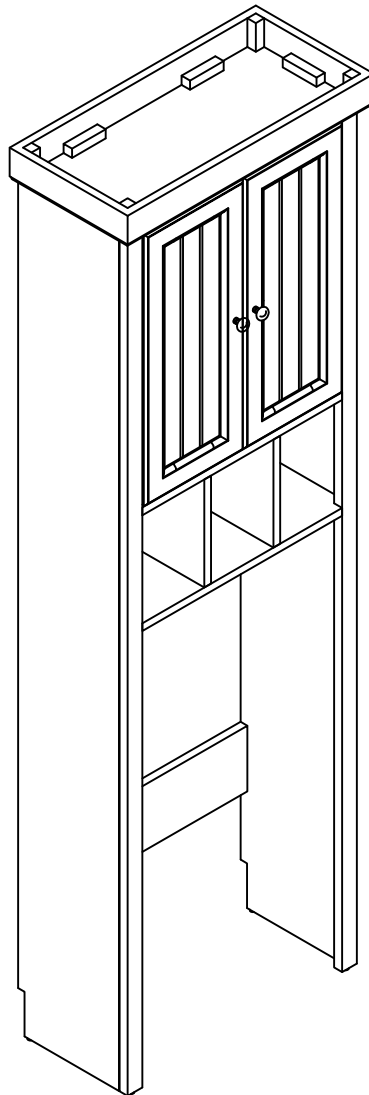


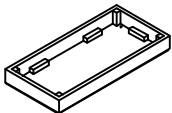
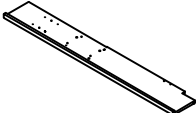
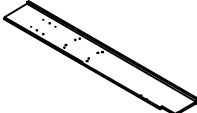
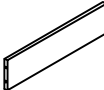
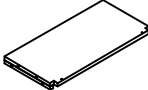

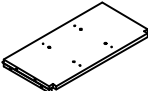
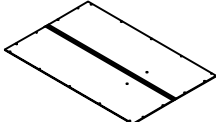
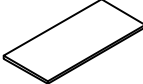


CROSLEY

FURNITURE





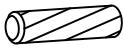
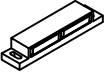








Space Saver Cabinet CF7018



PART LIST

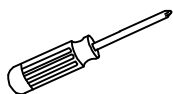
<p>A</p> 	<p>B</p> 	<p>C</p> 	<p>D</p> 	<p>E</p> 
<p>Top Panel 1 PC</p>	<p>Left Panel 1 PC</p>	<p>Right Panel 1 PC</p>	<p>Bottom Rail 1 PC</p>	<p>Fixed Top Panel 1 PC</p>
<p>F</p> 	<p>G</p> 	<p>H2</p> 	<p>I2</p> 	<p>J</p> 
<p>Middle Panel 2 PCS</p>	<p>Fixed Bottom Panel 1 PC</p>	<p>Back Panel 1 PC</p>	<p>Adjustable Shelf 1 PC</p>	<p>Left Door Panel 1 PC</p>
<p>K</p>  <p>Right Door Panel 1 PC</p>				

HARDWARE LIST

 $\phi 1/4" \times 1-1/4"$	 $\phi 1/4" \times 1-1/8"$	 $\phi 1/4"$	 $\phi 1/4" \times 12\text{mm}$	 $\phi 8 \times 30\text{mm}$
Long Bolt 4 PCS	Short Bolt 14 PCS (Extra 1)	Spring Washer 14 PCS (Extra 1)	Flat Washer 14 PCS (Extra 1)	Wood Dowel 20 PCS (Extra 1)
	 $\phi 3 \times 14\text{mm}$	 $\phi 8 \times 1"$		 $\phi 3 \times 14\text{mm}$
Double Magnet 1 PC	Round Head Screw 2 PCS	Long Screw 4 PCS	Shelf Holder 4 PCS	Screw 20 PCS (Extra 1)
	 $\phi 5/32" \times 3/4"$			
Knob 2 PCS	Round Head Bolt 2 PCS	Allen Wrench 1 PC	Safety Strap Kit 1 SET	

ADDITIONAL TOOLS (Not Provided)

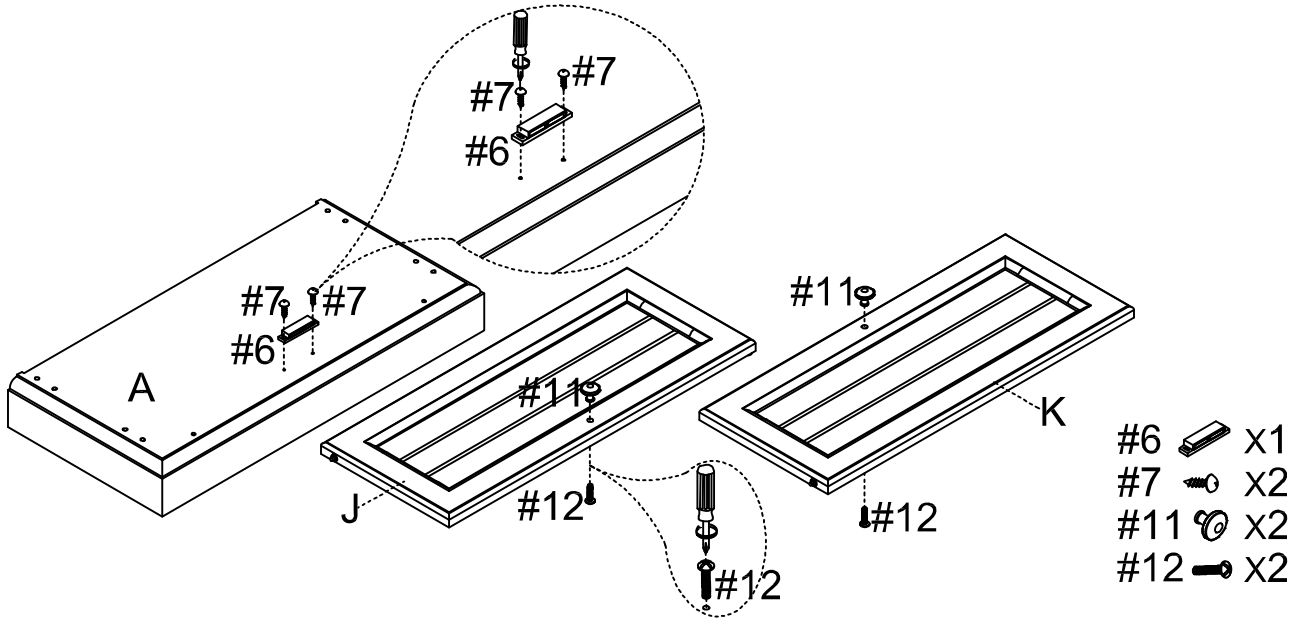
Note: It is not recommended to use power tools during assembly.



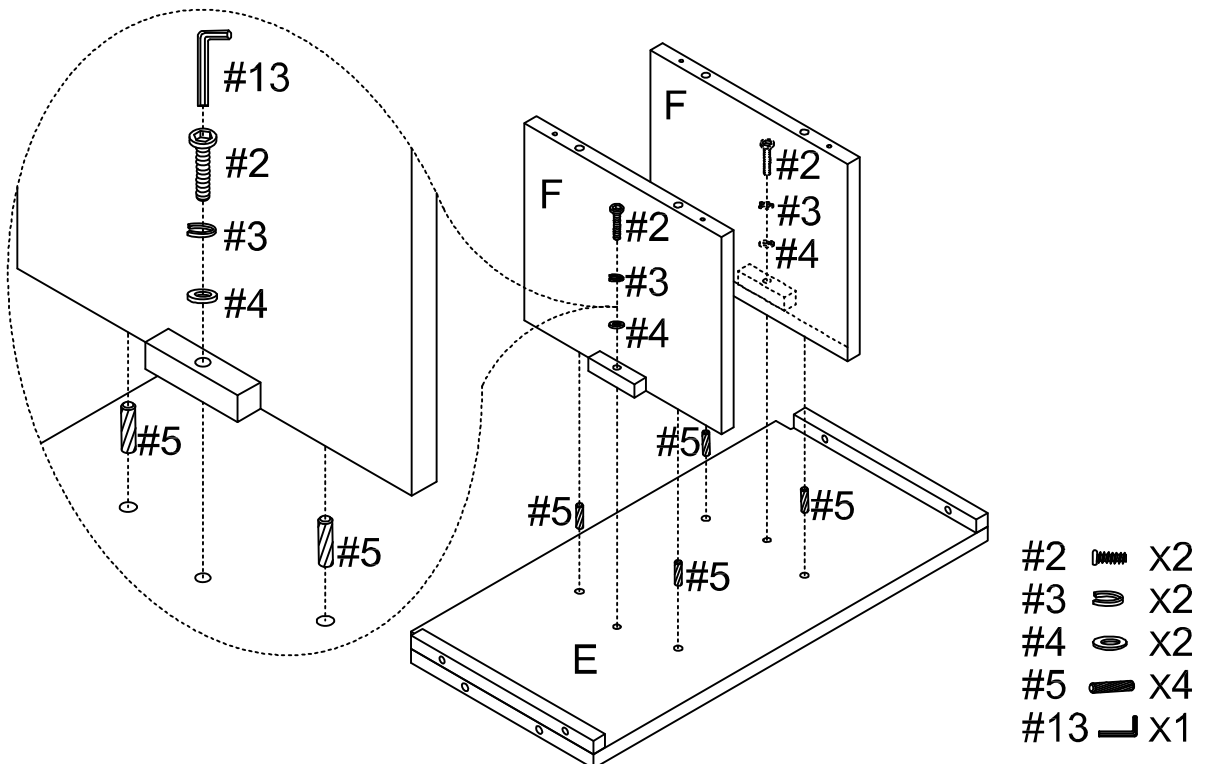
Phillips Head Screwdriver

Note: Wood dowels are intended for alignment. Additional clearance between wood dowel and pre-drilled hole is intentional for ease of assembly.

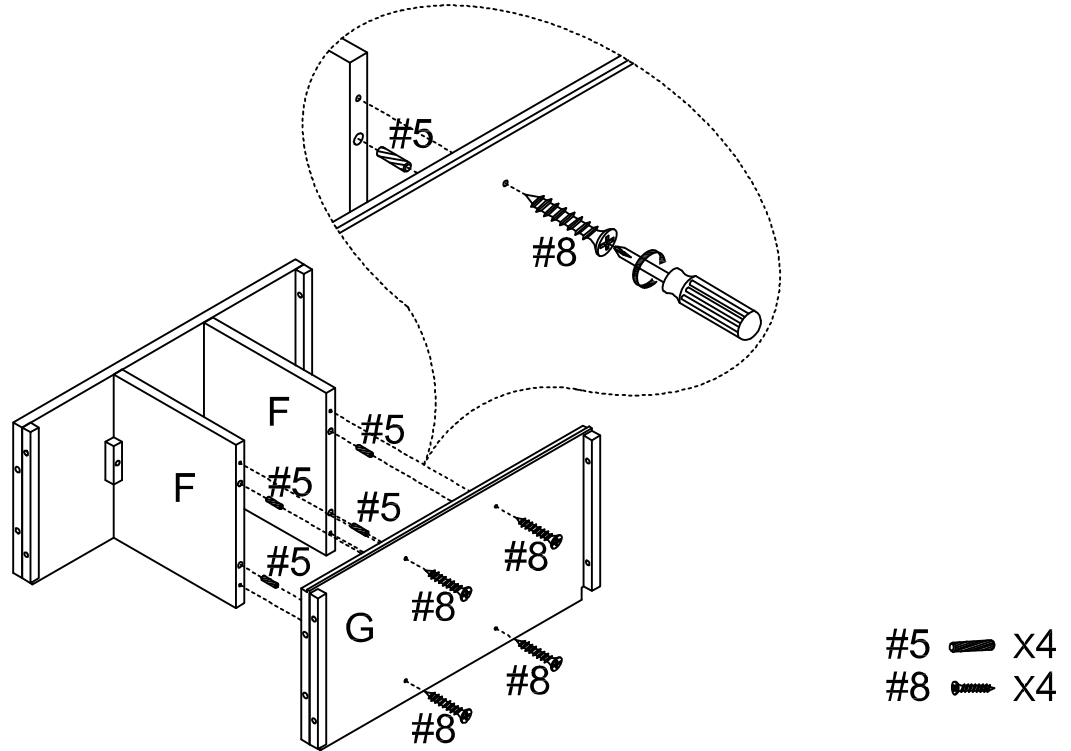
Step 1. Attach knobs (part #11) to door panels (parts J & K) using round head bolts (part #12) and phillips head screwdriver. Attach double magnet (part #6) to top panel (part A) using round head screws (part #7) and phillips head screwdriver.



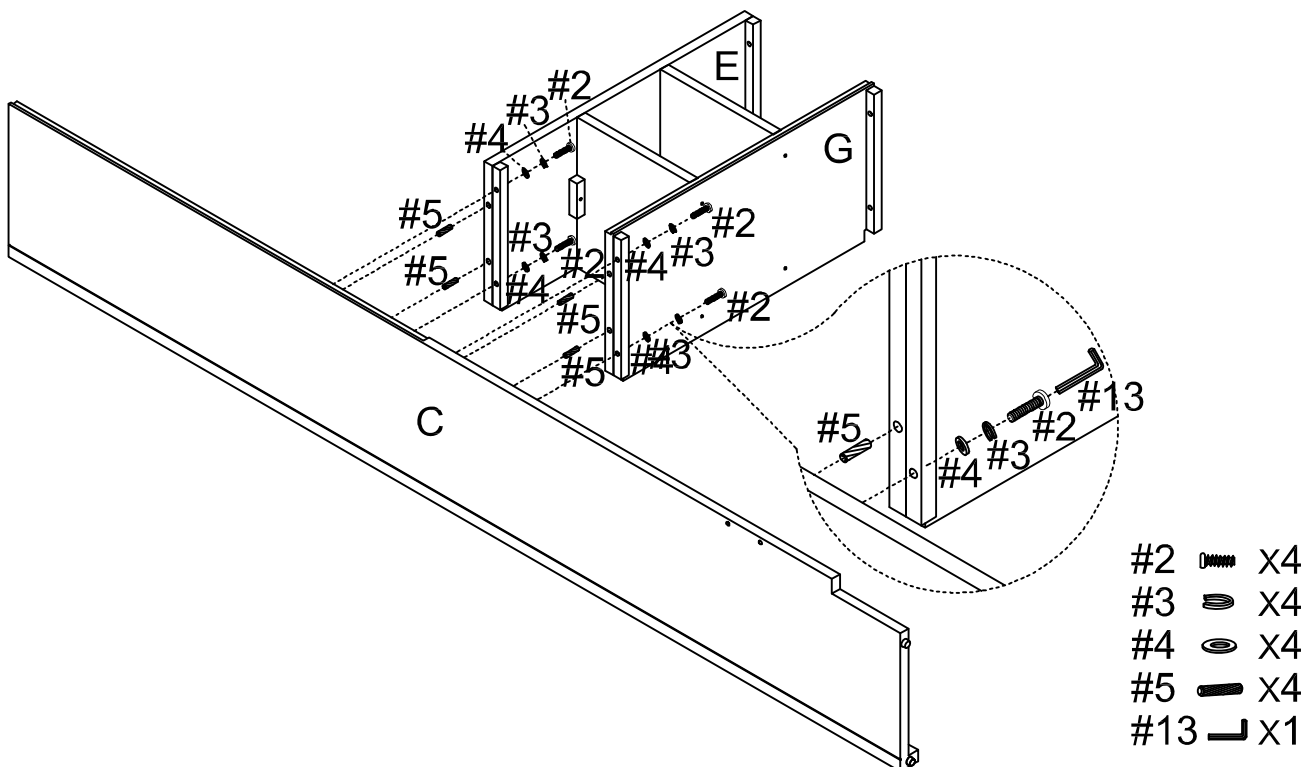
Step 2. Attach middle panels (part F) to fixed top panel (part E) using wood dowels (part #5), short bolts (part #2), spring washers (part #3), flat washers (part #4) and allen wrench (part #13).



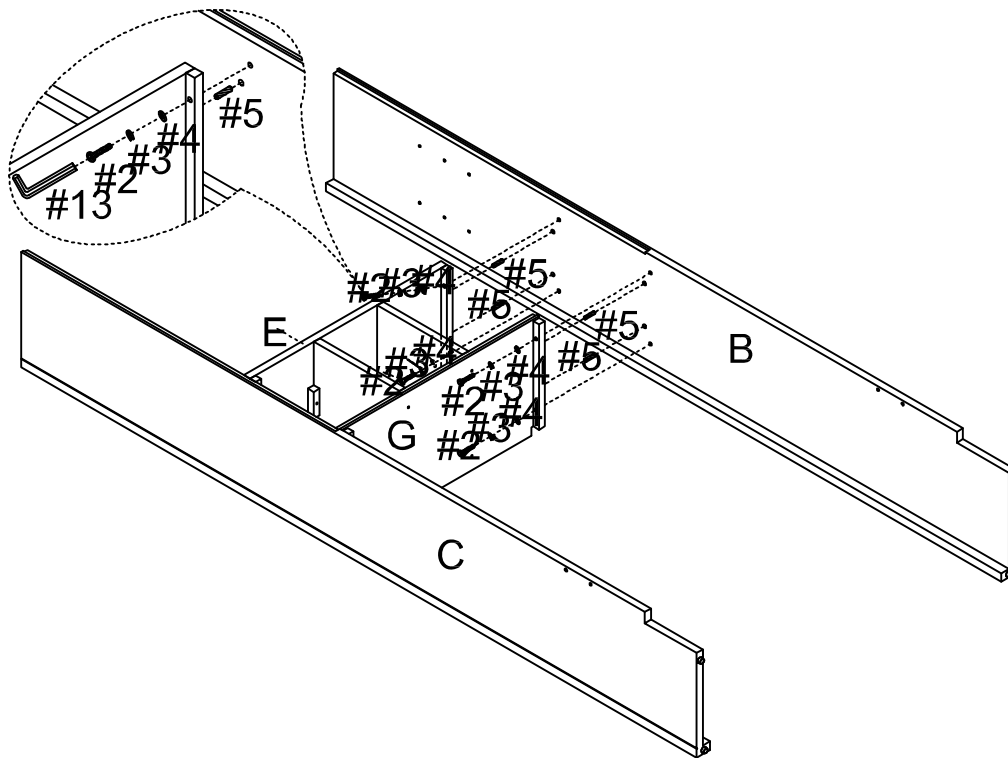
Step 3. Attach fixed bottom panel (part G) to middle panels (part F) using wood dowels (part #5), long screws (part #8) and phillips head screwdriver.








Step 4. Attach right panel (part C) to assembled unit (parts E & G) using wood dowels (part #5), short bolts (part #2), spring washers (part #3), flat washers (part #4) and allen wrench (part #13).

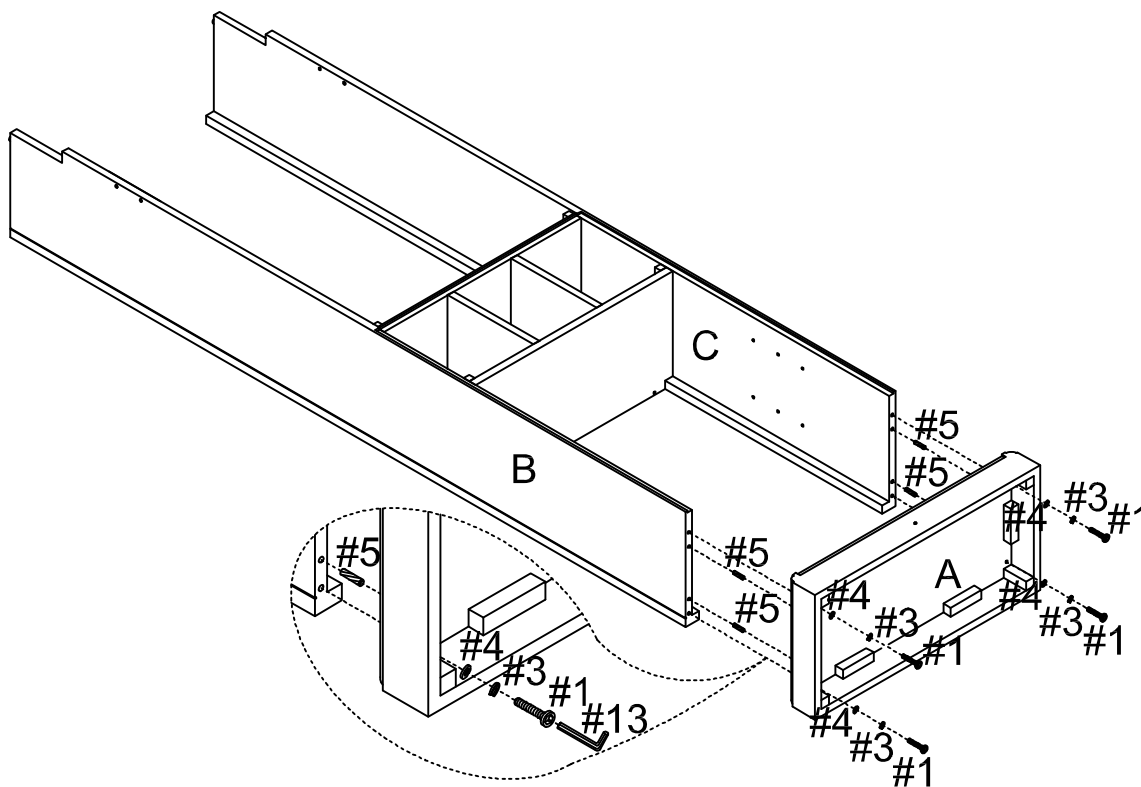







Step 5. Attach left panel (part B) to assembled unit (parts E & G) using wood dowels (part #5), short bolts (part #2), spring washers (part #3), flat washers (part #4) and allen wrench (part #13).



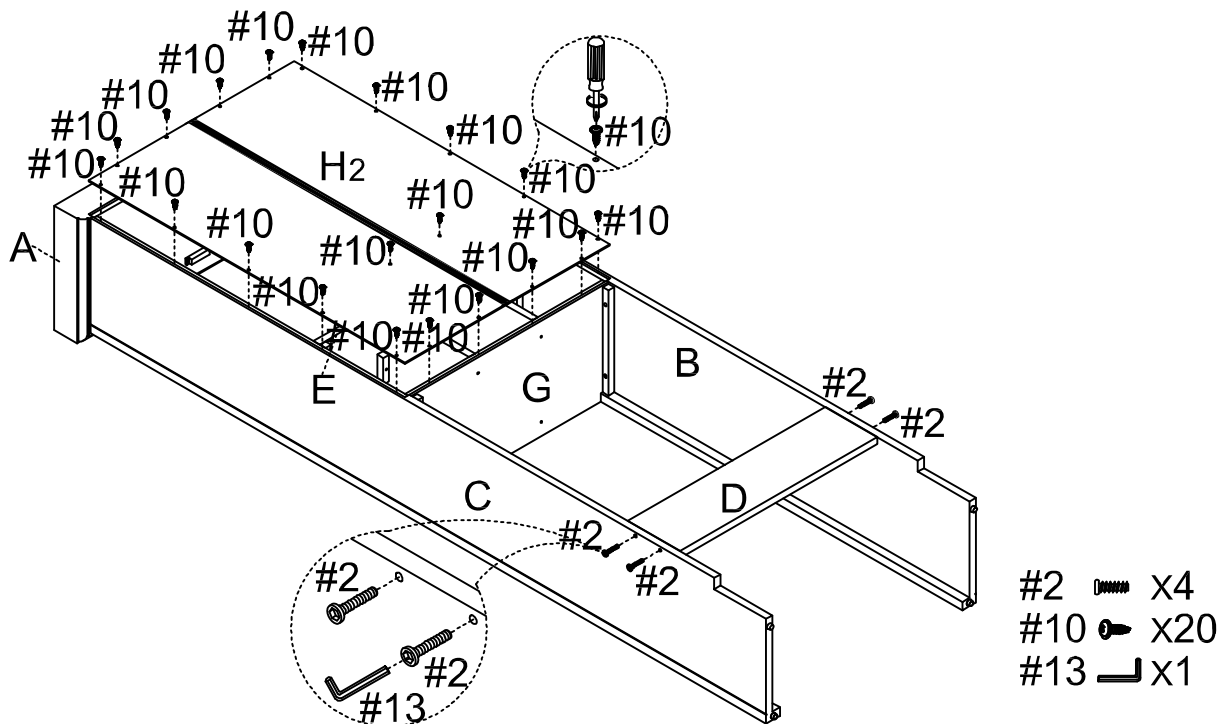
- #2  X4
- #3  X4
- #4  X4
- #5  X4
- #13  X1

Step 6. Attach top panel (part A) to panels (parts B & C) using wood dowels (part #5), long bolts (part #1), spring washers (part #3), flat washers (part #4) and allen wrench (part #13).



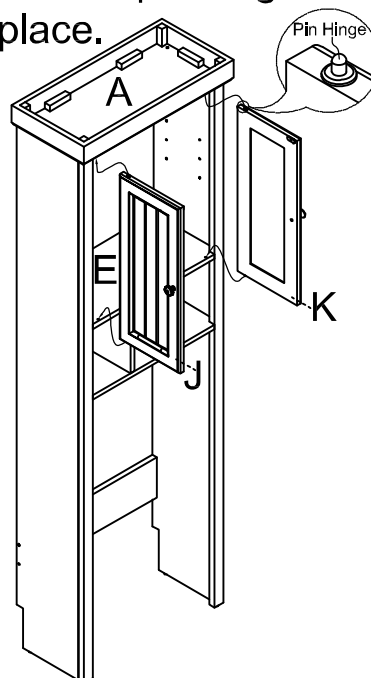
- #1  X4
- #3  X4
- #4  X4
- #5  X4
- #13  X1

Step 7. Attach back panel (part H2) to assembled unit (parts A, B, C, E & G) using screws (part #10) and phillips head screwdriver. Attach bottom rail (part D) to panels (parts B & C) using short bolts (part #2) and allen wrench (part #13).

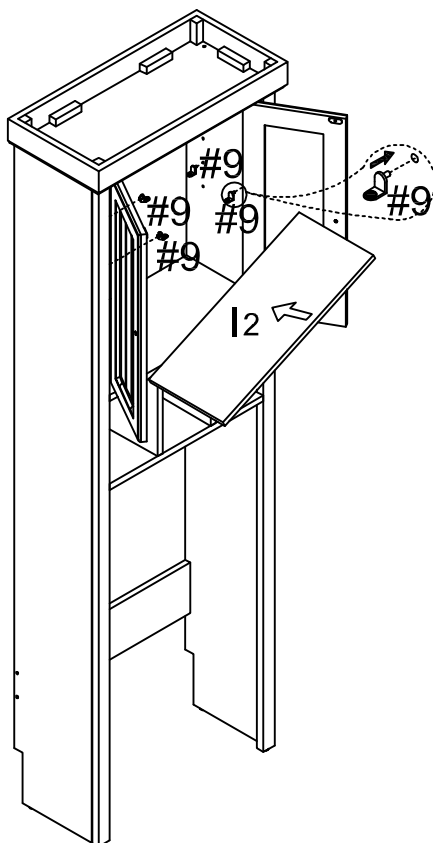


Step 8. Carefully turn unit upright. Attach door panels (parts J & K) by placing bottom pin hinge (pre-installed in door) in the pre-drilled hole of fixed top panel (part E). Then depress the top spring-loaded pin hinge so it can be placed in the pre-drilled hole of top panel (part A).

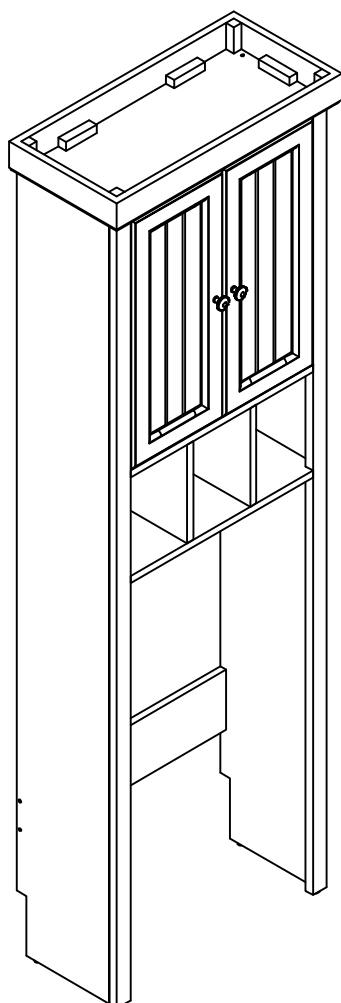
Note: Be sure top and bottom pin hinges are fully extended to secure doors in place.


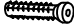






Step 9. Place shelf holders (part #9) into desired position and then slide adjustable shelf (part I2) into place.



#9  x4



#13	A	B	C	D	E
					
Safety Strap Kit 1 SET	Wall Anchor 1 PC	Bracket 2 PCS	5/8"x ϕ 3xD8 Short Screw 1 PC	1-1/2"x ϕ 4xD8 Long Screw 1 PC	Safety Wall Strap 1 PC

SAFETY WALL STRAP INSTALLATION

Note: It is highly recommended to install this safety strap kit to prevent tipping, damage and/or injury.

1. Insert short screw (C) and safety wall strap (E) through bracket (B) and attach to top panel (part A) using phillips head screwdriver.
2. Drill a 11/32" hole where you want to secure the unit. The drilled hole will be at the same height as the hole in top panel (part A) where bracket (B) is attached. Tap wall anchor (A) into the hole.
3. Insert long screw (D) and safety wall strap (E) through bracket (B) into wall anchor (A) using phillips head screwdriver.

Note: This item is not intended for clothing storage use.

