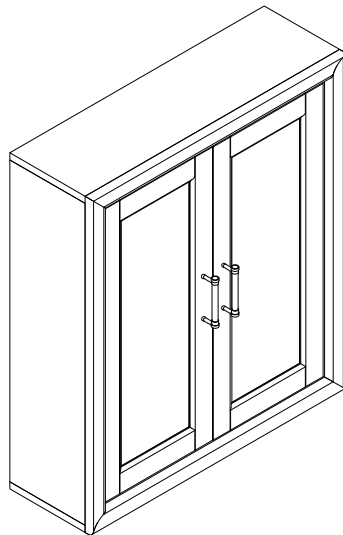
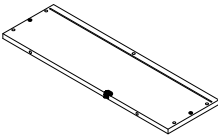
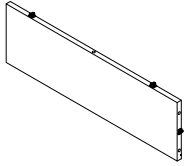
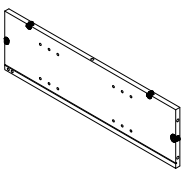
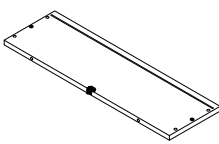
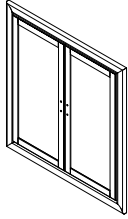
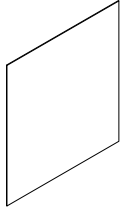
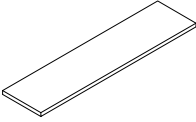
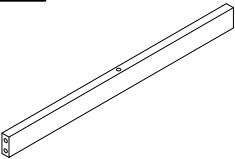
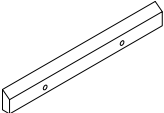




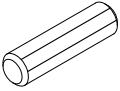

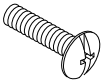
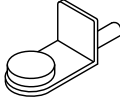

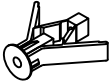
Wall Cabinet  
CF7012



# PART LIST

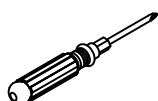
<b>A</b> 	<b>B</b> 	<b>C</b> 	<b>D</b> 	<b>E</b> 
Top Panel 1 PC	Left Side Panel 1 PC	Right Side Panel 1 PC	Bottom Panel 1 PC	Front Frame 1 PC
<b>F</b> 	<b>G</b> 	<b>H</b> 	<b>I</b> 	
Back Panel 1 PC	Adjustable Shelf 2 PCS	Rail 1 PC	Support Plate 1 PC	

# HARDWARE LIST

<b>#1</b>  <p>Ø8*30mm</p>	<b>#2</b> 	<b>#3</b>  <p>3/4"*Ø5/32"*D9mm</p>	<b>#4</b> 	<b>#5</b>  <p>38mm*Ø4"*D8mm</p>
Wood Dowel 20 PCS(Extra 1)	Handle 2 PCS	Round Head Bolt 5 PCS(Extra 1)	Shelf Holder 9 PCS(Extra 1)	Long Round Head Screw 3 PCS(Extra 1)
<b>#6</b> 				
Wall Anchor 2 PCS				

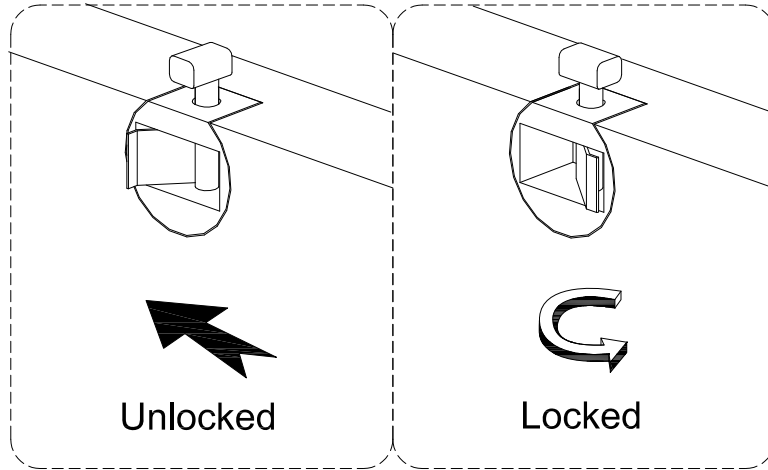
ADDITIONAL TOOLS (Not Provided)

Note: It is not recommended to use power tools during assembly.



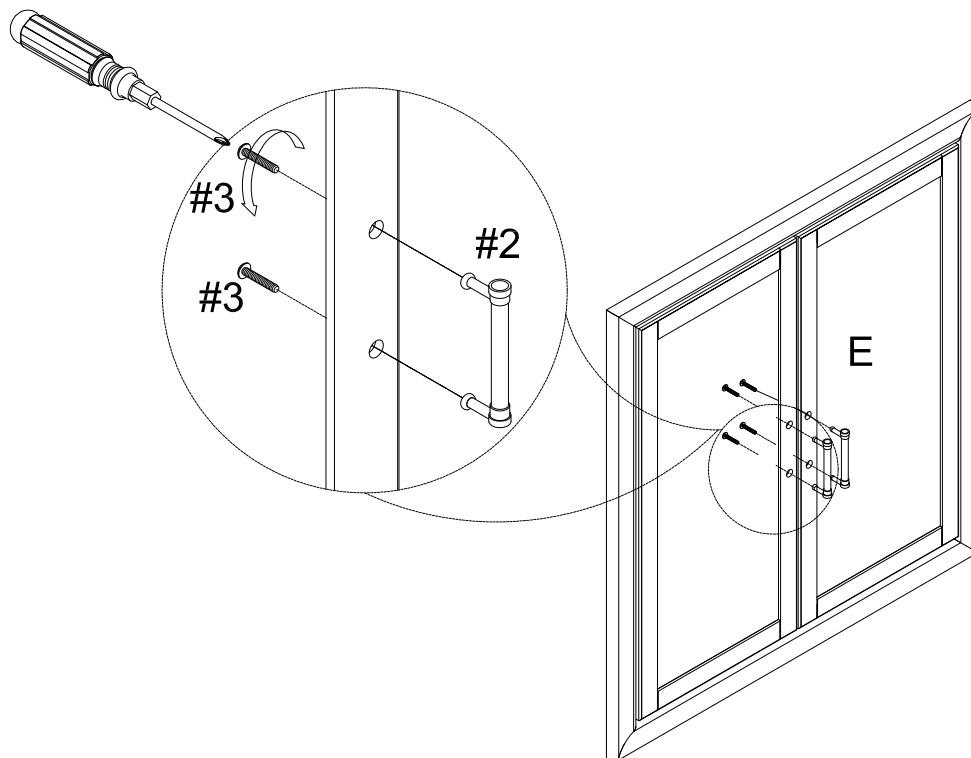
Phillips Head Screwdriver



Please do not use tools to assemble this unit unless specifically indicated.



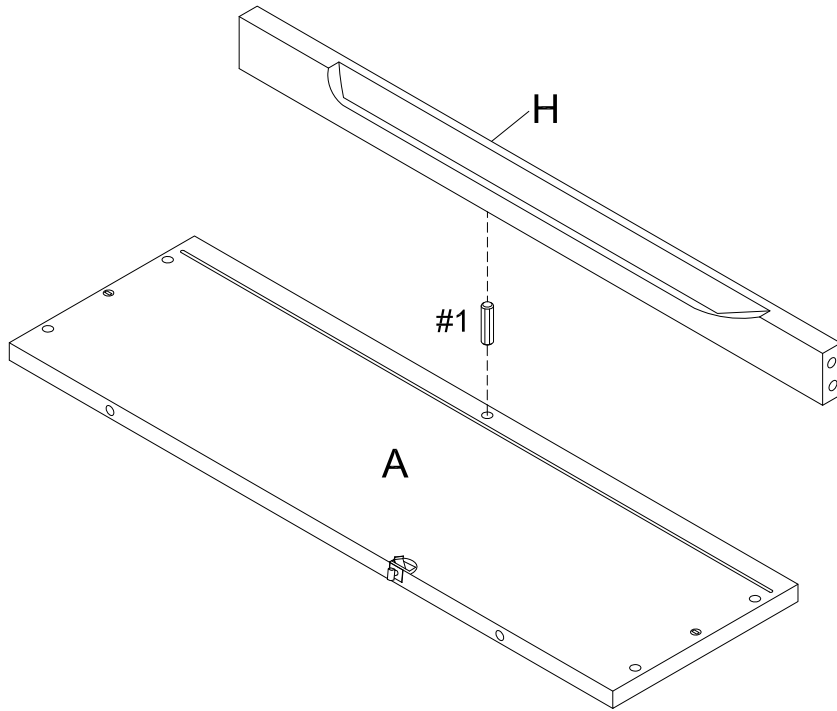
Reference the images above any time the instructions state "lock the hardware".  
Note: Be sure to check all hardware is locked when completed.

Step 1. Attach handles (part #2) to front frame (part E) using round head bolts (part #3) and phillips head screwdriver.



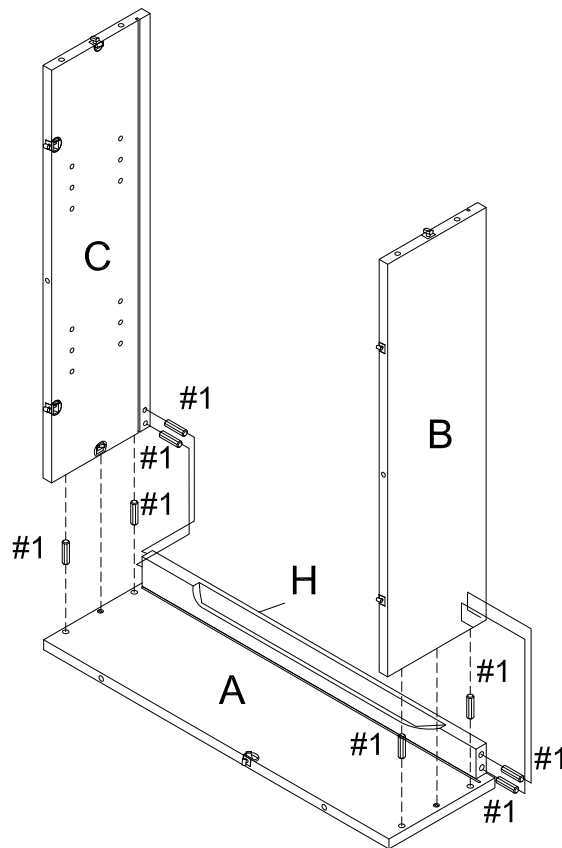
#2  x 2  
#3  x 4

Step 2. Lay top panel (part A) upside down on a soft surface, such as carpet, as shown below. Attach rail (part H) to top panel (part A) using wood dowel (part #1).



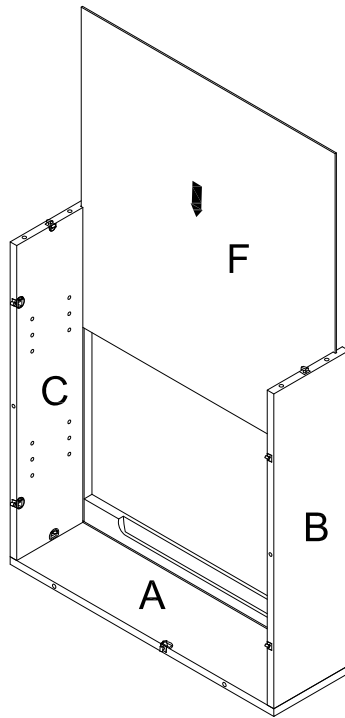
#1  x 1

Step 3. Attach left side panel (part B) and right side panel (part C) to top panel (part A) and rail (part H) using wood dowels (part #1) and lock the hardware.

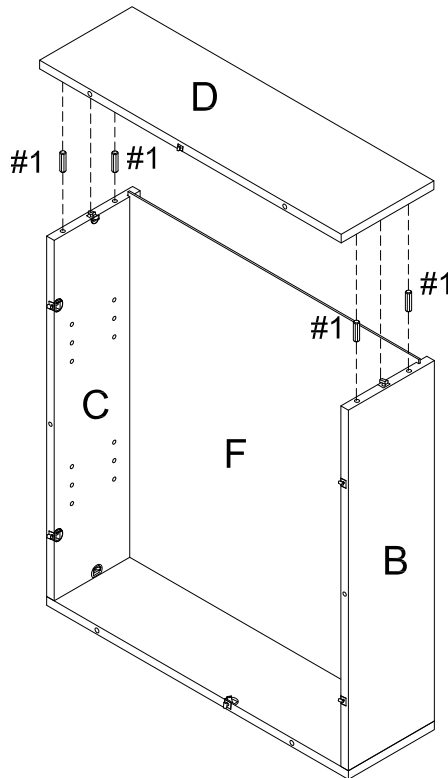



#1  x 8

Step 4. Slide back panel (part F) into grooves of left side panel (part B), right side panel (part C) and top panel (part A).

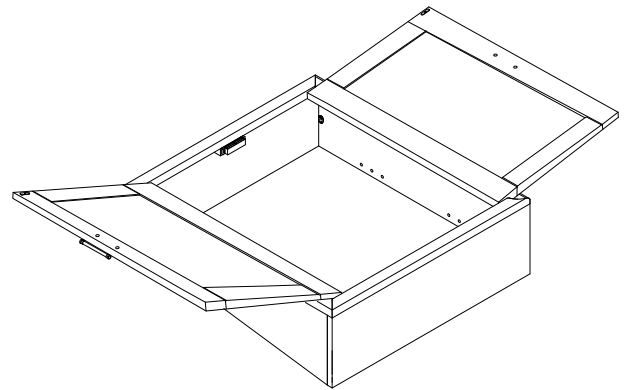
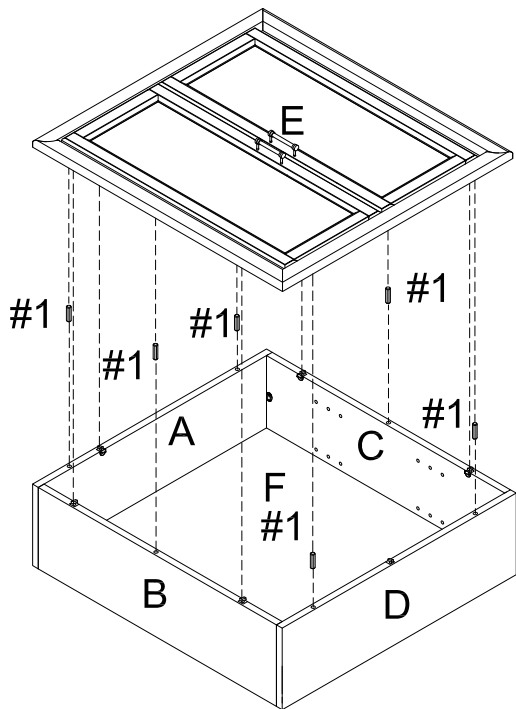


Step 5. Attach bottom panel (part D) to left side panel (part B), right side panel (part C) and back panel (part F) using wood dowels (part #1) and lock the hardware.



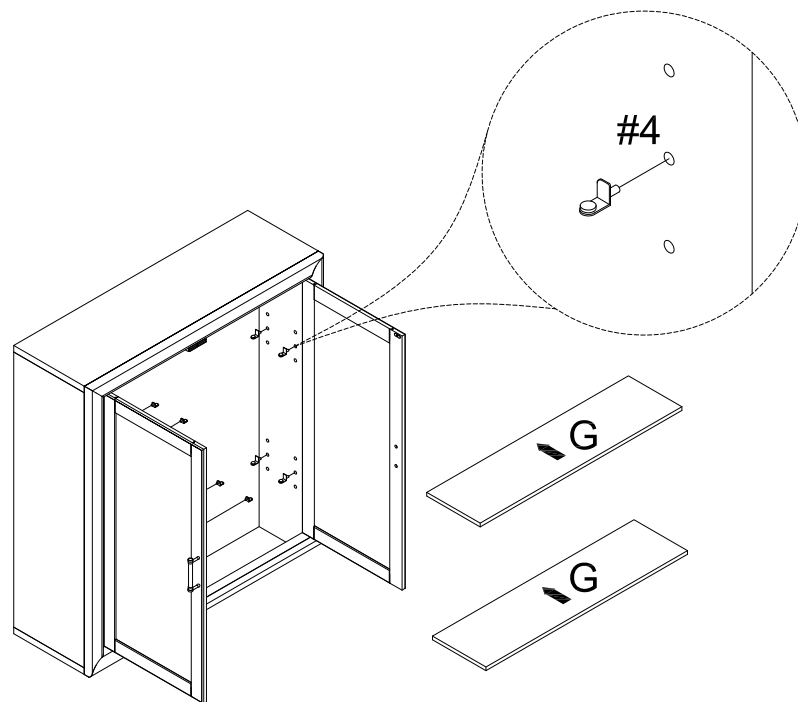
#1  x 4

Step 6. Attach front frame (part E) to top panel (part A), left side panel (part B), right side panel (part C) and bottom panel (part D) using wood dowels (part #1). Open the doors and lock the hardware.



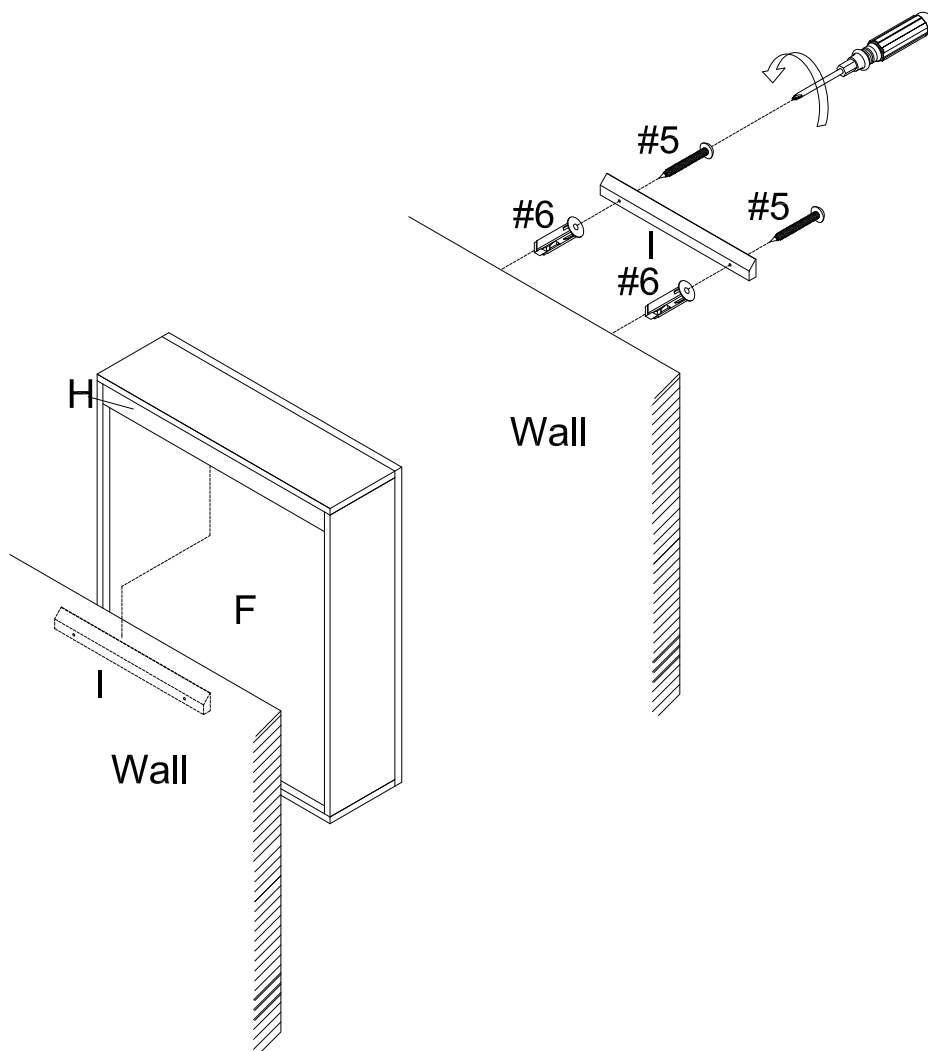
#1  x 6



Step 7. Carefully turn unit upright. Place shelf holders (part #4) into desired position and then slide adjustable shelves (part G) into place.



#4  x 8

Step 8. Hold support plate (part I) in the desired location of cabinet. The support plate (part I) will be about 2" lower than the top of cabinet. Making sure support plate (part I) is leveled, use a pencil to mark wall anchors locations using the support plate (part I) screw holes as a guide. We recommend using a leveler to make sure support plate (part I) is oriented correctly. Drill two 11/32" holes in these marked spots and tap wall anchors (part #6) into the drilled holes. Secure support plate (part I) to wall anchors (part #6) using long round head screws (part #5). Mount cabinet onto support plate (part I). The back of cabinet has a recessed area that will hook on the support plate (part I).



- #5  X 2
- #6  X 2