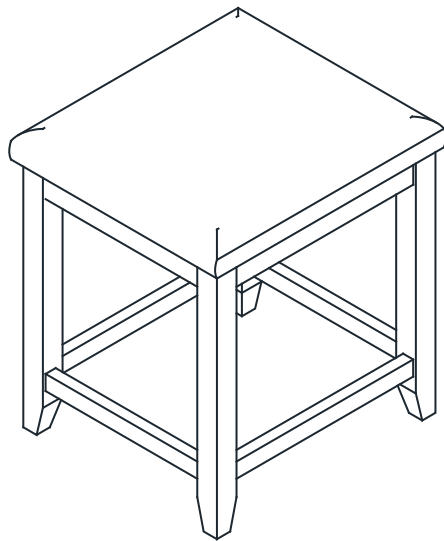
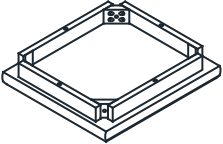

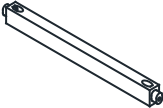
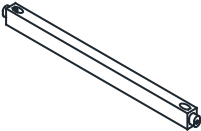


CROSLEY
FURNITURE



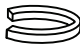


Vanity Stool
CF7007



PART LIST

<div data-bbox="146 143 188 181" data-label="Text">A</div> 	<div data-bbox="406 143 448 181" data-label="Text">B</div> 	<div data-bbox="667 143 708 181" data-label="Text">C</div> 	<div data-bbox="927 143 968 181" data-label="Text">D</div> 
<div data-bbox="194 443 357 510" data-label="Text"> <p>Seat Panel 1 PC</p> </div>	<div data-bbox="485 443 584 510" data-label="Text"> <p>Leg 4 PCS</p> </div>	<div data-bbox="686 443 906 510" data-label="Text"> <p>Short Stretcher 2 PCS</p> </div>	<div data-bbox="957 443 1171 510" data-label="Text"> <p>Long Stretcher 2 PCS</p> </div>

HARDWARE LIST

<div data-bbox="146 678 188 716" data-label="Text">#1</div> 	<div data-bbox="406 678 448 716" data-label="Text">#2</div> 	<div data-bbox="667 678 708 716" data-label="Text">#3</div> 	<div data-bbox="927 678 968 716" data-label="Text">#4</div> 	<div data-bbox="1187 678 1228 716" data-label="Text">#5</div> 
<div data-bbox="178 909 357 940" data-label="Text"> <p>M6 x 45mm</p> </div>	<div data-bbox="453 909 628 940" data-label="Text"> <p>M4 x 38mm</p> </div>	<div data-bbox="676 976 906 1048" data-label="Text"> <p>Spring Washer 4 PCS (Extra 1)</p> </div>	<div data-bbox="944 976 1174 1048" data-label="Text"> <p>Flat Washer 4 PCS (Extra 1)</p> </div>	<div data-bbox="1219 976 1417 1048" data-label="Text"> <p>Allen Wrench 1 PC</p> </div>

ADDITIONAL TOOLS (Not Provided)

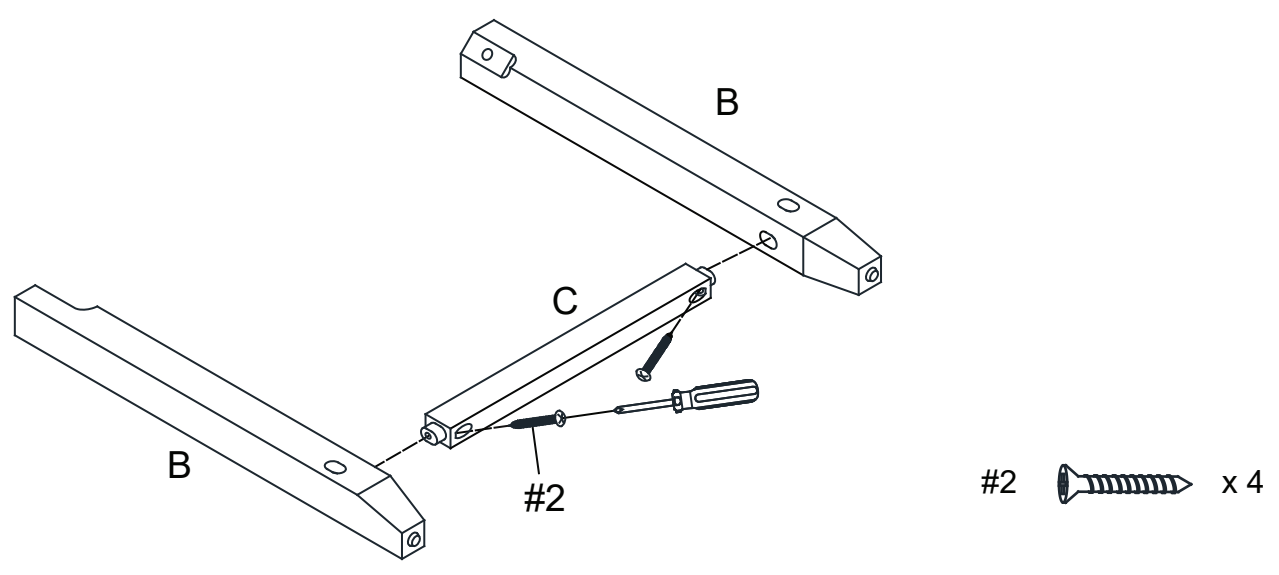
Note: It is not recommended to use power tools during assembly.



Phillips Head Screwdriver

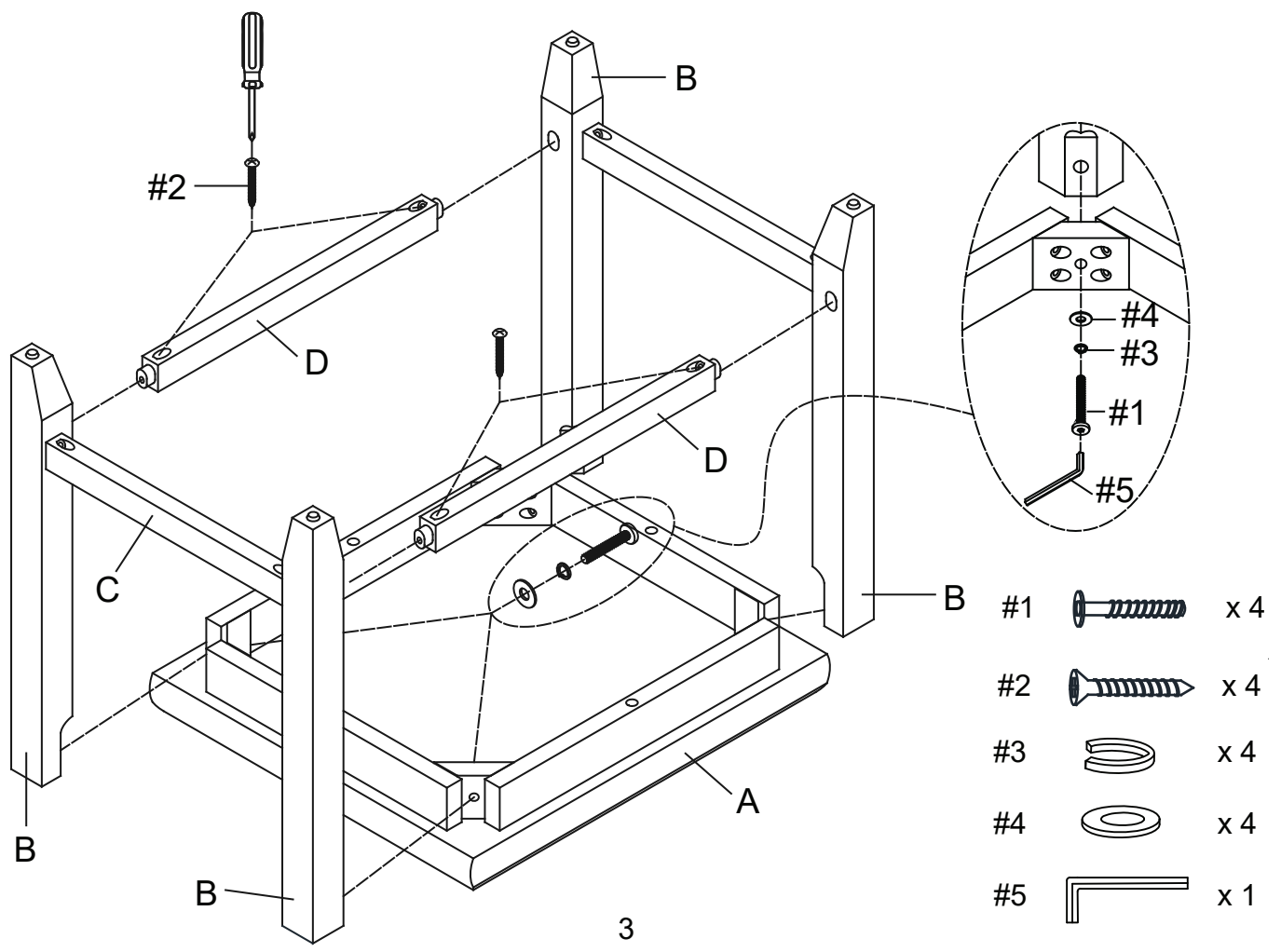
Step 1. Attach short stretcher (part C) to legs (part B) using screws (part #2) and phillips head screwdriver. Repeat for remaining legs.

NOTE: Please do not fully tighten screws until unit is fully assembled.



Step 2. Attach assembled unit (parts B & C) to seat panel (part A) and long stretchers (part D) using screws (part #2), bolts (part #1), spring washers (part #3), flat washers (part #4), allen wrench (part #5) and phillips head screwdriver.

NOTE: Please fully tighten all bolts and screws at this time.



Step 3. Carefully turn unit upright.

