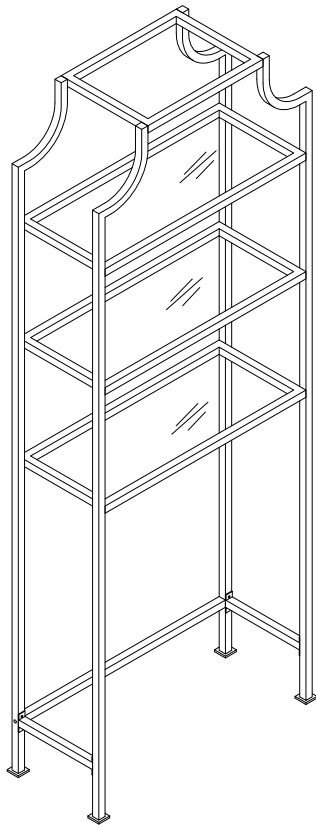
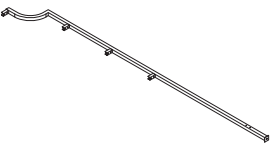
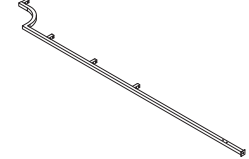
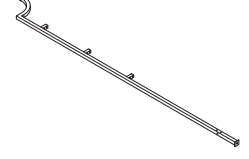
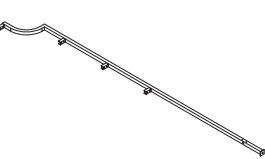
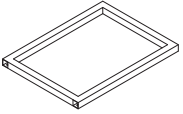
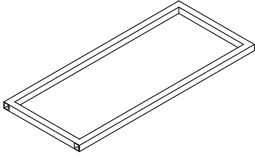
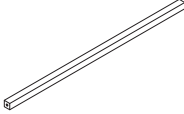
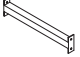
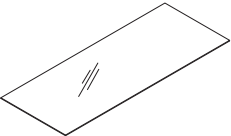


**CROSLEY**  
FURNITURE

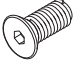
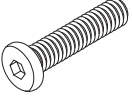



Space Saver  
CF6202



# PART LIST

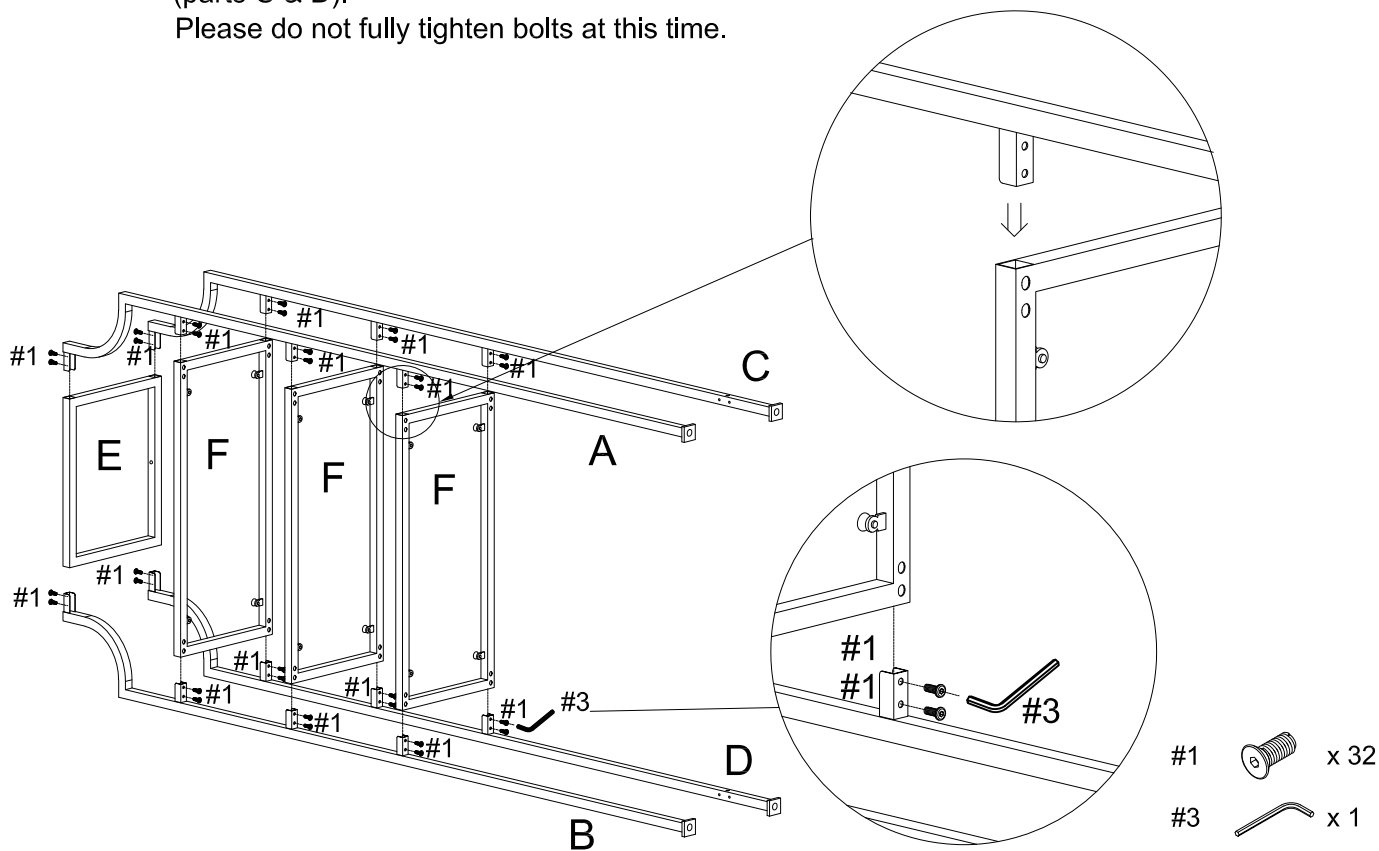
				
<p>Front Right Leg 1 PC</p>	<p>Front Left Leg 1 PC</p>	<p>Back Right Leg 1 PC</p>	<p>Back Left Leg 1 PC</p>	<p>Top Shelf Frame 1 PC</p>
				
<p>Shelf Frame 3 PCS</p>	<p>Bottom Bar 1 PC</p>	<p>Cross Bar 2 PCS</p>	<p>Shelf Glass 3 PCS</p>	

# HARDWARE LIST

				
<p>1/4" x 1/2"L</p> <p>Sunk Bolt 40 PCS (Extra 1)</p>	<p>1/4"x1-1/2"</p> <p>Long Bolt 2 PCS (Extra 1)</p>	<p>Allen Wrench 1 PC</p>	<p>Safety Strap Kit 1 SET</p>	<p>Suction Cup Extra 2 PCS</p>

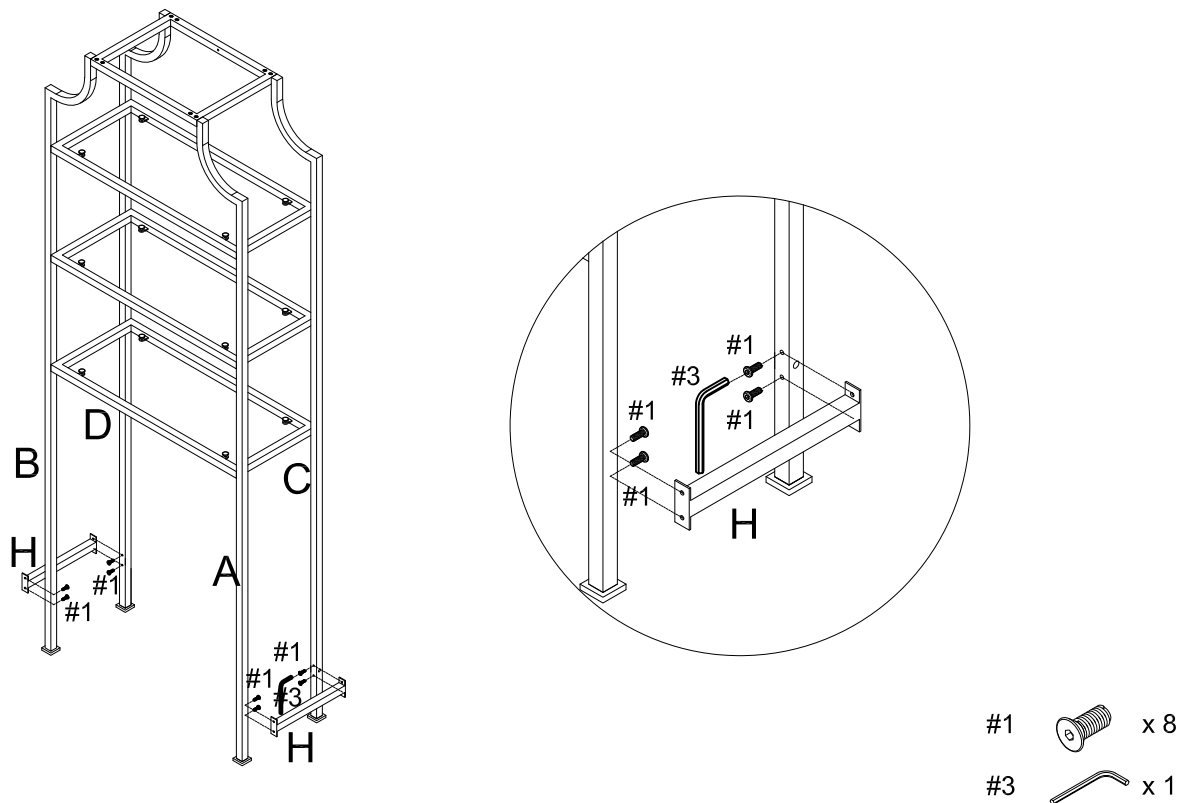
Step 1. Insert top shelf frame (part E) and shelf frames (part F) into front left leg (part B) and back left leg (part D). Insert front right leg (part A) and back right leg (part C) into top shelf frame (part E) and shelf frames (part F) using sunk bolts (part #1) and allen wrench (part #3).

Note: The anti-tip hole on top shelf frame (part E) should be on the same side as back legs (parts C & D).  
Please do not fully tighten bolts at this time.



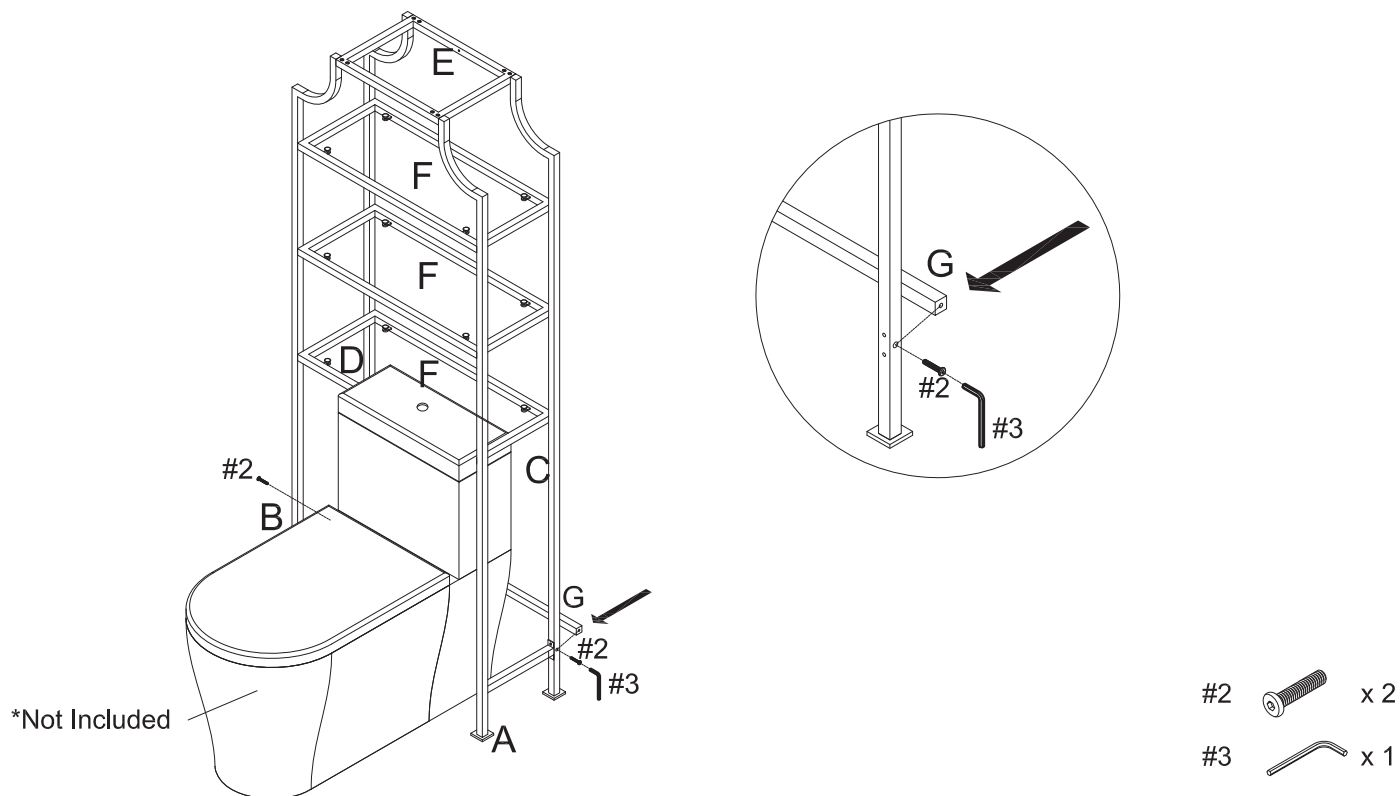
Step 2. Carefully turn unit upright. Attach cross bars (part H) between front legs and back legs (parts A & C, B & D) using sunk bolts (part #1) and allen wrench (part #3).

Note: Please fully tighten bolts at this time.



Step 3. Place assembled unit in desired location. Attach bottom bar (part G) between back legs (parts C & D) using long bolts (part #2) and allen wrench (part #3).

Note: Please fully tighten all bolts at this time.

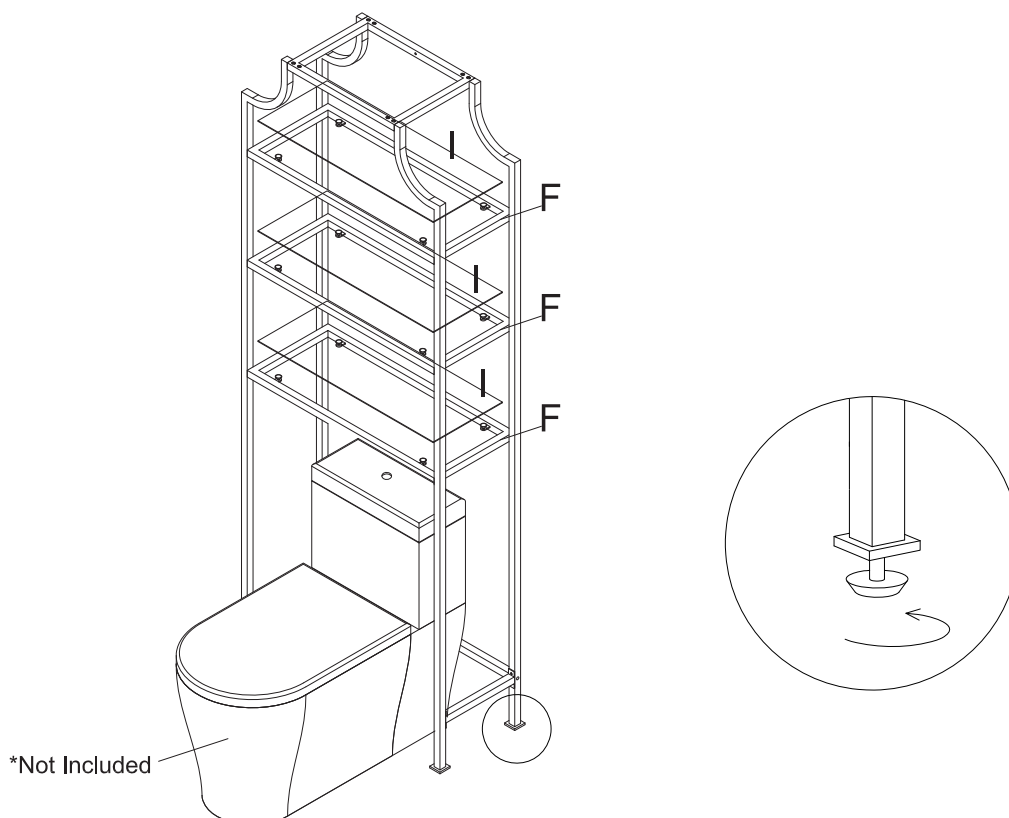



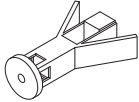




Step 4. Carefully install shelf glass (part I) into shelf frames (part F).

Important: Safety strap kit (part #4) must be installed to prevent tipping, damage and / or injury.

Note: It is important to adjust levelers once fully assembled and upright.

Extend adjustable levelers until it's firmly in contact with the floor. If relocating, adjust leveler as needed until it's firmly in contact with the floor in new location.



#4	A	B	C	D	E
					
Safety Strap Kit 1 SET	Wall Anchor 1 PC	Hook 2 PCS	D8 x 1-1/2" Screw 1 PC	D10 x 1/2" Bolt 1 PC	Safety Wall Strap 1 PC

## SAFETY WALL STRAP INSTALLATION

Important: Safety strap kit (part #4) must be installed to prevent tipping, damage and / or injury.

1) Insert bolt (D) through hook (B) and attach to predrilled hole in top shelf frame (part E) using a philips head screwdriver.

2) Drill 11/32" hole in the wall where this unit will be secured. The drilled hole will be at the same height as the hole in top shelf frame (part E) where hook (B) was attached. Tap wall anchor (A) into the drilled hole.

3) Insert screw (C) through hook (B) into the wall anchor (A) using a philips head screwdriver.

4) Insert safety wall strap (E) through both hooks (B) and tighten to secure.

Note: This item is not intended for clothing storage use.

