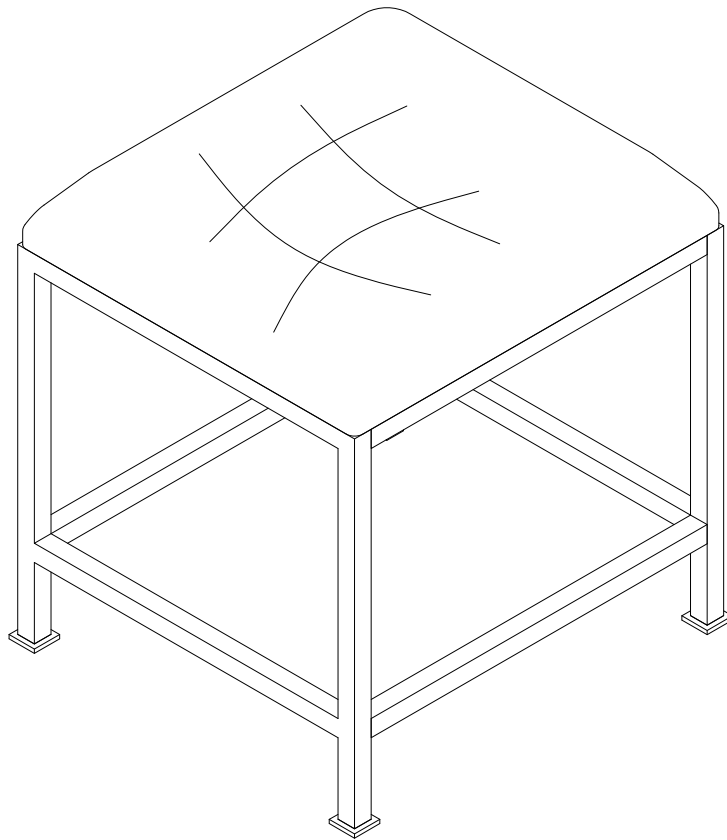
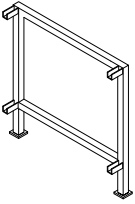
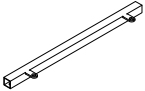
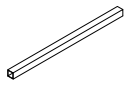
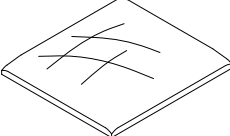


**CROSLEY**  
FURNITURE

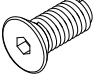
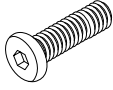

Vanity Stool  
CF1310



# PART LIST

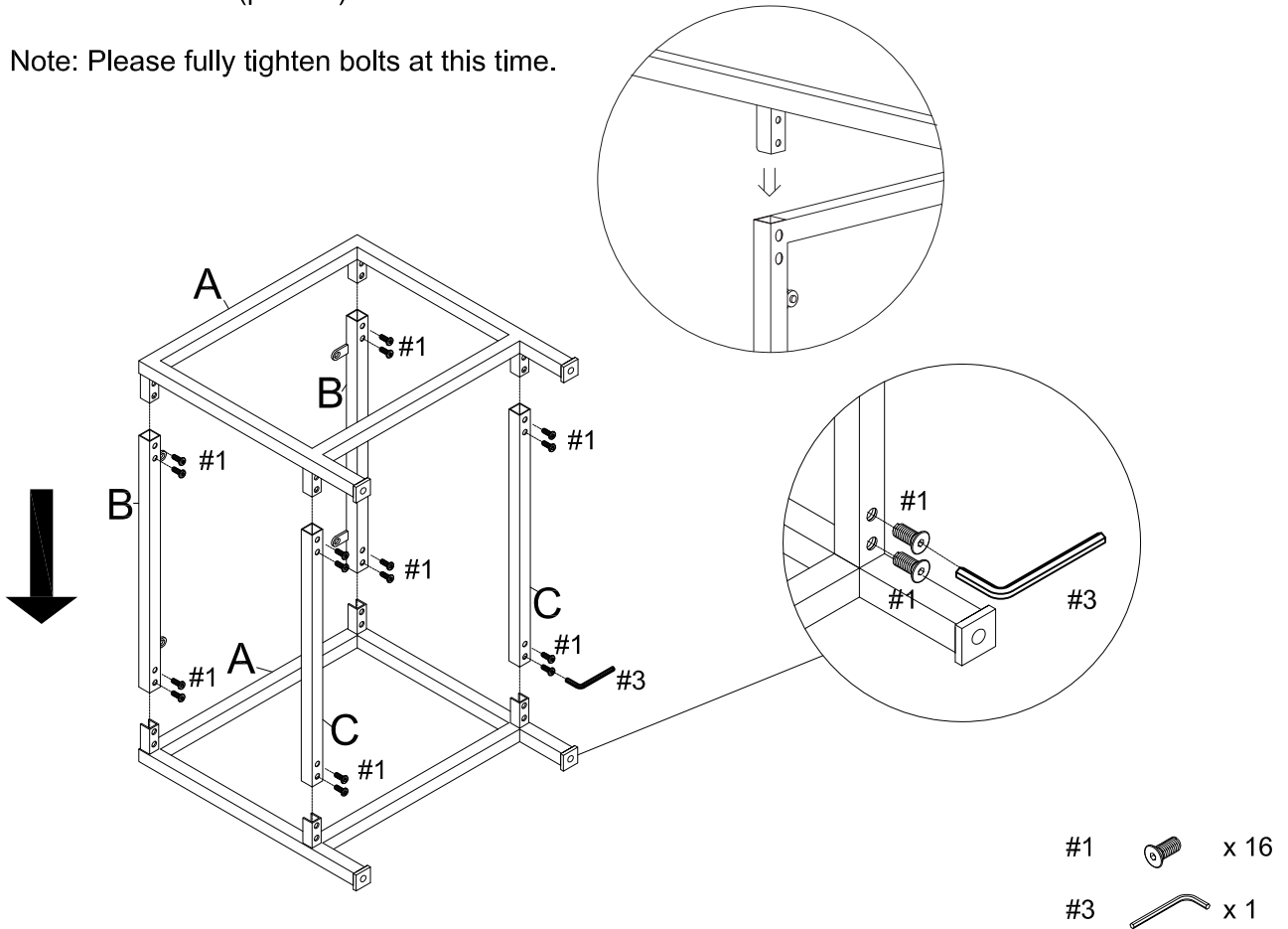
<p><b>A</b></p> 	<p><b>B</b></p> 	<p><b>C</b></p> 	<p><b>D</b></p> 
<p>Side Frame 2 PCS</p>	<p>Top Rail 2 PCS</p>	<p>Bottom Rail 2 PCS</p>	<p>Cushion 1 PC</p>

# HARDWARE LIST

<p><b>#1</b></p>  <p>1/4" x 1/2"</p>	<p><b>#2</b></p>  <p>1/4" x 5/8"</p>	<p><b>#3</b></p> 
<p>Sunk Bolt 16 PCS (Extra 1)</p>	<p>Bolt 4 PCS (Extra 1)</p>	<p>Allen Wrench 1 PC</p>

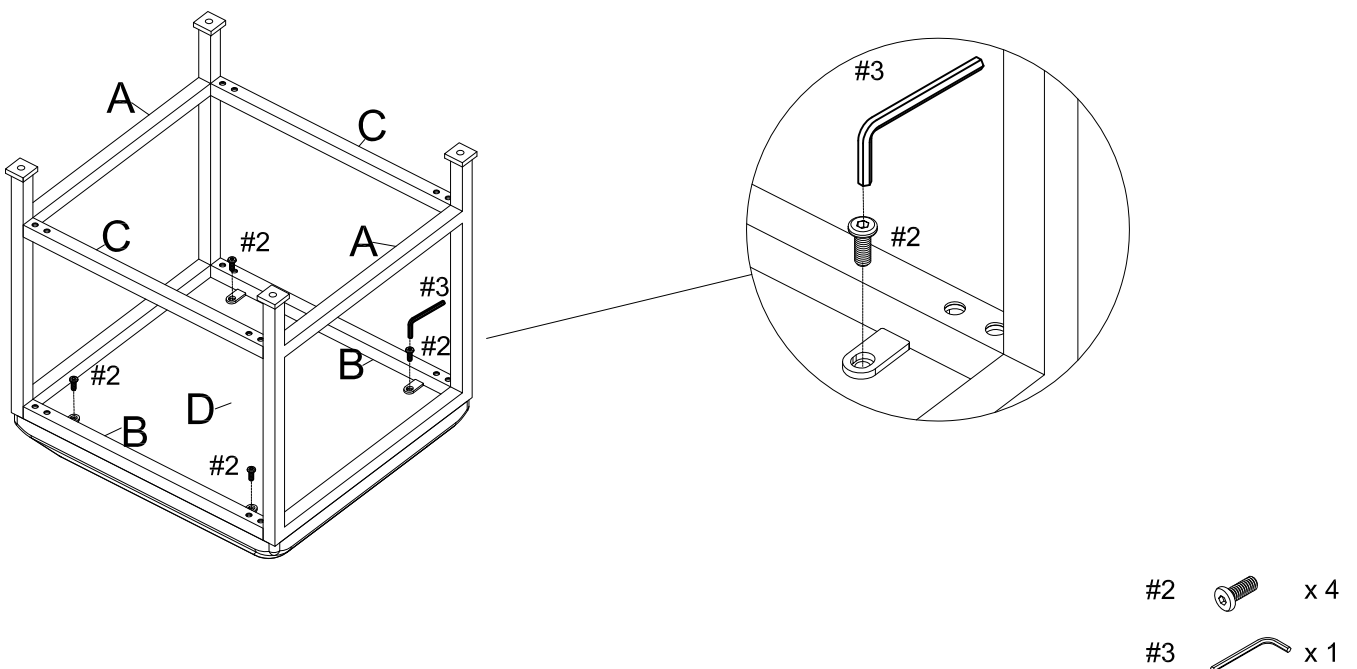
Step 1. Insert top rails (part B) and bottom rails (part C) into side frames (part A) using sunk bolts (part #1) and allen wrench (part #3).

Note: Please fully tighten bolts at this time.



Step 2. Carefully lay cushion (part D) upside down on a flat, soft surface, such as carpet. Attach assembled unit (parts A, B & C) to cushion (part D) using bolts (part #2) and allen wrench (part #3).

Note: Please fully tighten bolts at this time.



**Step 3. Carefully turn unit upright.**

**Note:** It is important to adjust levelers once fully assembled and upright.

Extend adjustable levelers until it's firmly in contact with the floor. If relocating, adjust leveler as needed until it's firmly in contact with the floor in new location.

