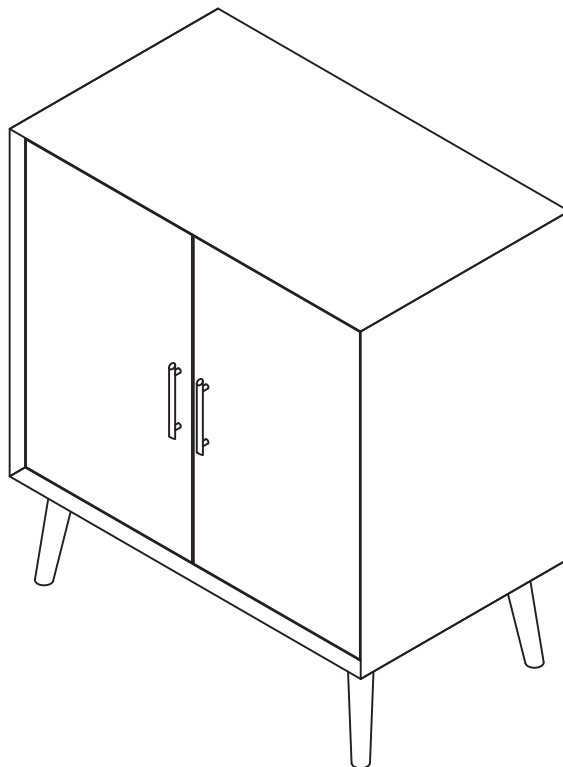
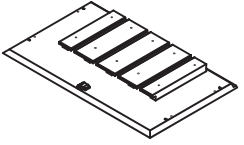
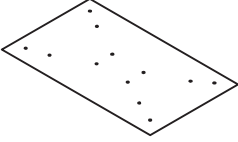
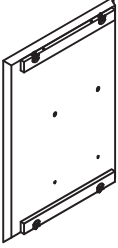
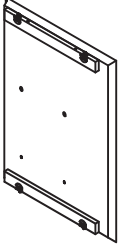
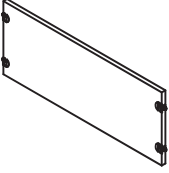
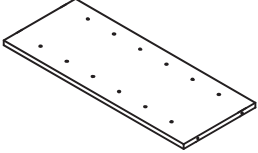
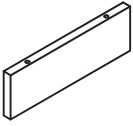
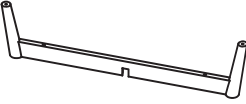

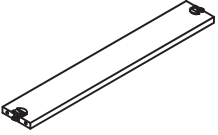
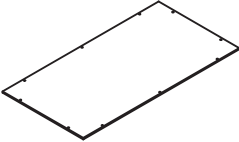
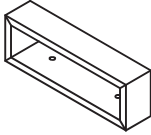
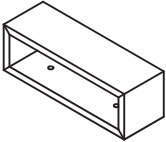
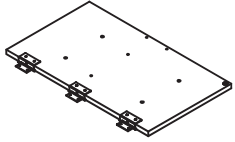
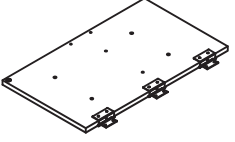
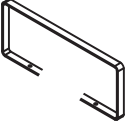


CROSLEY
FURNITURE

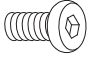
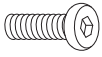
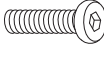
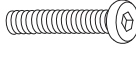




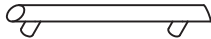

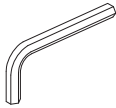

Bar Cabinet
CF4403



PART LIST

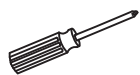
<p>A2</p> 	<p>B2</p> 	<p>C2</p> 	<p>D2</p> 	<p>E2</p> 
<p>Top Panel 1 PC</p>	<p>Bottom Panel 1 PC</p>	<p>Left Side Panel 1 PC</p>	<p>Right Side Panel 1 PC</p>	<p>Top Shelf 1 PC</p>
<p>F2</p> 	<p>G2</p> 	<p>H</p> 	<p>I</p> 	<p>J2</p> 
<p>Bottom Shelf 1 PC</p>	<p>Bottom Partition Panel 6 PCS</p>	<p>Front Leg Frame 1 PC</p>	<p>Back Leg Frame 1 PC</p>	<p>Back Connecting Rail 1 PC</p>
<p>K2</p> 	<p>L</p> 	<p>M</p> 	<p>N2</p> 	<p>O2</p> 
<p>Back Panel 2 PCS</p>	<p>Top Storage Box 2 PCS</p>	<p>Bottom Storage Box 2 PCS</p>	<p>Left Door Panel 1 PC</p>	<p>Right Door Panel 1 PC</p>
<p>P</p>  <p>Metal Frame 2 PCS</p>				

HARDWARE LIST

<p>#1</p> 	<p>#2</p> 	<p>#3</p> 	<p>#4</p> 	<p>#5</p>  <p>Ø6 x 30</p>
<p>Bolt 4 PCS (Extra 1)</p>	<p>Short Bolt 8 PCS (Extra 1)</p>	<p>Medium Bolt 4 PCS (Extra 1)</p>	<p>Long Bolt 4 PCS (Extra 1)</p>	<p>Small Wood Dowel 32 PCS (Extra 1)</p>
<p>#6</p>  <p>Ø8 x 30</p>	<p>#7</p> 	<p>#8</p> 	<p>#9</p> 	<p>#10</p> 
<p>Large Wood Dowel 12 PCS (Extra 1)</p>	<p>Small Screw 20 PCS (Extra 1)</p>	<p>Round Head Bolt 4 PCS</p>	<p>Handle 2 PCS</p>	<p>Large Screw 12 PCS (Extra 1)</p>
<p>#11</p>  <p>M4</p>	<p>#12</p> 			
<p>Allen Wrench 1PC</p>	<p>Safety Strap Kit 1 PC</p>			

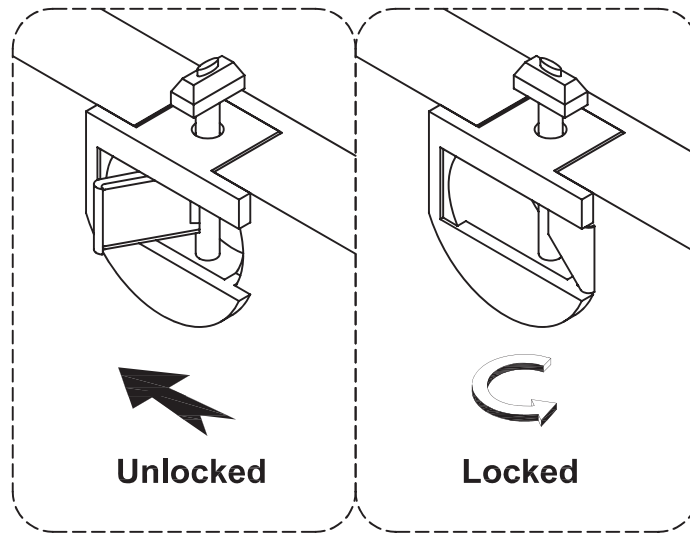
ADDITIONAL TOOLS (Not Provided)

Note: It is not recommended to use power tools during assembly.



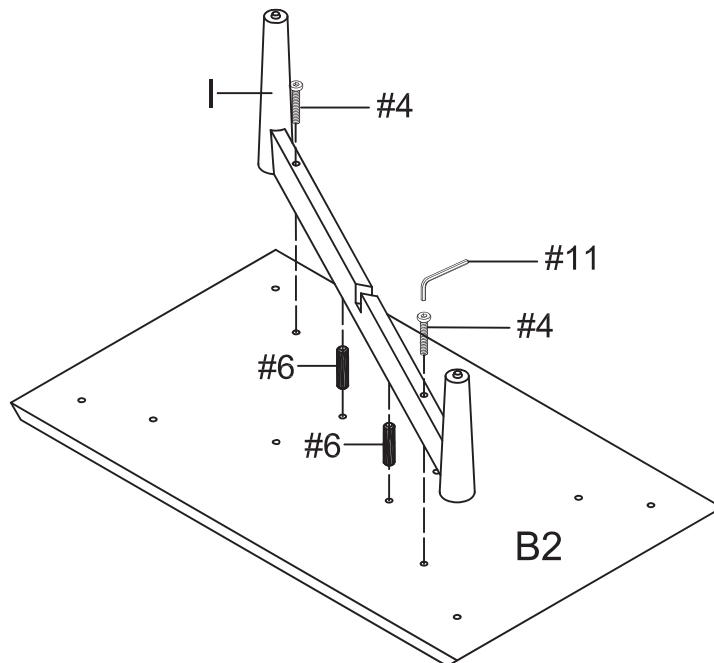
Phillips Head Screwdriver




Please do not use tools to assemble this unit unless specifically indicated.



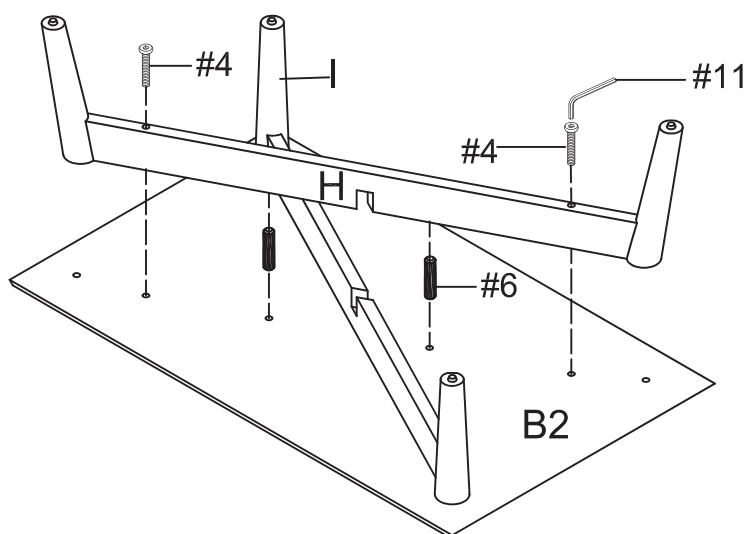
Reference the images above any time the instructions state "lock the hardware".
Note: Be sure to check all hardware is locked when completed.

Step 1. Lay bottom panel (part B2) upside down on a soft surface, such as carpet, as shown below. Attach back leg frame (part I) to bottom panel (part B2) using long bolts (part #4), large wood dowels (part #6) and allen wrench (part #11).



- #4  x 2
- #6  x 2
- #11  x 1

Step 2. Attach front leg frame (part H) to bottom panel (part B2) using long bolts (part #4), large wood dowels (part #6) and allen wrench (part #11).

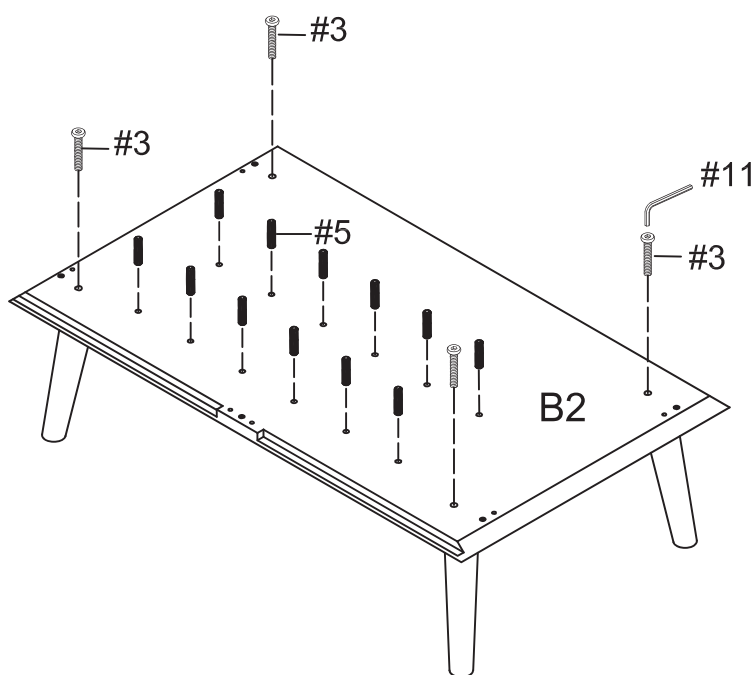


#4  x 2

#6  x 2

#11  x 1

Step 3. Carefully turn assembled unit (parts B2, H & I) upright. Secure front leg frame (part H) and back leg frame (part I) to bottom panel (part B2) using medium bolts (part #3) and allen wrench (part #11). Insert small wood dowels (part #5) into bottom panel (part B2).

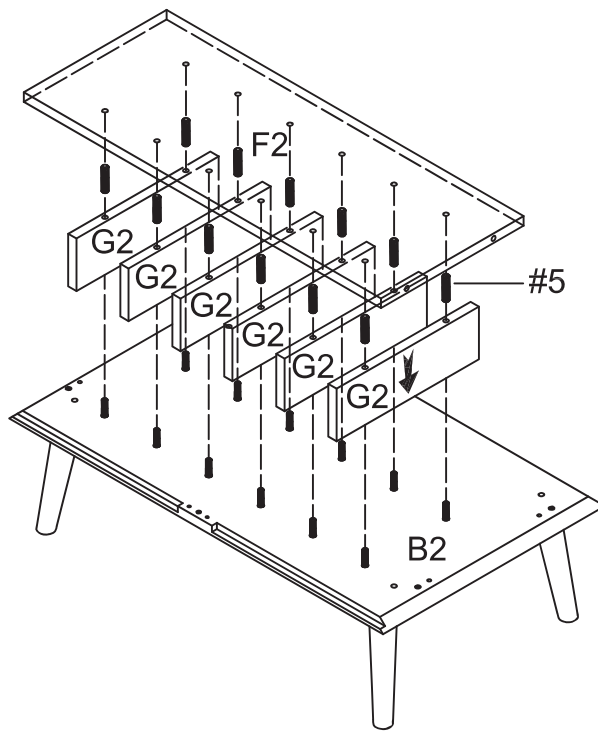


#3  x 4

#5  x 12

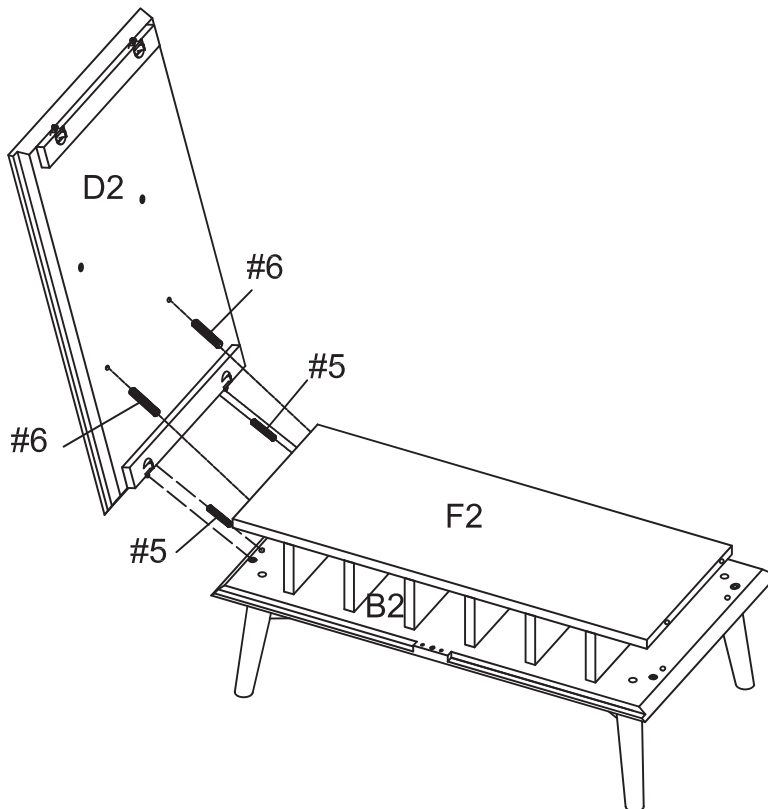
#11  x 1

Step 4. Attach bottom partition panels (part G2) to bottom panel (part B2) and bottom shelf (part F2) using small wood dowels (part #5).



#5  x 12

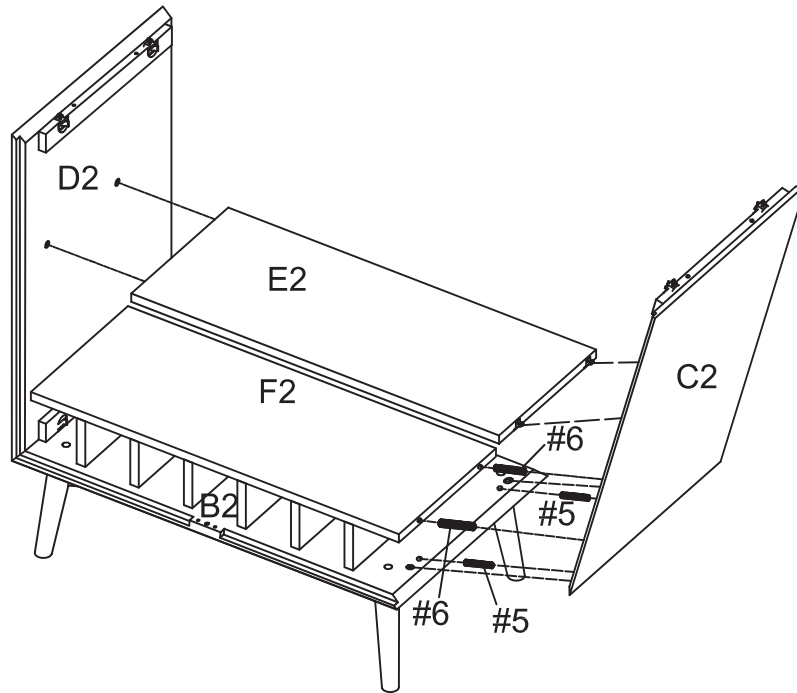
Step 5. Attach right side panel (part D2) to bottom panel (part B2) and bottom shelf (part F2) using small wood dowels (part #5), large wood dowels (part #6) and lock the hardware.



#5  x 2

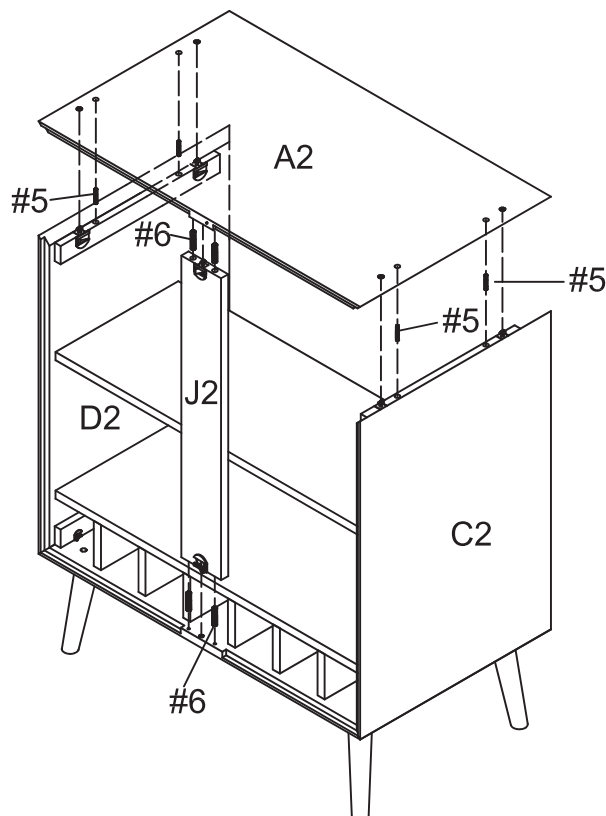
#6  x 2



Step 6. Attach top shelf (part E2) to right side panel (part D2) by locking the hardware. Attach left side panel (part C2) to bottom panel (part B2), top shelf (part E2) and bottom shelf (part F2) using small wood dowels (part #5), large wood dowels (part #6) and lock the hardware.



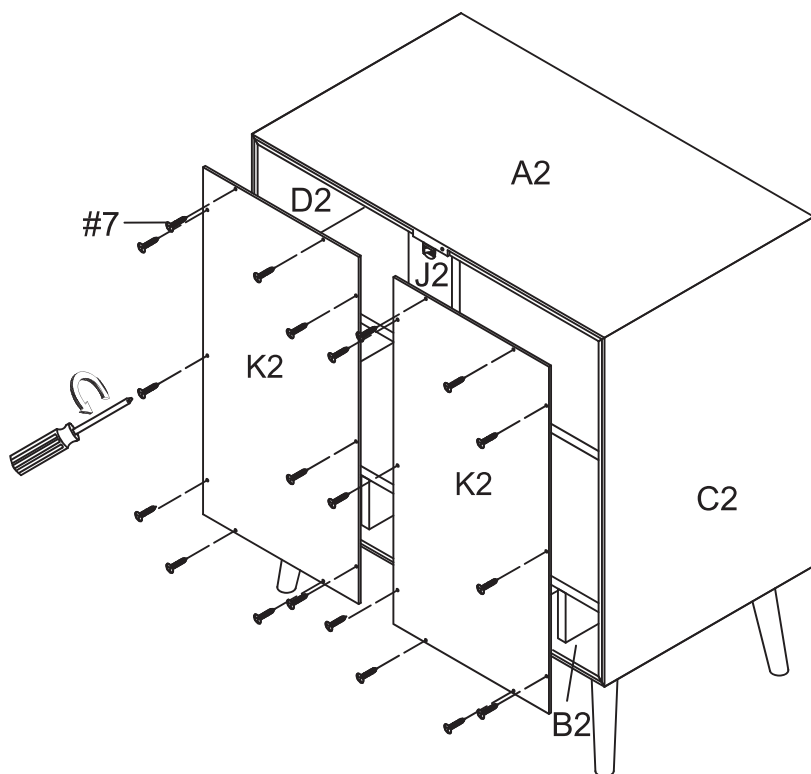
#5  x 2
 #6  x 2

Step 7. Attach back connecting rail (part J2) to bottom panel (part B2) using large wood dowels (part #6) and lock the hardware. Attach top panel (part A2) to assembled unit (parts C2, D2 & J2) using small wood dowels (part #5), large wood dowels (part #6) and lock the hardware.



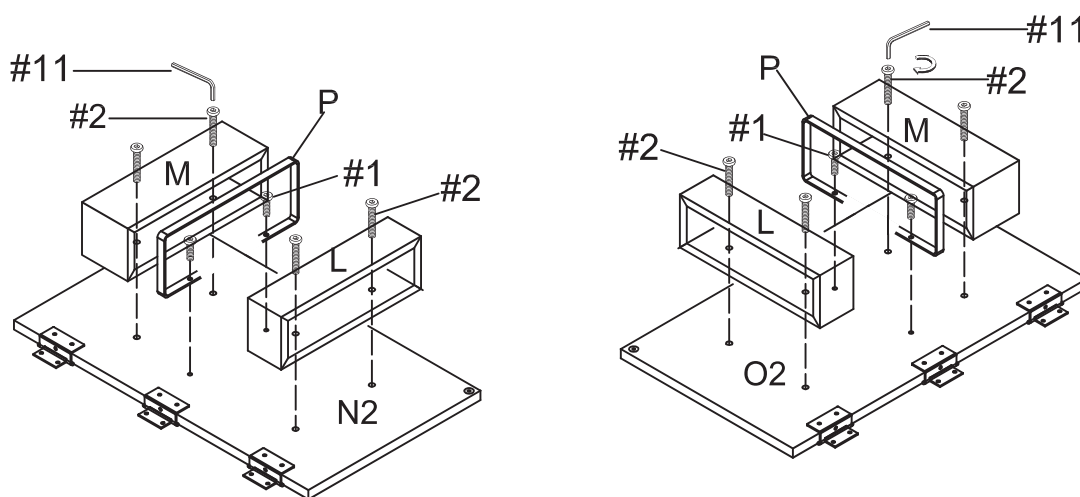
#5  x 4
 #6  x 4

Step 8. Attach back panels (part K2) to assembled unit (parts A2, B2, C2, D2 & J2) using small screws (part #7) and phillips head screwdriver.



#7  x 20

Step 9. Attach top storage boxes (part L) and bottom storage boxes (part M) to left door panel (part N2) and right door panel (part O2) using short bolts (part #2) and allen wrench (part #11). Attach metal frames (part P) to left door panel (part N2) and right door panel (part O2) using bolts (part #1) and allen wrench (part #11).

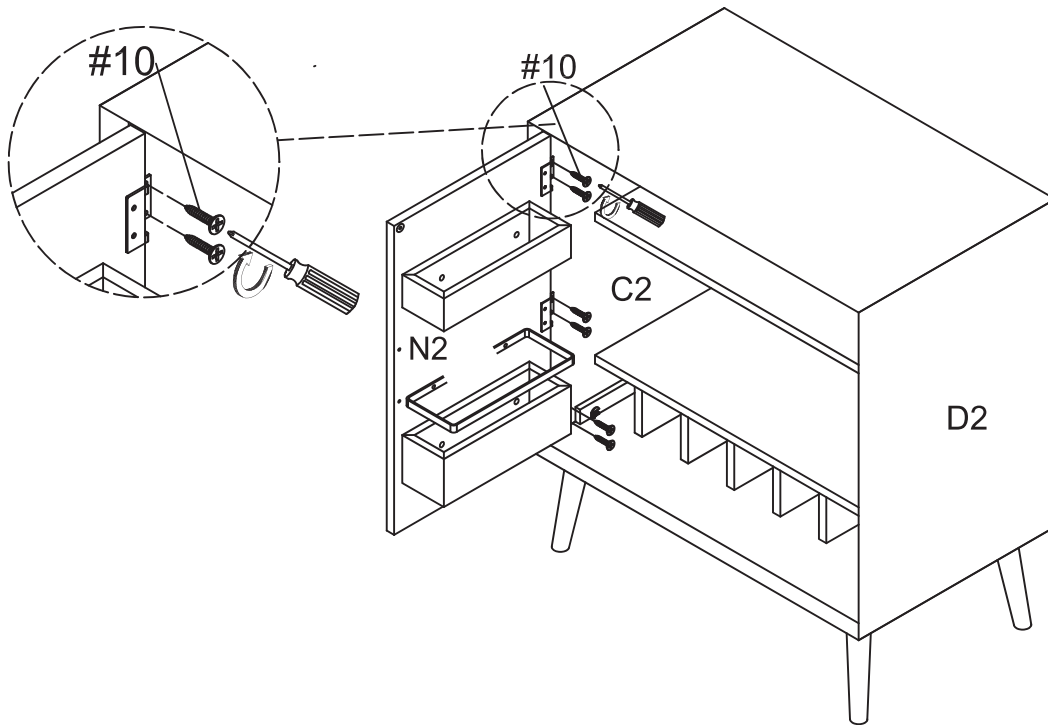


#1  x 4

#2  x 8

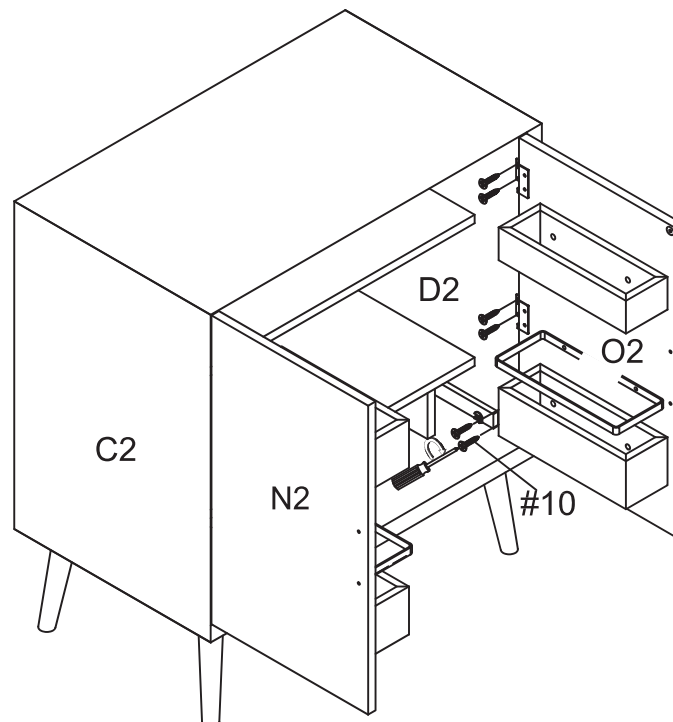
#11  x 1

Step 10. Attach left door panel (part N2) to left side panel (part C2) using hinges (pre-installed), large screws (part #10) and phillips head screwdriver.



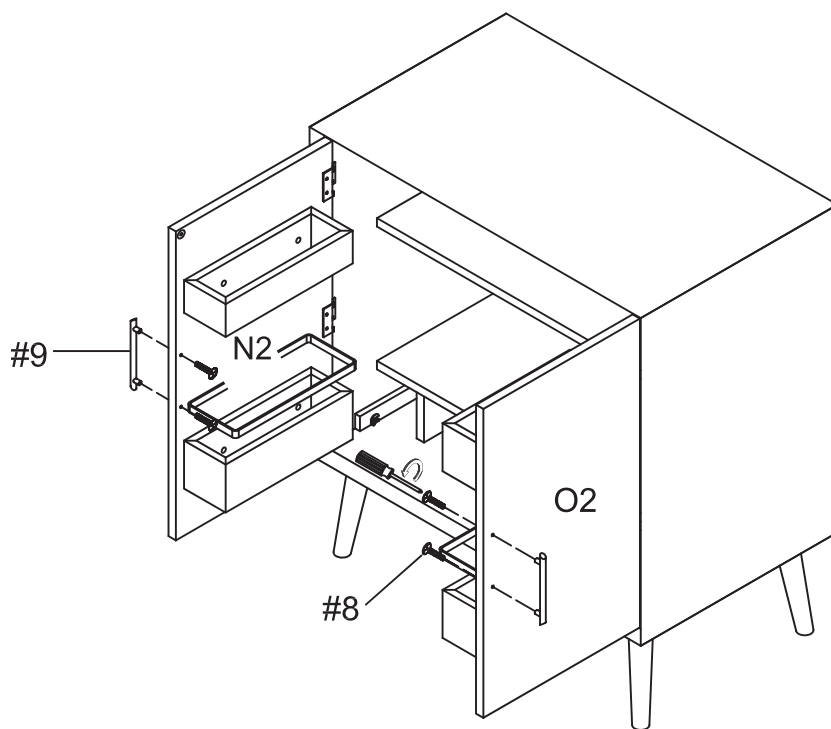
#10  x 6

Step 11. Attach right door panel (part O2) to right side panel (part D2) using hinges (pre-installed), large screws (part #10) and phillips head screwdriver.



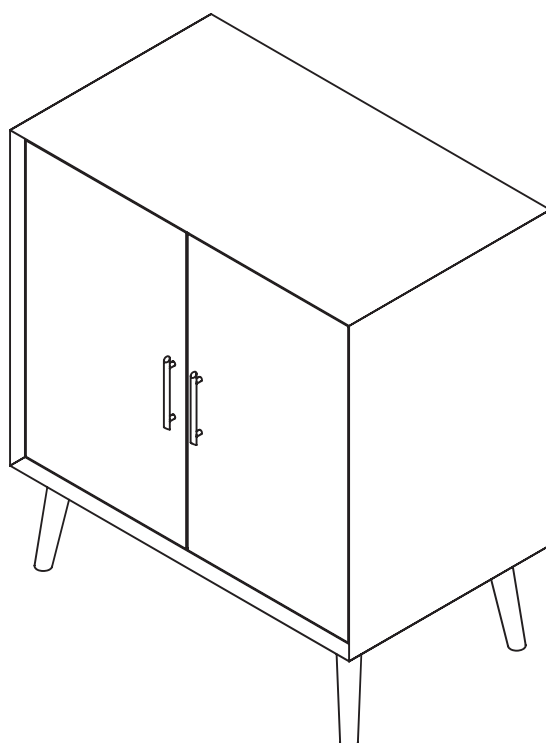
#10  x 6


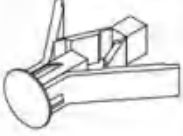



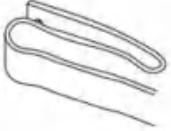
Step 12. Attach handles (part #9) to left door panel (part N2) and right door panel (part O2) using round head bolts (part #8) and phillips head screwdriver.



#8  x 4

#9  x 2



#12	A	B	C	D	E
			 D8 x 3/4"	 D8 x 1-1/2"	
Safety Strap Kit 1 PC	Wall Anchor 1 PC	Washer 2 PCS	Short Screw 1 PC	Long Screw 1 PC	Safety Wall Strap 1 PC

SAFETY WALL STRAP INSTALLATION

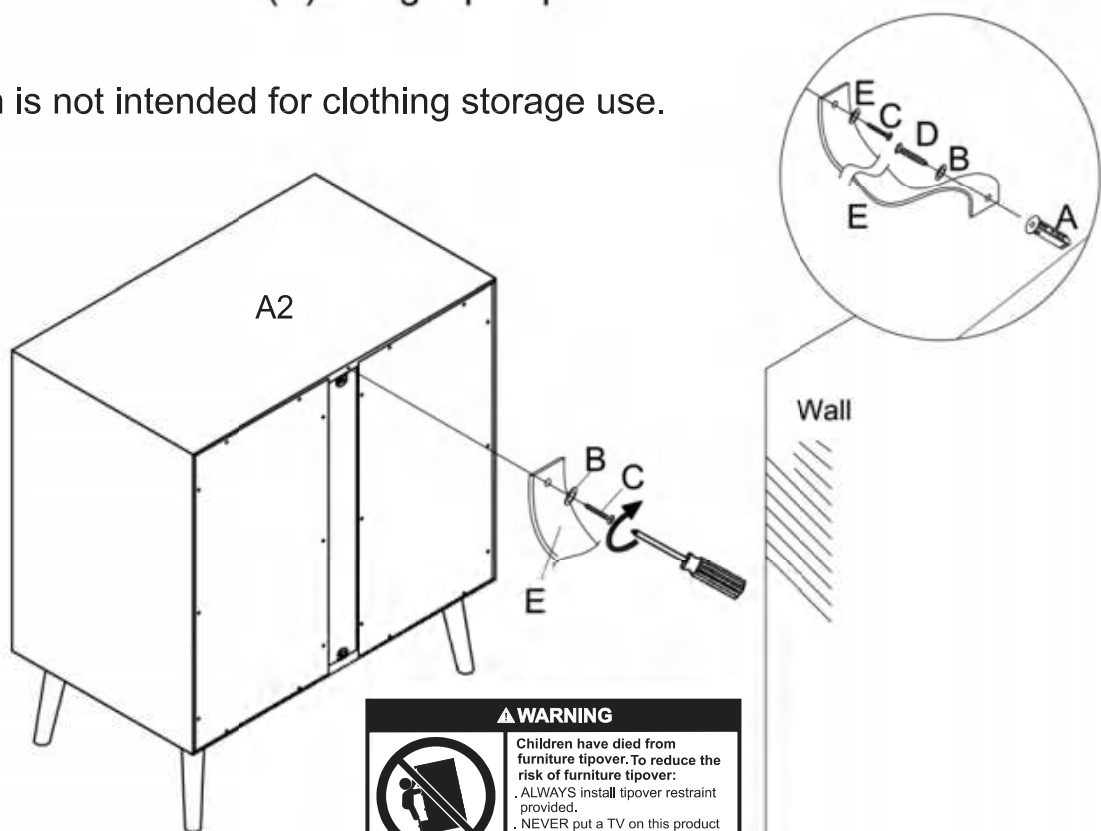
Note: It is highly recommended to install this safety strap kit to prevent tipping, damage and/or injury.

1. Insert short screw (C) through washer (B) and safety wall strap (E) and attach to back of top panel (part A2) using phillips head screwdriver.

2. Drill a 11/32"(6mm) hole where you want to secure the unit. The drilled hole will be at the same height as the hole in back of top panel (part A2) where safety wall strap (E) is attached. Tap wall anchor (A) into the hole.

3. Insert long screw (D) through washer (B) and safety wall strap (E) into wall anchor (A) using a phillips head screwdriver.

Note: This item is not intended for clothing storage use.



⚠ WARNING

Children have died from furniture tipover. To reduce the risk of furniture tipover:

- ALWAYS install tipover restraint provided.
- NEVER put a TV on this product
- NEVER allow children to stand, climb or hang on drawers, doors, or shelves.
- NEVER open more than one drawer at a time.
- Place heaviest items in the lowest drawers.

This is a permanent label. Do not remove!