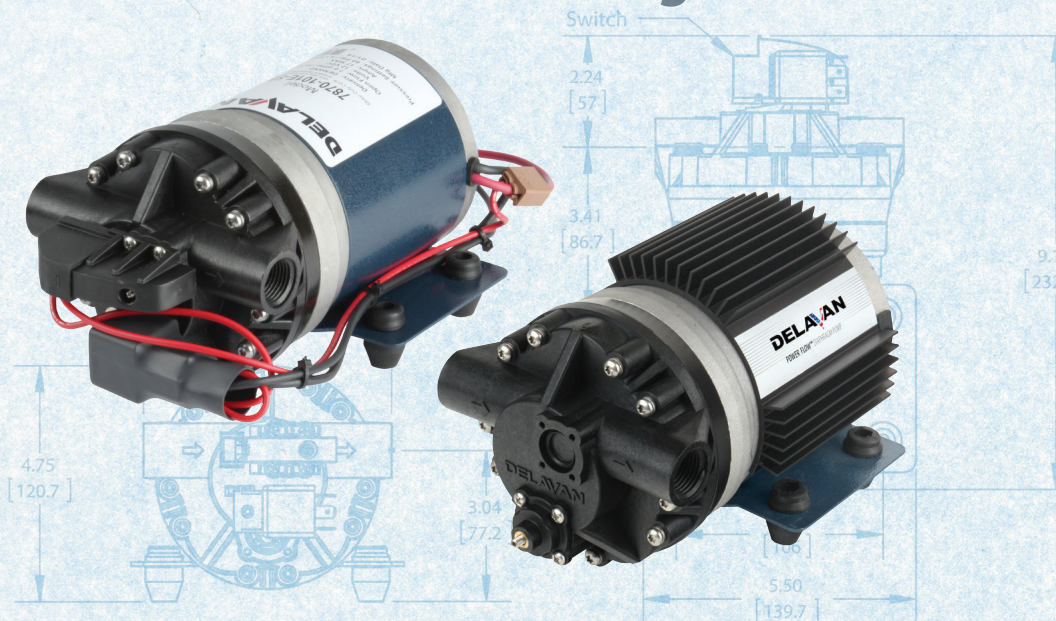


# Diaphragm Pumps

## Engineered for Excellence



### FB3 Series—Heavy Duty 7.0 GPM Diaphragm Pump

**Pump Type:** Bypass, Demand

**Flow:** Up to 7 GPM

**Pressure:** Up to 100 PSI

**Valves:** Viton

**Diaphragm:** Santoprene

**Ports:** ½" FNPT, ¾" Quick Attach

**Power:** 12V – Wire Leads with 2-pin molded connector

**Weight:** 8 lbs

**Packaging:** Bulk Box, Retail Box

**Shipping:** 6 per carton, single

- 100% Factory tested
- Heavy Duty Reinforced Diaphragm for longer life
- High Torque Motor for superior flow at pressure
- Self-Priming
- Can be run dry





## Performance Specifications

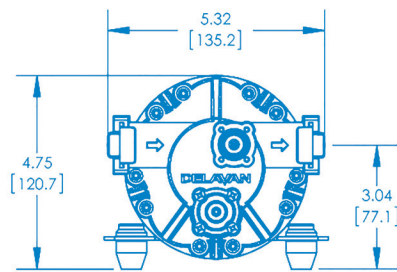
**FB3 7.0 GPM Bypass**

PSI	GPM	AMPS
0	7.2	13
10	6.6	15.1
20	6.2	17.4
40	5.4	20.1
60	4.3	23.3
80	3.4	26.7
90	2.7	29.2

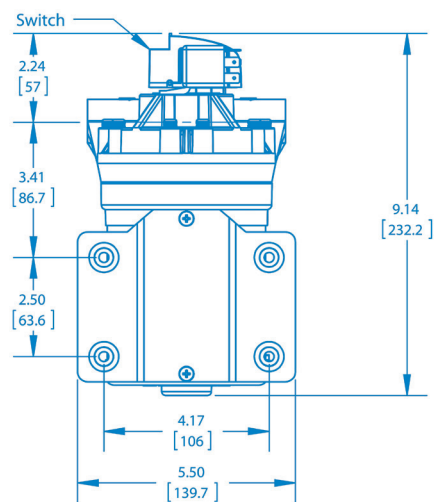
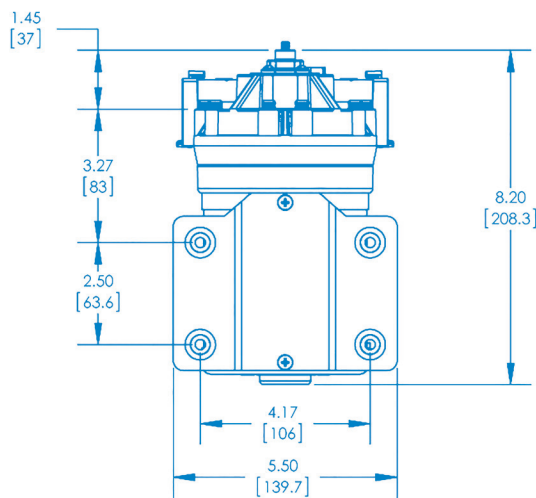
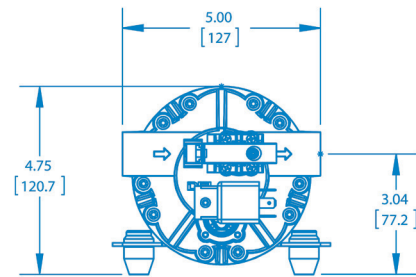
**FB3 7.0 GPM Demand**

PSI	GPM	AMPS
0	7.2	13
10	6.6	15.1
20	6.2	17.4
40	5.4	20.1
60	4.6	23.3
80	4.1	26.7
90	3.8	29.2

**Bypass**



**Demand**



## Engineered for Excellence

*"We are committed to succeeding in today's increasingly challenging marketplace by responding to each varied and dynamic individual customer requirement with an exclusive and custom tailored solution."*