



# DK2 SNOW PLOW

RAMP8219 • RAMP8219ELT • STOR8422 • STOR8422ELT • SUMM8826 • SUMM8826ELT

## INSTRUCTION MANUAL MANUEL FRANÇAIS AU VERSO

CALL 1-888-277-6960 TO ORDER YOUR CUSTOM VEHICLE MOUNT



### STOP

Questions, problems, missing parts? Do not return to your retailer. Please call our customer service department at 1-888-277-6960. Our customer service staff are ready to provide assistance. If a part is damaged or missing, replacement parts can be shipped from our facility. For immediate help with assembly, or for additional product information, call our North American toll-free number at 1-888-277-6960.

### SAVE THIS MANUAL

You will need this manual for safety instructions, operating procedures, and warranty. Put it and the original sales invoice in a safe, dry place for future reference.

#### DK2 USA WEST

4301 S VALLEY VIEW BLVD.  
SUITE 10-11 LAS VEGAS, NEVADA  
89103 USA

#### DK2 CORPORATE HEAD OFFICE

5330 MAINWAY  
BURLINGTON, ONTARIO  
L7L6A4 CANADA

#### DK2 USA EAST

3750 SOUTH AVENUE,  
NORTH UNIT TOLEDO, OHIO  
43615 USA

CUSTOMER SERVICE 1-888-277-6960 | WWW.DETAILK2.COM

# TABLE OF CONTENTS

ENGLISH

Thank You For Purchasing A DK2 Plow! .....	En.2
Important Safe Operating Practices .....	En.2
California Proposition 65 .....	En.3
General.....	En.3
Personal Safety .....	En.3
Snow Plow.....	En.4
Vehicle .....	En.4
Important Safe Operating Practices .....	En.4
Driving .....	En.5
Preparation .....	En.5
Operating Safety.....	En.6
Specifications .....	En.7
Vehicle Requirements.....	En.7
Standard Plow Functional Description.....	En.8
Elite Series Plow Functional Description .....	En.9
Snowplow Assembly.....	En.10
Elite Series Actuator Assembly.....	En.12
Electrical Installation.....	En.13
Winch / Actuator Wiring Diagram.....	En.14
Operation.....	En.15
Plowing Instructions.....	En.15
Operating Procedures .....	En.15
Detaching the Snowplow.....	En.18
Troubleshooting.....	En.18
Operation.....	En.18
Maintenance .....	En.19
Pre-Season Vehicle Maintenance .....	En.19
Warranty .....	En.20
Standard Plow Parts List .....	En.22
Standard Plow Schematic Drawing .....	En.23
Elite Series Plow Parts List.....	En.24
Elite Series Plow Schematic drawing.....	En.25

## THANK YOU FOR PURCHASING A DK2 PLOW!

This snowplow is designed for residential snow removal. Please remember to use the right tool for the job at hand. Avoid overtaxing your snowplow. Take care using it to clear thick, heavy (wet) snow.

Your DK2 snowplow not intended to clear the snow deposits created by large municipal or commercial snowplows, which contain heavy compacted, frozen lumps of snow and ice, and could damage the plow and vehicle.

If you have any questions or problems with your Detail K2 snowplow, including set-up difficulties, broken or missing parts, etc.), do not return product to the store. Please call our toll-free service line at 1(888) 277-6960 to speak to a technician. Detail K2 Inc., 1080 Clay Avenue Unit #2, Burlington, Ontario, L7L 0A1 Canada We reserve the right to change product design and specifications without notice or obligation.

# IMPORTANT SAFE OPERATING PRACTICES



**IMPORTANT:** Read safety rules and instructions carefully before operating this equipment.



**CAUTION: SAFETY FIRST**— Read this manual carefully before operating your snowplow. We recommend that you read this manual completely so that you are fully aware of all important safety recommendations. Record your serial number.



**DANGER:** This equipment was built to be operated according to the rules for safe operation in this manual. As with any type of power equipment, carelessness or error on the part of the operator can result in serious injury. This machine is capable of amputating hands and feet. Failure to observe the following safety instructions could result in serious injury or death.

To use this equipment properly, you must observe the safety regulations, the assembly instructions and the operating instructions to be found in this manual. All persons who use and service the snowplow must be informed about its potential hazards and must be acquainted with this manual. Children should be supervised at all times if they are in the area in which the snowplow is being used. It is also imperative that you observe the accident prevention regulations in force in your area. The same applies for general rules of occupational health and safety.

## CALIFORNIA PROPOSITION 65

**WARNING:** This product can expose you to chemicals including DEHP, which is known to the State of California to cause cancer and birth defects or other reproductive harm. For more information go to [www.P65Warnings.ca.gov](http://www.P65Warnings.ca.gov).

## GENERAL

1. Read your owner's manual carefully. Get to know your snowplow and familiarize yourself with its applications and limitations.
2. Use the snowplow according to the guidelines in this manual. Do not abuse it or force it to do a job for which it was not designed.
3. Use only original equipment parts and accessories. Consult the owner's manual. The use of incorrect accessories may produce unforeseen hazards.



**WARNING:** Make no attempt to assemble and operate the snowplow until you have thoroughly read this manual and completely understood its contents. Operating your DK2 snowplow improperly can result in serious personal injury and/or damage to both plow and vehicle. Since Detail K2 Inc. does not complete its assembly or installation, we cannot be held responsible for any personal injury or damages that product misuse may produce.

## PERSONAL SAFETY

1. For safety, keep children and pets at a distance from the plow and the operating area.



**DANGER!** Sitting or riding on the snowplow is extremely dangerous. This could inflict serious injury.



**WARNING!** Never stand between the vehicle and the blade nor stand within 3 m (10 feet) of a blade in motion. Moving or falling blades can cause serious personal harm.

# IMPORTANT SAFE OPERATING PRACTICES

ENGLISH

**WARNING!** *At all times, keep your hands and feet clear of the blade and winch.*



2. Make it a practice to completely lower the blade to the ground every time the vehicle is parked. A raised blade may drop unexpectedly and this can result in serious personal injury.

**WARNING!** *When mounting or removing the snowplow, keep hands and feet clear of the blade, mounting assembly and winch. Moving or falling assemblies have a potential to cause personal injury. Never use your finger to check alignment. Moving or falling assemblies could crush your finger.*



**CAUTION:** *Transport speed should never exceed 70 km/h (45 mph). Adverse travel conditions may dictate a further speed reduction. Must use appropriate driving lights*



3. Wear a seat belt when plowing snow. Hidden obstacles could make the vehicle stop suddenly, resulting in personal injury.
4. Put the vehicle in park or into gear and remove the ignition key to prevent others from starting the vehicle when installing or servicing the plow.
5. Dress properly. Do not wear loose clothing or jewellery. Keep your hair, clothing, and gloves away from moving parts. Loose clothes, jewellery or long hair can be caught in moving parts. For warmth, wear layers of clothing, taking off layers as you get warmer.
6. Wear safety goggles when working under the hood of the vehicle. for eye protection from battery acid, gasoline, dirt and dust. Everyday eyeglasses have only impact resistance lenses. They are not safety glasses.
7. For work connected with the vehicle, avoid touching any hot surfaces such as the engine, radiator, hoses and exhaust pipes.
8. Always have a fire extinguisher, rated BC, handy for flammable liquid and electrical fires.
9. Do not plow snow with your head out the window. Sudden stops or protruding obstacles could result in personal injury.
10. The driver only should be in the vehicle when plowing snow.

## SNOW PLOW

1. Maintain the snowplow and keep it clean and lubricated. This applies even when the unit is not in use so as to avoid corrosion. In the off season, inspect the unit and apply corrosion-resistant paint to any areas that show corrosion to prevent further damage. If stored outside, cover the winch assembly.
2. Carefully inspect your snowplow before every use. Particularly check the alignment of moving parts and tighten any loose screws and bolts.
3. This unit is not intended for commercial use.

**WARNING!** *Carefully inspect all snowplow components and bolts for looseness, wear and damage when mounting or removing the unit and before transporting it.*



4. With heavier full-sized vehicles, mainly through momentum, it may be easier to damage the plow assembly. Cautious use will help extend your years of trouble-free service.

## VEHICLE

5. Do not attempt plowing snow at speeds above 15 km/h (10 mph). Driving at speeds above 15 km/h (10 mph) with the plow attached reduces the cool air intake and may cause your vehicle engine to overheat.

# IMPORTANT SAFE OPERATING PRACTICES

6. Do not overload the vehicle. Take into account the loaded vehicle weight, including the entire snowplow assembly, all accessories, driver and passenger, fluids, and cargo. This weight is not to exceed the front/rear Gross Axle Weight Rating (GAWR), and total Gross Vehicle Weight Rating (GVWR). The specific ratings for your vehicle are noted on the safety compliance certification label attached to the driver's side door opening. Rear ballast weight may be necessary to prevent exceeding the front GAWR.



**CAUTION:** *The installation of a snowplow may have a bearing on the warranty for your vehicle. For more information, please carefully consult your vehicle's owner's manual or your vehicle dealer.*

7. The sudden jarring stop incurred when hitting hidden obstacles in the snow could trigger release of your vehicle's airbags. Consult your vehicle manual or your vehicle dealer to mitigate this.
8. Should it become necessary to place the vehicle on a hoist, first remove the blade assembly.

## DRIVING



**CAUTION:** *Always be certain the quick-mount locking plates on your custom front mount are secured. If the plow is insecurely attached to the mount, it will likely pull away from the vehicle, fall off and cause significant damage and/or injury.*

1. The use of lights is recommended, if not required by local regulations, while plowing at night. Regular vehicle headlights will likely be obscured by the blade.
2. Do not drive on public roads with the snowplow attached at the front of your vehicle.
3. Connect a safety hook when transporting the snowplow in the raised position.
4. Do not attempt to change the blade position while traveling as you could accidentally suddenly lower the plow blade.



**WARNING!** *Consult local/ provincial laws regarding vehicle restrictions that might apply when the snowplow is not attached. Such restrictions may mandate the removal of the mounting, lift frame, lift arm, winch mechanism or any other protruding elements mounted to the front of the vehicle during certain times of the year.*

## PREPARATION

**NOTE:** *Apply waterproof grease to all moving parts and assemblies*

1. Thoroughly inspect the area where the equipment is to be used. Make yourself familiar with the terrain you are plowing and avoid all obstacles.
2. Remove all foreign objects such as doormats, newspapers, sleds, boards, wires, and other items.
3. Before use, ensure that the plow is attached to your custom front mount and safely secure the quick mount locking plates.
4. Stay away from any obstacles. Familiarize yourself with the area and potential difficulties before plowing.
5. Never attempt to make any adjustments while vehicle is running, except where specifically recommended in the operator's manual(s).
6. Exercise caution when changing direction and while operating on slopes.
7. During continuous snowfalls, plow as snow builds to between 8 and 15 cm (3 and 6").
8. Plan your snow plowing pattern to avoid discharge towards windows, walls, cars, etc., thus avoiding possible property damage or personal injury. Never direct discharge at children, bystanders, and pets nor allow anyone in front of the plow.

# IMPORTANT SAFE OPERATING PRACTICES

ENGLISH

## OPERATING SAFETY

1. Keep bystanders, helpers, pets and children at least 8 metres (25 feet) from the plow while it is in operation. Stop using it if anyone enters the area. Never allow children to operate it.
2. Never allow anyone to ride on the plow in operation. Sitting on it may lead to serious injury.
3. Do not overload plow capacity by attempting to clear snow at too fast a rate.
4. Never operate this machine without good visibility or light. Extra lighting is highly recommended and, depending on the jurisdiction, may be required on roadways for nighttime plowing.
5. Never operate the plow at high transport speeds over 16 km/h (10 mph). Above this speed, vehicle engine overheating may also occur.
6. Exercise caution, especially when operating in reverse.
7. Do not operate without wearing adequate winter outer garments. Do not wear jewelry, long scarves or other loose clothing which could become entangled in moving parts. Wear footwear which will improve footing on slippery surfaces.

**WARNING:** *Restrict the use of this plow to persons who read, understand and follow the warnings and instructions in this manual and on the machine.*



**WARNING:** *The warnings, cautions, and instructions detailed in this manual cannot cover all possible conditions and situations that occur. It must be understood by the operator that COMMON SENSE AND CAUTION ARE FACTORS that cannot be built into this product, but MUST BE SUPPLIED BY THE OPERATOR.*



**WARNING:** *DO NOT OPERATE this equipment until it has been assembled and set up according to the instructions in "Snowplow Assembly". Read and follow all safety rules within this Instruction Manual. Failure to do may result in serious personal injury.*





## SPECIFICATIONS

- Blade dimensions:
  - SUMM8826: 2.2 m wide x 66 cm high (88 inch x 26 inch)
  - STOR8422: 2.1 m wide x 56 cm high (84 inch x 22 inch)
  - RAMP8219 2.08 m wide x 48 cm high (82 inch x 19 inch)
- Fits most light trucks and SUVs
- Easy attachment: slides into your custom mount
- Electric winch or actuator with wired remote control for easy up and down snow control
- 3 locking angles: to either side or straight ahead
- Steel construction powder coated with UV-protected paint
- Castors allow attachment and removal in seconds, plus roll-away storage
- Comes with:
  - 3,000 lb. wireless winch or wireless actuator
  - hardened steel cutting edge
  - rubber snow deflector
  - polymer plow markers
  - skid shoes
- ISO 9001 certified manufacturer
- Assembled weight :
  - SUMM8826: 134.26 kg (296 lb.)
  - SUMM8826 ELT: 152.41 kg (336 lb.)
  - STOR8422: 128.37 kg (283 lb.)
  - STOR8422 ELT: 146.51 kg (323 lb.)
  - RAMP8219: 120.2 kg (265 lb.)
  - RAMP8219 ELT: 138.34 kg (305 lb.)
- 1 year warranty

## VEHICLE REQUIREMENTS



**WARNING!** Always inspect snowplow components, connections, and fasteners for wear or damage every time you attach or detach the snowplow. Worn or damaged components may allow the snowplow to fail without warning, resulting in serious injury or vehicle damage.

### VEHICLE RECOMMENDATIONS

The vehicle with the snowplow installed must comply with applicable motor vehicle safety standards and with the vehicle manufacturer's stated gross vehicle and axle weight ratings (found on the driver's side door corner post of the vehicle) as well as the front and rear weight distribution ratio. In some cases, rear ballast may be required to comply with these requirements. (See Ballast Requirements below.) The weights of front seat occupants can be adjusted above 136 kg (300 lb.), but the total vehicle weight with snowplow must not exceed vehicle GVWR or GAWR. Installation, modification and addition of accessories must comply with manufacturers' and regulators' published recommendations and instructions. Available capacity decreases as the vehicle is loaded with cargo or other truck equipment or as snowplow accessories are installed. If there is uncertainty as to whether available capacity exists, the actual vehicle as configured must be weighed.

### BALLAST REQUIREMENTS

Because of the front/rear axle weight ratio, ballast (additional weight) is important in qualifying vehicles for snowplow eligibility. Rear ballast must be used when necessary to remain in compliance with axle ratings and ratios as specified by the vehicle manufacturer.

Ballast, if required, must be retained correctly behind the rear axle, distributed evenly across the width of the vehicle. The weight of the ballast retainer should be considered part of the ballast weight. We recommend sand bags for ballast.

### INSTALLING A SNOWPLOW MOUNT TO YOUR VEHICLE

To install the custom mount for your DK2 snow plow you can reference the custom mount installation manual that is included with your custom front mount. For more information call DK2 at 1-888-277-6960 or visit us at [www.detailk2.com](http://www.detailk2.com).

# STANDARD PLOW FUNCTIONAL DESCRIPTION

ENGLISH

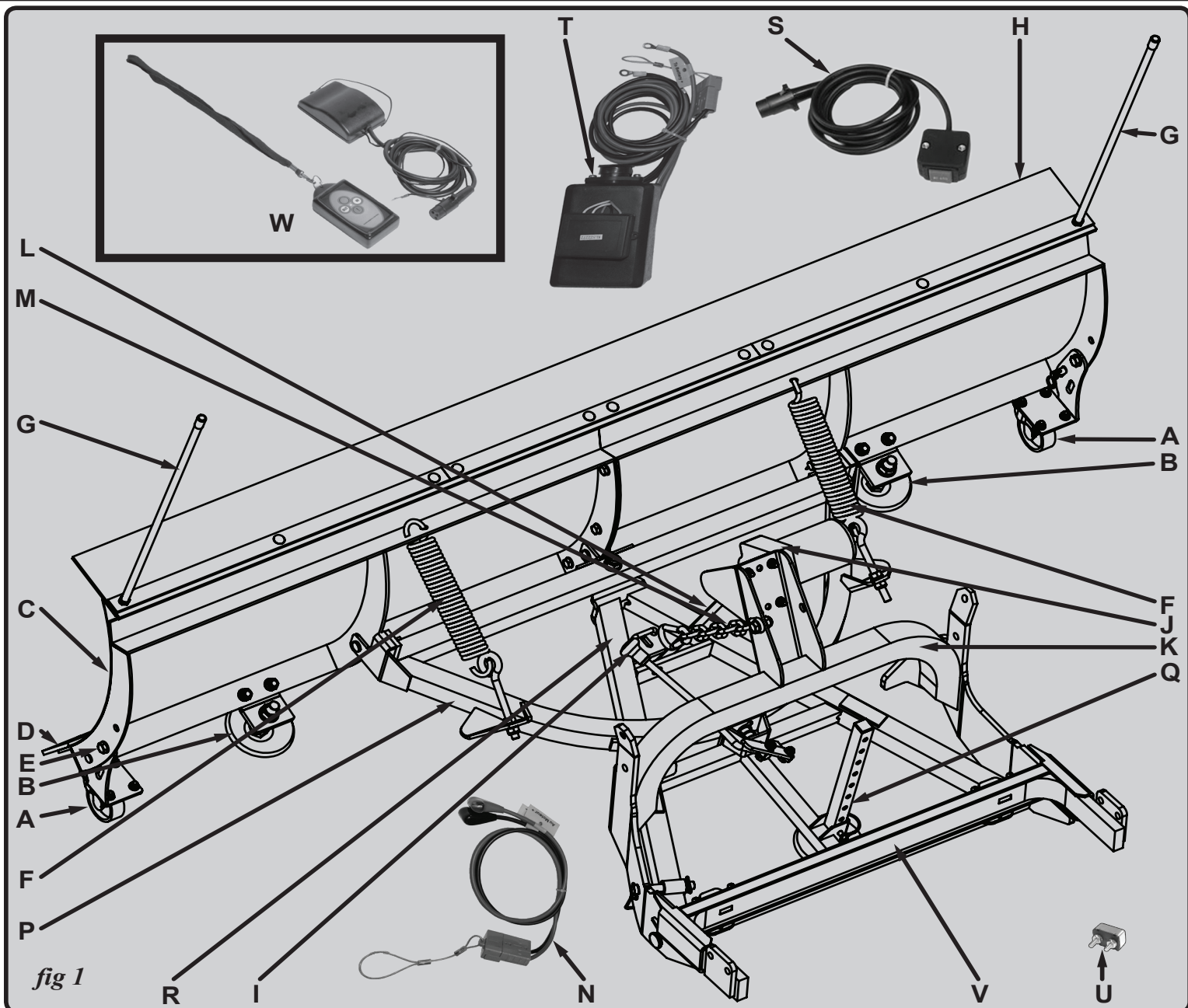


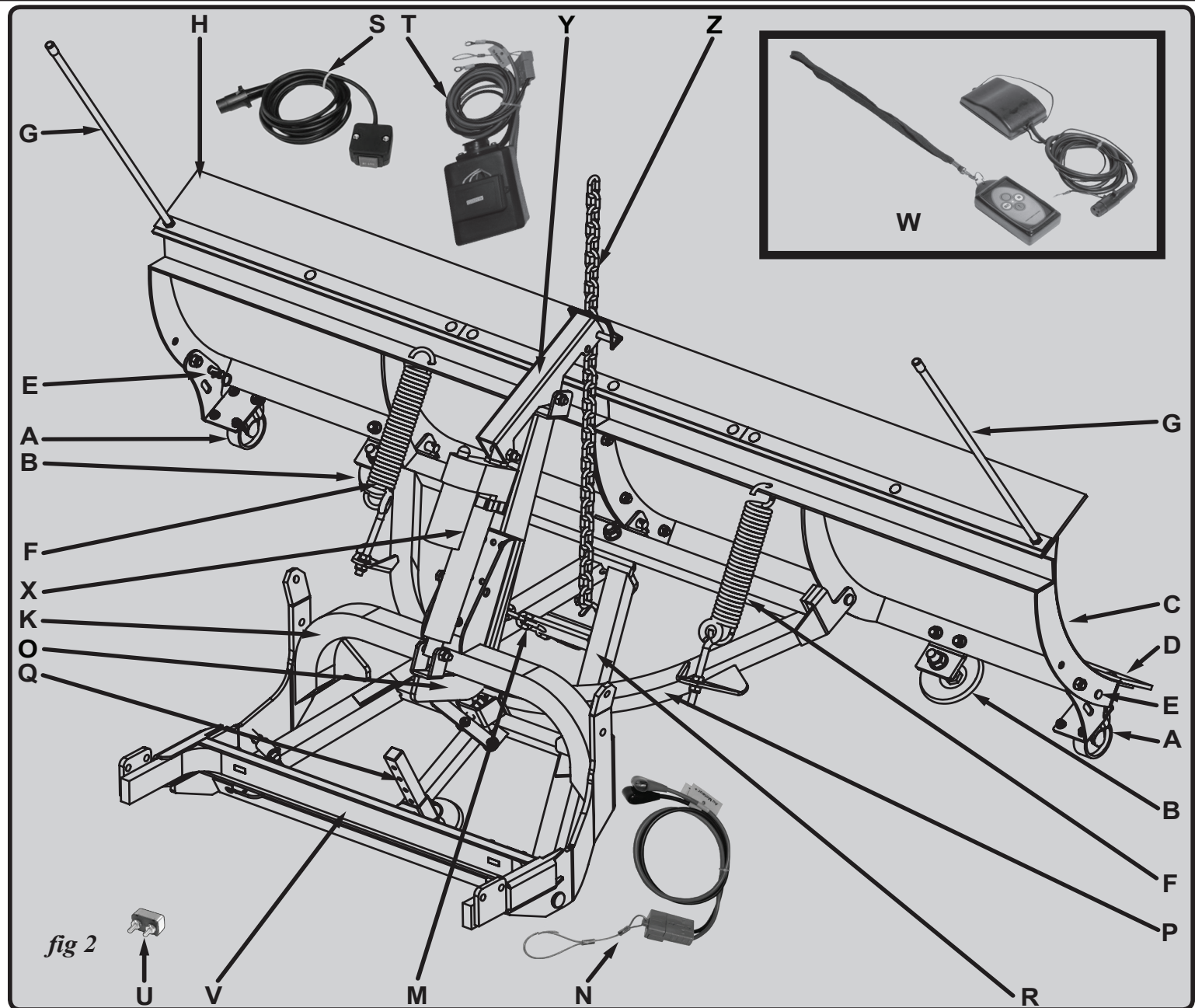
fig 1

I.D.	Name	Function
A	Fixed castor (2)	carries the weight of the plow during mounting, dismounting, and storage
B	Skid shoe (2)	holds the scraper edge at a set height during plowing
C	Blade	pushes and channels the snow away
D	Scraper	provides a hardened steel cutting edge for long life
E	Castor height adjustment pin	allows castors to be set at vehicle height for mounting /dismounting and retracted for plowing
F	Trip spring (2)	allows blade to trip forward when hitting obstructions, absorbing shock to plow, vehicle, and operator
G	Marker (2)	brightly coloured to locate the extreme outside corners of blade in blowing snow or low visibility
H	Rubber snow deflector	reduces snow blown over top of blade onto vehicle windshield
I	Blade angle locking handle	operates blade angle locking pin to allow blade to move between 22 and 38 degrees right or left, or straight across
J	Winch	raises and lowers the blade
K	Main frame	Holds the winch and connects to the a-frame and your custom mount
L	Winch strap	connects the winch to the A-frame



# ELITE SERIES PLOW FUNCTIONAL DESCRIPTION

ENGLISH



I.D.	Name	Function
M	Safety chain	holds the blade in raised position for transport
N	Wiring harness	carries power for winch
O	Actuator support bracket	(fig 2 only- part of optional actuator kit) mounts to the main frame and connects to the bottom of the actuator
P	D frame	carries the blade and holds its angle to direction of travel
Q	Back support	carries the weight of the plow during mounting, dismounting, and storage
R	A frame	main frame mounting plow to vehicle
S	Winch control switch with lead	operates the winch and therefore the plow, up and down from within the vehicle
T	Winch control box	supplies power to the winch as commanded by the winch control button
U	Circuit breaker	protects winch and vehicle electrical system
V	Cross member	connects the snow plow frame to the vehicle mounting brackets
W	Wireless Remote Conversion Kit	order as WR100
X	Electric actuator	(fig 2 only- part of optional actuator kit) raises and lowers the blade
Y	Actuator pivot arm	(fig 2 only- part of optional actuator kit) mounts to the top of the support bracket and the top of the actuator
Z	Actuator chain	(fig 2 only- part of optional actuator kit) connects the pivot arm to the A-frame

# SNOWPLOW ASSEMBLY

ENGLISH

1. Carefully unpack the carton (fig.3), accounting for each of the parts by referring to the function picture, parts list and schematic drawing (see page En.23)
2. Continue to refer to the parts list and exploded drawing while assembling the plow.
3. Using the grade 8 bolts and nuts included, bolt together the two halves of the snowplow blade (fig.4, C<sup>L</sup> and C<sup>R</sup>, below).



fig.3



fig.4

4. Attach the scraper (three pieces, a long, S<sup>L</sup> and two short ones: S<sup>S</sup>; fig.5, at right) to the front lower edge of the full blade using 25 mm (1") x M10 grade 8 carriage bolts, 10 mm washers, and M10 Nylock nuts (fig.6). The long piece of the scraper overlaps both halves of the blade. The shorter piece fills in the rest. The carriage bolts are inserted so that their domed caps are at the front of scraper, which lies on the lower front (concave side) edge of the blade. The nuts screw on from the back (convex) side of the plow blade. Tighten the nuts.

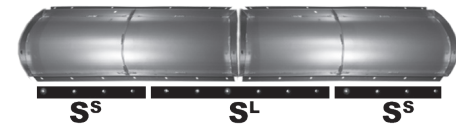


fig.5



fig.6

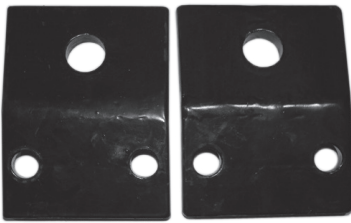


fig.7

Attach the two skid shoe holders (fig.7) to the bottom of the lower cross rib on the back of the plow blade. They should be attached so that they are cupped upwards, the ends of the holders with the two holes angled slightly when the blade stands vertically and the end having the single large hole aligned horizontally so that the shoes are vertical. To attach each, use 2 M12 x 32 mm gr.8 hex

head bolts inserted from below, and 2 M12 Nylock nuts threaded on from the top to attach it to the cross rib.

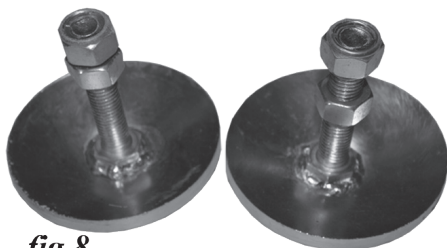


fig.8

5. If not already done, thread an M18 nut onto the shaft of each skid shoe (fig.8).

Assuming the blade assembly is held in a vertical position, insert the skid shoes into the skid shoe holders from below. Hold them in place with a Nylock nut on top of each (fig.9). Temporarily set the shoes so they hold the blade scraper about 1 cm (1/2 inch) above the surface. This is the normal setting for paved surfaces, but you can vary the height according to conditions.

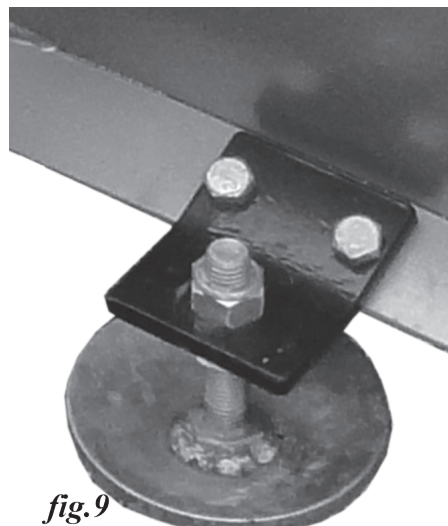
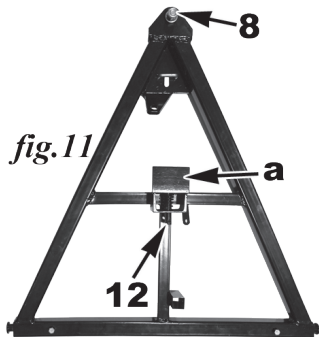
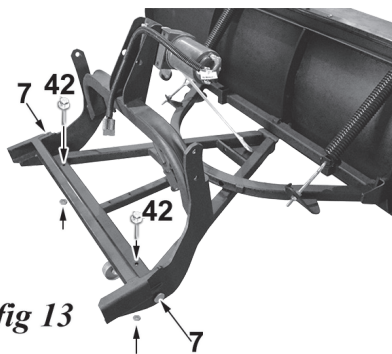


fig.9

# SNOWPLOW ASSEMBLY



6. Assemble the D frame (fig.10) on top of the A frame (fig. 11). With the rounded portion of the D frame held so it slides under the angle bracket (a, fig.10) on top of the A frame and the centre hole engages the angle locking pin (12, fig.10), connect the two frames using the pivot bolt. This is a 75 mm (2.95") M6 gr.8 hex head bolt with a 16 mm washer (8, fig.10), inserted from below the hole in the apex of the "A" of the A frame, through the pivot bolt sleeve. It goes up through a hole in the centre of the straight side of the "D" in the D frame. Hold this in place with an M16 Nylock nut. (fig.12, below)



7. Attach the main frame to the A frame using the two frame pins (7, fig 13). Lock the pins into the A frame with an M8 x 52 mm gr.8 hex head bolt (42, fig 13) inserted through an 8 mm washer, then the top of the frame at each end and secured with M8 nylock nuts.
8. If not already attached, bolt the winch to the top of the main frame with 4 M8 x 30 mm gr 8 hex head bolts, 8 mm washers, and M8 Nylock nuts; the bolts being inserted from the front through the winch base
9. Remove the gr.8 U-bolt from the top of the A frame, attach the lower end of the winch strap to it and re-attach. The strap should feed over top of the barrel of the winch toward the front and down to the attachment point on the A frame. (fig.13). The U-bolt should not be tightened fully. It should have a little play.
10. Dis-regard steps 8 and 9 if using the DK2 Elite electric actuator kit. For help with actuator kit installation, visit <https://www.dk2snowplows.com/faq>; or call our toll free number, 1(888) 277-6960.
11. Align the D frame's 3 attachment points with the two vertical centre ribs of each plow blade panel as well as the double, joined vertical ribs in the middle of the plow (fig.14). Insert clevis pins through each attachment point and the vertical ribs on the back of the blade. Secure the clevis pins (23, fig.15) in place with cotter pins and bend them so they remain in place.
12. If not already done, attach the 2 flip-down fixed castors to the inside edge of the last ribs on each end of the snow plow blade by bolting them to the rib. When plowing make sure to flip castors up and insert the pin to avoid damage while plowing.
13. If not already done, attach the swivel castor to the castor holder shaft and slide it from below into the shaft holder in the A frame. Lock it with the castor



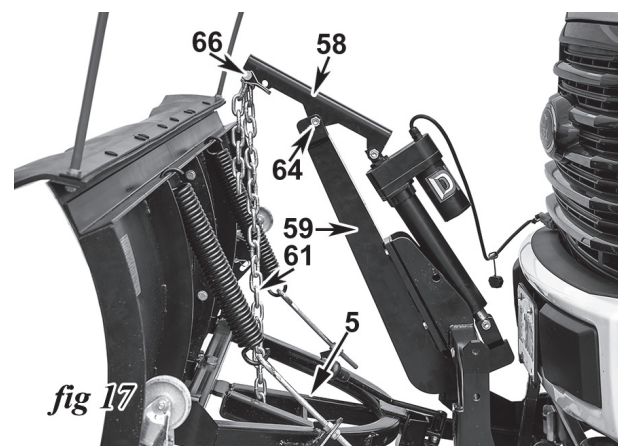
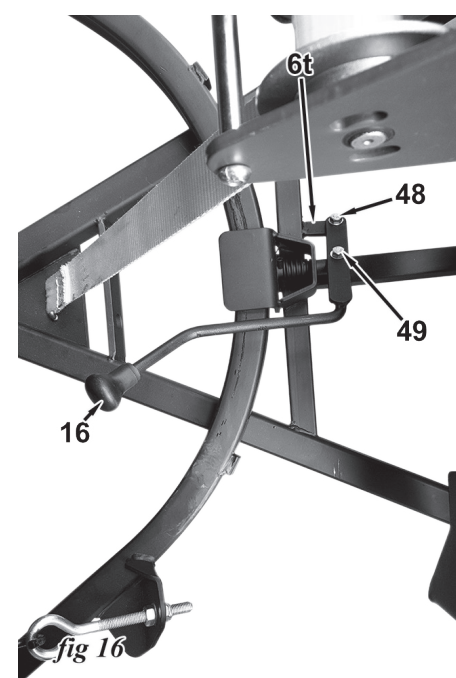
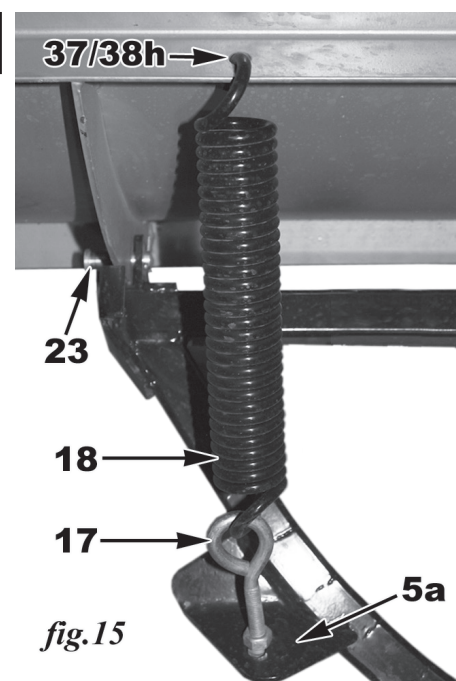
## SNOWPLOW ASSEMBLY

adjustment pin so that the frame is horizontal and the blade vertical.

14. Hook the trip springs (18, fig.15) into the holes in the top cross rib at the back of each plow blade panel (37/38h, fig.15). Attach the springs to the angle plates on the D frame (5a, fig.15) using for each an M12 gr.8 eyebolt (17, fig.15), M12 nut, 2 12 mm washers and an M12 Nylock nut.
15. Tighten the Nylock nuts to the point where the springs are just tight. Then turn the Nylock nut, shortening the take-up by 6 mm (1/4 inch) further so the springs open slightly. Snug up the inner M12 nut to hold the assembly tight. Assemble the blade angle locking handle with knob to the A frame so that it operates the spring-loaded angle lock pin in the bracket on top of the A frame smoothly. Bolt the end of the handle opposite the knob (16, fig.16) to the eye in the small tab in the A frame's centre cross piece (6t, fig.16) with an M8 x 25 mm gr.8 bolt (48, fig.16) and 2 x 8 mm washers. Secure with an 8 mm Nylock nut. Bolt the handle to the hole in the angle lock pin with an M8 x 35 mm gr.8 bolt (49, fig.16) and 2 x 8 mm washers. Secure with an 8 mm Nylock nut.
16. Attach the snow deflector to the top flange of the plow. Place the deflector rubber along the top angle of the plow blade. On top of that place the short and long metal deflector battens. Bolt them into place with 7 M10 x 25 mm carriage bolts down through all but the two end holes. In the end two holes, insert the threaded ends of the two snowplow marker wands. Secure all with 9 x M10 Nylock nuts threaded on from below the flange.
17. Using two bolts and nuts, attach the light bar with the two lights to the top edge of the winch support tower.
18. Connect the safety chain to the bottom of the winch mounting plate with the threaded quick link. During transportation with the plow blade raised, the clip hook should fasten to the hole in the angled tab just behind the strap attachment point in the apex of the A frame, preventing the plow blade from falling should anything fail.
19. It is normal for the whole assembly to rock back and forth when mounted, with the plow blade moving side to side from 20 to 25 cm (8 to 10 in.) This compensates for differences in terrain between the surface the plow rides on and what the vehicle is riding on. This flexibility should not be reduced.

## ELITE SERIES ACTUATOR ASSEMBLY

- see fig.17
1. Attach the Actuator mounting bracket, part #59 to the main frame.
  2. Using hardware #64 Hex bolt (1/2"-13 x 3", bolt part #58 Actuator pivot arm, to #59, the Actuator mounting bracket, through the center hole.
  3. Part #66 Actuator safety pin, goes through the end of part number 58, the Actuator pivot arm.
  4. Use hardware #63, Hex bolt (1/2"-13 x 2-1/2") to mount #60, the Electric actuator to #58, the Actuator pivot arm.
  5. Insert the Lifting chain, #61, through the Actuator safety pin, #66 and fasten the top to #58, the Actuator pivot arm.
  6. Using the U-Bolt (#10), inserted in the A-frame (#5), fasten the other end of the chain.



# SNOWPLOW ASSEMBLY

## ELECTRICAL INSTALLATION



**CAUTION!** Before working on the wiring, winch or activator in your vehicle, disconnect the battery and any other power sources.



**CAUTION!** For work connected with the vehicle, avoid touching any hot surfaces such as the engine, radiator, hoses and exhaust pipes.



fig.18

### WINCH LEADS

1. Connect the winch leads (fig.18), tagged "To Motor", to the contacts on the winch motor as shown (fig.19). Be sure the rubber caps cover the connections well to prevent water entry. The red lead should be connected to the positive (+ upper) terminal on the winch, and the black lead connected to the negative (- lower) winch terminal.
2. Lay the red and black leads down along the winch support tower, using nylon ties to secure them in place.
3. Use a nylon tie to retain the short cable leash on the blue 2" connector plug to the winch support tower.

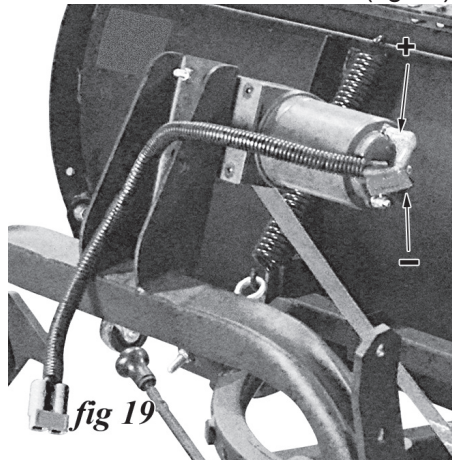


fig 19

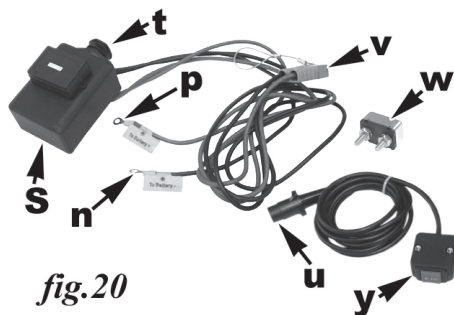


fig.20

### CONTROL BOX

The control box includes a transponder that can connect it wirelessly to a wireless remote control switch (optional at extra cost). There is also a hard-wired manual winch control switch (y, fig.20) included to operate your plow.

1. Attach the control box (s,fig.20) to the vehicle in the engine compartment. Mount it securely, away from moving parts and sources of heat. Take into account the amount of wire available to reach the vehicle battery and the amount of wire available to connect to the winch leads.
2. Run the red (p, fig.20) and black wires (n, fig.20) attached to the blue 2 inch connector plug (v, fig.20) forward to a point outside the front of the vehicle near the custom mount, where the plug can easily be connected to the plow lead. Leave some slack.
3. Run the red and black wires marked "To Battery" to the battery. The black wire should be connected directly to the negative terminal of the battery.

**NOTE:** Do not connect the black (negative ground) wire to the vehicle chassis or bodywork. It must lead directly to the negative battery terminal.

4. The red wire must be connected to the positive terminal of the battery with an intervening in-line 35 amp circuit breaker (w, fig.20) or fuse. The 35 amp circuit breaker is necessary to prevent possible electrical damage to either the winch or the vehicle's electrical system.



**WARNING:** If there is a DK2 wireless controller in the immediate vicinity of the control box, it can operate your plow's winch. Be aware there is danger of unexpected movement of the winch and blade.

5. Run the hard-wired control lead so that the switch (y, fig.20) goes into the cab of the vehicle and the plug (u, fig.19) connects to the socket in the top of the control box (t, fig.20).



**WARNING:** Never stand between the vehicle and the blade nor stand within 3 m (10 feet) of a blade in motion. Moving or falling blades can cause serious personal harm.

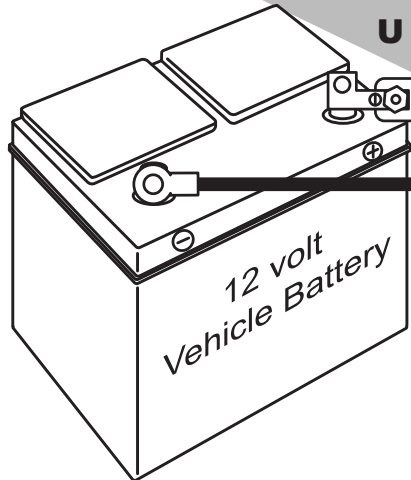
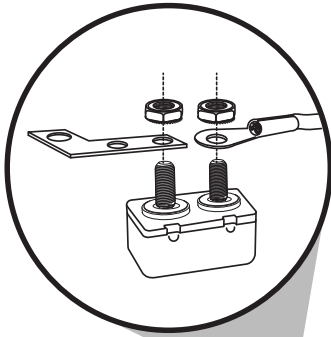
# WINCH / ACTUATOR WIRING DIAGRAM

**NOTE:** Apply electrical contact grease to all connections to prevent corrosion

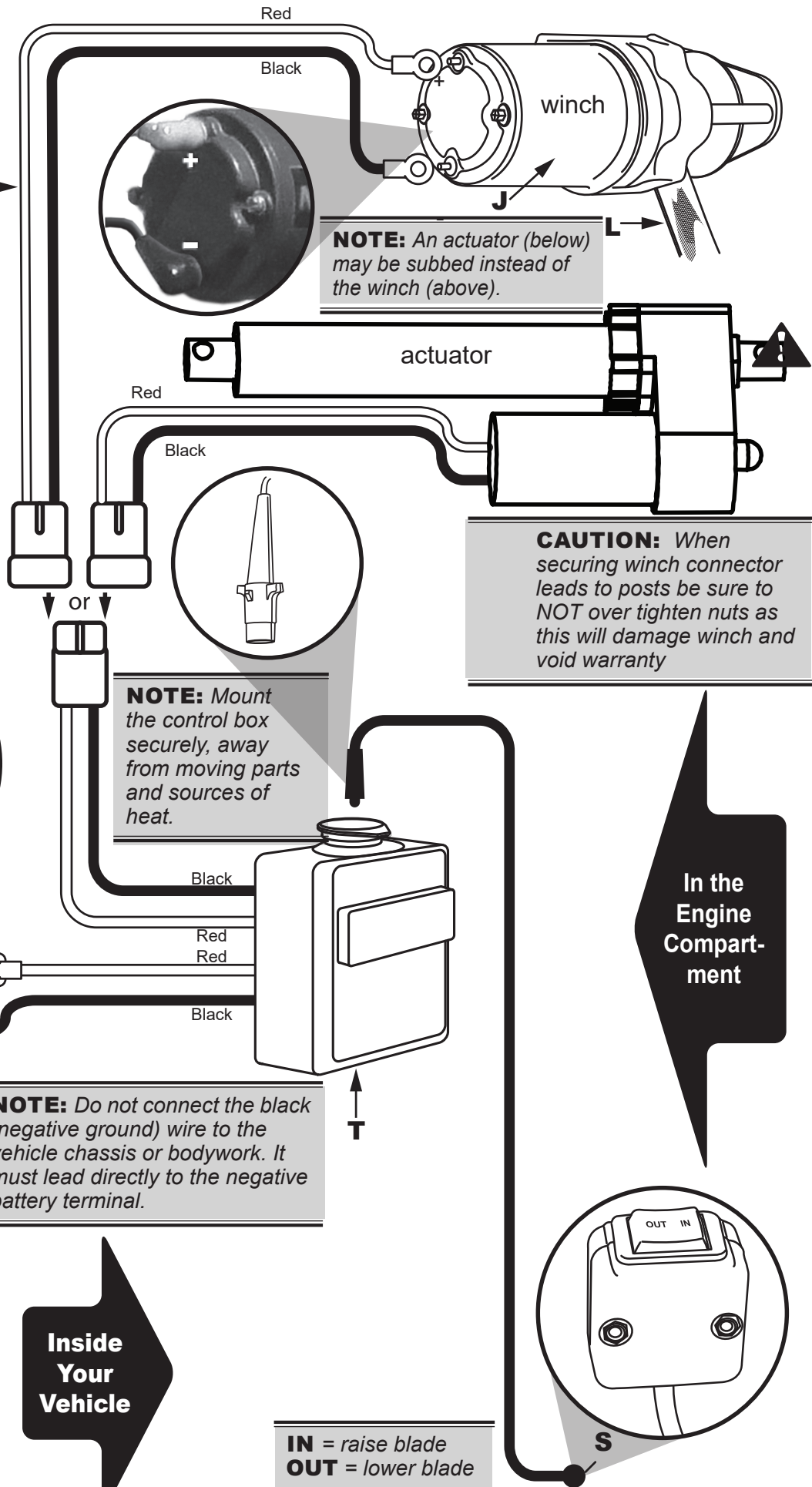


**CAUTION:** Before working on the winch or the wiring in your vehicle, disconnect the battery and any other power sources.

**NOTE:** The 35 amp circuit breaker is necessary to prevent possible electrical damage to either the winch or the vehicle electrical system.



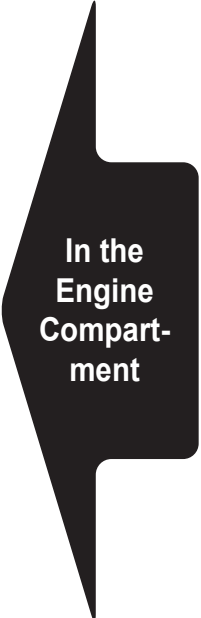
**NOTE:** Do not connect the black (negative ground) wire to the vehicle chassis or bodywork. It must lead directly to the negative battery terminal.



**NOTE:** An actuator (below) may be subbed instead of the winch (above).

**CAUTION:** When securing winch connector leads to posts be sure to NOT over tighten nuts as this will damage winch and void warranty

**NOTE:** Mount the control box securely, away from moving parts and sources of heat.



**IN** = raise blade  
**OUT** = lower blade



# OPERATING PROCEDURES

## OPTIONAL LIGHT KIT

Wiring for the optional snowplow lights must be run and connected separately, either connected to the vehicle auxiliary lighting or separately switched. Switching for the light bar is at the top of the winch support tower.



**CAUTION!** *Be sure that the snowplow lights are properly aimed when the snowplow is mounted on the vehicle, since its weight and the weight of any ballast will affect the way the vehicle sits on the road.*

## OPERATION



### WARNING!

- *Always inspect snowplow components, connections, and fasteners for wear or damage every time you attach or detach the snowplow. Worn or damaged components may allow the snowplow to fail without warning, resulting in serious injury or vehicle damage.*
- *Before plowing the first time, be sure all fixtures, connections, and parts are tight and properly aligned.*

1. Lift the plow using the control for the winch.
2. The plow angle can now be adjusted using the handle to release the angle lock pin from the holes in the D frame. Move the handle away from the blade toward the front of the vehicle and then rotate the blade and D frame. The plow can be positioned at an angle to the left and to the right of the line of travel or straight across the front of the vehicle. Releasing the handle will allow the spring-loaded pin to fall into the appropriate hole in the back of the D frame to hold its position.
3. After the first use, it is recommended that all bolts in the assembly are checked and re-tightened.
4. 2-wheel-drive vehicles and some others may have lower clearance. This will likely be further reduced by the front mount as well as the added weight of the plow. You may feel it helpful to adding spring height or increasing tire size to provide extra clearance needed. Though plowing ability will not be affected, because of its extension ahead of the front wheels, there is an increased likelihood of catching the plow assembly on raised or uneven surfaces.
5. This plow was intended to ease the clearance of newly fallen snow. The DK2 Snow Plow is not intended to clear the snow deposits created by large municipal or commercial snowplows, which contain heavy compacted, frozen lumps of snow and ice, and could damage the plow and vehicle. Do not use it for removing or pushing excessive amounts of snow, nor for ice, sand or gravel.
6. Mainly because of the design of the blade elevation and lowering mechanism, back-dragging with this unit is not practical nor recommended.



**WARNING!** *With heavier, full-sized vehicles, mainly through momentum, it may be easier to damage the plow assembly. Cautious use will help extend your years of trouble-free service.*

## PLOWING INSTRUCTIONS

The DK2 Snow Plow is intended for light personal use. It will effectively remove snow from parking lots, lanes, and driveways.

**To ensure long life for your snow plow, please observe these fundamental instructions and notes:**

1. Before beginning to plow, always check the main frame and the custom mount are correctly installed and secured using the two quick mount locking plates. Pull strongly forward on the plow. It should not move out of the front mount.
2. In heavy, continuing snowfalls, do not delay; plow regularly every 8 to 15 cm (3 to 6 inches) of snow accumulation. With heavy, wet snow increase the

# OPERATION

## ENGLISH

frequency.

3. To plow higher snow drifts, raise the blade and remove layer of snow from the top, lowering the blade by degrees on successive passes until the full depth is removed.
4. Do not allow the snow to become icy. Plowing immediately after each snowfall reduces the possibility the plow be used to break through ice.
5. Be familiar with the area being plowed or have someone who is familiar point out hazards. Exercise caution because hidden obstacles can inflict severe damage to both plow and vehicle.
6. Keep a distance of a metre (3 ft.) from obstacles such as building walls, telephone poles, and gates because the vehicle may slip sideways and cause the plow to contact them.
7. Ramming into a pile of snow will void your warranty and may cause damage to your vehicle. This plow is not designed for ice blocks
8. Do not attempt plowing snow at speeds above 15 km/h (10 mph). Faster may overload the unit or contribute to loss of control of the vehicle.
9. Should the plow appear to hop when plowing, a reduction in speed is recommended.
10. The DK2 Snow Plow will, by design, trip forward if overloaded or on striking an obstacle buried under the snow. The trip springs will then pull it back to the correct position. Before carrying on with caution, it is prudent to search out any hidden obstacles.
11. Before backing up, elevate the plow.
12. Make it a practice to lower the blade to the ground every time the vehicle is parked.
13. Do not leave the plow mounted on the vehicle between uses. It is easy to remove and re-attach.
14. Do not let ice and snow build up on the winch. Clear it off frequently so the blade's raising and lowering functions are not impeded. If stored outside, cover the winch assembly.
15. NOT DESIGNED FOR TRANSPORTATION ON PUBLIC ROADS. In most jurisdictions, driving on highways with a plow attached to your vehicle requires a lighting kit with turn signals as well as a safety retention chain to prevent the plow falling off the vehicle. Consult local regulations.

**NOTE:** Travelling at speeds above 15 km/h (10 mph) with a plow attached obstructs the vehicle's cool air intake and may cause engine overheating.

## PLOWING LANES

**NOTE:** Always begin the season plowing lanes as widely as you can. As the season progresses, maintenance of lane width is easier if there is room to move the subsequent snowfalls to.

### Procedure:

- Set the plow at an angle and move down the lane pushing the snow as close as possible to the edge where the snow will be piled. Stay clear of any ditches, trees, buildings and other obstacles along the lane.
- When you reach the end of the lane, turn the vehicle around and return going down the other side of the lane, building up a second pile of snow, without changing the angle of the plow.
- Run along the edges again, repeating this action and push the snow pile back incrementally further on each pass.

# OPERATION

## PLOWING PARKING LOTS

**NOTE:** Always begin the season plowing parking lots as widely on all sides as you can. As the season progresses, maintenance of the width of the cleared area is easier if there is more room to move the subsequent snowfalls to.

### Procedure:

- As a rule, plow outward from the centre to one edge, then start again from the centre and plow outward to the other side.
- Set the plow at 38° and drive down the centre of the parking lot to the far side.
- Stop before ramming the snow pile. Do not use the plow to stack the snow.
- Raise the plow blade.
- Reverse to the spot you started from.
- Plow an overlapping run parallel to the first.
- Raise the plow and continue in the same vein until one half of the parking lot is cleared.
- Get out and re-set the plow to 38° on the opposite side.
- Starting from the centre again, plow overlapping strips towards the other edge of the parking lot.

### TIPS AND TRICKS

**Staking** – Before snow even begins to fall, use stakes or wands to mark the edges of places that need to be plowed, so that you can plow safely and neatly without damaging the surrounding lawns and gardens. You can also mark hydrants, utility boxes, gas meters, sewer vent pipes, etc.

**Drains** – Through the season, ensure driveway drains remain clear and unobstructed, allowing snow an escape when it melts and less opportunity to re-freeze.

**Speed** – Plowing requires a safe, manageable speed limit, generally 15 km/h (10 mph). Faster speed reduces your visibility by pushing or blowing snow onto the windshield. If you hit an obstruction while plowing, the faster you're going, the greater the potential for personal injury or damage to equipment.

**Plan** – Think of the season ahead when determining where to push snow. Start snow banks back far enough that you have room for future snowfalls. Also, try to push snow away from buildings first, if possible.

**Stacking** – As you near the far side of the lot, reduce speed and raise the blade to prevent scraping turf, as well as to help stack the snow. Do not stack snow with the blade set at an angle.

**Overloading** – Allow the snow depth and water content to determine the width of your pass, or how much blade overlap you use for each pass. Move just enough snow with each pass to clear efficiently without overloading your equipment the plow or vehicle.

**Back-dragging** – A common technique used in plowing driveways more than three car lengths long, back-dragging may not be practical with a winch operated, gravity-lowered plow. It involves driving forward to the starting point (usually the garage door), dropping the blade, and pulling the snow back at least the length of your vehicle plus plow (about two car lengths). Repeat the process across the full width of the driveway. Turn around and back into the area just back-dragged clear and push the snow to where the snow will be piled.

**Angle** – A blade set at an angle is more effective for cutting and clearing hard-packed snow.

**Traction** – Ballast and snow chains, where allowed, are effective ways to increase traction. Plowing deep snow requires a steady movement of the vehicle.

# OPERATION

ENGLISH

## DETACHING THE SNOWPLOW

1. Drive the vehicle to a clear area
2. Raise the blade
3. Lower the 2 flip-down castors and lower the rear support plate. Secure with pins
4. Lower the blade
5. Disconnect the electrical connections
6. Remove the two locking plates from the custom mount
7. Roll the plow to its storage place

**NOTE:** After disconnection of the snowplow, always apply dielectric grease to the electrical connectors and plugs, maintaining the protective coating on the terminals.

**NOTE:** Cover the electrical connectors with the caps supplied and cover the winch if stored outdoors.

8. To re-attach the snowplow to the vehicle, reverse the process above.

## TROUBLESHOOTING

Difficulties with your Detail K2 plow? Please refer to the troubleshooting tips below. They are intended as a guide to assist in resolving some common technical problems and making helpful simple adjustments. For more assistance, please contact, toll-free, the Detail K2 customer service department at 1(888) 277.6960.

### THE PLOW BLADE ROCKS OR TIPS FROM SIDE TO SIDE.

- It is normal for the whole assembly to rock back and forth when mounted on a vehicle, with the plow blade moving side to side from 20 to 25 cm (8 to 10 in.) This compensates for differences in terrain between what the plow rides on and what the vehicle is riding on. It should not be reduced with shims or washers.
- If the rocking is excessive, check the pivot bolt to ensure that there is no more than 6 mm (1/4") of play. You can tighten the lock nut, if need be.
- The springs and eye bolts may not have enough tension. If the springs look as though they are loose, loosen the inner nuts and re-tighten the Nylock nuts to the point where the springs are just tight. Then turn the Nylock nut, shortening the take-up by 6 mm (1/4 inch) so the springs open slightly. Snug up the inner M12 nut to hold the assembly tight.

### THE WINCH STRAP IS BROKEN OR BREAKING.

- Broken straps are often the result of a lack of free movement in the U-bolt, at the point the strap is fastened to the A frame. Be sure that the lock nuts on the U-bolt allow it sufficient play.
- If the tie bar is bent, you will need to cut your winch strap off.

### THE WINCH DOES NOT START, OR IT HESITATES.

**CAUTION!** Before working on the winch or the wiring in your vehicle, disconnect the battery and any other power sources.



- Check that the battery cable is securely connected to the battery's negative terminal. Do not connect the black (negative ground) wire to the vehicle chassis or bodywork. It must lead directly to the negative battery terminal.
- Check that the control box switch (in the engine compartment) is "ON".
- Check that the winch contacts and the two 2" plug connectors are tight and free of corrosion or dirt. Dielectric grease works well to protect electrical connections.

**PLOW OPERATION WORKS OPPOSITE TO THE DIRECTIONS ON THE CONTROLLER** (i.e. blade lifts when ▼ button is pressed and vice versa)

- Check that the red lead is connected to the positive (upper) terminal on the winch, and the black lead connected to the negative (lower) winch terminal.

**THE WIRING, CONTROL SWITCH OR CONTROL BOX ARE HOT.**

- Be sure that a circuit breaker has been installed between the red battery cable and the battery's positive terminal. The breaker bracket must be connected between the battery and the brass terminal on the circuit breaker.

## MAINTENANCE

**REMINDER** *The Detail K2 plow was designed for personal use ONLY and not rated for commercial use.*

Using it in commercial applications or travelling above the recommended speeds will result in us voiding your warranty. It can also cause serious damage to the plow, or to your vehicle as well as possible personal injury.

**Detail K2 Inc. recommends the following general maintenance information:**

- Continuous heavy operation may demand a more intensive service regimen. Snowplowing will subject any vehicle to very heavy demands. As a result, thorough inspection and bringing both the snow plow and the vehicle up to the best possible operating condition is extremely important.
- Before the beginning the plowing season, and after each use, inspect both the vehicle and snow plow.
- Lubricate all moving parts with synthetic grease. Check all electrical connections for corrosion or wear.

## PRE-SEASON VEHICLE MAINTENANCE

- Have all scheduled vehicle maintenance performed as recommended by the manufacturer.
- In addition to generally keeping equipment in order, ensure specifically that:
  1. Windshield wipers, heaters, and lights are working correctly
  2. Emergency flasher lights are engaged to increase visibility and safety.
  3. Your vehicle is equipped with chains when necessary.
  4. The operator uses protective clothing and rubber gloves when handling caustic snow-melting chemicals.

# WARRANTY

ENGLISH

## LIMITED ONE (1) YEAR WARRANTY

### WHAT IS COVERED

DK2 Inc. warrants to the original purchaser of a Detail K2 Snow Plow that the product will be free and clear of manufacturing defects in workmanship and materials under normal use and service for a period of one (1) year from the date of the original purchase.

If within one (1) year from the original date of purchase this product fails due to defect in material or workmanship, Detail K2 will repair, replace, or supply any defective part at our option. Upon expiry of one (1) year, Detail K2 will have no further liability related to the snow plow.

Detail K2 does not authorize any party, including its authorized distributors or dealers, to offer any other warranty on behalf of Detail K2 Inc.

### THIS WARRANTY DOES NOT COVER OR APPLY TO:

- a. Damage to the product due to misuse, mishandling and abuse
- b. Improper installation, maintenance and storage
- c. Expendable parts such as nuts and bolts, pins and springs
- d. Normal wear and tear
- e. Consequential damage and incidental damages such as damage to persons or property

This Detail K2 Snow Plow is intended for personal use only. It is not intended for commercial use and subsequent use in this capacity will void all warranty claims.

### REGISTERING YOUR DK2 PRODUCT

Please take a minute to register your DK2 Snow Plow online at <http://www.detailk2.com/warranty/> or by calling customer service at 1-888-277-6960

### FILING A WARRANTY CLAIM

In order to open a warranty claim for any DK2 product please go to <http://www.detailk2.com/warranty/> and fill out the webform. After completed a member from our customer service team will contact you with the next steps. You can also call customer service at 1-888-277-6960 for assistance.

### PROCEDURE FOR OBTAINING A RETURN AUTHORIZATION

Within the one (1) year warranty period, the purchaser of the snow plow must notify an authorized distributor or dealer of the claimed defect and provide proof of original purchase. At this time the validity of the claim will be determined and a Return Goods Authorization Number (RGA) will be issued if approved. No returned product will be accepted under warranty unless accompanied by an RGA# issued by Detail K2 Inc.

### RESOLUTION FOR A DEFECTIVE SNOW PLOW

Detail K2 Inc. will at its option repair or replace the defective snow plow or snow plow parts covered by this warranty. The repaired snow plow or snow plow parts will be shipped to the purchaser upon completion. All transportation charges shall be the responsibility of the purchaser. Any damage in transit will be the responsibility of the carrier or at the risk of the purchaser.





# STANDARD PLOW PARTS LIST

ENGLISH

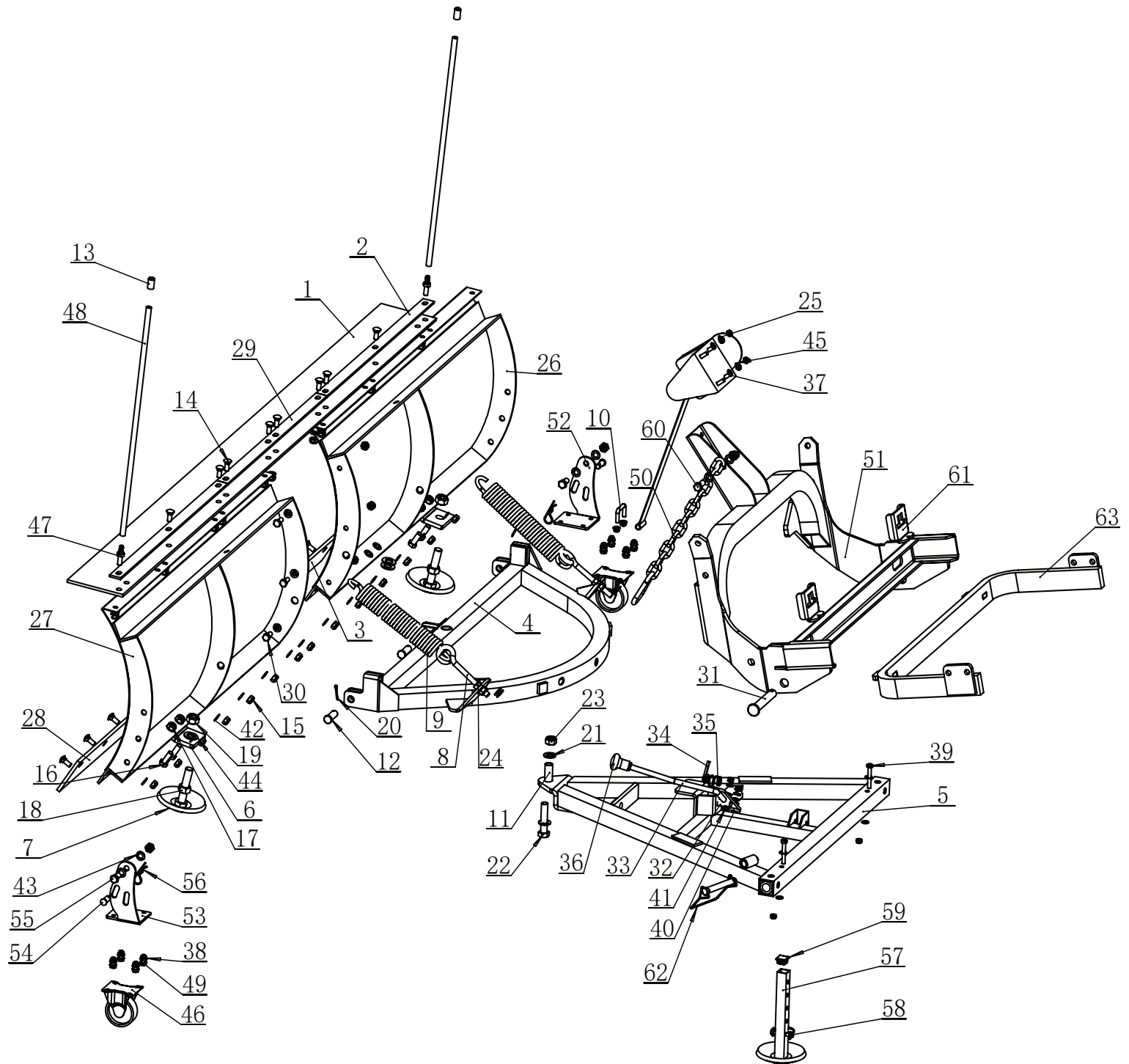
N°	DESCRIPTION	Qty.
1	Rubber	1
2	Deflector	2
3	Scraper(long)	1
4	D-frame	1
5	A-frame	1
6	Skid shoe holder	2
7	Skid shoe	2
8	Eyebolt	2
9	Spring	2
10	U-bolt	1
11	Pivot bolt sleeve	1
12	Clevis pin	3
13	Cap	2
14	Carriage bolt M10 x 25 - grade 8	22
15	Nylock nut M10	27
16	Nylock nut M12	4
17	Nylock nut M12	9
18	Nut M18	2
19	Nylock nut M18	2
20	Cotter pin	3
21	Washer 16 mm	2
22	Hex bolt M16 x 75 - grade 8	1
23	Nylock nut M16	1
24	Nut M12	2
25	Winch	1
26	Blade (right)	1
27	Blade (left)	1
28	Scraper (short)	2
29	Deflector	1
30	Hex bolt M10 x 25 - grade 8	3
31	Frame pin	2
32	Lock pin	1

N°	DESCRIPTION	Qty.
33	Blade angle locking handle	1
34	Pin	1
35	Spring	1
36	Handle knob	1
37	Hex bolt M8 x 52 – grade 8	4
38	Hex bolt M8 x 52 – grade 8	18
39	Hex bolt M8 x 52 – grade 8	2
40	Hex bolt M8 x 52 – grade 8	1
41	Hex bolt M8 x 52 – grade 8	1
42	Washer 10mm	30
43	Washer 12mm	18
44	Washer 18mm	4
45	Washer 8mm	34
46	Fixed castor	2
47	Marker bolt	2
48	Marker	2
49	Hex bolt M8	8
50	Chain	1
51	Frame support	1
52	Castor support (right)	1
53	Castor support (left)	1
54	Pin	2
55	Hex Bolt M12 x 75 grade 8	2
56	B style pin	2
57	Rear shoe support with foot	1
58	Snapper pin	1
59	Cap	1
60	Hex bolt M12	1
61	Safety clip	1
62	Safety pin	2
63	Cross member	1

**NOTE:** *Some items vary in size dependant on the length of the plow. When ordering parts, be sure to specify your snow plow model number as well as the item number from the parts list.*

# STANDARD PLOW SCHEMATIC DRAWING

ENGLISH



# ELITE SERIES PLOW PARTS LIST

ENGLISH

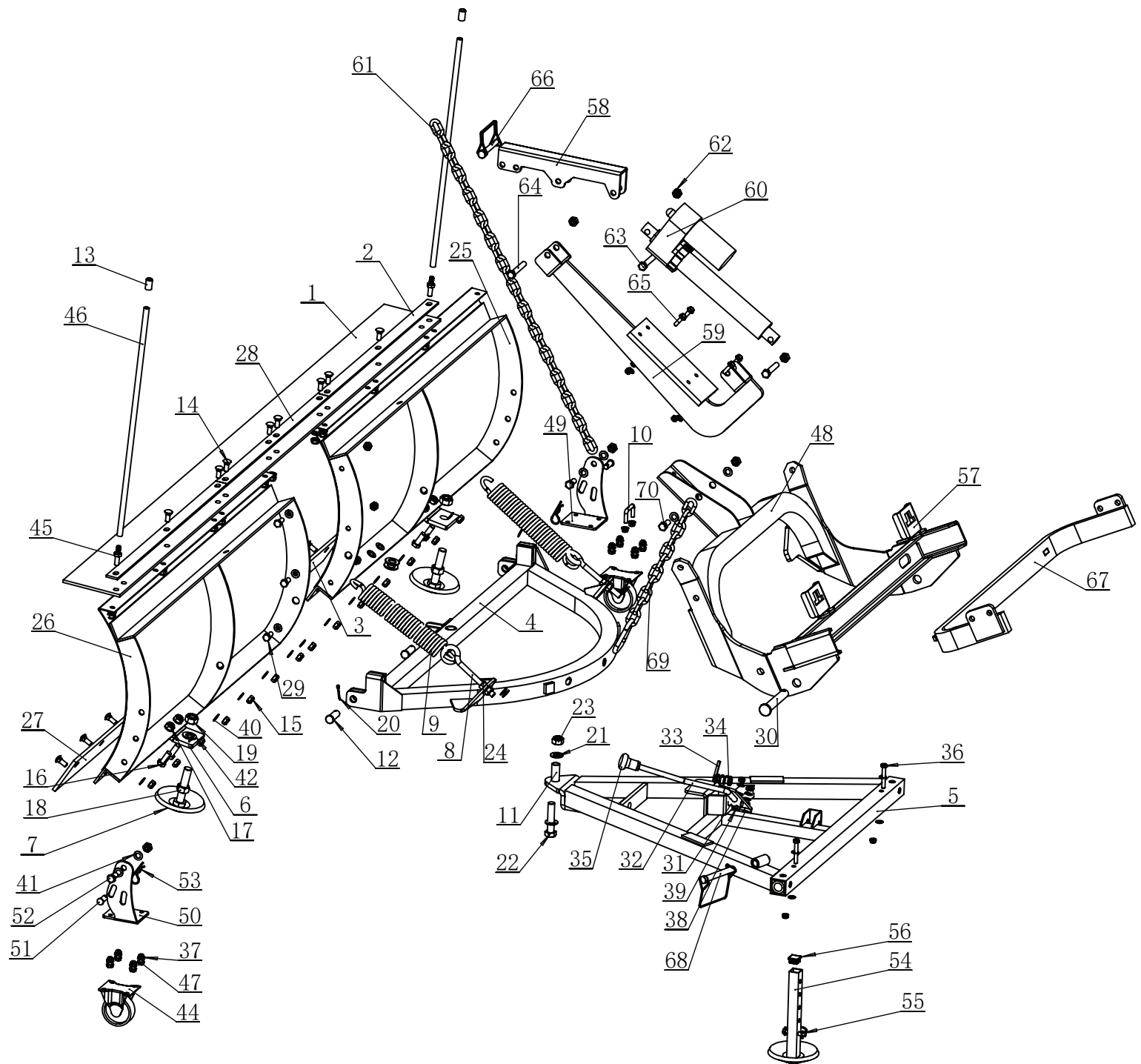
N°	DESCRIPTION	Qty.
1	Rubber	1
2	Deflector	2
3	Scraper (long)	1
4	D-frame	1
5	A-frame	1
6	Skid shoe holder	2
7	Skid shoe	2
8	Eyebolt	2
9	Spring	2
10	U-bolt	1
11	Pivot bolt sleeve	1
12	Clevis pin	3
13	Cap	2
14	Carriage bolt M10 x 25 - grade 8	22
15	Nylock nut M10	27
16	Nylock nut M12	4
17	Nylock nut M12	9
18	Nut M18	2
19	Nylock nut M18	2
20	Cotter pin	3
21	Washer 16 mm	2
22	Hex bolt M16x75 - grade 8	1
23	Nylock nut M16	1
24	Nut M12	2
25	Blade (left)	1
26	Blade (right)	1
27	Scraper (short)	2
28	Deflector	1
29	Hex bolt M10 x 25 - grade 8	3
30	Frame pin	2
31	Lock pin	1
32	Blade angle locking handle	1
33	Pin	1
34	Spring	1
35	Handle knob	1

N°	DESCRIPTION	Qty.
36	Hex bolt M8 x 52 – grade 8	2
37	Hex bolt M8 x 52 – grade 8	18
38	Hex bolt M8 x 52 – grade 8	1
39	Hex bolt M8 x 52 – grade 8	1
40	Washer 10 mm	30
41	Washer 12 mm	18
42	Washer 18 mm	4
43	Washer 8 mm	34
44	Fixed castor	2
45	Marker bolt	2
46	Marker	2
47	Hex bolt M8	8
48	Frame support	1
49	Castor support (left)	1
50	Castor support (right)	1
51	Pin	2
52	Hex bolt M12 x 75 grade 8	2
53	B style pin	2
54	Rear shoe support with foot	1
55	Snapper pin	1
56	Cap	1
57	Safety clip	2
58	Actuator pivot arm	1
59	Actuator mounting bracket	1
60	Electric actuator	1
61	Lifting chain	1
62	Nut M2	3
63	Hex bolt (1/2"-13 x 2-1/2")	2
64	Hex bolt (1/2"-13 x 3")	1
65	Hex bolt M8 x 30	4
66	Actuator safety pin	1
67	Cross member	1
68	Safety pin	1
69	Safety chain	1
70	Hex bolt M12 x 30	1

**NOTE:** *Some items vary in size dependant on the length of the plow. When ordering parts, be sure to specify your snow plow model number as well as the item number from the parts list.*

# ELITE SERIES PLOW SCHEMATIC DRAWING

ENGLISH









# DK2 CHASSE-NEIGE

RAMP8219 • RAMP8219ELT • STOR8422 • STOR8422ELT • SUMM8826 • SUMM8826ELT

## MANUEL D'INSTRUCTION ENGLISH MANUAL ON THE BACK

APPELEZ 1-888-277-6960 POUR COMMANDER VOTRE ATTELAGE SUR MESURE POUR VOTRE VÉHICULE



### ARRÊTER

Questions, problèmes, des pièces manquantes? Ne retournez pas chez votre détaillant. S'il vous plaît communiquer avec notre service à la clientèle au: 1-888-277-6960. Notre personnel de service à la clientèle est prêt à vous aider sur le champ. Si une pièce est endommagée ou manquante, les pièces de rechange peuvent être expédiés de nos établissements. Pour une aide immédiate au niveau de l'assemblage, ou pour des informations supplémentaires sur le produit, veuillez appeler notre numéro sans frais en Amérique du Nord: 1-888-277-6960.

### SAVE THIS MANUAL

Vous aurez besoin de ce manuel pour les instructions de sécurité, les procédures d'utilisation et la garantie. Mettez-le et la facture originale d'achat dans un endroit sûr et sec pour référence future.

#### DK2 ÉTATS-UNIS OUEST

4301 S VALLEY VIEW BLVD.  
SUITE 10-11 LAS VEGAS, NEVADA  
89103 ÉTATS-UNIS

#### SIÈGE SOCIAL CORPORATIF DK2

5330 MAINWAY  
BURLINGTON, ONTARIO  
L7L6A4 CANADA

#### DK2 ÉTATS-UNIS EST

3750 AVENUE SUD,  
UNITÉ NORD TOLEDO, OHIO  
43615 ÉTATS-UNIS

CUSTOMER SERVICE 1-888-277-6960 | WWW.DETAILK2.COM

# CONTENTS

Merci d'avoir acheté un chasse-neige dk2! .....	Fr.2
Général.....	Fr.3
Sécurité personnelle.....	Fr.3
Pratiques d'exploitation .....	Fr.3
Chasse-neige .....	Fr.4
Pratiques d'opération sécuritaires importantes .....	Fr.4
Véhicule.....	Fr.5
Conduite .....	Fr.5
Préparation .....	Fr.5
Opérations sécuritaires importantes.....	Fr.5
Sécurité de fonctionnement.....	Fr.6
Caractéristiques.....	Fr.7
Exigences relatives au véhicule .....	Fr.8
Ensemble chasse-neige .....	Fr.11
Chasse-neige standard description fonctionnelle.....	Fr.9
Chasse-neige serie elite description fonctionnel .....	Fr.10
Ensemble chasse-neige .....	Fr.12
Montage de l'actionneur série elite.....	Fr.13
Installation électrique.....	Fr.14
Procédures d'exploitation .....	Fr.14
Schéma de câblage du treuil / actionneur .....	Fr.15
Fonctionnement.....	Fr.16
Instructions d'opération .....	Fr.17
Détacher le chasse-neige.....	Fr.19
Dépannage .....	Fr.19
Entretien .....	Fr.20
Entretien pre-saison du véhicule .....	Fr.20
Garantie.....	Fr.21
Chasse-neige standard liste des pièces.....	Fr.22
Chasse-neige standard schéma.....	Fr.23
Chasse-neige serie elite liste des pièces .....	Fr.24
Chasse-neige serie elite schéma .....	Fr.25

## MERCI D'AVOIR ACHETÉ UN CHASSE-NEIGE DK2!

Ce chasse-neige est conçu pour l'enlèvement de la neige résidentiel.

S'il vous plaît pensez à utiliser le bon outil pour le bon travail. Éviter de surtaxer votre chasse-neige.

Soyez prudent quand vous l'utiliser pour de grande épaisseur de neige, ainsi que de la neige lourde (humide).

Votre chasse-neige DK2 n'est pas conçu pour déplacer de grand dépôt de neige créés par les chasse-neiges municipaux ou commerciaux, qui contiennent de la neige lourde, compacté, congelés ainsi que des morceaux de glace, et pourrait endommager votre véhicule ou le chasse-neige.

Si vous avez des questions ou des problèmes avec votre chasse-neige de Détail K2, incluant des problèmes d'installation, des pièces manquantes ou abimées, etc., ne pas retourner le produit au magasin.

S'il vous plaît appeler notre ligne de service sans frais, au 1 -888- 277-6960 pour parler à un technicien.

Détail K2 Inc., 1080 Clay Avenue Unit # 2, Burlington, Ontario, L7L 0A1 Canada  
Nous nous réservons le droit de modifier la conception et les spécifications des produits sans préavis ni obligation.

# PRATIQUES D'EXPLOITATION



**IMPORTANT :** Lisez attentivement les règles et les consignes de sécurité avant de fonctionnement de cet équipement.



**ATTENTION: AVANT TOUT** Lisez attentivement ce manuel avant d'opérer votre chasse-neige. Nous vous recommandons de lire entièrement ce manuel de sorte que vous soyez pleinement conscient de toutes les recommandations de sécurité importantes. Enregistrez votre numéro de série.



**DANGER :** Cet équipement a été construit pour être exploité selon des règles sécuritaires tel qu'indiqué dans ce manuel. Comme avec tout type d'équipement la négligence ou une erreur de la part de l'opérateur peut entraîner des blessures graves. Cette machine est capable d'amputer une main ou un pied. Le non-respect des consignes de sécurité suivantes peut entraîner des blessures graves ou la mort.

Pour utiliser cet équipement correctement, vous devez respecter les règles de sécurité, les instructions d'assemblage et les instructions de fonctionnement qui se trouvent dans ce manuel. Toutes les personnes qui utilisent et qui font le service du chasse-neige doivent être informés de son danger potentiel et doivent se familiariser avec ce manuel. Les enfants doivent être surveillés à tout moment, si ils sont dans l'environnement dans lequel le chasse-neige est utilisé. Il est aussi très important que vous observiez les règlements de prévention des accidents en vigueur dans votre région. Il en va de même pour les règles générales de la santé et la sécurité au travail.

## GÉNÉRAL

1. **LISEZ LE MANUEL DU PROPRIÉTAIRE ATTENTIVEMENT.** Apprenez à connaître votre chasse-neige et vous familiariser avec ses applications et ses limites.
2. **UTILISEZ LE CHASSE-NEIGE SELON LES DIRECTIVES DE CE MANUEL.** Ne pas en abuser ou le forcer à faire un travail pour lequel il n'a pas été conçu.
3. **UTILISEZ UNIQUEMENT DES PIÈCES D'ORIGINE ET ACCESSOIRES.** Consulter le manuel du propriétaire. L'utilisation d'accessoires incorrects peut créer des imprévus dangereux.



**ATTENTION:** Ne faire aucune tentative pour assembler et faire fonctionner le chasse-neige avant vous ayez lu attentivement ce manuel et complètement compris son contenu. Le fonctionnement incorrect de votre chasse-neige DK2 peut entraîner des blessures graves et / ou des dommages à la fois au chasse-neige et au véhicule. Considérant que Détail K2 Inc. ne fait pas l'assemblage ou l'installation, nous ne pouvons pas être tenus responsables pour toute blessure personnelle ou dommages causés par une mauvaise utilisation du produit.

## SÉCURITÉ PERSONNELLE

1. **POUR LA SÉCURITÉ, GARDER LES ENFANTS ET ANIMAUX À L'ÉCART** du chasse-neige dans la zone de déneigement.



**DANGER!** Assis ou à cheval sur le chasse-neige est extrêmement dangereux. Ceci pourrait infliger de graves blessures.



**ATTENTION!** Ne jamais se tenir entre le véhicule et la lame ni se tenir debout à l'intérieur 3 m (10 pieds) d'une lame en mouvement. Le déplacement ou la descente rapide de la lame peut causer de graves blessures personnelles.

# PRATIQUES D'OPÉRATION SÉCURITAIRES IMPORTANTES

**ATTENTION!** *En tout temps, gardez vos mains et les pieds le plus loin de la lame et du treuil.*



- PASSUREZ-VOUS DE BAISSER COMPLETEMENT LA LAME** par terre **CHAQUE FOIS** que le véhicule est stationné. La lame soulevée pourrait chuter et pourrait entraîner des blessures graves.

**ATTENTION!** *Lors du montage ou quand vous retirez le chasse-neige du camion, garder les mains et les pieds à distance de la lame, de l'ensemble de montage et du treuil. Déplacement ou la chute de l'ensemble pourrait causer des blessures. Ne jamais utiliser vos doigts pour vérifier l'alignement. Le déplacement ou la chute pourraient vous écraser les doigts.*



**ATTENTION :** *Vitesse de transport ne doit jamais dépasser 70 km/h (45 mph). Les conditions de voyage peuvent dicter une réduction de la vitesse. Toujours utiliser des feux de route appropriés.*



- PORTER UNE CEINTURE DE SÉCURITÉ** lorsque vous faite du déneigement. Obstacles cachés pourraient faire arrêter le véhicule soudainement, provoquant des blessures.
- METTRE LE VÉHICULE EN POSITION "PARK" OU ENCLENCHER LA TRANSMISSION, SI TRANSMISSION MANUELLE ET RETIREZ LA CLÉ D'ALLUMAGE** pour empêcher d'autres gens de faire démarrer le véhicule lors de l'installation ou de l'entretien du chasse-neige.
- HABILLEZ-VOUS CORRECTEMENT.** Ne pas porter de vêtements amples ou de bijoux. Gardez vos cheveux, vêtements et gants éloignés des pièces mobiles. Des vêtements amples, des bijoux ou les longs cheveux peuvent être pris dans les pièces mobiles. Pour plus de chaleur, porter des vêtements par couche, enlever des couches quand vous avez chaud, plus pratique!
- LUNETTES DE SÉCURITÉ LORS DE TRAVAUX SOUS LE CAPOT DU VÉHICULE.** Protéger vos yeux de l'acide de la batterie, de l'essence, de la saleté et la poussière. Les lunettes ajustées à votre vue ont seulement une résistance aux impacts limitée. Elles ne sont pas des lunettes de sécurité.
- POUR DES TRAVAUX LIÉS AU VÉHICULE,** éviter de toucher toutes surfaces chaudes telles que le moteur, le radiateur, les tuyaux et les boyaux d'échappement.
- TOUJOURS AVOIR UN EXTINCTEUR,** classe BC, spécialement pour liquide inflammable et les feux électriques.
- NE PAS FAIRE DE DÉNEIGEMENT AVEC VOTRE TÊTE SORTI E PAR LA FENÊTRE.** Un arrêt soudain ou un obstacle camouflé sous la neige pourrait entraîner des blessures.
- SEUL LE CONDUCTEUR DOIT ÊTRE QUE DANS LE VÉHICULE** lors de déneigement.

## CHASSE-NEIGE

- MAINTENIR LE CHASSE-NEIGE ET LE GARDER PROPRE ET LUBRIFIÉE.** Cela vaut même lorsque l'appareil n'est pas utilisé afin d'éviter la corrosion. En saison morte, inspecter l'appareil et appliquer de la peinture résistant à la corrosion à toutes les zones qui montre de la corrosion pour éviter d'autres dommages. Si entreposé à l'extérieur, couvrir le treuil.
- VÉRIFIEZ SOIGNEUSEMENT VOTRE CHASSE-NEIGE AVANT CHAQUE UTILISATION.** vérifier notamment l'alignement des pièces mobiles et serrer les vis et boulons desserrées.
- CET APPAREIL N'EST PAS DESTINÉ À UN USAGE COMMERCIAL.**

# OPÉRATIONS SÉCURITAIRES IMPORTANTES



**ATTENTION!** *Inspectez soigneusement toutes les composantes du chasse-neige et des boulons pour le relâchement, l'usure et les dommages lors du montage ou de démontage de l'appareil et avant transporter.*

Avec des véhicules pleine grandeur plus lourd, principalement par l'aire d'aller, Il sera plus facile D'endommager le chasse-neige.

## VÉHICULE

NE PAS ESSAYER de déneiger à une vitesse de plus de 15 km/h (10 mph). Conduire à des vitesses supérieures à 15 km/h (10 mph) avec le chasse-neige à l'avant réduit l'apport d'air frais et peut causer une surchauffe du moteur de votre véhicule.

Ne surchargez pas le véhicule. Prendre en compte le poids du véhicule chargé, incluant le poids de l'ensemble du chasse-neige, tous les accessoires, le conducteur et les passagers, les fluides, et la cargaison. Ce poids ne doit excéder le ratio de poids brute de l'essieu avant / arrière (PTME), et le poids total brut du véhicule (PNBV). Les évaluations spécifiques pour votre véhicule sont notées sur le label de certification dans l'effilure de la porte gauche. Du lest arrière peut être nécessaire pour éviter de dépasser le PTME avant.



**ATTENTION :** *L'installation d'un chasse-neige pourrait avoir une incidence sur la garantie de votre véhicule. Pour plus d'informations, consulter attentivement le manuel du propriétaire de votre véhicule ou de votre concessionnaire..*

Un arrêt brusque encourus lors d'une collision avec un obstacle caché dans la neige pourrait déclencher les sacs de sécurité "Airbag". Consultez le manuel de votre véhicule ou votre concessionnaire pour éviter ceci.

Si nécessité il y avait de mettre le véhicule sur un pont élévateur, Et retirer l'ensemble chasse-neige.

## CONDUITE



**ATTENTION:** *Assurez-vous que les plaques de verrouillage à fixation rapide sur votre attache sont sécurisés. Si le chasse-neige est mal installé à l'attache, il pourrait se détacher du véhicule, tomber et causer des dommages importants et / ou des blessures.*

1. **L'UTILISATION DE FEUX EST RECOMMANDÉE, SI NON REQUISE** par la réglementation des autorités locales en travaillant la nuit. Les phares de véhicules réguliers seront probablement masqués par la lame du chasse-neige.
2. **NE PAS ROULER SUR LA VOIE PUBLIQUE** avec le chasse-neige attaché à l'avant e votre véhicule.
3. **ATTACHER UN CROCHET DE SÉCURITÉ** lors du transport du chasse-neige dans la position élevée.
4. **NE PAS ESSAYER DE CHANGER LA POSITION DE LAME LORS D'UN DÉPLACEMENT**, Vous pourriez accidentellement abaisser la lame du chasse-neige.



**ATTENTION!** *Consultez la réglementation locale / provinciale concernant les restrictions de véhicules qui pourrait s'appliquer lorsque le chasse-neige n'est pas attaché. Ces restrictions peuvent s'appliquer à l'enlèvement de la fixation, du cadre de levage, du bras de levage, du mécanisme de treuil ou de tout autre élément monté à l'avant de votre véhicule durant certaine période de l'année.*

**REMARQUE :** *Appliquer de la graisse imperméable à l'eau à toutes les pièces mobiles et tous les assemblages.*

## PRÉPARATION

1. **INSPECTEZ MINUTIEUSEMENT L'ENDROIT** où l'équipement doit être utilisé. Familiarisez-vous avec le terrain que vous devez déneiger et éviter tous les obstacles.



## OPÉRATIONS SÉCURITAIRES IMPORTANTES

2. **ENLEVEZ TOUS LES OBJETS ÉTRANGERS TELS QUE DES PAILLASSONS, JOURNAUX, LUGES, PLANCHES, FILS**, et autres articles.
3. **AVANT L'UTILISATION, VÉRIFIEZ QUE LE CHASSE-NEIGE SOIT BIEN FIXÉ À VOTRE ATTELAGE** et sécuriser les plaques de verrouillage à montage rapide.
4. **RESTER LOIN DE TOUT OBSTACLE.** Familiarisez-vous avec la région et les difficultés potentielles de votre déneigement.
5. **NE JAMAIS TENTER DE FAIRE DES AJUSTEMENTS LORSQUE LE VÉHICULE EST EN ROUTE**, sauf si spécifiquement recommandé dans le manuel de l'opérateur.
6. **PRUDENCE EN CHANGEANT DE DIRECTION ET LORS QUE DES OPÉRATION DE DÉNEIGEMENT SUR DES PENTES.**
7. **DURANT DES CHUTES DE NEIGE CONTINUE**, déneiger au fur et à mesure que la neige s'empile à 8 et 15 cm (3 et 6 po).
8. **PRÉPARER VOTRE PLAN DE DÉNEIGEMENT POUR ÉVITER UNE DÉCHARGE VERS LES FENÊTRES, MURS ET VOITURES, ETC.**, évitant ainsi des dommages possible ou des blessures. Ne Jamais décharger la lame vers des enfants, des passants ou animaux Ne permettre à quiconque d'être en face de la lame du chasse-neige.

## SÉCURITÉ DE FONCTIONNEMENT

1. **GARDEZ LES BADAUDS, ENFANTS ET LES ANIMAUX À AU MOINS 8 MÈTRES (25 PIEDS) DE LA LAME DU CHASSE-NEIGE** lorsqu'en fonctionnement. Arrêtez de l'utiliser si quelqu'un pénètre dans la zone. Ne jamais laisser les enfants le faire fonctionner.
2. **NE LAISSEZ JAMAIS PERSONNE MONTER SUR LA LAME EN FONCTIONNEMENT.** S'asseoir sur la lame peut entraîner de graves blessures.
3. **NE SURTAXER PAS LA CAPACITÉ DU CHASSE-NEIGE**, n'essayer pas de déblayer trop de neige trop rapidement.
4. **NE JAMAIS UTILISER CETTE MACHINE SANS UNE BONNE VISIBILITÉ OU UNE BONNE LUMINOSITÉ.** Éclairage adéquat est fortement recommandé et, en fonction de la juridiction, peut être requis sur les routes pour le travail de nuit.
5. **NE JAMAIS UTILISER LE CHASSE-NEIGE À HAUTE VITESSE** soit à plus de 16 km / h (10 mph). Au-dessus de cette vitesse, la surchauffe du moteur du véhicule peut également se produire.
6. **PRUDENCE, EN PARTICULIER LORS DE L'UTILISATION EN RENVERSE.**
7. **NE PAS UTILISER SANS DES VÊTEMENTS ADÉQUATS.** Ne pas porter de bijoux, de longues écharpes ou d'autres vêtements amples qui pourraient se coincer dans les pièces mobiles. Portez des chaussures qui vous permettrons une bonne adhérence sur les surfaces glissantes.

**AVERTISSEMENT:** Restreindre l'utilisation de ce chasse-neige aux personnes qui on lu et compris les avertissements et les instructions de ce manuel du chasse-neige.



**AVERTISSEMENT:** Les avertissements, mises en garde et les instructions détaillées dans ce manuel ne peuvent pas couvrir toutes les conditions et situations qui peuvent se produisent. Il doit être compris par l'opérateur que le bon sens et la prudence sont facteurs qui ne peuvent être intégrés dans ce produit, mais doit être fourni par L'OPERATEUR.



**AVERTISSEMENT:** Ne pas utiliser cet équipement jusqu'à ce qu'il a été assemblé et mis en place selon les instructions dans "Assemblée du Chasse-neige". Lire et suivre toutes les règles de sécurité et directives dans ce manuel d'instructions. Ne pas le faire peut entraîner des blessures graves.



## CARACTÉRISTIQUES

- Dimensions de la lame:
  - SUMM8826: 2,2 m de large x 66 cm de haut (88 pouces x 26 pouces)
  - STOR8422: 2.1 m de large x 56 cm de haut (84 pouces x 22 pouces)
  - RAMP8219 2,08 m de large x 48 cm de haut (82 pouces x 19 pouces)
- Convient à la plupart des camions légers et VUS
- Fixation Facile: se glisse dans votre attache personnalisée
- Treuil électrique ou un actionneur sans fil avec télécommande pour un contrôle facile de la lame de haut en bas
- 3 angles de blocage: gauche, droit et 90 degré.
- Construction d'acier enduite de peinture résistante avec protection UV.
- Les roues permettent la fixation et l'enlèvement de la lame en quelques secondes, de plus beaucoup plus facile pour l'entreposage.
- Livré avec:
  - Un treuil de 3000 lb ou un actionneur sans fil de 3 000 lb
  - Bordure de coupe en acier trempé
  - Déflecteur de neige en caoutchouc
  - Marqueurs de polymère
  - Patins
- Fabricant certifié ISO 9001
- Poids assemblé:
  - SUMM8826: 134,26 kg (296 lb)
  - SUMM8826 ELT: 152,41 kg (336 lb)
  - STOR8422: 128,37 kg (283 lb)
  - STOR8422 ELT: 146,51 kg (323 lb)
  - RAMP8219: 120,2 kg (265 lb)
  - RAMP8219 ELT: 138,34 kg (305 lb)
- Garantie 1 an

## EXIGENCES RELATIVES AU VÉHICULE

**ATTENTION!** *Toujours inspecter les composantes du chasse-neige, les connexions, et les attaches en cas d'usure ou d'endommagements chaque fois que vous attachez ou détachez le chasse-neige. Des composantes endommagées ou usées peuvent créer des bris sans avertissement et il pourrait en résulter des blessures graves ou des dommages au véhicule.*



### RECOMMANDATIONS DE VÉHICULES

Le véhicule avec le chasse-neige installé doit se conformer aux normes de sécurité applicables des véhicules à moteur et avec le poids brut déclaré du véhicule et de l'essieu du constructeur du véhicule (trouvés dans l'effluve de porte cité du poste du conducteur) ainsi que le rapport de distribution de poids avant et arrière. Dans certains cas, un lest arrière peut être nécessaire pour se conformer à ces exigences. (Voir les exigences de ballast ci-dessous.)

Les poids des occupants des sièges avant peuvent être ajustés ci-dessus 136 kg (300 lb), mais le poids total du véhicule avec chasse-neige ne doit pas dépasser le PNBV du véhicule ou PTME. Installation, modification et ajout d'accessoires doivent être conformes aux recommandations du fabricant et instructions publiées. La capacité disponible diminue à mesure que le véhicule est chargé d'une cargaison ou d'autre équipement ou quand le chasse-neige est installé. S'il existe une incertitude quant à savoir si la capacité disponible existe, le véhicule configuré doit être pesé.

### EXIGENCES DE LESTAGE

En raison du rapport ratio poids l'avant / arrière de l'essieu, le lestage (poids supplémentaire) est important dans les véhicules de qualification d'admissibilité pour les chasse-neige. Le lestage arrière doit être utilisé lorsque nécessaire pour rester en conformité avec les évaluations de l'essieu et les rapports comme spécifié par le constructeur du véhicule.

Le lestage si nécessaire, doit être installé correctement derrière l'essieu arrière, distribué uniformément sur toute la largeur du véhicule. Le poids de la retenue du lestage devrait être considéré comme faisant partie du poids du lest. Nous recommandons des sacs de sable pour le ballast.

### INSTALLATION D'UNE ATTACHE POUR LE CHASSE-NEIGE À VOTRE VÉHICULE

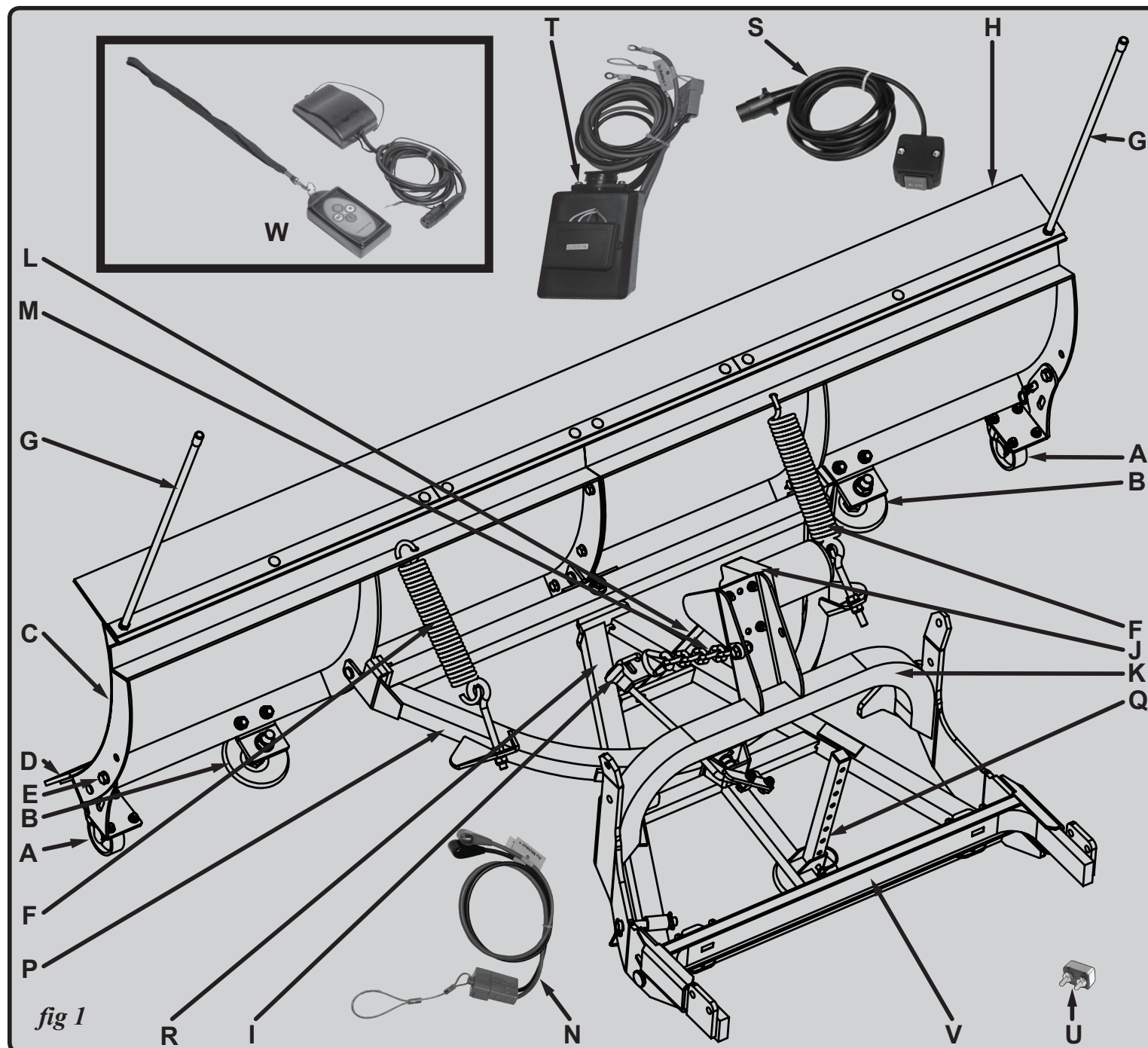
Pour installer le support personnalisé pour votre chasse-neige DK2 vous pouvez vous référer au manuel d'installation de l'attache qui est inclus avec votre attachement avant, personnalisé. Pour plus renseignements, appelez DK2 au 1-888-277-6960 ou visitez-nous au [www.detailk2.com](http://www.detailk2.com).

I.D	Nom	Fonction
A	Roues fixe (2)	Porte le poids du chasse-neige lors du montage, démontage et de l'entreposage
B	Patins (2)	Maintient le bord de raclage à une hauteur de consigne pendant le travail
C	Lame	Pousse et canalise de la neige à l'extérieur
D	Grattoir	Offre une arête de coupe en acier trempé pour une longue vie
E	Goupille de réglage	Permet le réglage de roues à la hauteur du véhicule pour la fixation / démontage
F	Ressorts de rappel (2)	Permet le déclenchement vers l'avant de la lame absorbant le choc lors d'une frappe / obstruction,
G	Marqueurs (2)	De couleurs vives pour localiser les coins extérieurs de la lame dans la poudrière ou de faible visibilité
H	Défecteur	Réduit la neige soufflée sur le dessus de la lame sur le pare-brise du véhicule
I	Poignée de verrouillage	La goupille de verrouillage exploite angle de lame pour permettre à la lame de se déplacer entre 22 et 38 degrés à droite ou à gauche, ou tout droit à 90 degré
J	Treuil	Élève et baisse la lame

# CHASSE-NEIGE STANDARD

## DESCRIPTION FONCTIONNELLE

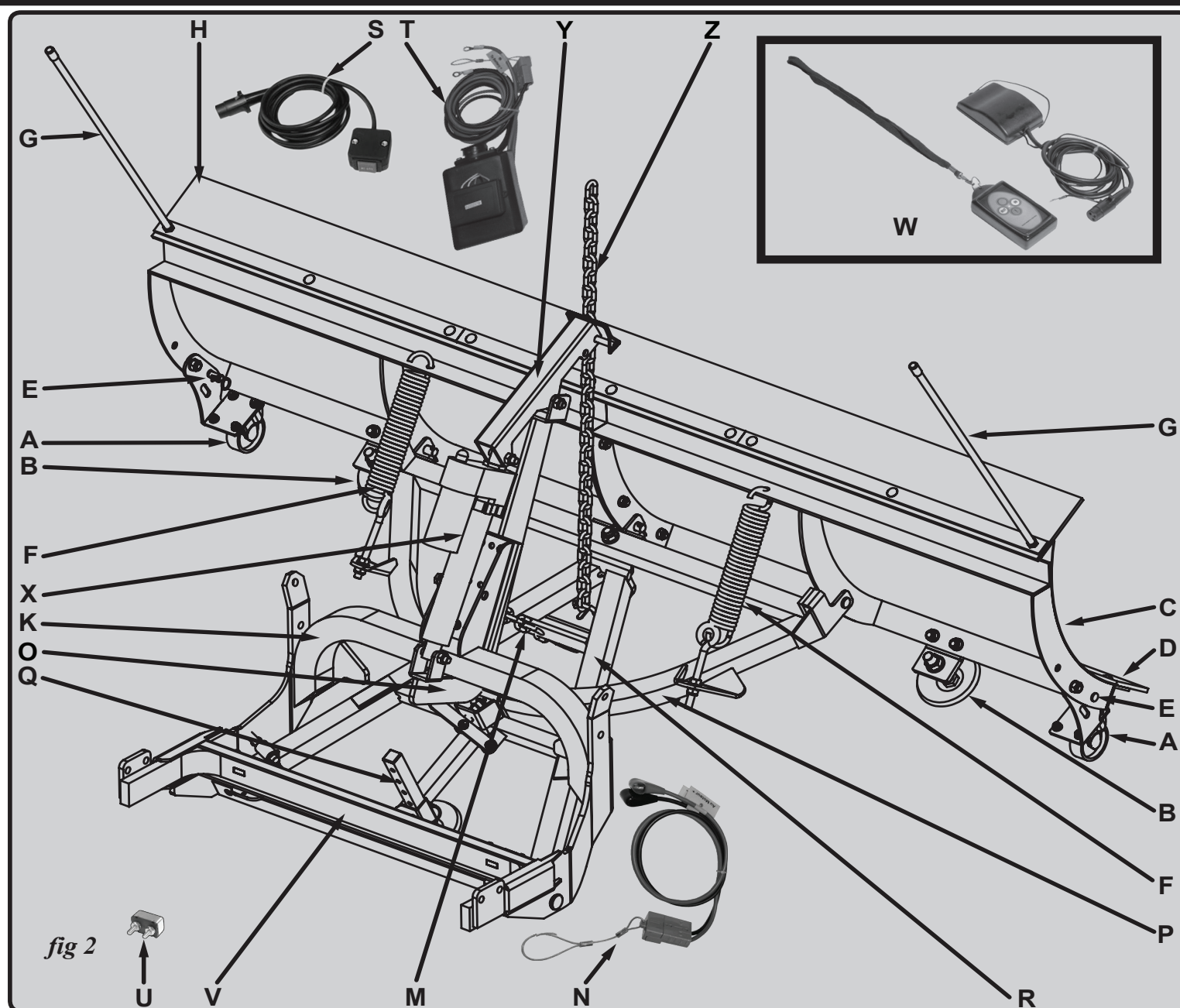
FRANÇAIS



I.D	Nom	Fonction
K	Cadre principal	Soutient le treuil et joint le châssis à l'attache monter à votre véhicule
L	La sangle du treuil	Relie le treuil au cadre en forme de A
M	Chaine de sécurité	Retient la lame à la position élevé durant le transport
N	Câblage électrique	Transfer la puissance au treuil
O	Support de l'actionneur	(fig 2 seulement - partie du kit d'actionneur en option) se monte sur le cadre principal et se connecte au bas de l'actionneur
P	Cadre en "D"	Supporte la lame et maintient son angle de direction
Q	Roues pivotantes	Directrices pour l'alignement, portant le poids de la charrue lors du montage, du démontage et l'entreposage
R	Cadre "A"	Cadre principal fixant la lame au véhicule

# CHASSE-NEIGE SERIE ELITE

## DESCRIPTION FONCTIONNEL



I.D	Nom	Fonction
S	Interrupteur de commande du treuil	Actionne le treuil et par conséquent la lame, de haut en bas à partir de l'intérieur du véhicule
T	Boîtier de commande de treuil	Alimente le treuil tel que demandé par l'interrupteur de commande du treuil
U	Disjoncteur	Potège le treuil et le système électrique du véhicule
V	Cadre transversal	Le cadre transversal relie le châssis du chasse-neige aux supports de montage du véhicule
W	Ensemble de conversion d'interrupteur sans fil	Commander # WR100
X	Actionneur électrique	(la fig. 2 seulement - partie du kit d'actionneur en option) soulève et abaisse la lame
Y	Bras de pivotement de l'actionneur	(la fig. 2 seulement - partie du kit d'actionneur en option) se monte sur le dessus du support
Z	Chaîne d'actionneur	(la fig. 2 seulement - partie du kit d'actionneur en option) relie le bras pivotant au cadre en A





fig.3

## ENSEMBLE CHASSE-NEIGE

1. Déballez le carton (fig.3), représentant chacune des parties en se référant à l'image de la fonction, la liste des pièces et au dessin schématique (voir page Fr.21)
2. Continuer de se référer à la liste des pièces et dessin schématique lors du montage du chasse-neige.
3. Utilisation boulons de grade 8 et écrous inclus, boulonner ensemble les deux moitiés de la lame du chasse-neige (fig.4, C<sup>L</sup> et C<sup>R</sup>, ci-dessous).



fig.4

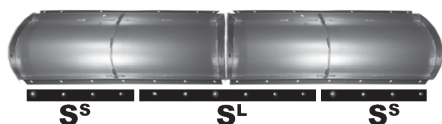


fig.5

4. Fixez le racloir (trois pièces, une longue, S<sup>L</sup>, et deux courts, S<sup>S</sup>; fig.5, à gauche) à la bordure inférieure avant de la lame en utilisant les boulons de 25 mm (1 po) x M10 de grade 8 et les rondelles de 10 mm ainsi que les écrous M10 de type Nylock (fig.6). Le long morceau du racloir chevauche les deux moitiés de la lame. Les plus petites pièces de racloir couvrent le reste de la lame. Les boulons sont insérés de sorte que leur parti bombé soit à l'avant de la lame, parti inférieur. Les écrous vont à l'arrière de la lame. Serrer les écrous.

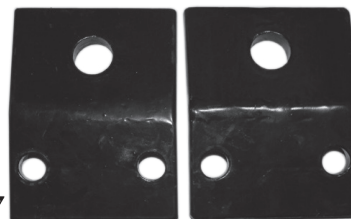


fig.6

Fixez les deux supports de patins (de fig.7) au fond de la nervure transversale inférieure sur le dos de la lame

du chasse-neige. Ils devraient être attachés de sorte qu'ils sont en forme de coupe vers le haut, les extrémités des supports avec les deux trous coulés légèrement lorsque la lame se tient verticalement et à la fin avoir le grand trou unique aligné horizontalement de sorte que les patins sont verticales. Pour les fixer, utiliser 2 boulons M12 x 32 mm de grade 8. Les têtes des boulons insérés par le bas et deux écrous M12 Nylock enfilées sur du haut de l'attache à la nervure transversale.

fig.7



5. Si ce n'est déjà fait, visez un écrou M18 sur l'arbre de chaque patin (fig.8). En supposant que l'ensemble de lame est maintenue dans un position verticale, insérer les patins par le bas dans le support déjà attaché à la lame. Et tenir en place avec un écrou Nylock, voir (fig.9). Installer temporairement le patin pour qu'il soutienne la lame a environ 1 cm (1/2 pouce) au-dessus du sol. Ceci serait la hauteur normale de la surfaces pavées, mais vous pouvez faire varier la hauteur en fonction des conditions.



fig.8

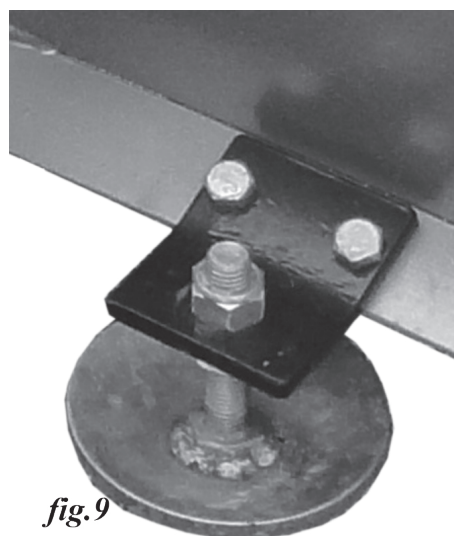


fig.9

## ENSEMBLE CHASSE-NEIGE

6. Assemblez le cadre de D (fig.10) sur le dessus du cadre A (fig.11). La partie arrondie le cadre en D se glisse sous l'équerre (a, fig.11) au dessus du cadre "A" de façon que le trou central s'engage avec la goupille de verrouillage (12, fig.11), relier les deux cadres en utilisant le boulon de pivot. C'est un boulon de 75 mm (2,95 po.) M6 Grade 8 hexagonal ainsi qu'avec une rondelle de 16 mm (8, fig.11), inséré par le bas dans le trou de l'apex du cadre "A", à travers la douille de pivotement. Il monte à travers un trou dans le centre de la partie rectiligne du cadre "D". Maintenez le tout et placer un écrou M16 Nylock. (fig.12, ci-dessous).



fig.12



fig.10

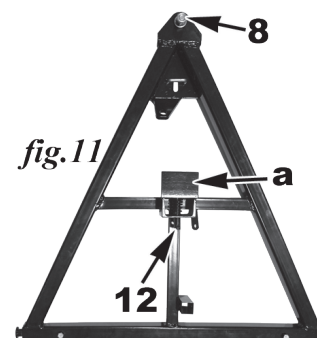


fig.11

7. Fixez le cadre principal au cadre A en utilisant les deux tiges de cadre (7, figure 13). Bloquer les tiges dans le cadre avec un boulon M8 x 52 mm à tête hexagonale de grade 8 (42, figure 13) inséré une rondelle 8 mm, puis la partie supérieure du cadre à chaque extrémité et sécurisé avec écrous M8.
8. Si non déjà fixé, boulonner le treuil vers le haut du châssis principal avec les boulons à tête hexagonale M8 x30 mm, les rondelles et des écrous M8 Nylock; les boulons étant inséré par l'avant à travers la base du treuil
9. Retirez le boulon en U du haut du cadre A, fixer l'extrémité inférieure du de la sangle et ré-attacher. La sangle doit s'intégrer au baril du le treuil vers l'avant et vers le bas pour le point de fixation sur le cadre A. Le U-boulon ne doit pas être serrée à fond. Il devrait avoir un peu de jeu.
10. Ne tenez pas compte des étapes 8 et 9 si vous utilisez le kit d'actionneur électrique DK2 Elite. Pour de l'aide avec l'installation du kit d'actionneur, visitez <https://www.dk2snowplows.com/faq>; ou appelez notre numéro sans frais 1 (888) 277-6960.
11. Aligner les 3 points de fixation du cadre D avec les deux nervures centrales verticales de chaque panneau de lame ainsi que le double, rejoint nervures verticales dans le milieu de la lame (fig.14). Insérez les goupilles pour chaque point de fixation des nervures verticales sur l'arrière de la lame. Fixer les goupilles (23, fig.15) en place avec broches fendues (cotter pin) et plient afin qu'ils soient sécurisées en place.
12. Si ce n'est déjà fait, fixer les deux roues rabattables sur le bord intérieur de chaque côtes sur l'extrémité de la lame en boulonnant à la nervure. Quand vous utilisez la chasse-neige assurez-vous de basculer les roues et insérer la

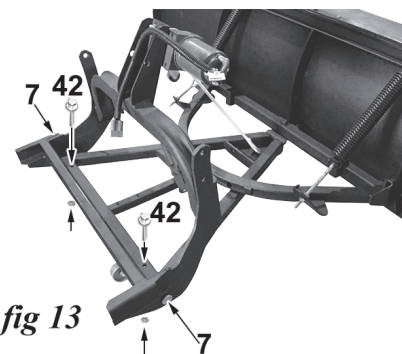


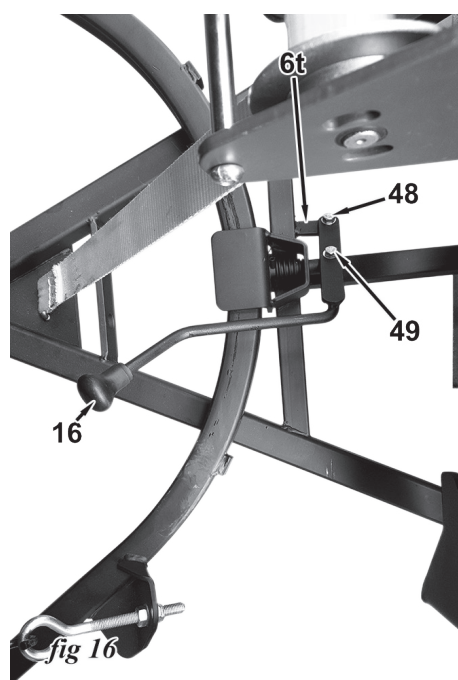
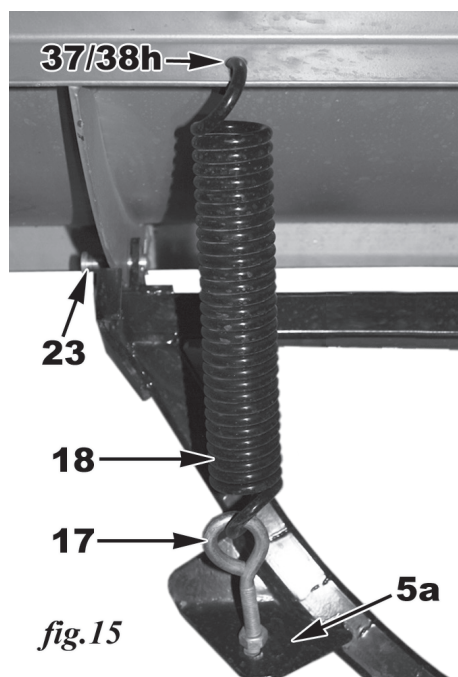
fig 13



fig.14



## ENSEMBLE CHASSE-NEIGE



tige de sécurité pour éviter d'endommager la lame.

13. Si ce n'est déjà fait, fixez les roues pivotantes aux supports de roues et glissez les ci-dessous du cadre A. Verrouillez avec la goupille de réglage de sorte que le cadre est horizontal et vertical de la lame.

14. Accrochez les ressorts de rappel (18, fig.15) dans les trous des arêtes à l'arrière de chaque panneau de lame de déneigement (37 / 38h, fig.15). Fixer les ressorts à l'angle des plaques sur le cadre D (5a, fig.15) en utilisant pour chacun boulon à œil de grade 8, M12 (17, fig.15), et l'écrou M12, 2 rondelles 12 mm et un écrou M12 Nylock.

15. Serrez les écrous Nylock au point où les ressorts sont juste serré. Puis tournez l'écrou Nylock, raccourcissant la tension de 6 mm (1/4 po) plus loin pour que les ressorts ouvrent légèrement. Serrez l'écrou interne fermement pour que l'ensemble soit serré.

16. Assembler la poignée de verrouillage au cadre A pour qu'elle opère la barrure à ressort dans la partie supérieur du cadre A de façon facile. Visser l'extrémité du manche à l'opposé de la poignée (16, fig.16) à l'œil dans le petit onglet dans le centre traverse du cadre A (6t, fig.16) avec un boulon M8 x 25 mm (48, fig.16) et 2 x 8 mm rondelles. Fixez avec un écrou de 8 mm Nylock. Visser la poignée pour le trou de la goupille de verrouillage d'angle avec un boulon M8 x 35 mm (49, fig.16) et 2 x 8 mm rondelles. Fixez avec un écrou de 8 mm Nylock.

17. Fixer le déflecteur de neige sur la partie supérieure de la lame. Placer le déflecteur de caoutchouc le long de l'angle en haut de la lame de charrue. Utiliser les longues et le court baguettes de métal pour boulonner en place. Fixer en place avec les boulons (7) M10 x 25 mm à la lame à travers tout sauf les deux trous d'extrémité. En fin les deux trous des extrémités, insérez les bouts filetées des deux marqueurs de la lame. Boulonner le tout avec des écrous de 9 x M10 enfilées sur du dessous de la bride.

18. À l'aide de deux boulons et écrous, fixez les barres de lumière avec les deux lumières sur la bordure supérieure de la tour de support du treuil.

19. Attacher la chaîne de sécurité au bas de la plaque de support du treuil avec joint rapide filetée. Lors du transport avec la lame du chasse-neige soulevé, le crochet à cliquet devrait être fixer au trou dans la languette inclinée juste derrière le point de fixation de sangle dans le sommet du cadre A, ce qui devrait empêcher la lame du chasse-neige de tomber quoi qu'il advienne.

20. Il est normal pour tout l'ensemble de vaciller d'avant en arrière lorsqu'il est monté, avec la lame bougeant d'un côté à l'autre de 20 à 25 cm (8 à 10 po). Ceci compense les différences de terrain entre la surface de la lame et sur quoi le véhicule est. Cette souplesse ne devrait pas être réduite.

## MONTAGE DE L'ACTIONNEUR SÉRIE ELITE

● voir fig.17

1. Fixer la pièce # 59, Support de montage de l'actionneur au cadre principal

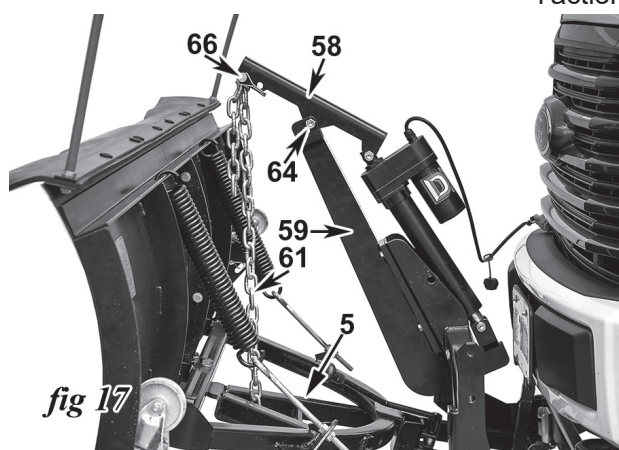
2. Utilisation du Boulon hex (1/2"-13 x 3"), # 64 du Bras de pivotement de l'actionneur # 58 à , Support de montage de l'actionneur, # 59 à travers le trou central

3. L'utilisation de la Goupille de sécurité de l'actionneur, # 66 passe à travers a l'extrémité du Bras de pivotement de l'actionneur # 58.

4. Utilisez le Boulon hex (1/2"-13 x 2-1/2"), # 63 pour monter l'Actionneur électrique (#60) sur la Bras de pivotement de l'actionneur, # 58

5. Insérez la Chaîne de levage # 61 à travers la Goupille de sécurité de l'actionneur, # 66, et fixez le dessus à la pièce # 58, Bras de pivotement de l'actionneur.

6. À l'aide du boulon en U (# 10) inséré dans le cadre en A (# 5), fixez l'autre extrémité de la chaîne.



## INSTALLATION ÉLECTRIQUE

**ATTENTION!** Avant de travailler sur le câblage, le treuil ou activateur dans votre véhicule, déconnecter la batterie et d'autres sources d'énergie.



**ATTENTION!** Pour les travaux en rapport avec le véhicule, évitez de toucher toute surface chaude telles que le moteur, le radiateur, les tuyaux et les boyaux d'échappement.



### CÂBLES DU TREUIL

1. Connectez les câbles du treuil, étiqueté « Pour Moteur », pour les contacts sur le moteur du treuil tel qu'illustré (fig 18). Soyez sûr que les capuchons de caoutchouc couvrent les connexions pour prévenir l'entrée d'eau. Le fil rouge doit être connecté à la borne positive (+ haut) sur le treuil, et le fil noir connecté à la borne négative (- bas) terminal de treuil (fig 19).



fig.18

2. Attachez les câbles rouge et noir le long la tour de support du treuil, à l'aide d'attaches de nylon pour les fixer en place.

3. Utilisez une attache en nylon pour retenir la laisse du câble court bleu connecteur 2 po. au capuchon à la tour du treuil.

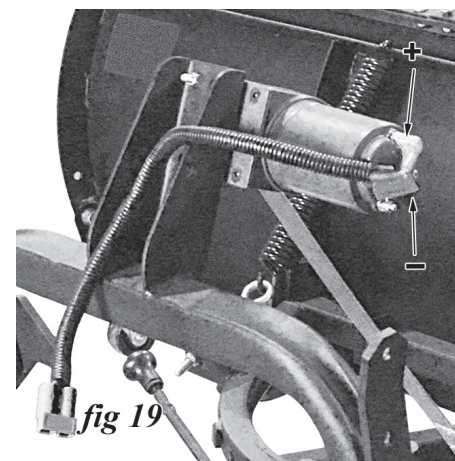


fig 19

## PROCÉDURES D'EXPLOITATION

### BOÎTIER DE COMMANDE

Le boîtier de commande comprend un transpondeur qui peut se connecter à un interrupteur sans fil de commande à distance (en option à un coût supplémentaire). Il y a aussi un contrôle câblé de commande pour le treuil (y, fig.20) inclus pour faire fonctionner votre chasse-neige.

1. Fixer le boîtier de commande (s, fig.20) sur le véhicule dans le compartiment moteur. Montez-le en toute sécurité, loin des pièces en mouvement et des sources de chaleur. Prendre en considération la quantité de fil disponible pour accéder à la batterie du véhicule et le quantité de fil disponible pour se connecter aux conducteurs de treuil.
2. Faites parcourir le fil rouge (p, fig.20) et noirs (n, fig.20) attachés au connecteur bleu de 2 pouces (v, fig.20) vers l'avant à un point à l'extérieur à l'avant du véhicule près de l'attache, où la fiche peut être facilement connecté au chasse-neige. Laissez un peu de mou.
3. Passer les fils rouges et noirs marqués "Pour batterie" à la batterie. Le fil noir doit être relié directement à la borne négative de la batterie.

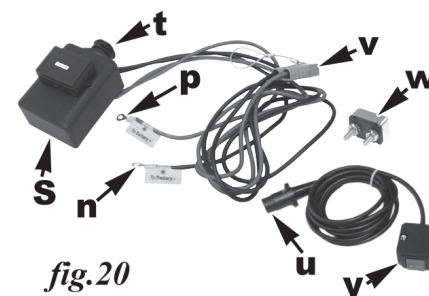


fig.20

**REMARQUE:** Ne branchez pas le fil noir (masse négative) au châssis du véhicule ou à la carrosserie. Elle doit conduire directement à la borne négative de la batterie.

4. Le fil rouge doit être connecté à la borne positive de la batterie avec un disjoncteur en ligne de 35 ampères (w, fig.20) ou une fusible. Le circuit de 35 ampères est nécessaire pour éviter d'endommager le système électrique soit le treuil ou du véhicule.

**ATTENTION:** Si il y a un contrôleur sans fil DK2 dans le voisinage immédiat le boîtier de commande, il peut faire fonctionner le treuil de votre chasse-neige. Soyez conscient qu'il ya danger de mouvement inattendu du treuil et la lame.



5. Passer le câble de commande de sorte que l'interrupteur (y, fig.20) qui va dans la cabine du véhicule et la prise (u, fig.20) se raccorde à la douille dans la partie supérieure du boîtier de commande (t, fig.20).

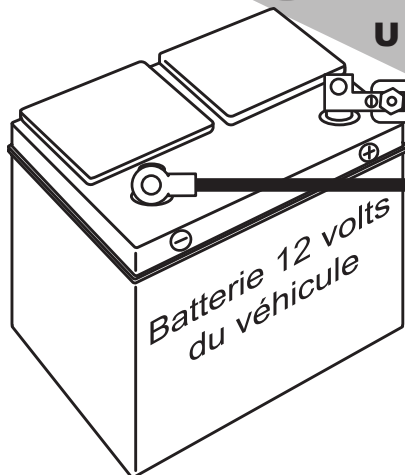
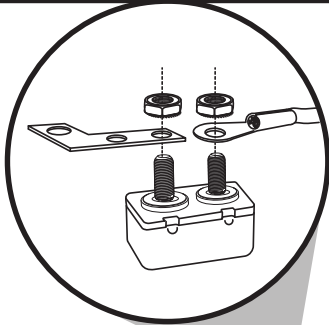
# SCHÉMA DE CÂBLAGE DU TREUIL / ACTIONNEUR

FRANÇAIS

Sur votre  
Chasse-  
neige

**ATTENTION:** Avant de travail sur le treuil ou le câblage dans votre véhicule, débrancher la batterie et toutes les autres sources d'énergie.

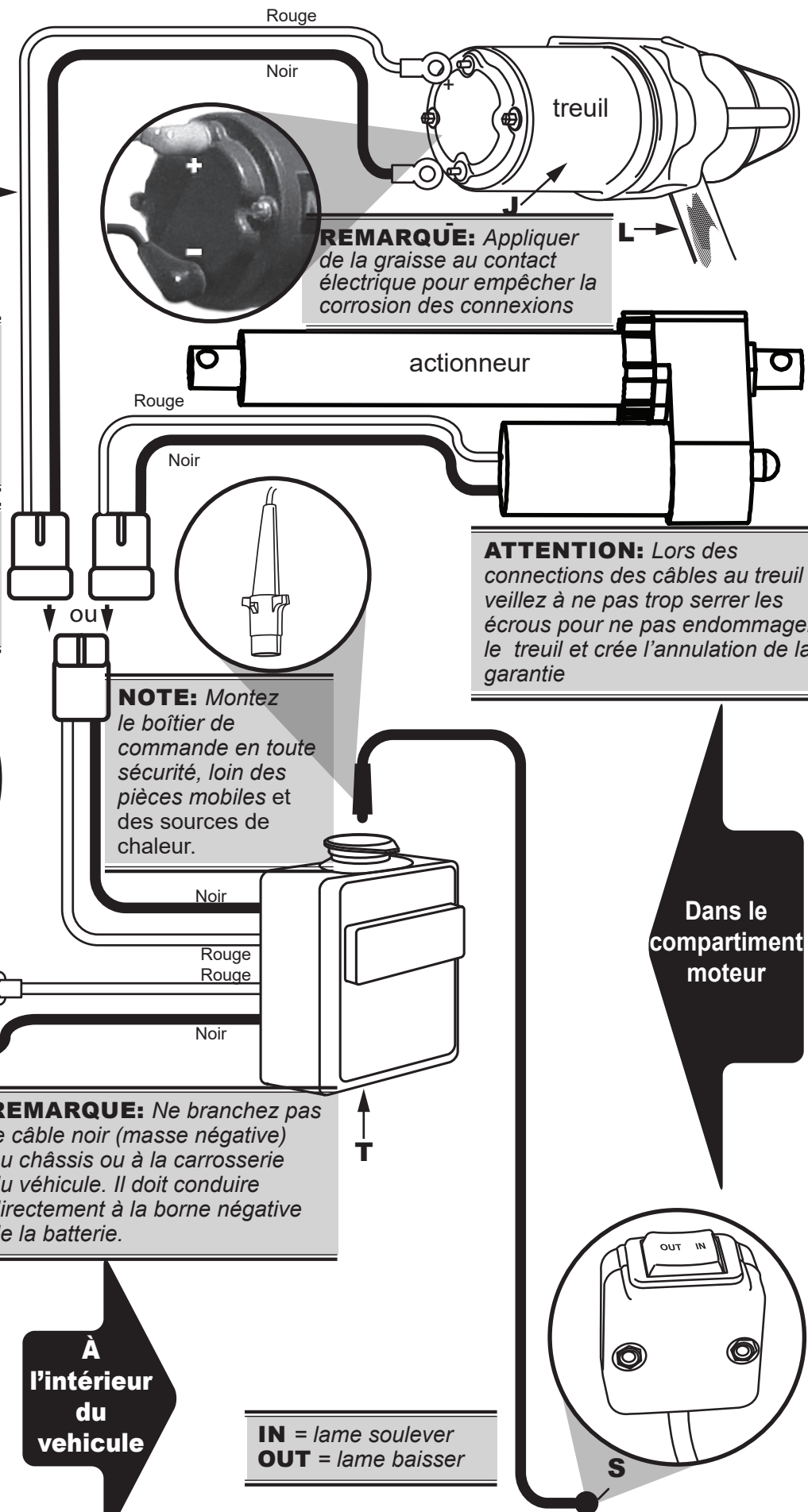
**NOTE:** Un disjoncteur de 35 ampères est nécessaire pour éviter les possibles dommages électriques soit le treuil ou le système électrique du véhicule.



**REMARQUE:** Ne branchez pas le câble noir (masse négative) au châssis ou à la carrosserie du véhicule. Il doit conduire directement à la borne négative de la batterie.

À  
l'intérieur  
du  
véhicule

IN = lame soulever  
OUT = lame baisser



**REMARQUE:** Appliquer de la graisse au contact électrique pour empêcher la corrosion des connexions

**ATTENTION:** Lors des connections des câbles au treuil veillez à ne pas trop serrer les écrous pour ne pas endommager le treuil et crée l'annulation de la garantie

Dans le  
compartiment  
moteur



**AVERTISSEMENT:** *Ne jamais se tenir entre le véhicule et la lame ni se tenir debout à l'intérieur 3 m (10 pieds) d'une lame en mouvement. Déplacement ou la descente de la lame peut causer de graves blessures.*



### OPTION D'ENSEMBLE DE LUMIÈRE

Le câblage pour les feux de chasse-neige en option doit être passé et connecté séparément, soit connecté à l'éclairage auxiliaire du véhicule ou séparément branché. Changer pour la barre de lumière est au sommet de la tour du treuil.

**ATTENTION!** *Assurez-vous que les lumières du chasse-neige sont correctement dirigées lorsque le chasse-neige est montée sur le véhicule, étant donné que son poids et le poids du lest aura une incidence sur la façon dont le véhicule se trouve sur la route au niveau éclairage.*



## FONCTIONNEMENT

### ATTENTION!

- *Toujours inspecter les composantes du chasse-neige, les connexions et attaches pour usure ou dommage chaque fois que vous attachez ou détachez le chasse-neige. Usés ou endommagés les composantes peuvent créer un bris sans avertissement, entraînant des blessures graves ou des dommages au véhicule.*
- *Avant de déneiger la première fois, assurez-vous tous les attaches, les connexions, et les pièces sont serrés et correctement alignés.*



1. Lever la lame en utilisant la commande du treuil.
2. L'angle de chasse peut maintenant être ajusté en utilisant la poignée pour libérer le verrou d'angle dans le cadre D. Déplacez la poignée de la lame vers l'avant du véhicule, puis faire pivoter le châssis de lame et le cadre D. La charrue peut être positionné à un angle vers la gauche et vers la droite ou droite à travers l'avant du véhicule. Libérer la poignée permettra à la goupille à ressort de tomber dans le trou approprié dans le dos du cadre D pour maintenir sa position.
3. Après la première utilisation, il est recommandé que tous les boulons dans l'assemblage soient vérifiés et resserrés.
4. Les véhicules 2 roues motrices et quelques autres peuvent avoir clairance-hauteur inférieure. Ce fait est susceptible de réduire la hauteur par le montage avant ainsi que le poids supplémentaire du chasse-neige. Vous pouvez ajouter de la hauteur au ressort ou augmenter la taille des pneus pour fournir l'espace supplémentaire nécessaire. Bien que la capacité du travail ne sera pas affectée en raison de son extension des roues avant, il existe la probabilité que l'ensemble de la charrue accroche sur des surfaces inégales ou soulevées.
5. Ce chasse-neige était destinée à faciliter le dégagement de la neige fraîchement tombée. Le chasse-neige de DK2 ne vise pas à déplacer les dépôts de neige créés par les grands chasse-neiges municipaux ou commerciaux, qui contiennent de la neige lourde, compactée, congelée et des morceaux de glace, et pourrait endommager le chasse-neige et le véhicule. Ne pas utiliser pour enlever ou pousser des quantités excessives de neige, ni pour la glace, le sable ou le gravier.
6. Principalement en raison de la conception de l'élévation de la lame et le mécanisme d'abaissement, retirer de la neige en marche arrière avec cet appareil n'est pas pratique ni recommandé.

**ATTENTION!** *Avec des véhicules plus lourds pleine grandeur, principalement grâce à l'élan, il peut être plus facile d'endommager l'ensemble du chasse-neige. L'utilisation prudente permettra de prolonger vos années de service sans problème.*



# INSTRUCTIONS D'OPÉRATION

Le chasse-neige DK2 est destiné à un usage personnel léger. Ce sera effectif pour enlever la neige des parcs de stationnement, les voies, et les allées.

## Pour assurer une longue vie pour votre chasse-neige, s'il vous plaît observer ces instructions fondamentales et notes:

1. Avant de commencer à déneiger, vérifiez toujours le cadre principal et l'attachement de montage pour qu'il soit correctement installé et fixé à l'aide des deux plaques de montage de verrouillage rapide. Tirez fermement vers l'avant sur la charrue. Il ne devrait pas sortir de la fixation avant.
2. Par grandes chutes de neige continues, ne tardez pas; déneiger régulièrement tous les 8 à 15 cm (3 à 6 pouces) d'accumulation de neige. Avec neige lourde et mouillée augmenter la fréquence.
3. Pour dégager amoncellements de neige plus élevés, lever la lame et retirer par couche de neige à partir du dessus, abaisser la lame un peu par passes successives jusqu'à ce que la totalité soit enlevée.
4. Ne laissez pas la neige devenir de glace. Déneiger immédiatement après chaque chute de neige réduit la possibilité que la lame soit utilisé pour briser la glace.
5. Être familier avec la région à déneiger ou avoir quelqu'un qui est familier pour pointer les dangers. Faire preuve de prudence, car des obstacles cachés peuvent infliger de graves dommages à la fois au chasse-neige et au véhicule.
6. Gardez une distance d'un mètre (3 pi.) des obstacles tels que les murs du bâtiment, poteaux de téléphone, et les portes parce que le véhicule peut glisser latéralement et crée un contact de la lame.
7. Charger un tas de neige annulera votre garantie et peut causer des dommages à votre véhicule. Ce chasse-neige n'est pas conçu pour des blocs de glace.
8. Ne pas tenter le déneigement à des vitesses supérieures à 15 km/h (10 mph). Aller plus vite peut surcharger l'appareil et contribuer à la perte de contrôle du véhicule.
9. Si la lame semble sursauter lors du déneigement, une réduction de vitesse est recommandée.
10. Le chasse-neige DK2, par sa conception, s'inclinera vers l'avant en cas de surcharge ou à la atteinte d'un obstacle ensevelie sous la neige. Les ressorts de rappel seront ensuite tirer en arrière à la position correcte. Avant de poursuivre, il serait prudent de chercher tout obstacles cachés sous la neige.
11. Avant de reculer, élever la lame.
12. Prenez l'habitude de baisser la lame au sol chaque fois que le véhicule est stationné.
13. Ne laissez pas la lame montée sur le véhicule entre les utilisations. Il est facile de enlever et réinstaller.
14. Ne laissez pas la glace et l'accumulation de neige sur le treuil. Désactivez-le souvent afin que le les fonctions de montée et la descente de la lame ne sont pas entravés. Si entreposé à l'extérieur, recouvrir l'ensemble de treuil.
15. PAS CONÇU POUR LE TRANSPORT SUR VOIE PUBLIQUE. Dans la plupart juridictions, la conduite sur les routes avec un chasse-neige attaché à votre véhicule nécessite un ensemble d'éclairage avec clignotants ainsi que d'une chaîne de retenue de sécurité pour empêcher le chasse-neige tomber du véhicule. Consulter les règlements locaux.

**NOTE:** Voyage à des vitesses supérieures à 15 km / h (10 mph) avec un chasse-neige attaché entrave l'apport d'air frais du véhicule et peut provoquer une surchauffe du moteur.

## DÉNEIGEMENT D'ALLÉES

**NOTE:** Toujours commencer la saison de déneigement le plus large possible. Comme la saison progresse, le maintien de la largeur des voies est plus facile et il y a de la place pour pousser la neige future.

**Procédure:**

- Régler la lame à un angle et se déplacer sur la voie en poussant la neige le plus près que possible du bord où la neige est empilé. Restez à l'écart de tous fossés, arbres, bâtiments et d'autres obstacles le long de la voie.
- Lorsque vous atteignez la fin de la voie, tourner le véhicule et revenir de l'autre côté de la voie, créant une seconde pile de neige, sans changer l'angle de la charrue.
- Exécuter le long des bords de nouveau, en répétant cette action et appuyez sur le tas de neige de retour de façon incrémentielle en outre à chaque passage.

**DÉNEIGEMENT DE STATIONNEMENTS**

**NOTE:** *Toujours commencé la saison de déneigement des terrains de stationnement le plus loin possible sur tous les côtés ou vous pouvez. Alors que la saison progresse, le maintien de la largeur est plus facile si il y a plus de place pour déplacer la neige ultérieur à venir.*

**Procédure:**

- En règle générale, la lame vers l'extérieur du centre vers les bords, puis commencer à nouveau à partir du centre à déneiger du centre vers l'extérieur de l'autre côté.
- Réglez la lame à 38° et déneiger le centre de l'aire de stationnement de l'autre côté.
- Arrêtez avant le foulage de l'amoncellement de neige. Ne pas utiliser la charrue pour empiler la neige.
- Relevez la lame du chasse-neige.
- Reculez à l'endroit que vous avez commencé pour continuer.
- Déneigez une course de chevauchement parallèle à la première.
- Levez la lame et continuer dans la même veine que la moitié de l'aire de stationnement est déneigé
- Sortez et re-régler la charrue à 38 ° sur le côté opposé.
- Partir du centre à nouveau, déneigé bandes se chevauche vers l'autre coté du terrain de stationnement.

**TRUCS ET ASTUCES**

**Piquetage** - Avant que la neige ne commence à tomber en automne, installez des piquets ou des baguettes pour marquer les bords des endroits qui ont besoin d'être déneiger, de sorte que vous pouvez déneiger toute sécurité et proprement sans endommager les pelouses et les jardins environnants. Vous pouvez également marquer les bouches, les boîtes utilitaires les compteurs de gaz, égouts, tuyaux de ventilation, etc.

**Égouts** - Durant la saison, assurez vous que les égouts restent dégagée, permettant une élimination de la neige quand elle fond et offre moins de possibilités de geler.

**Vitesse** – Le déneigement nécessite, une limite sûre et gérable de la vitesse, généralement de 15 km / h (10mph). Une vitesse plus rapide réduit votre visibilité en poussant et génère de la poudrière sur le pare-brise. Si vous frappez un obstacle tout en déneigement plus vite vous allez avoir plus le potentiel de blessures ou de dommages à l'équipement.

**Planification** - Pensez à la saison complète pour déterminer où pousser la neige. Au début pousser les bancs de neige le plus loin possible vers l'arrière pour que vous ayez de la place pour des chutes de neige à venir. Aussi, essayez de pousser la neige loin des bâtiments d'abord, si possible.

**Empilage** – Quand vous arrivez de l'autre côté du lot, réduire la vitesse et relever la lame pour éviter le grattage du gazon, aussi quand vous empiler la neige ne pas empiler la neige avec la lame fixée à angle.

**Surcharge** – Calculez la profondeur de la neige et la teneur en eau pour déterminer la largeur de vos passes, ou combien la lame doit chevaucher lors de chaque passage. Déplacez juste assez la neige à chaque passage pour effacer efficacement sans surcharger votre chasse-neige ou du véhicule.

**Retour- traîner** - Une technique couramment utilisée dans le déneigement d'allées plus trois longueurs de voiture de long, adosser et traîner peut ne pas être pratique

avec une lame abaissée par gravité. Elle consiste à faire avancer au point de départ (généralement le porte de garage), laissant tomber la lame, et en tirant la neige au moins la longueur de votre véhicule plus le chasse-neige (environ deux longueurs de voiture). Répétez le processus sur toute la largeur de l'allée. Faites demi-tour et revenez dans la zone déneigée et poussez la neige à l'endroit où la neige sera empilée.

**Angle** – L'ensemble de lame à un angle qui est plus efficace pour couper et à enlever la neige compacter

**Traction** - Lestage et des chaînes à neige, lorsque cela est autorisé, sont des moyens efficaces pour augmenter la traction. Déneiger de grande quantité épaisse de neige nécessite un mouvement régulier du véhicule.

## DÉTACHER LE CHASSE-NEIGE

1. Conduire le véhicule dans une zone dégagée
2. Relevez la lame
3. Abaissez les 2 roulettes rabattables et la plaque de support arrière. Sécurisé avec les goupilles
4. Baissez la lame
5. Débranchez les connexions électriques
6. Retirez les deux plaques de verrouillage du support personnalisé.
7. Roulez le chasse-neige jusqu'à son lieu d'entreposage

**NOTE:** *Après le retrait du chasse-neige, toujours appliquer de la graisse diélectrique aux connecteurs et les prises électriques, pour le maintien du revêtement protecteur sur la bornes.*

**REMARQUE:** *Couvrir les connecteurs électriques avec les bouchons fournis et couvrir le treuil si entreposé à l'extérieur.*

8. Pour ré-attacher le chasse-neige sur le véhicule, inverser le processus ci-dessus.

## DÉPANNAGE

Des difficultés avec votre chasse-neige Détail K2 ? S'il vous plaît se référer aux conseils de dépannage ci-dessous. Ils sont conçus comme un guide pour aider à résoudre certains problèmes techniques communs et faire des ajustements simples et utiles. Pour plus d'aide, s'il vous plaît contactez sans frais, le département de service à la clientèle de Détail K2 au 1-888-277-6960.

### LA LAME OSCILLE DE GAUCHE À DROITE.

- Il est normal pour tout ensemble de chasse-neige à se balancer d'avant en arrière lorsqu'il est monté sur un véhicule, la lame bougeant d'un côté à l'autre par 20 à 25 cm (8 à 10 po). Cela compense les différences de terrain entre le chasse-neige et le véhicule. Ceci ne devrait pas être réduit avec des cales ou des rondelles.
- Si le balancement est excessif, vérifiez le boulon de pivot pour vous assurer qu'il n'y a pas plus de 6 mm (1/4 ") de jeu. Vous pouvez serrer l'écrou de blocage, si besoin est.
- Les ressorts et les boulons à œil peuvent ne pas avoir assez de tension. Si les ressorts donnent l'impression qu'ils sont lâches, desserrer les écrous intérieurs et re-serrer les écrous Nylock au point où les ressorts sont juste serrés. Puis tourner l'écrou Nylock, raccourcissant l'adoption de 6 mm (1/4 de pouce) de sorte que les ressorts soient légèrement ouverts. Serrez l'écrou intérieure M12 pour maintenir fermement d'assemblage.

### LA COURROIE DU TREUIL EST BRISÉE OU VA CASSER

- Sangles cassées sont souvent le résultat d'un manque de libre circulation dans le boulon en U, au point où la sangle est fixée au cadre A. Assurez-vous que les écrous sur le boulon en U laissent un jeu suffisant.
- Si la barre de liaison est pliée, vous devrez couper la sangle de votre treuil.

## LE TREUIL NE DEMARRE PAS OU HÉSITE

**ATTENTION!** Avant de travailler sur le treuil ou le câblage dans votre véhicule, éconnecter la batterie et d'autres sources d'énergie.



- Vérifiez que le câble soit correctement connecté à la borne négative de la batterie ne pas connecter le fil noir (masse négative) sur le châssis du véhicule ou à la carrosserie. Elle doit conduire directement à la borne négative de la batterie.
- Vérifiez que l'interrupteur du boîtier de commande (dans le compartiment moteur) est "ON".
- Vérifier que les contacts de treuil et les deux connecteurs de 2" sont serrés et exempts de corrosion ou de saleté. Graisse diélectrique fonctionne bien pour protéger les connexions électrique.

**OPÉRATION DE LA LAME FONCTIONNE À L'OPPOSÉ DES DIRECTIONS SUR LE CONTRÔLEUR** (c.-à-lame soulève quand ▼ bouton est pressé et vice versa)

- Vérifiez que le fil rouge est connecté à la borne positive (supérieure/haut) sur la treuil, et le fil noir connecté à la borne négative (inférieure/bas) terminal de treuil.

### LES FILS DE L'INTERRUPTEUR DE COMMANDE OU DU BOITIER DE CONTRÔLE SONT CHAUDS

- Assurez-vous que le disjoncteur a été installé entre le câble rouge de la batterie et la borne positive de la batterie. Le support du disjoncteur doit être connecté entre la batterie et la borne de laiton sur le disjoncteur.

## ENTRETIEN

**RAPPEL :** Le chasse-neige de Détail K2 a été conçu pour un usage personnel et non classé pour un usage commercial.

Son utilisation dans des applications commerciales ou voyageant au-dessus des vitesses recommandées nous conduira à une annulation de votre garantie. Il peut aussi causer de graves dommages au chasse-neige, ou à votre véhicule ainsi que tout les risques de blessure.

### Détail DK2 Inc. recommande l'entretien général suivant informations:

- Les opérations lourdes et continues peuvent exiger un régime de service plus intensif. Le déneigement soumettra tout véhicule à des grandes exigences. Par conséquent un inspection approfondie à la fois du chasse-neige et du véhicule pour qu'il soit dans le meilleur état de fonctionnement possible est extrêmement important.
- Avant le début de la saison des déneigements et après chaque utilisation, vérifier le véhicule et le chasse-neige.
- Graisser toutes les pièces mobiles avec de la graisse synthétique. Vérifiez toutes les connexions électriques pour la corrosion ou l'usure.

## ENTRETIEN PRE-SAISON DU VÉHICULE

- L'entretien du véhicule régulier effectué comme recommandé par le fabricant.
- En plus de garder généralement de matériel en ordre de marche, assurez spécifiquement que:
  1. Essuie-glaces, appareils de chauffage, et les feux fonctionnent correctement
  2. Feux clignotants d'urgence sont engagés à accroître la visibilité et la sécurité.
  3. Votre véhicule est équipé avec des chaînes lorsque cela est nécessaire.
  4. L'opérateur utilise des vêtements et des gants de caoutchouc de protection lors de la manipulation caustiques chimiques de neige fondante.



# GARANTIE

## GARANTIE LIMITÉE (1) AN GARANTIE

### CE QUI EST COUVERT

DK2 Inc. garantie à l'acheteur original du chasse-neige Détail K2 que le produit sera libre et quitte de tout défaut de fabrication et de matériaux en utilisation normale et de service pour une période d'un (1) an à compter de la date de l'achat initial.

Si, dans un (1) an à compter de la date d'achat originale ce produit échoue en raison de défaut de matériel ou de fabrication, Détail K2 va réparer, remplacer, ou fournir des pièces de remplacement à notre discrétion. À l'expiration d'un (1) an, Détail K2 n'aura pas autre responsabilité liée à la chasse-neige.

Détail K2 n'autorise aucune partie, y compris ses distributeurs agréés ou concessionnaires, à offrir toute autre garantie au nom de Détail K2 Inc.

### CETTE GARANTIE NE COUVRE:

- a. Endommager le produit en raison d'une mauvaise utilisation, de mauvaise manipulation et d'abus
- b. Une mauvaise installation, mauvais entretien et mauvaise préparation d'entreposage.
- c. Les pièces consommables à usure rapide telles que les écrous et boulons, tiges et ressorts
- d. L'usure normale
- e. Les dommages indirects et les dommages accidentels tels que les dommages aux personnes ou propriété

Ce Chasse-neige de Détail K2 est destiné à un usage personnel seulement. Il ne doit pas être pour utilisation commerciale et utilisation ultérieure dans cette capacité annulera toutes les réclamations de garantie.

## ENREGISTREMENT DE VOTRE PRODUIT DK2

S'il vous plaît prenez une minute pour enregistrer votre DK2 Snow Plow en ligne à <http://www.detailk2.com/warranty/> ou en appelant le service à la clientèle au 1-888-277-6960

## FAIRE UNE RÉCLAMATION DE GARANTIE

Afin d'ouvrir une réclamation de garantie pour tout produit DK2, rendez-vous sur <http://www.detailk2.com/warranty/> et remplissez le formulaire en ligne. Après avoir complété, un membre de notre équipe de service à la clientèle vous contactera avec les prochaines étapes à suivre. Vous pouvez également appeler le service à la clientèle au 1-888-277-6960 pour obtenir de l'aide.

## PROCÉDURE POUR OBTENIR UNE AUTORISATION DE RETOUR

Dans une période de garantie d'un (1) an, l'acheteur du chasse-neige doit informer un distributeur ou revendeur agréé du défaut revendiqué et fournir une preuve de l'achat initial. A cette époque, la validité de la réclamation sera déterminée et un numéro d'autorisation (RGA) sera émis si elle est approuvée. Aucun retour de produit ne sera accepté sous garantie moins d'être accompagné par un # RGA publié par Détail K2 Inc.

## RÉSOLUTION POUR UN CHASSE-NEIGE DÉFECTUEUX

Détail K2 Inc. à son choix pourra réparer ou remplacer le chasse-neige défectueux Ou les pièces du chasse-neige couvertes par cette garantie. Les pièces du chasse-neige réparé ou les pièces réparé seront expédiés à l'acheteur lors de l'achèvement. Tous les frais de transport seront à la charge de l'acheteur. Tout dommage en transit sera la responsabilité du transporteur ou au risque de l'acheteur.

# CHASSE-NEIGE STANDARD LISTE DES PIÈCES

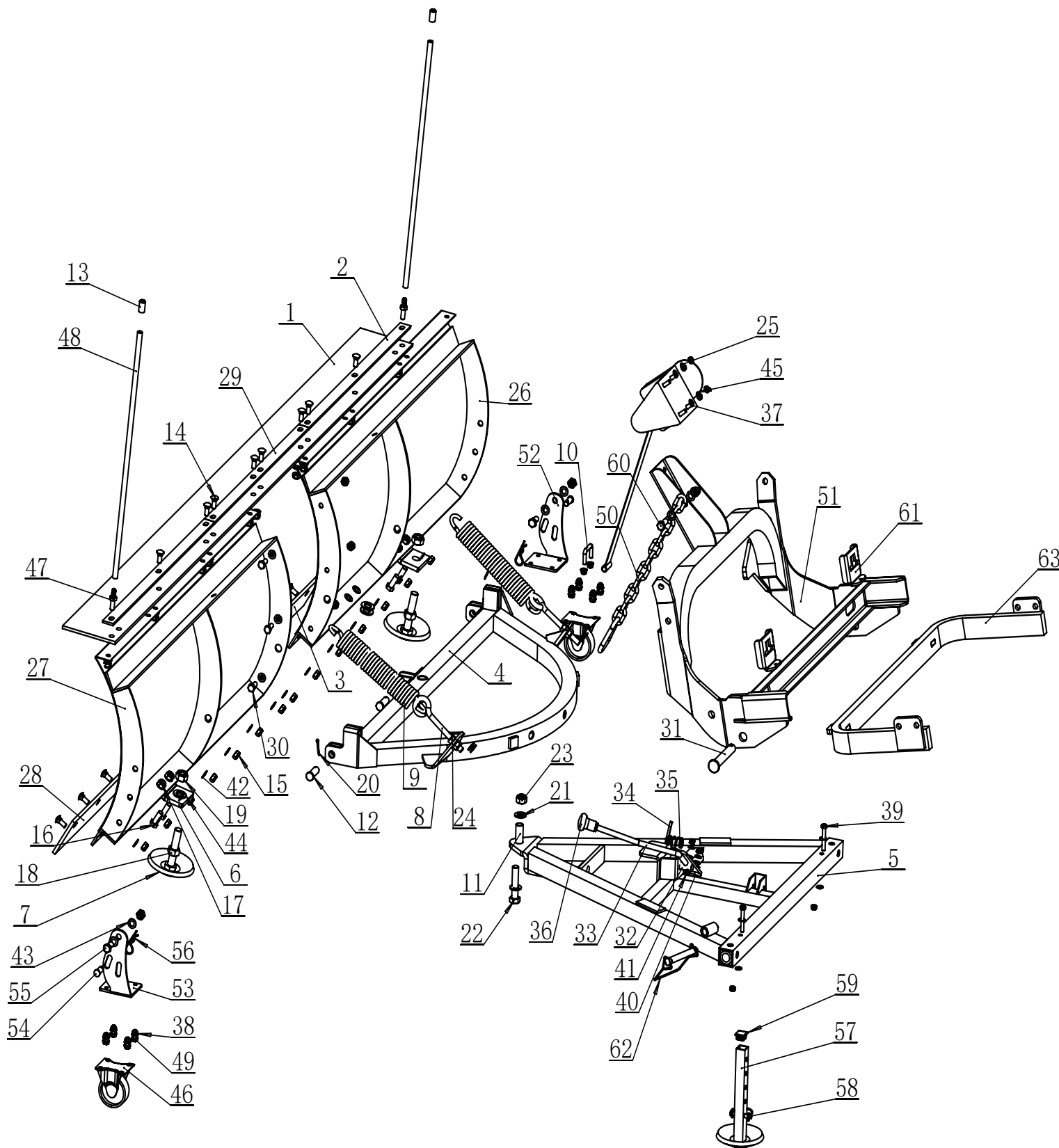
N°	DESCRIPTION	Qté.
1	Caoutchouc	1
2	Deflecteur	2
3	Grattoir (long)	1
4	Cadre en D	1
5	Cadre en A	1
6	Support de patin	2
7	Patin	2
8	Oeillet	2
9	Ressort	2
10	Boulon en U	1
11	Douille	1
12	Goupille d'étrier	3
13	Capuchon	2
14	Boulon de carrosserie M10 x 25 – grade 8	22
15	Écrou de nyloc M10	27
16	Écrou de nyloc M12	4
17	Écrou de nyloc M12	9
18	Écrou M18	2
19	Écrou de nyloc M18	2
20	Goupille d'étrier	3
21	Rondelle 16 mm	2
22	Boulon hex M6 x 75 – grade 8	1
23	Écrou de nyloc M16	1
24	Écrou M12	2
25	Treuil	1
26	Lame (droite)	1
27	Lame (gauche)	1
28	Grattoir (court)	2
29	Deflecteur	1
30	Boulon hex M10 x 25 – grade 8	3
31	Goupille de cadre	2
32	Goupille de verrouillage	1

N°	DESCRIPTION	Qté.
33	Goupille de verrouillage d'angle de lame	1
34	Goupille	1
35	Ressort	1
36	Manchon	1
37	Boulon hex M8 x 52 – grade 8	4
38	Boulon hex M8 x 52 – grade 8	18
39	Boulon hex M8 x 52 – grade 8	2
40	Boulon hex M8 x 52 – grade 8	1
41	Boulon hex M8 x 52 – grade 8	1
42	Rondelle 10 mm	30
43	Rondelle 12 mm	18
44	Rondelle 18 mm	4
45	Rondelle 8 mm	34
46	Roulette fixe	2
47	Boulon de balise	2
48	Balise	2
49	Boulon hex M8	8
50	Chaine	1
51	Support de cadre	1
52	Support de roulette (droite)	1
53	Support de roulette (gauche)	1
54	Goupille	2
55	Boulon hex M12 x 75 – grade 8	2
56	Goupille en B	2
57	Support de patin arrière avec pied	1
58	Cheville d'essieu	1
59	Capuchon	1
60	Boulon hex M12	1
61	Agrafe de sécurité	
62	Goupille de sécurité	2
63	Cadre transversale	1

**REMARQUE :** Quelques articles sont de taille variable en fonction de la longueur de la charrue. Quand vous commandez des pièces, assurez-vous de spécifier votre numéro de modèle de chasse-neige ainsi que le numéro d'article dans la liste des pièces.

# CHASSE-NEIGE STANDARD SCHÉMA

FRANÇAIS



# CHASSE-NEIGE SERIE ELITE LISTE DES PIÈCES

N°	DESCRIPTION	Qté.
1	Caoutchouc	1
2	Deflecteur	2
3	Grattoir (long)	1
4	Cadre en D	1
5	Cadre en A	1
6	Support de patin	2
7	Patin	2
8	Oeillet	2
9	Ressort	2
10	Boulon en U	1
11	Douille	1
12	Goupille d'étrier	3
13	Capuchon	2
14	Boulon de carrosserie M10 x 25 - grade 8	22
15	Écrou de nyloc M10	27
16	Écrou de nyloc M12	4
17	Écrou de nyloc M12	9
18	Écrou M18	2
19	Écrou de nyloc M18	2
20	Goupille d'étrier	3
21	Rondelle 16 mm	2
22	Boulon hex M16 x 75 - grade 8	1
23	Écrou de nyloc M16	1
24	Écrou M12	2
25	Lame (gauche)	1
26	Lame (droite)	1
27	Grattoir (court)	2
28	Deflecteur	1
29	Boulon hex M10 x 25 - grade 8	3
30	Goupille de cadre	2
31	Goupille de verrouillage	1
32	Goupille de verrouillage d'angle de lame	1
33	Goupille	1
34	Ressort	1
35	Manchon	1

N°	DESCRIPTION	Qté.
36	Boulon hex M8 x 52 – grade 8	2
37	Boulon hex M8 x 52 – grade 8	18
38	Boulon hex M8 x 52 – grade 8	1
39	Boulon hex M8 x 52 – grade 8	1
40	Rondelle 10 mm	30
41	Rondelle 12 mm	18
42	Rondelle 18 mm	4
43	Rondelle 8 mm	34
44	Roulette fixe	2
45	Boulon de balise	2
46	Balise	2
47	Boulon hex M8	8
48	Support de cadre	1
49	Support de roulette (gauche)	1
50	Support de roulette (droite)	1
51	Goupille	2
52	Boulon hex M12 x 75 grade 8	2
53	Goupille en B	2
54	Support de patin arrière avec pied	1
55	Cheville d'essieu	1
56	Capuchon	1
57	Agrafe de sécurité	2
58	Bras de pivotement de l'actionneur	1
59	Support de montage de l'actionneur	1
60	Actionneur électrique	1
61	Chaîne de levage	1
62	Écrou M2	3
63	Boulon hex (1/2"-13 x 2-1/2")	2
64	Boulon hex (1/2"-13 x 3")	1
65	Boulon hex M8 x 30	4
66	Goupille de sécurité de l'actionneur	1
67	Cadre transversale	1
68	Goupille de sécurité	1
69	Chaîne de sécurité	1
70	Boulon hex M12 x 30	1

**REMARQUE :** Quelques articles sont de taille variable en fonction de la longueur de la charrue. Quand vous commandez des pièces, assurez-vous de spécifier votre numéro de modèle de chasse-neige ainsi que le numéro d'article dans la liste des pièces.

# CHASSE-NEIGE SERIE ELITE SCHÉMA

FRANÇAIS

