

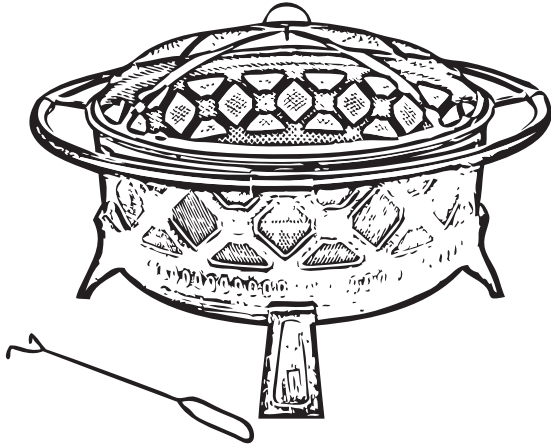


IMPORTANT: READ CAREFULLY BEFORE ASSEMBLING

1. Make sure that all parts and hardware are present before assembly.
2. Assemble on a non-marring and level surface.
3. Do not completely tighten all bolts until the fire pit is fully assembled.









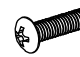


GOLDEN DAWN FIRE PIT

ITEM #: TX 93531

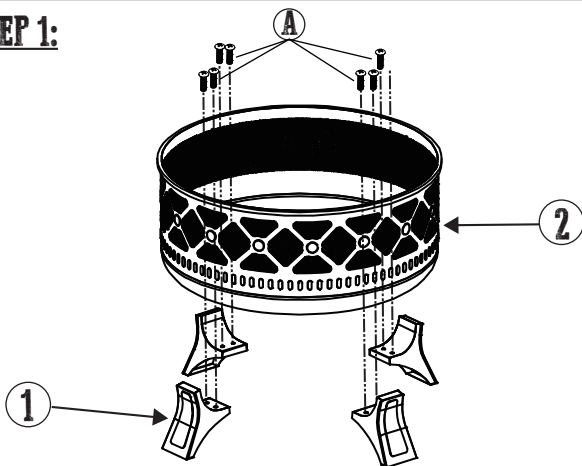


Power tools are not recommended while assembling this product.

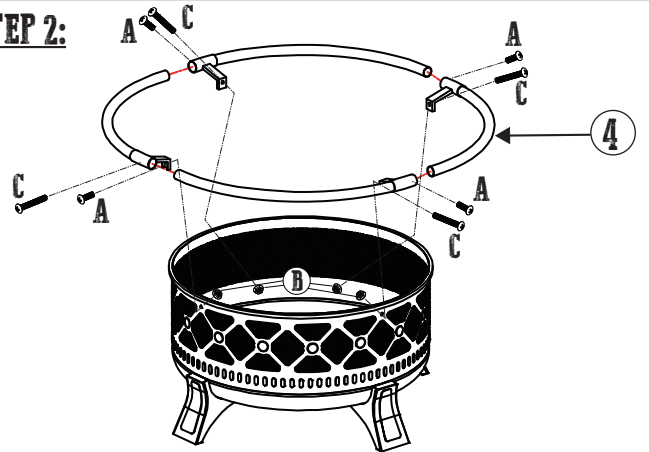
PARTS AND HARDWARE LIST

PARTS AND HARDWARE LIST		
① LEG	② BODY	③ MESH COVER
LEG  X 4PCS	 X 1PC	MESH COVER  X 1PC
④ RING	⑤ HANDLE	⑥ POKER
 X 4PCS	 X 1PC	 X 1PC
Tools Required for Assembly		
 Socket & Wrench	 Phillips Screwdriver	
Ⓐ BOLT	Ⓑ NUT	Ⓒ BOLT
 X 12PCS	 X 5PCS	 X 4PCS

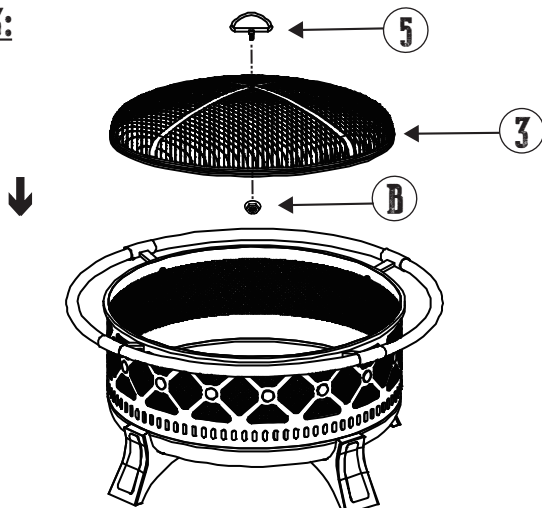
STEP 1:



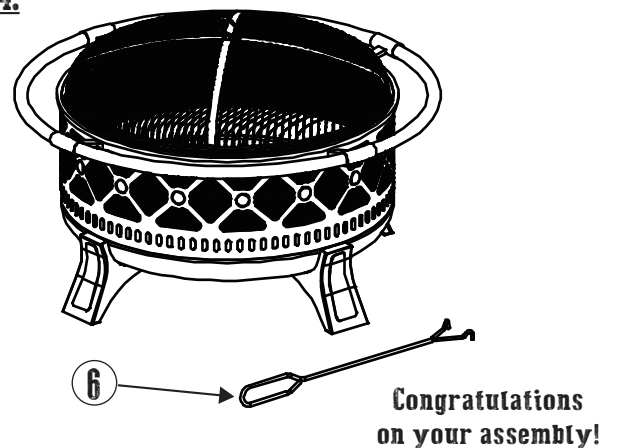
STEP 2:



STEP 3:



STEP 4:



SAFETY INSTRUCTION

READ ALL SAFETY WARNINGS AND INSTRUCTIONS CAREFULLY BEFORE ASSEMBLING AND USING YOUR FIRE PIT.

1. Only use this fire pit on a level, stable, solid, and non-combustible surface that can support the weight of the fire pit and its contents.
2. Ensure that there is a proper clearance of 12 feet between the fire pit and any combustible materials such as trees, brush, wooden fences, and etc.
3. Keep the fire pit away from flammable liquids, gases, or vapors when in use or while warm. Do not use flammables to light wood or charcoal.
4. This fire pit is for **OUTDOOR** use only; do not use in indoor or enclosed areas.
5. Use extreme caution when the fire pit in use, the surface is **HOT!**
6. Do not leave this fire pit unattended while in use or while it is warm.
7. Protect yourself by using heat resistant gloves when touching the fire pit, especially after use. The surface may be **HOT.**
8. Keep children and pets at a safe distance from the fire pit while in use or when warm.
9. Never move the fire pit when it's in use or when it's warm.
10. Use caution and common sense when using, moving, or when cleaning the fire pit.

FAILURE TO FOLLOW THE SAFETY WARNINGS AND USE OF CAUTION WHILE USING YOUR FIRE PIT, MAY RESULT IN BODILY INJURY OR PROPERTY DAMAGE.

SAVE THIS PAGE FOR FUTURE REFERENCE.

ONE (1) YEAR LIMITED WARRANTY (NON-TRANSFERABLE)

This product is covered under United General Supply's (UGS) one (1) year limited warranty. To the original purchaser of this fire pit: UGS warrants that it will be free from defects in material and workmanship for up to one year from the date of purchase under normal use and proper care. The limited warranty does not cover for commercial use, abusive use, damage by modification, severe weather damage, normal wear and tear such as scratching of the surface, heat damage, rust, and improper assembly and maintenance.

For returns and refunds, please refer to your local store return policy with proof of purchase.

Proof of purchase (dated receipt) will be required for warranty claims.

The use of power tools during assembly may void this warranty.

PROPER CARE INSTRUCTIONS

If rust appears, buff the affected area with a steel wool and then touch up with a quality high temperature resistant paint.

Customer Service may be reached Monday through Friday from 9:00a.m. to 5:00p.m. CST.

HELP@UGSCO.COM OR 1-877-87LEIGH (53444)

Leigh Country
Authentic Country® Living 

**DISTRIBUTED BY:
UNITED GENERAL SUPPLY CO., INC.
HOUSTON, TX 77036**

www.LeighCountry.com