

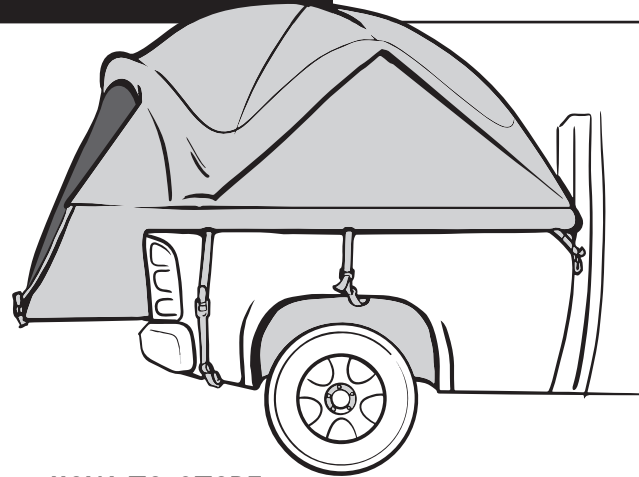


INSTRUCTIONS

SPORTZ

TRUCK TENT
57 SERIES

BEFORE YOU BEGIN



CAMPSITE SELECTION

- Select a smooth, level campsite clear of rocks, branches, and other hard or sharp objects
- Avoid areas with overhead power lines and tree limbs
- Park the vehicle in the chosen campsite
- Turn the engine off and engage the parking brake

HOW TO STORE

1. Clean and dry the tent
2. Fold all of the components into the tent
3. Roll the tent, using the pole bag as a guide
4. Secure with the tent tie straps and insert into the carrying bag
5. Store in a cool, dry place

WARRANTY INFORMATION

Napier tents have a one (1) year warranty period from the time of purchase against defects in improper workmanship. Normal wear and tear, seam leakage through needle holes, and improper use, abuse, or alteration are not covered under the warranty policy. Napier Outdoors will replace or repair defective parts. Replacement parts may be new or re-built at Napier's sole discretion. E-Warranty claim forms can be completed online at www.napieroutdoors.com/warranty. Proof of purchase (receipt) must be provided. If you do not provide proof of purchase, or if your warranty period has ended, replacement parts can be purchased.

To order replacement parts, contact Napier Outdoors at 800-567-2434 (9:00 am – 5:00 pm EST), visit www.napieroutdoors.com, or email customerservice@napieroutdoors.com

CAUTION

- Do not use candles, matches, or open flames of any kind in or near the tent
- Do not cook inside the tent
- Build campfires downwind and several meters away from the tent. Be sure to fully extinguish fires before leaving a campsite or before retiring for the night
- Exercise extreme caution when using fuel-powered lanterns or heaters inside or around the tent. Use battery-operated lanterns whenever possible
- Do not refuel lamps, heaters, or stoves inside the tent
- Extinguish or turn off all lanterns before going to sleep
- Do not smoke inside the tent
- Do not store flammable liquids inside the tent
- NEVER run the vehicle engine when the tent is attached
- Do not install the tent when the temperature is below 0°C/32°F or when your vehicle is wet, it may cause damage
- Allow adequate ventilation inside the tent at all times
- Do not attempt to drive the vehicle with the tent attached

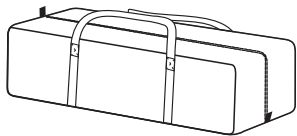
⚠️ WARNING

- Keep all flame and heat sources away from the tent fabric. The tent is made with flame-resistant fabric which meets CPAI-84 specifications. This does not make it fireproof. The fabric will burn if left in contact with any flame source. The application of any foreign substance to the tent fabric may render the flame-resistant properties ineffective.
- To prevent carbon monoxide from entering the vehicle and tent area, do not run the engine, do not cook inside the tent, and do not use a gas heater in the tent. Carbon monoxide is dangerous to your health.
- Engine must be off and exhaust must be fully cooled before tent installation and use.

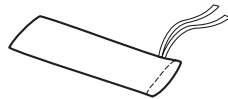
PACKAGE CONTENTS

If you are missing parts, please contact Napier Outdoors at 800-567-2434 | Monday - Friday or email customerservice@napieroutdoors.com

Remove contents from the bag and ensure you have all components listed below.



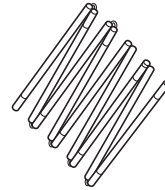
TENT BAG



POLE BAG

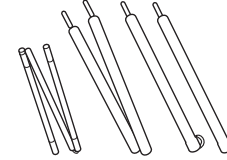


STAKE BAG



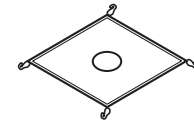
TENT POLES (6)

Blue (2)	150-178"	Corner-To-Corner
Green (1)	67-75"	Side-to-Side
Grey Short (1)	82-89"	Rear Cab
Grey Long (1)	149-153"	Vestibule/Tailgate
Black (1)	82-115"	Inside



AWNING POLES (6)

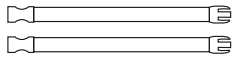
Navy Blue (2) Fiberglass: Inside
Blue (2) Steel: Top
Blue (2) Steel: Bottom



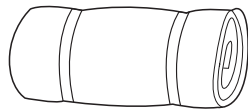
GEAR LOFT



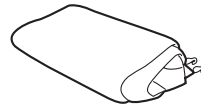
GUY LINES (4)



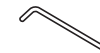
TENT TIE STRAPS (2)



TENT



RAINFLY



STAKES (4)



AWNING POLE CAPS (2)

TENT SET UP

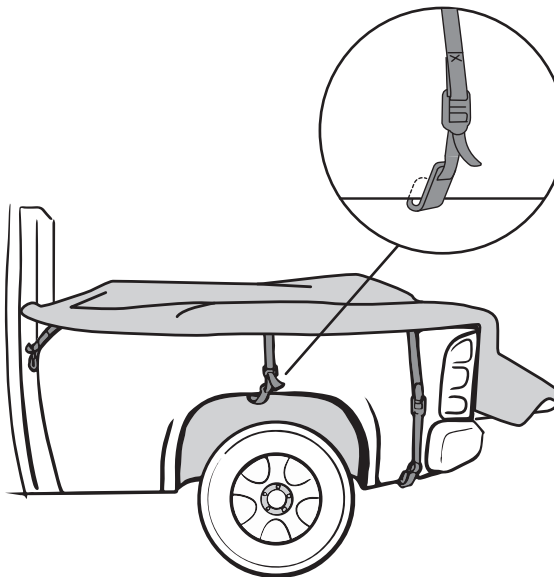
NOTE: Do not attach pole clips until all poles are in place in their pockets (step 7). Failure to do so will create too much tension and may cause pole to break.

For an easier assembly, set the tent up on the ground, completing steps 1-3 last.

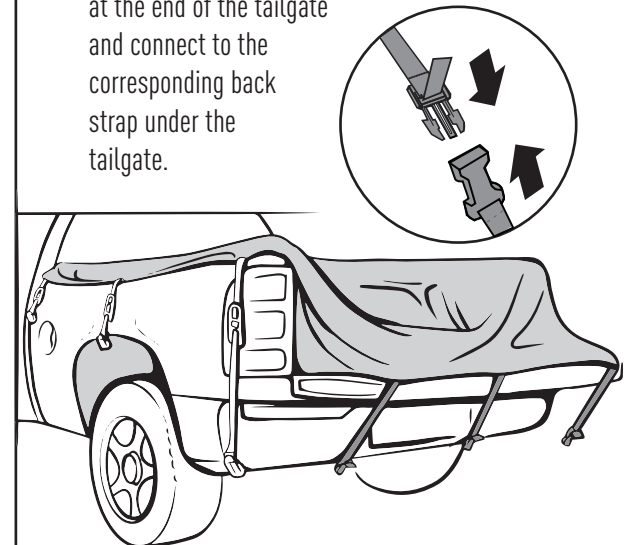
1 Lay the tent flat inside the bed of the truck, ensuring the front door is at the tailgate.



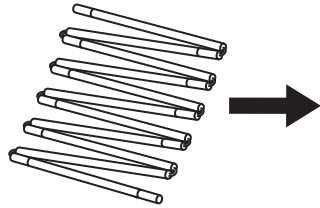
2 Locate the tent side straps (3 per side) and loosely attach each to the truck's body.



3 Locate the tent tailgate straps (3). Slide the 3 back straps between the truck box and the tailgate (you may need to lift the tailgate). Locate the front straps at the end of the tailgate and connect to the corresponding back strap under the tailgate.



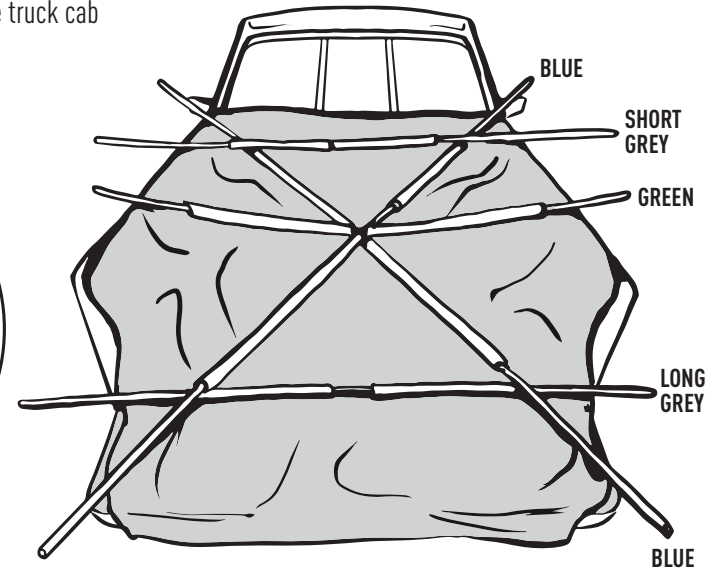
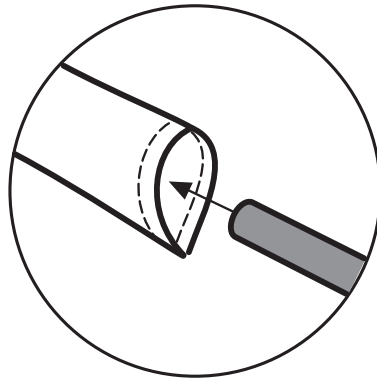
- 4** Assemble the tent poles by unfolding each section.



POLE	LOCATION
Blue Poles	Corner-to-Corner
Green Pole	Side-to-Side
Grey Short Pole	Rear Cab
Grey Long Pole	Vestibule/Tailgate
Black Pole	Front-to-Back (inside)

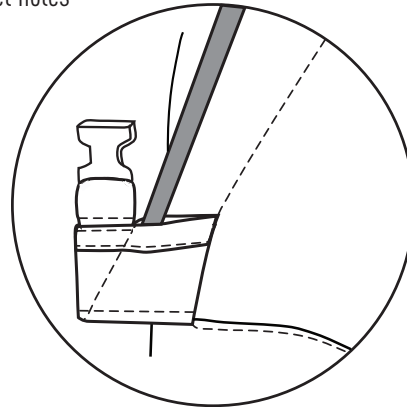
- 5** Insert the poles into the corresponding color sleeve in the following order (**do not place the poles in the corner pockets at this time**):
- BLUE pole diagonally, corner-to-corner on the roof of the tent. Repeat with the other blue pole
 - GREEN pole side-to-side on the roof of the tent. The green pole should be on top of the blue poles
 - SHORT GREY pole side-to-side at the back of the tent, near the truck cab
 - LONG GREY pole side-to-side at the front (tailgate) of the tent.
- Ensure the tailgate pole is even on both sides.

NOTE: The poles may get stuck in the sleeve. Do not force them – gently guide the pole through the fabric sleeve.

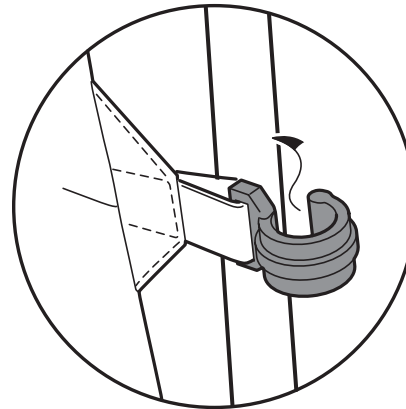


- 6** Insert each pole into the corresponding colored pocket in the following order:
- GREEN (side-to-side) pole into webbing pocket above the windows
 - BLUE (corner-to-corner) pole into the pocket near the truck cab. Insert the other end into the pocket by the tailgate. Repeat with the other blue pole
 - SHORT GREY (rear cab) pole into the grommet holes
 - LONG GREY (tailgate) pole
 - BLACK (inside front-to-back) pole. Secure the pole to the tent using the Velcro tabs

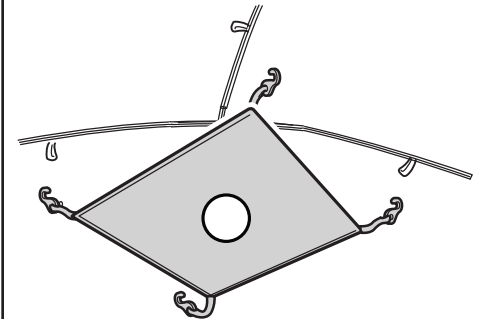
NOTE: Ensure tailgate pole is set-up on the outside of the tailgate wires. (If pole is set up inside the tailgate wires it will create too much tension and may cause pole to break).



- 7** Once the tent is fully raised, attach the pole clips to the poles.

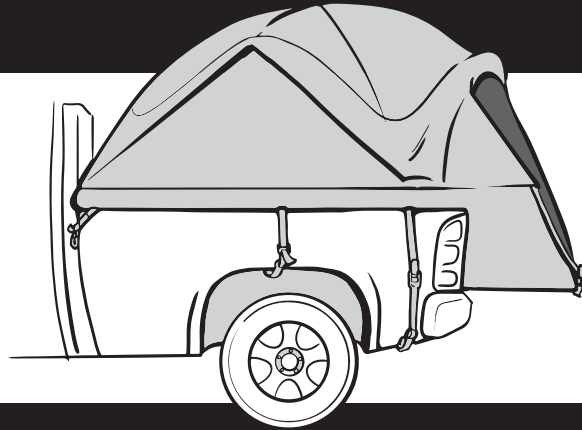


- 8** If the tent straps on the side of the truck are too loose, pull to tighten. Ensuring not to make them too tight.
- 9** To install the gear loft, place each corner hook of the gear loft into the loop located on the ceiling of the tent.

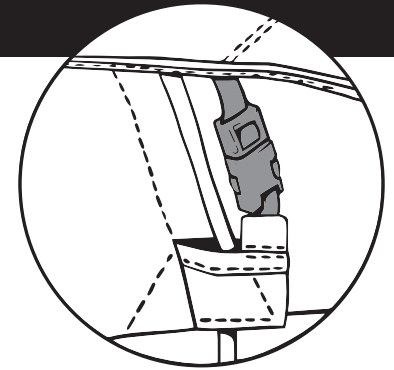


ATTACHING THE RAINFLY

- 10 Locate the back of the rainfly that goes towards the cab of the truck (there will be a zippered access panel at this end) and drape over the tent.



- 11 Secure the rainfly strap clips to the tent (2 per side and 2 at the tailgate) and tighten if necessary.



SETTING UP THE AWNING

NOTE: Roll up the awning and secure with the toggles when not in use.

- 12 Unfold each section of the NAVY BLUE fibreglass awning poles. Insert the poles into the ceiling of the awning, forming an X. Place the poles into the pockets at the corners of the awning.
- 13 A. Unfold the top steel awning pole.
B. Ensure the clasp is OPEN before connecting the poles.
C. Insert the top steel pole into the bottom pole (bottom pole has the plastic clasp).
D. Adjust the height of the pole and close the clasp.
- 14 Place the pin located at the bottom of the awning pole into the grommet hole at the tailgate of the tent. Place the top end of the pole into the grommet hole at the top corner of the awning.
- 15 Locate the straps on the corners of the awning and secure to the clip at the tailgate of the tent (beside the pole grommet hole).

OPTIONAL:

- 16 Secure the awning to the ground using 1 – 2 guy lines. Place the ring end of the guy line over the pole pin located at the top of the awning. Place the awning cap over the pin.
- 17 Stake the bottom loop on the plastic slider of guy line (figure A) with a peg. Adjust the length of the rope by pushing the plastic slider upwards until the line is tight (figure B).

