

 HEAT STORM®

User Manual

and Safety Instructions



Tradesman Outdoor Heater

1500 WATT | CARBON FIBER INFRARED ELEMENT

MODEL:
HS-1500-TRC

SAVE THIS INSTRUCTIONS MANUAL

TABLE OF CONTENTS:



Introduction..... 1



Safety Awareness..... 2



Operations & Controls 4



Installation 5



Parts List..... 6



Return Policy 11



1 Year Limited Warranty 12

IF WARRANTY SERVICE IS NEEDED

Contact the manufacturer by calling the customer service department at **435-752-6611**. Make sure you have your sales receipt, the location of purchase, and the model of your product.

When you contact customer service, they will attempt to troubleshoot the problem with you over the phone. If troubleshooting does not work, you will be asked to email proof of purchase and a picture of the manufacturer sticker to **cs@heatstorm.com**

If you have had your unit longer than the return policy (30 days), you will be expected to pay for shipping the heater back to us. If you would like to use our discounted shipping rates, please let your customer service representative know.

Please be advised that once we receive your unit, it may take a couple of business days for our technicians to determine if your unit can be fixed. If your unit can be fixed, the technicians will do so. You will only receive a new unit if your heater is not repairable.



Introduction

Thank you and congratulations on the purchase of your Heat Storm™ Infrared Heater!

PLEASE READ THIS MANUAL BEFORE OPERATING THIS APPLIANCE.



WARNING:



IF THE DIRECTIONS IN THIS MANUAL ARE NOT FOLLOWED, AN ELECTRIC SHOCK OR FIRE MAY RESULT CAUSING PROPERTY DAMAGE, PERSONAL INJURY OR LOSS OF LIFE.



DO NOT STORE OR USE GASOLINE OR OTHER FLAMMABLE VAPORS AND LIQUIDS IN THE VICINITY OF THIS OR ANY OTHER HEATING APPLIANCE.



ANY REQUIRED SERVICE OTHER THAN FILTER MAINTENANCE SHOULD ONLY BE PERFORMED BY AN AUTHORIZED SERVICE REPRESENTATIVE.



Any other repairs attempted by anyone other than an authorized service representative will void the warranty.



Safety & Awareness

IMPORTANT SAFETY INSTRUCTIONS

WARNING: When using electrical appliances, basic precaution should always be followed to reduce the risk of fire, electric shock, and injury to persons, including the following:

- Read all instructions before installing or using this heater.
- This heater is hot when in use. To avoid burns, do not let bare skin touch hot surfaces. Keep combustible materials, such as furniture, pillows, bedding, papers, clothes, etc. and curtains at least 3 feet (0.9 m) from the front of the heater and keep them away from the sides.
- Extreme caution is necessary when any heater is used by or near children or invalids and whenever the heater is left operating and unattended.
- Always unplug heater when not in use.
- DO NOT operate any heater with a damaged cord or plug after the heater malfunctions, has been dropped or damaged in any manner. Return heater to authorized service facility for examination, electrical or mechanical adjustment or repair.
- Remove product from the packaging and ensure it is in good condition.
- DO NOT let children play with the packaging, for example plastic bags.
- Check that the voltage and frequency of your appliance match your mains voltage before plugging in.
- This heater is hot when in use. To avoid burns DO NOT touch the grills or heating element during use or attempt to move the heater.
- DO NOT touch the heater with wet hands.
- DO NOT operate any heater with a damaged cable or plug, or after the heater malfunctions, has been dropped, or damaged in any manner. Return the heater to an authorized service facility for examination and repair.
- DO NOT attempt to repair or adjust any electrical or mechanical functions as this may void warranty.
- DO NOT insert or allow objects to touch the heating element and never place anything on the heater safety guard (e.g. towels), as this may damage the heater and could cause an electrical shock or fire. Never use your heater to dry washing.
- If the heating element has stopped glowing it may still be live, please check that the heat setting indicates the heater is off. Always disconnect your appliance from the mains before any cleaning or replacing tubes.
- DO NOT use the heater in areas where petrol, paint, or other flammable substances are stored.
- Always unplug the heater when not in use. To disconnect from the power supply, grip the plug and pull from the power socket. Never pull by the cable.

- DO NOT direct the heater towards curtains, furniture or other flammable objects and ensure that there is a minimum distance from objects around (see figure 1. figure 2.).
- DO NOT use this heater in conjunction with a timer device or any other device, which facilitates unattended switch on
- DO NOT pull the power cable or the device itself to unplug it from the socket; pull the plug directly.
- The power cable must fully unwound before use.
- If the supply cable is damaged, it must be replaced by the manufacture, its service agent or similarly qualified person in order to avoid a hazard.
- This product is not designed for use by persons (including children) who have reduced physical, sensory or mental capacities or persons with no experience or knowledge, unless they are instructed and supervised in the use of the appliance by a person responsible for their safety.
- Children should be supervised to ensure that they DO NOT play with appliance.
- This heater must be mounted in a high position which is not less than 72 inches (1.8m) for U.S market and 98 inches (2.4m) for Canada market from the floor, and must keep a minimum clearance to adjacent combustibles from top: 24 inches (0.6m) from sides: 18 inches (0.45m).
- This heater is not intended for use in bathrooms, laundry areas and similar indoor locations. Never locate heater where it may fall into a bathtub or other water container.
- DO NOT run cord under carpeting - DO NOT cover cord with throw rugs, runners, or the like. Arrange cord away from traffic area and where it will not be tripped over.
- To disconnect heater, turn controls off, then remove plug from outlet.
- Connect to properly grounded outlets only.
- DO NOT insert or allow foreign objects to enter any ventilation or exhaust opening as this may cause an electric shock or fire, or damage the heater.
- To prevent a possible fire, do not block air intakes or exhaust in any manner. DO NOT use on soft surfaces, like a bed, where openings may become blocked.
- A heater has hot and arcing or sparking parts inside. DO NOT use it in areas where gasoline, paint, or flammable liquids are used or stored.
- Use this heater only as described in this manual. Any other use not recommended by the manufacturer may cause fire, electric shock, or injury to persons.
- Avoid the use of an extension cord because the extension cord may overheat and cause a risk of fire. However, if you have to use an extension cord, the cord shall be No.16 AWG minimum size and rated not less than 1500 watts.
- Make sure the heater is supplied by the branch-circuit fitted with one 20 amperes over current protection.
- KEEP THESE INSTRUCTIONS.



Operations & Controls

WARNING

- Do not use the heater directly near a bathtub, a shower or swimming pool.
 - Never plug the appliance into the socket with wet hands.
1. Before plugging in heater, turn switch to off position.
 2. Firmly plug power cord into a socket.
 3. Turn on/off with heater switch.

CLEANING & MAINTENANCE

WARNING:

- Before cleaning, unplug from the power supply and wait a few minutes to cool down.
- This heater contains no moving parts, it needs very little maintenance. However, when the heater builds up heavy dirt, use a soft cloth to wipe it off.

HEATING ELEMENT REPLACEMENT

- If the heating element malfunctions and needs to be replaced, it should only be changed by a service agent.



Installation

PRECAUTION:

- Installation should always be carried out by a qualified electrician or a competent person.
- The energy supply must be done through a properly grounded socket.
- The heaters should always be installed horizontally and should always only use the mounting brackets or chains provided.
- The heater should not be facing the ceiling or inflammable substances.
- The heater must be installed so as to prevent that the switches can be touched from those who are in the shower.
- Do not use the heater directly near a bathtub, a shower or a swimming pool.
- Ensure that there is no possibility of inflammable material coming into contact with the heater, or lies near the heater.
- Heaters should not be installed in areas where hazardous vapors may be present. Defined in BS5345.
- The heaters are fitted with safety guards. These are intended only to stop large objects from hitting the emitters. On no account should the heater be operated with the guard removed.

WALL MOUNTING

ONLY USE SUPPLIED BRACKETS.

1. Ensure the power cable does not touch the reflector of the heater or hangs into the heated area.
2. Ensure the power cable can reach an indoor socket. Do not twist or bend the power cable.
3. This heater is IPX4 protection, and can be used indoors or outdoors. If using outdoors and you need an extend socket, the cable and the socket system must be waterproof.



PARTS LIST HS-1500-TRC











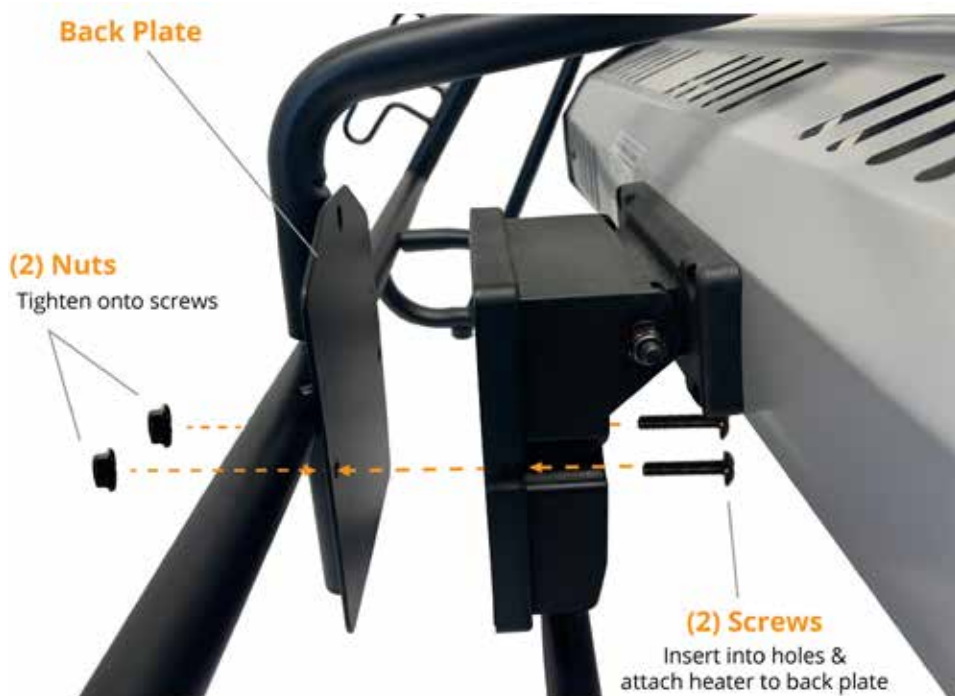
Part No.	Part name	QTY	Pictures	
●	Roll Cage Accessory 1	1		
●	Roll Cage Accessory 2	1		
●	Roll Cage Accessory 3	2		
●	Roll Cage Accessory 4	2		
●	Roll Cage Accessory 5	1		
●	Roll Cage Accessory 6	1		
●	M6 × 30 Screw	13		
●	M6 Nuts	5		
●	M4 × 20 Screw	2		
●	M4 Nuts	2		

Diagram 1

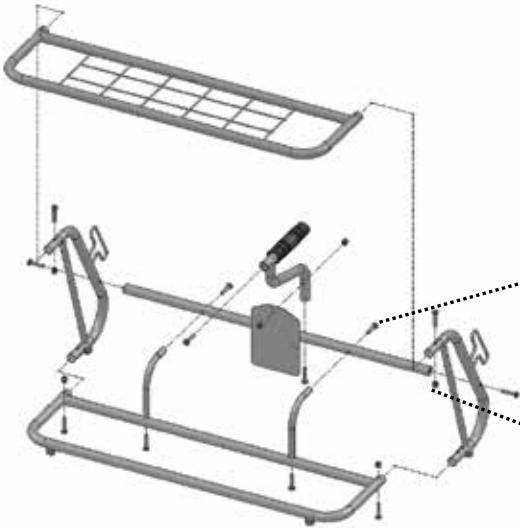


Diagram 2



Assembly Instruction for Roll Cage with Heater Body

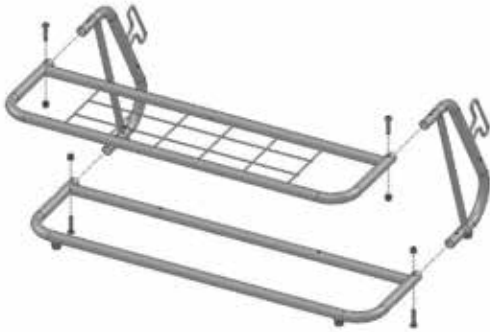
1



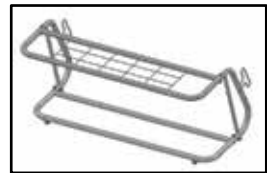
PM6 × 30 Screw	13 Pcs
M6 Nuts	5 Pcs



2

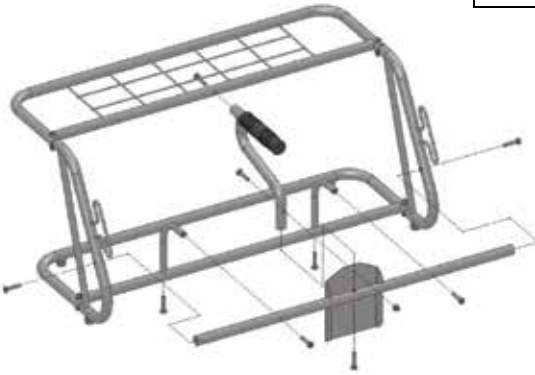


Roll Cage Accessory 1	1 Pcs
Roll Cage Accessory 2	1 Pcs
Roll Cage Accessory 3	2 Pcs
M6 × 30 Screw	4 Pcs
M6 Nuts	4 Pcs



3

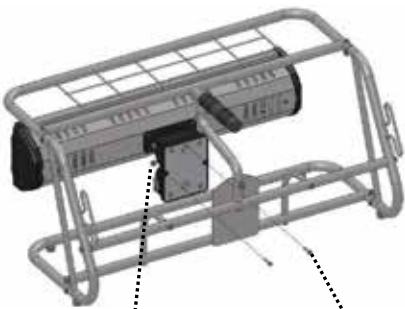
Roll Cage Accessory 4	2 Pcs
Roll Cage Accessory 5	1 Pcs
Roll Cage Accessory 6	1 Pcs
PM6 × 30 Screw	8 Pcs
M6 Nuts	1 Pcs



Roll Cage Finished

4

Heater Body	1 Pcs
Roll Cage	1 Pcs
M4 × 20 Screw	2 Pcs
M4 Nuts	2 Pcs



M4 Nuts

M4 × 20 Screw



Finished



Return Policy

If you purchased the heater directly from Energy Wise Solutions we will refund the total sales amount when merchandise is received:

- 1) In new condition
- 2) Packed in its original manufacturers box and all original packaging material included
- 3) Original manuals and any accessories that came with the item also included

Manufacturer Return Policy:

If you have purchased a product that needs an Exchange, Refund or Warranty claim the buyer will be responsible for all rates/shipping charges after 30 days of the purchase date.



1 Year Limited Warranty

MODELS: All models and accessories

The manufacturer warrants this product to be free from manufacturing and material defects for a period of one year from date of purchase, subject to the following conditions and limitations.

1. Install and operate this electric heater in accordance with the installation and operating instructions furnished with the product at all times. Any unauthorized repair, alteration, willful abuse, accident, or misuse of the products shall nullify this warranty.
2. This warranty is non-transferable and it's made to the original owner, provided that the purchase was made through an authorized supplier of the product.
3. The warranty is limited to the repair or replacement of part(s) found to be defective in material or workmanship, provided that such part(s) have been subjected to normal conditions of use and service after said defect is confirmed by the manufacturers inspection.
4. The manufacturer may, at its discretion, fully discharge all obligations with respect to this warranty by refunding the wholesale price of the defective part(s).
5. Any insulation, labor, construction, transportation, or other related costs/expenses arising from defective part(s), repair, replacement, or otherwise of same, will not be covered by this warranty, nor shall the manufacturer assume responsibility for same.
6. The owner/user assumes all other risks, if any, including the risk of any direct, indirect or consequential loss or damage arising out of the use, or inability to use the product, except as provided by law.

7. All other warranties – expressed or implied – with respect to the product, its components, and accessories, or any obligations/liabilities on the part of the manufacturer are hereby expressly excluded.

8. The manufacturer neither assumes nor authorizes any third-party to assume on its behalf, any other liabilities with respect to the sale of the product.

9. The warranties as outlined in this document do not apply to non-accessories used in conjunction with the installation of this product.

10. This warranty gives you specific legal rights, and you may also have other rights which vary from state to state. This warranty is void if:

A) The heater is subjected to prolonged periods of dampness or condensation.

B) Any unauthorized alteration, willful abuse, accident, or misuse of the product.

C) You do not have the original receipt of purchase.

NEED HELP?

call us:



435-752-6611

mail us:



cs@heatstorm.com

Visit us at:

heatstorm.com

for more product information