



DO NOT RETURN TO STORE  
Call: 1-800-950-4458  
www.chapinmfg.com

MIXES  
ON-EXIT  
**ATV SPRAYER**

Use and Care Manual

**1 YEAR**  
LIMITED  
WARRANTY

See website for warranty details



15 Gallon



25 Gallon

**Chapin International, Inc**

P.O. Box 549 700 Ellicott St.  
Batavia, NY 14021-0549 U.S.A.

1-800-950-4458 www.chapinmfg.com

Models: 97361, 97561, 97562, 97661E, 97761E

**⚠ WARNING ⚠**

**Carefully Read These Instructions Before Use**

016028R0623

**⚠ WARNING ⚠**

**IMPROPER USE OR FAILURE TO FOLLOW INSTRUCTIONS CAN RESULT IN EXPLOSIVE FAILURE CAUSING SERIOUS EYE OR OTHER INJURY.**

FOR SAFE USE OF THIS PRODUCT YOU MUST READ AND FOLLOW ALL INSTRUCTIONS. DO NOT LEAVE SPRAYER IN THE HOT SUN. HEAT CAN CAUSE PRESSURE BUILD-UP RESULTING IN POSSIBLE EXPLOSION. DO NOT STORE OR LEAVE SOLUTION IN TANK AFTER USE. ALWAYS WEAR GOGGLES, GLOVES, LONG SLEEVE SHIRT, LONG PANTS AND FULL FOOT PROTECTION WHEN SPRAYING.

DO NOT ATTEMPT TO MODIFY THIS SPRAYER. REPLACE PARTS ONLY WITH MANUFACTURER'S ORIGINAL PARTS.

**NEVER SPRAY FLAMMABLE, CAUSTIC, ACIDIC, CHLORINE, BLEACH, PETROLEUM BASED OR OTHER CORROSIVE SOLUTIONS OR HEAT, PRESSURE, OR GAS PRODUCING CHEMICALS. ALWAYS READ AND FOLLOW CHEMICAL MANUFACTURER'S INSTRUCTIONS BEFORE USE WITH THIS SPRAYER AS SOME CHEMICALS MAY BE HAZARDOUS WHEN USED WITH THIS SPRAYER.**

**ENSURE THE WIRING HARNESS DOES NOT BECOME PINCHED OR DAMAGED IN ANY WAY. THIS MAY DAMAGE THE PUMP OR CAUSE THE WIRING HARNESS TO OVERHEAT, RESULTING IN MELT DOWN OR FIRE.**

**SOME CHEMICALS WILL DAMAGE THE PUMP VALVES IF ALLOWED TO SOAK UNTREATED FOR A LONG PERIOD OF TIME. ALWAYS FLUSH THE PUMP WITH WATER AFTER USE. DO NOT ALLOW CHEMICALS TO SIT IN PUMP FOR EXTENDED TIMES OF IDLENESS. FOLLOW CHEMICAL MANUFACTURERS INSTRUCTIONS ON DISPOSAL OF ALL WASTE WATER FROM THE SPRAYER.**

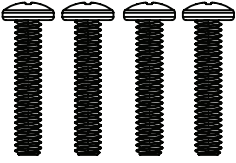
**USE WATER BASED CHEMICALS ONLY.**

**CAUTION**

**THIS SPRAYER HAS BEEN DESIGNED TO BE ATTACHED TO STABLE SURFACES.**

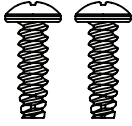
## CONTENTS- NOT TO SCALE

### SPRAYER HARDWARE



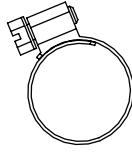
**H-1**

Phillips Head Screw



**H-2**

Phillips Head Screw



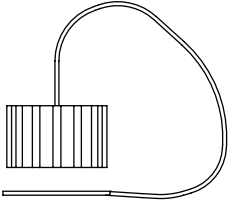
**H-3**

Worm Gear Clamp



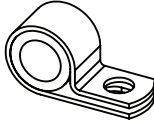
**H-4**

Wand Clamp



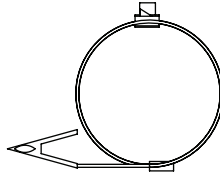
**H-5**

Drain Cap w/ Lanyard



**H-6**

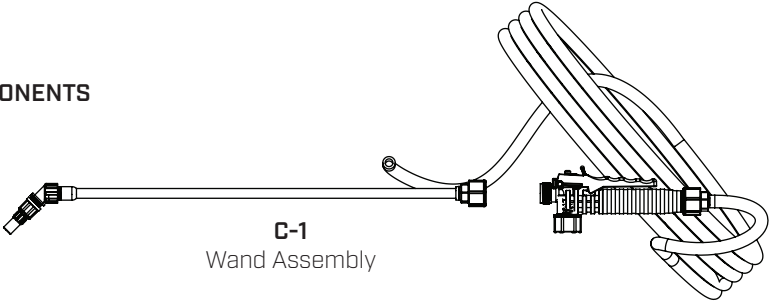
Loop Clamp



**H-7**

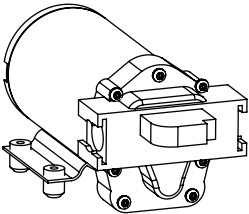
Lead Wire Assembly

### SPRAYER COMPONENTS



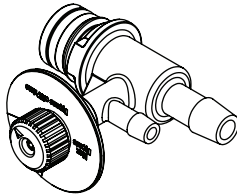
**C-1**

Wand Assembly



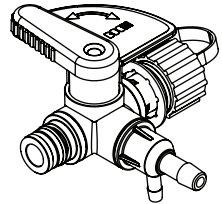
**C-2**

Pump



**C-3**

External Bypass



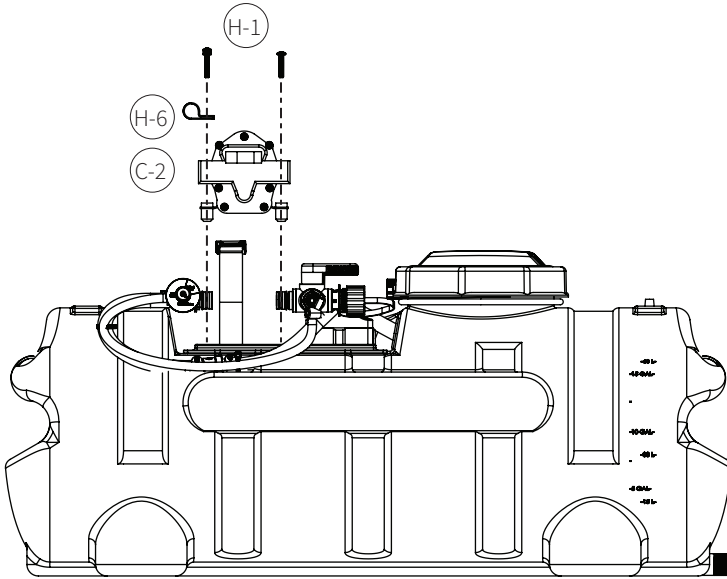
**C-4**

Flow Director Valve

**NOTE:** not all components shown may be needed on your model.

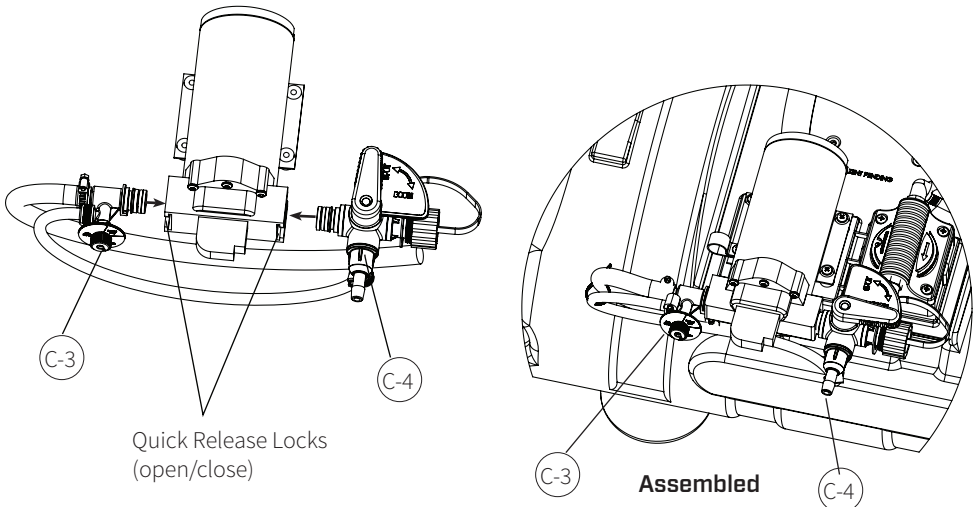
## ASSEMBLE PUMP TO TANK

Using H-1 screws, fasten pump [C-2] to face plate with loop clamp [H-6] inserted between pump and front left screw. **NOTE:** Do not over-tighten screws.



## INSTALL EXTERNAL BYPASS AND FLOW DIRECTOR VALVE

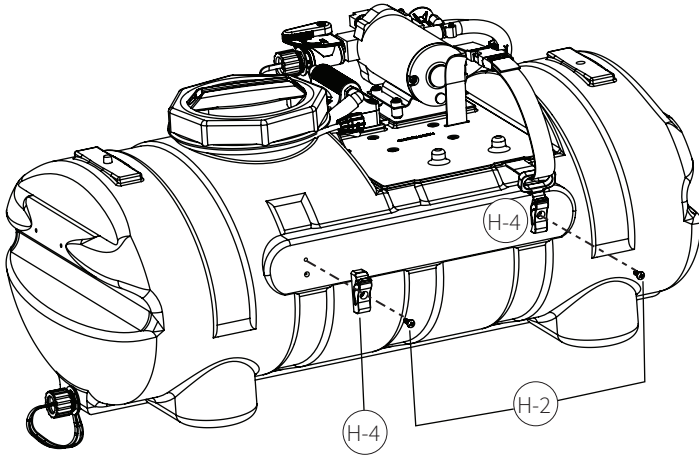
Install external bypass [C-3] and flow director valve [C-4] into pump quick release ports; engage quick release locks. Note: to ensure a good seal, a tight fit is used; significant hand force may be necessary to install bypass fittings.



## INSTALL WAND CLIPS

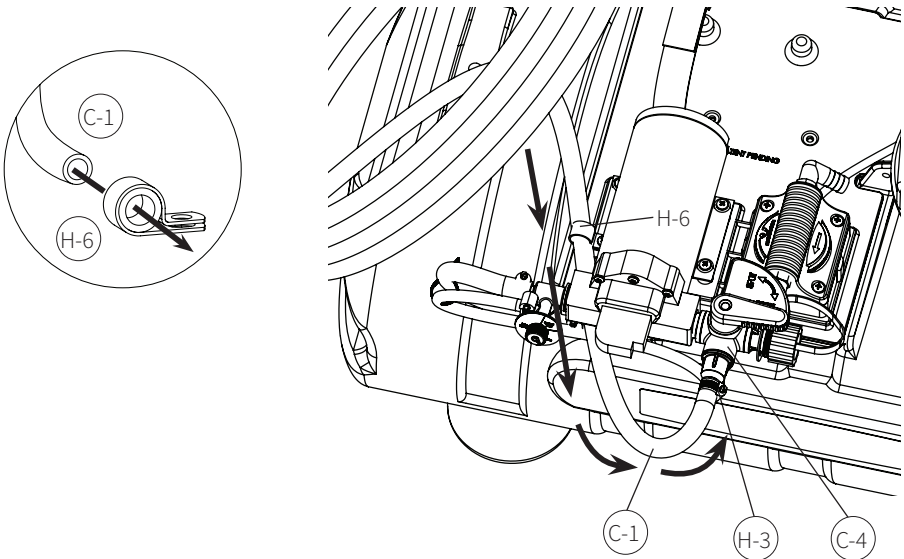
Install wand clip (H-4) and wand clip from nylon strap (as shown above) with screws (H-2).

**Note:** The wand clip shown to the right can be found hanging from the nylon strap.



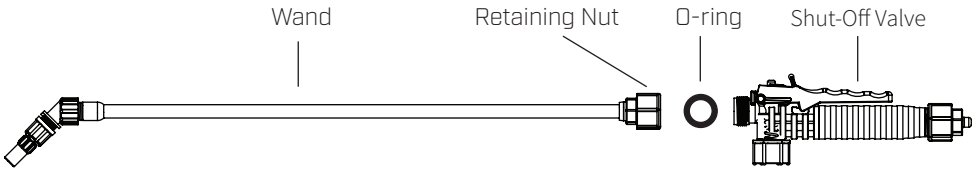
## ATTACH HOSE TO DIVERTING VALVE

Guide wand hose (C-1) through loop clamp (H-6) and attach hose (C-1) to diverting valve (C-4) with hose clamp (H-3). Tighten clamp (H-3).



## WAND ASSEMBLY

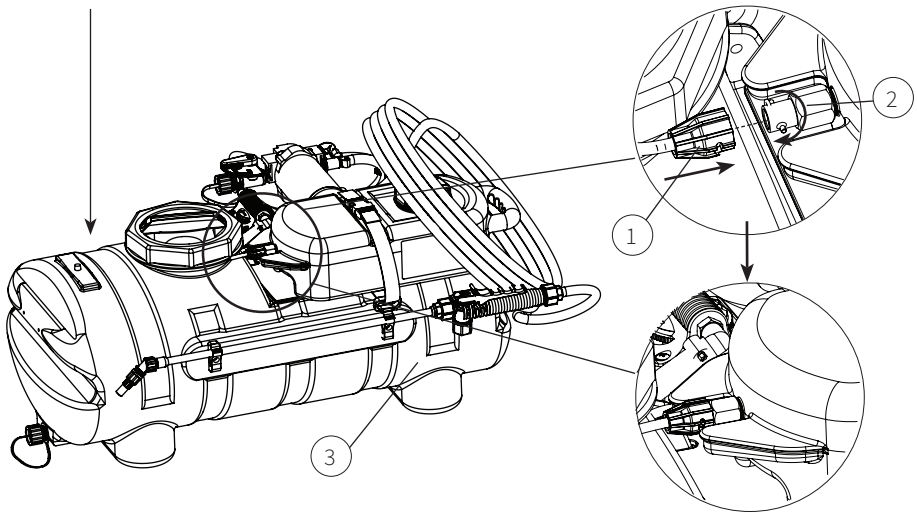
Make sure the o-ring is installed on the end of the wand. Insert the wand into shut-off valve. Turn and tighten the retaining nut clock-wise onto the shut-off valve.



## ATTACH CHEMICAL CONCENTRATE TANK

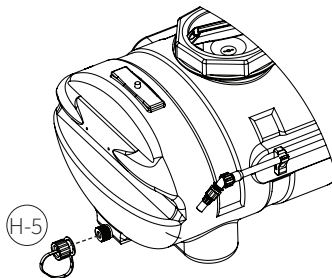
Before chemical tank installation, attach supplied ratchet straps to strap slots on tank. Securely fasten assembly to ATV. NOTE: not all models included ratchet straps.

Attach the mix valve's suction tubing (1) to the chemical concentrate tank's quick release port (2). Secure chemical concentrate tank with nylon webbing (3).



## INSTALL DRAIN CAP

Install cap lanyard around drain plug. Screw drain cap (H-5) on drain plug.



Assembled

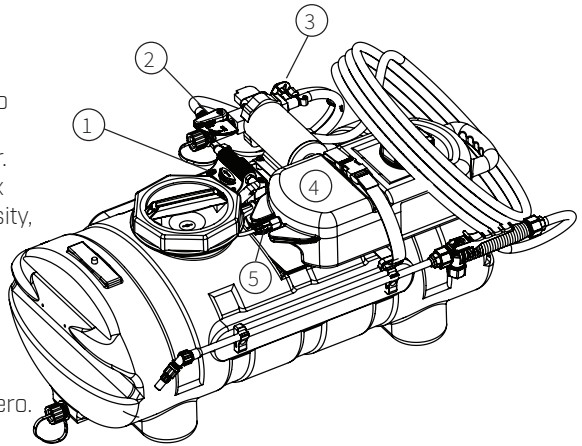
## SPRAYER COMPONENTS

### 1 MIX SETTING VALVE

The mix setting valve allows the user to set the desired chemical mix ratio. It is calibrated to a specific gravity of water. See setting chart for each settings mix value in oz./gal. Due to chemical viscosity, actual mix ratios may vary. Refer to chemical's recommended mix ratios when choosing what setting to use.

**Note:**

- Use water based chemicals only.
- When not spraying set mix ratio to zero.



### 2 WAND / BOOM SELECTOR VALVE

The wand/boom selector valve allows the user to select the flow to either be diverted to the wand assembly or the boom.

### 3 BYPASS / PRESSURE VALVE

The bypass/pressure valve allows the user to adjust the wand's pressure. During low flow applications it allows flow to be diverted to eliminate pump cycling.

**How to use:** Start with the valve set to "Bypass off". When the pump begins to cycle; between on and off, turn the valve slowly counter clockwise until the cycling stops. The valve setting should fall in the "optimal" flow region.

**Note:**

- If the bypass is used beyond the "optimal flow" region the pump may not shut off as the bypass doesn't allow it to build enough pressure to turn the pump off.
- If too much air is introduced into the system from changing chemicals or running the water or chemical tanks dry it may be necessary to switch the bypass valve to "Bypass off/Prime" in order to prime the unit.

### 4 CHEMICAL CONCENTRATE TANK

The chemical concentrate tank is where the chemical concentrate is held. To install the tank, insert the tank onto the faceplate's alignment feet and secure with the nylon webbing and snap latch.

### 5 CHEMICAL TANK QUICK RELEASE COUPLING

The chemical tank quick release coupling allows the user to quickly and cleanly change out chemical tanks. When disengaged the tank's quick release automatically closes to stop spillage. To use, align the male locking pins with the female nut's slots. Press female nut over the male nut and turn clockwise to lock in place. To disengage the quick release coupling, slightly push the female nut in, turn counterclockwise and remove.

## OPERATING INSTRUCTIONS

1. Fill both water and chemical tanks.
2. Set Mix Ratio Valve to "0" [1] by turning the adjustment wheel.
3. Set Wand/Boom selector valve to "Wand" [2].
4. Set Bypass to "Bypass Off/Prime" [3] by turning the selector knob.
5. Turn system on by pressing wiring harness in-line switch to "on" (not shown).
6. Prime: using the wand spray until all air has been purged from the system. If the bypass was set to "off" the pump will begin to cycle on and off.
7. Adjust bypass until the pump stops cycling. Do not bypass more than needed as this will cause the pump to continuously run.
8. Set the desired mix ratio setting and begin spraying.
9. Cleaning between chemical types: While spraying on mix setting 7 disconnect the concentrate tank's quick release. This allows chemical in the line to quickly be flushed. If necessary, flush with water by submerging the chemical line into the water source. Once adequately flushed the new concentrate tank may be installed. With the mix valve set to 7 and the bypass set to "Bypass off/Prime" prime the system. Once primed, re-adjust the bypass valve and you're ready to spray.

### SETTING GUIDE

SETTING	OUNCE PER GALLON
0	0 oz/gal
1	1 oz/gal
2	2 oz/gal
3	3 oz/gal
4	4 oz/gal
5	5 oz/gal
6	10 oz/gal
7	15 oz/gal

Chemical mix ratios can easily be adjusted in between or lower than the listed 0-7 settings by pre-diluting your concentrate.

For example, if you wish to spray at .5 oz/gal, simply mix your chemical 50:50 with clean water before placing it in the concentrate tank.

Divide the desired rate by the closest higher rate (oz. /gal) value from above guide to determine the % of chemical in concentrate tank.

$$\frac{\text{Desired Rate (oz./gal)}}{\text{Closest higher rate (oz./gal)}} \times \frac{100}{1} = \text{\% Chemical to Water for Concentrate Tank}$$

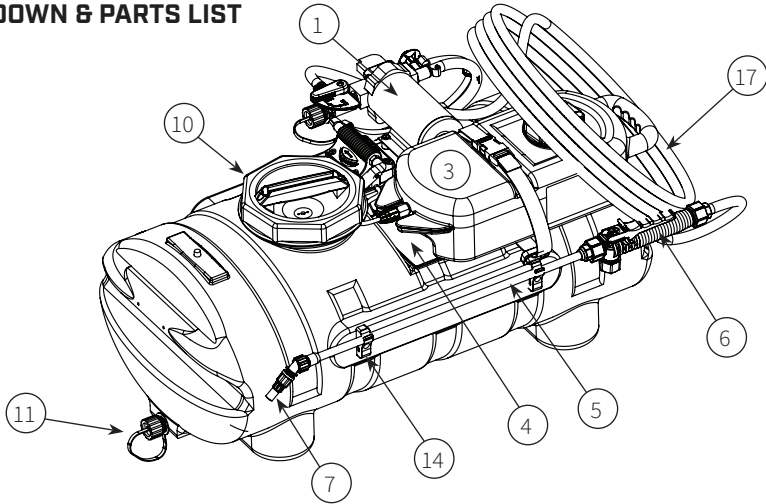
### CAUTION

ALWAYS FOLLOW CHEMICAL MANUFACTURER'S INSTRUCTIONS FOR PROPER USE, STORAGE AND DISPOSAL.

ALWAYS FOLLOW STATE/LOCAL CODES FOR PROPER HANDLING, STORAGE AND DISPOSAL OF CHEMICAL.

**TROUBLESHOOTING**

CONDITION	CHECK
Pump won't start	Correct voltage ( $\pm 10\%$ ) and electrical connections
	Fuse or breaker
	Pressure switch operation
	Rectifier or motor for open or grounded circuit
	Locked drive assembly
Pump will not prime (No discharge with motor running)	Correct voltage at switch
	Debris in strainer
	Restriction (kinks) in inlet / outlet tubes
	Debris / swelling in inlet / outlet valves
Pump will not shut-off (output line closed and no leaks)	Bypass is not in "off" position
	Air trapped in outlet line or pump head
	Correct voltage to pump
	Debris in pump inlet / outlet valves
	Loose drive assembly or pump head screws
Leaks from pump head or switch	Pressure switch operations / adjustments
	Loose screws at switch or pump head
	Switch diaphragm ruptured or pinched
Pump output spits and sputters	Punctured diaphragm if fluid is present
	All hose clamps are adequately tight
	No holes in tubing
	There is adequate liquid in both the water and chemical tank
Pump makes noise, but no output	Adjust external bypass to optimize spray pattern
	Prime with garden hose by removing intake hose and flood with water while pump is running until water starts flowing (this may take up to 15 minutes to create suction).
	To better understand the priming process see video at: <a href="https://www.youtube.com/watch?v=lrNeAvNL7Fs">https://www.youtube.com/watch?v=lrNeAvNL7Fs</a> or search "Priming the Pump on Your Chapin ATV Sprayer" at Chapin International's YouTube page.

**BREAKDOWN & PARTS LIST**

REF NO.	PART NO.	QTY	DESCRIPTION
1	6-9230	1	Pump Assembly, 2.5 GPM
2	6-9233	1	Pump Hardware Kit
3	6-8060	1	Tank Assembly, 1.33 Gallon
3	6-8061	1	Tank Assembly, 2.0 Gallon
4	6-8272	1	Faceplate, 15 Gallon
4	6-8273	1	Faceplate, 25 Gallon
5	6-8219	1	Extension Assembly
6	6-8138	1	Shut-Off Assembly, cushion grip
7	6-9075	1	Nozzle Kit, Poly
8	6-9203	1	Suction Hose Assembly
9	6-8321	1	Inlet Strainer
10	6-8146-1	1	Tank Lid & 6 inch Filter Basket
11	6-8325	1	Drain Plug Kit
12	6-8003	2	Worm Gear Clamp
13	6-9204	1	Rubber Grommet
14	6-8324	2	Wand Clip, pair
15	6-8274	1	Wand Clip, Tie Down
16	6-8328	1	Lead Wire Assembly w/ Switch
17	6-9205	1	15' Hose, Reinforced

**To Order Replacement Parts: 1-800-950-4458**



## SPRAY & PUMP FAQ

### 1. Why does the pump not run all the time?

This is a demand pump and only runs with flow; a specific pressure must be reached before the pump turns off.

### 2. Why does the pump surge while using the spray wand?

Low flow may cause the pump to surge (or cycle). This could happen when the spray wand is adjusted for a small or fine spray pattern. To overcome, slightly open the by-pass valve, or adjust the nozzle to allow more flow.

### 3. How do I adjust the pressure?

Pressure should be adjusted by regulating the by-pass valve (slightly opening or closing).

### 4. My pump quit and will not restart - what should I check?

Check all electrical connections. Ensure switch is in the on position. Check in-line fuse and/or fuse in car adapter end. Ensure correct voltage +/- 10%. 12-14 volt

### 5. Low flow or no flow at all - what should I check?

Check for a clogged suction hose and/or suction strainer. Often you will need to clean the suction strainer. Check for proper voltage. Check for crimped hosing.

### 6. Is there a fuse for the sprayer?

Yes, in-line to the 12V wiring harness.

### 7. What size fuse should I use as a replacement?

10 amp

### 8. How should I clean the tank after use?

- Rinse tank thoroughly with water only, empty, refill with water.
- Open shut-off and allow water to run through discharge assembly. Empty sprayer.
- If the unit is to be stored below freezing the best way to winterize is to run RV antifreeze through both lines before storage, then purge with water in the spring.

## SPRAY & PUMP FAQ, continued

- 9. Is there an adjustment screw on the pump to adjust pressure?**  
Yes, please refer to the operation instructions, "Adjusting the Pressure Switch".
- 10. How do I remove / replace fuse?**  
Open fuse housing, remove fuse if blown, replace with equivalently rated fuse.
- 11. Can the spray tip on the wand be replaced with a different type of tip?**  
Yes, however your wand comes with a #18 tip which is standard. Brass tips generally produce better spray patterns than plastic.
- 12. Each time I turn on the pump my fuse blows.**
- Excessive voltage
  - Improper adjustment of the pressure switch
  - Damaged wiring harness
- 13. Pump continues to run and surge when not spraying.**  
Ensure the by-pass is completely closed and your system has no leaks.

## DIAPHRAGM PUMP SPECIFICATIONS

Fits Chapin 15 and 25 gallon ATV sprayers

12 Volt DC, totally enclosed, non ventilated

Max amp rating: 12

Leads: 6" long

3 chamber positive displacement diaphragm pump, self priming, capable of being run dry, demand or bypass model.

Priming Capabilities: 14 feet [4.3 m]

Max Pressure: 60 PSI

Inlet/Outlet Ports: Quick Attach

[2] 3/4" to 3/8" Straight

[1] 3/4" to 3/8" 90°



### Congratulations!

You have just purchased a quality Chapin product.

Register Your Spreader Online@ [www.chapinmfg.com/warranty.asp](http://www.chapinmfg.com/warranty.asp)



DO NOT RETURN TO STORE

Call: 1-800-950-4458

[www.chapinmfg.com](http://www.chapinmfg.com)

 **MIXES**  
ON EXIT

# PULVERIZADOR PARA ATV

Manual de uso y cuidado

**1 AÑOS**  
LIMITADA  
DE GARANTÍA

Visite el sitio web para conocer los  
detalles de la garantía



15 Gallon



25 Gallon

**Chapin International, Inc**

P.O. Box 549 700 Ellicott St.

Batavia, NY 14021-0549 U.S.A.

1-800-950-4458 [www.chapinmfg.com](http://www.chapinmfg.com)

Modelo: 97361, 97561, 97562, 97661E, 97761E

**⚠ ADVERTENCIA ⚠**

**Lea estas instrucciones atentamente antes de utilizarlo**

016028R0623

**⚠ ADVERTENCIA ⚠**

**ADVERTENCIA: EL USO INAPROPIADO O NO SEGUIR LAS INSTRUCCIONES PUEDE DAR LUGAR A UNA FALLA EXPLOSIVA Y CAUSAR SERIAS LESIONES OCULARES O DE OTRO TIPO.**

PARA EL USO SEGURO DE ESTE PRODUCTO, DEBE LEER Y SEGUIR TODAS LAS INSTRUCCIONES. NO DEJE EL PULVERIZADOR EXPUESTO AL SOL. EL CALOR PUEDE PROVOCAR UNA ACUMULACIÓN DE PRESIÓN QUE CAUSE UNA POSIBLE EXPLOSIÓN. NO ALMACENE O DEJE LA SOLUCIÓN EN EL TANQUE DESPUÉS DE USAR. CUANDO UTILICE EL PULVERIZADOR USE SIEMPRE ANTEOJOS PROTECTORES, GUANTES, CAMISA DE MANGA LARGA, PANTALONES LARGOS Y PROTECCIÓN COMPLETA EN LOS PIES. NO INTENTE MODIFICAR ESTE PULVERIZADOR. REEMPLACE LAS PIEZAS SÓLO CON PIEZAS ORIGINALES DEL FABRICANTE.

**NUNCA PULVERICE SOLUCIONES INFLAMABLES, CÁUSTICAS, ÁCIDAS, DE CLORO, A BASE DE PETRÓLEO, DE LEJÍA U OTRAS SOLUCIONES CORROSIVAS NI QUÍMICOS QUE PRODUZCAN CALOR, PRESIÓN O GAS. SIEMPRE LEA Y SIGA LAS INSTRUCCIONES DEL FABRICANTE DEL PRODUCTO QUÍMICO ANTES DE USARLO CON ESTE PULVERIZADOR, YA QUE ALGUNOS PRODUCTOS QUÍMICOS PUEDEN SER PELIGROSOS CUANDO SE USAN CON ESTE PULVERIZADOR.**

**ADVERTENCIA - ASEGÚRESE DE QUE EL CABLE NO SE PELLIZQUE O DAÑE DE NINGUNA MANERA. ESTO PODRÍA DAÑAR LA BOMBA O HACER QUE EL CABLE SE SOBRECALIENTE, DANDO LUGAR A PIEZAS DERRETIDAS O UN INCENDIO.**

**ALGUNAS SUSTANCIAS QUÍMICAS DAÑARÁN LAS VÁLVULAS DE LA BOMBA SI SE LES PERMITE REMOJARSE SIN TRATAMIENTO DURANTE UN PERÍODO LARGO. SIEMPRE ENJUAGUE LA BOMBA CON AGUA DESPUÉS DE USARLA. NO PERMITA QUE SUSTANCIAS QUÍMICAS REPOSEN EN LA BOMBA DURANTE PERÍODOS EXTENSOS DE INACTIVIDAD. SIGA LAS INSTRUCCIONES DEL FABRICANTE DE LA SUSTANCIA QUÍMICA RESPECTO AL DESECHO DE TODA EL AGUA USADA DEL ASPERSOR.**

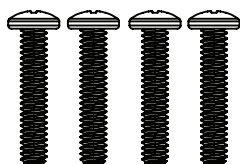
**USE SOLAMENTE SUSTANCIAS QUÍMICAS CON BASE DE AGUA.**

**CAUTION**

**ESTOS ASPERSORES ESTÁN DISEÑADOS PARA SUJETARSE A UNA SUPERFICIE ESTABLE.**

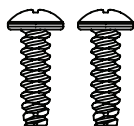
## CONTENIDO- NOT TO SCALE

### ACCESORIOS DEL PULVERIZADOR



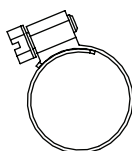
**H-1**

Tornillo de cabeza Philips



**H-2**

Tornillo de cabeza Philips



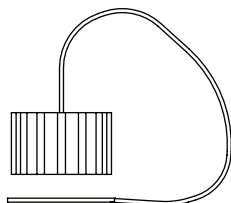
**H-3**

Abrazadera de manguera



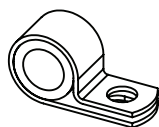
**H-4**

Sujetador para varilla



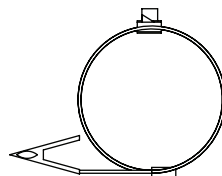
**H-5**

Tapón de drenaje



**H-6**

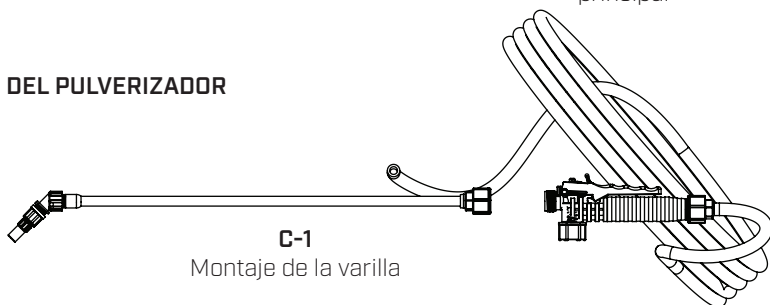
Abrazadera de bucle



**H-7**

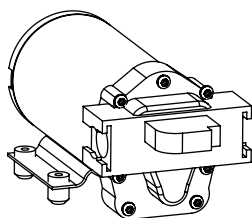
Montaje del conductor principal

### COMPONENTES DEL PULVERIZADOR



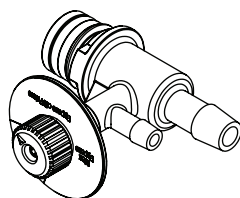
**C-1**

Montaje de la varilla



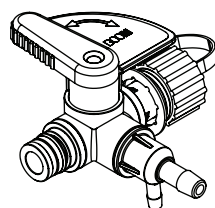
**C-2**

Bomba



**C-3**

Bypass externo



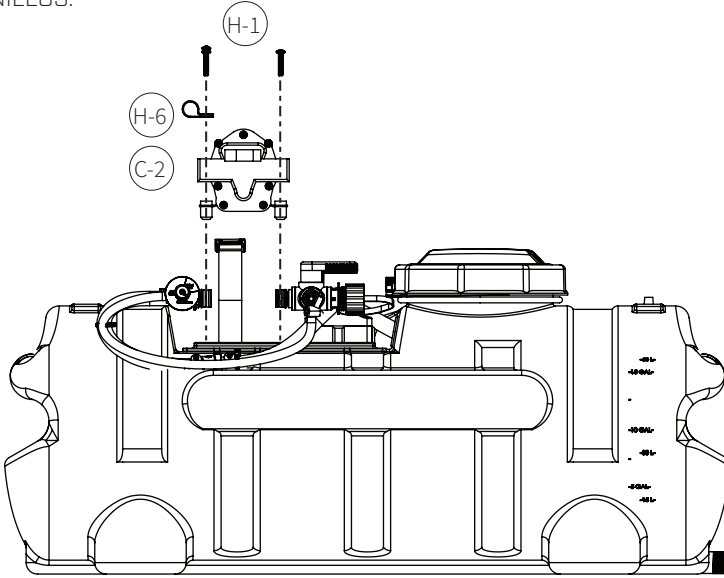
**C-4**

Válvula de dirección de flujo

**Nota:** Puede que no todos los componentes mostrados sean necesarios en su modelo.

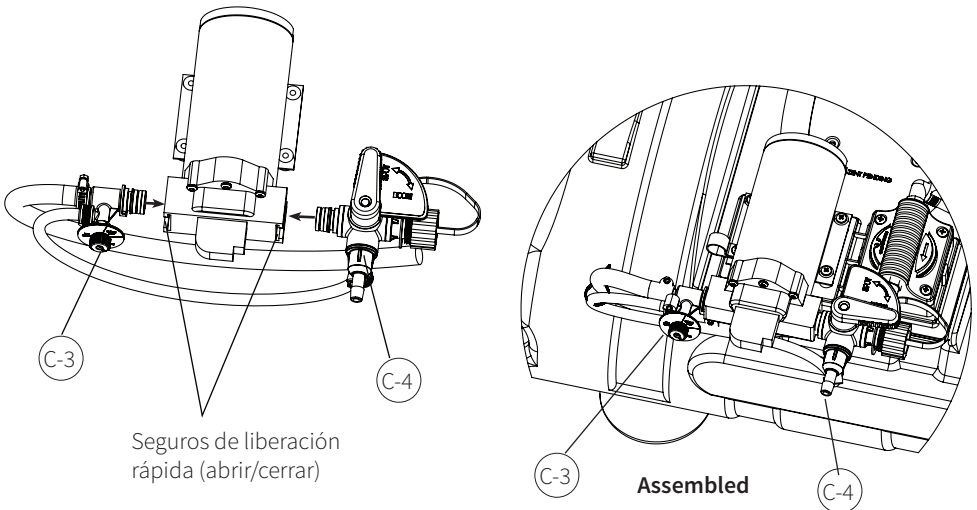
## CONECTE LA BOMBA AL TANQUE

Use los tornillos H-1 para fijar la bomba [C-2] a la placa frontal, insertando la abrazadera de bucle (H-6) en la bomba y el tornillo frontal izquierdo. **NOTA:** NO APRIETE DEMASIADO LOS TORNILLOS.



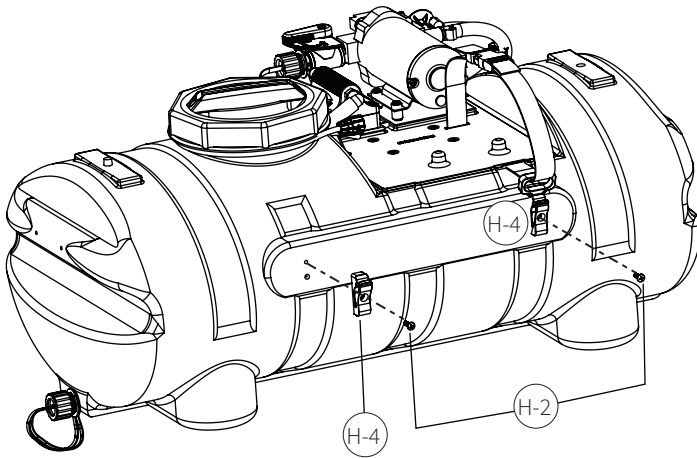
## INSTALE EL BYPASS EXTERNO Y LA VÁLVULA DE DIRECCIÓN DE FLUJO

Instale el bypass externo [C-3] y la válvula de dirección de flujo [C-4] en los puertos de liberación rápida de la bomba; active los seguros de liberación rápida. Nota: Para garantizar un bien sello debe usarse un conector apretado; puede necesitar mucha fuerza en las manos para instalar los conectores del bypass.



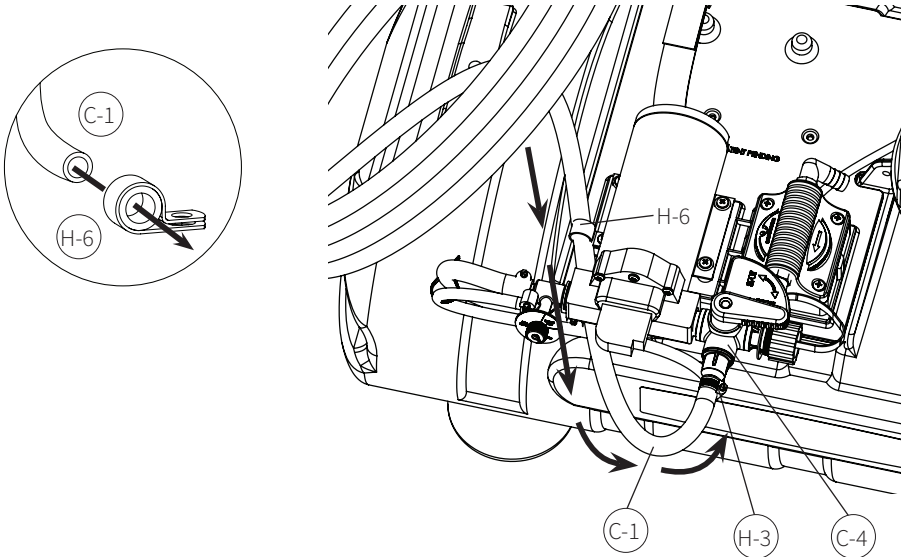
## INSTALE LAS ABRAZADERAS DE LA VARILLA PULVERIZADORA

Use los tornillos (H-2) para instalar el sujetador para varilla (H-4) y el sujetador para varilla del cinturón de nylon (como se muestra en la imagen) **Nota:** El sujetador para varilla que se muestra al lado derecho puede encontrarse colgando del cinturón de nylon.



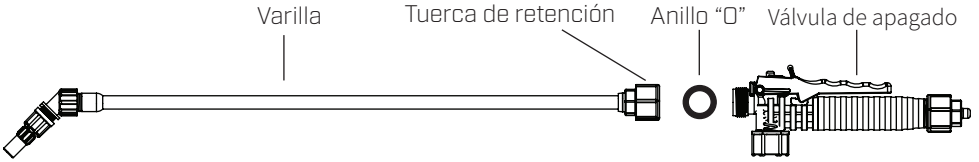
## CONECTE LA MANGUERA A LA VÁLVULA DE DESVÍO

Pase la manguera de la varilla (C-1) por la abrazadera de bucle (H-6) y conecte la manguera (C-1) a la válvula de desvío (C-4) usando la abrazadera de manguera (H-3). Ajuste la abrazadera (H-3).



## MONTAJE DE LA VARILLA

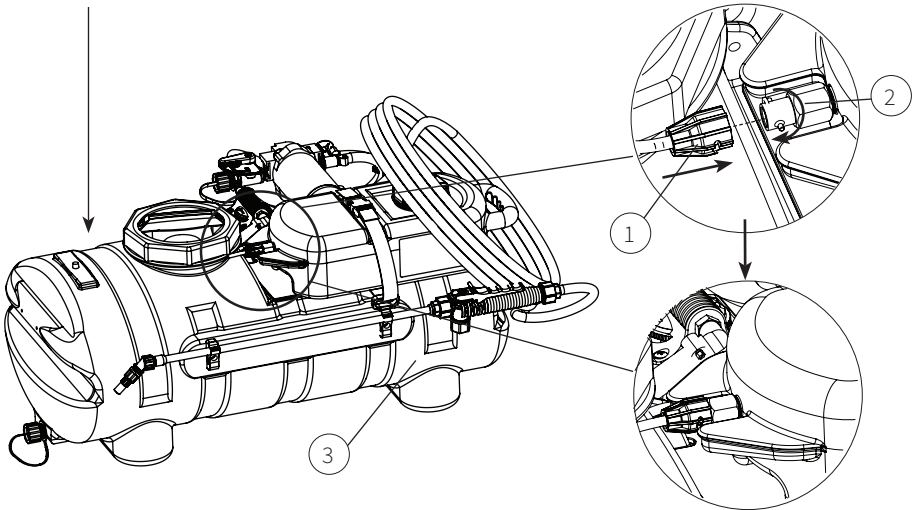
Asegúrese de que el anillo "O" esté instalado en el extremo de la varilla pulverizadora. Inserte la varilla a la válvula de cierre. Gire y apriete la tuerca de retención sobre la válvula de cierre en el sentido de las agujas del reloj.



## CONECTE EL TANQUE DE CONCENTRADO QUÍMICO

Usando las ranuras para correas del tanque y las correas con matraca incluidas, fije bien el equipo al ATV. Nota: No todos los modelos incluyen correas con trinquete.

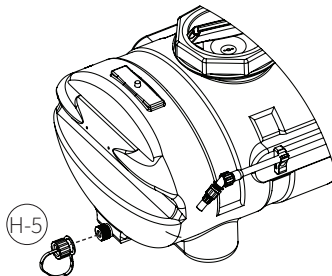
Conecte la tubería de succión (1) de la válvula de mezcla al puerto de liberación rápida (2) del tanque de concentrado químico. Fije el tanque de concentrado con la correa de nylon (3).



## INSTALE EL TAPÓN DE DRENAJE

Assembled

Instale el cordón de la tapa alrededor del sello de drenaje. Atornille el tapón de drenaje (H-5) en el sello de drenaje.



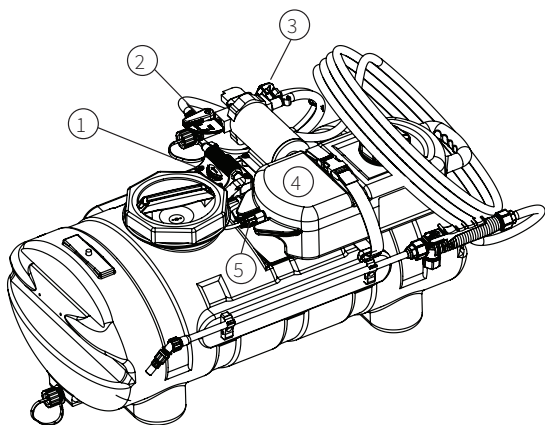
## COMPONENTES DEL PULVERIZADOR

### 1 VÁLVULA DE RELACIÓN DE MEZCLA

La válvula de relación de mezcla permite al usuario configurar la relación deseada para la mezcla de la sustancia química. Se calibra a una gravedad específica de agua. Vea la tabla de configuración para ver el valor de la mezcla de cada configuración en onzas/galón. Debido a la viscosidad de las sustancias químicas, las relaciones de mezcla reales podrían variar. Consulte las relaciones de mezcla recomendadas para la sustancia química antes de elegir la configuración a usar.

Nota:

- Use solamente sustancias químicas con base de agua.
- Cuando no esté pulverizando, ajuste la relación de mezcla a cero.



### 2 VÁLVULA DE SELECCIÓN DE VARILLA/BRAZO

La válvula de selección de varilla/brazo permite al usuario seleccionar que el flujo se desvíe al conjunto de la varilla o al brazo.

### 3 VÁLVULA DE BYPASS/PRESIÓN

La válvula de bypass/presión permite al usuario ajustar la presión de la varilla. En aplicaciones con bajo flujo, permite desviar el flujo para evitar que la bomba se encienda y apague.

Instrucciones de uso: Comience con la válvula en la posición "Bypass off" (Bypass apagado). Cuando la bomba inicie su ciclo de encendido y apagado, gire la válvula lentamente en sentido contrario a las agujas del reloj entre cada parada hasta que el ciclo se detenga. La configuración de la válvula debe estar en la región de flujo "óptimo".

Nota:

- Si se usa el bypass fuera de la región de "flujo óptimo", la bomba podría no apagarse, ya que el bypass no le permite acumular suficiente presión para apagar la bomba.
- Si se introduce demasiado aire al sistema al cambiar la sustancia química o dejar que se sequen los tanques de agua o de sustancia química, quizá sea necesario cambiar la válvula de bypass a "Bypass off/Prime" (Bypass apagado/cebado) para cebar la unidad.

### 4 TANQUE DE CONCENTRADO QUÍMICO

El tanque de concentrado químico es en donde se almacena el concentrado químico. Para instalar el tanque, insértelo sobre las patas de alineación de la placa frontal y fíjelo con la correa de nylon y el seguro.

### 5 ACOPLAMIENTO DE LIBERACIÓN RÁPIDA DEL TANQUE DE SUSTANCIA QUÍMICA

El acoplamiento de liberación rápida del tanque de sustancia química permite al usuario cambiar de tanque de sustancia química de manera rápida y limpia. Cuando se desconecta, el conector de liberación rápida del tanque se cierra automáticamente para evitar derrames. Para usarlo, alinee las clavijas del seguro con las ranuras de la tuerca. Oprima la tuerca hembra sobre la tuerca macho y gire en sentido horario para fijarlas. Para desconectar el acoplamiento de liberación rápida, empuje ligeramente la tuerca hembra, gírela en sentido antihorario y sáquela.

**INSTRUCCIONES DE USO:**

1. Llene tanto el tanque de agua como el de sustancia química.
2. Coloque la válvula de relación de mezcla en "0" [1] girando la rueda de ajuste.
3. Coloque la válvula selectora de la varilla/brazo en "Wand" (Varilla) [2].
4. Coloque el bypass en la posición "Bypass Off/Prime" [Bypass apagado/cebado] [3] girando la perilla de selección.
5. Encienda el sistema oprimiendo el interruptor del mazo de cables a [posición "on" (encendido) (no se muestra)].
6. Cebado: use la varilla pulverizadora hasta que se haya purgado todo el aire del sistema. Si el bypass estaba en "off" (apagado), la bomba comenzará a encenderse y apagarse.
7. Ajuste el bypass hasta que la bomba deje de encenderse y apagarse. No abra el bypass más de lo necesario, o hará que la bomba funcione constantemente.
8. Configure la relación de mezcla deseada y empiece a rociar.
9. Limpieza de distintos tipos de sustancias químicas: Limpie el sistema antes de usar un tipo distinto de sustancia química: Mientras está rociando en la configuración de mezcla 7, desconecte la liberación rápida del tanque de concentrado. Esto permite enjuagar con rapidez la sustancia química de la tubería. Si es necesario, enjuague con agua, sumergiendo la tubería de la sustancia química en la fuente de agua. Una vez que se enjuague por completo, puede instalar el nuevo tanque de concentrado. Con la válvula de mezcla en la posición 7 y el bypass en posición "Bypass off/prime" [Bypass apagado/cebado], ceba el sistema. Una vez cebado el sistema, reajuste la válvula de bypass y estará listo para rociar.

**GUÍA DE CONFIGURACIÓN**

CONFIGURACIÓN	ONZAS POR GALÓN
0	0 oz/gal
1	1 oz/gal
2	2 oz/gal
3	3 oz/gal
4	4 oz/gal
5	5 oz/gal
6	10 oz/gal
7	15 oz/gal

Las relaciones de mezcla de sustancias químicas se pueden ajustar fácilmente entre las configuraciones 0-7 enumeradas o por debajo de ellas diluyendo previamente el concentrado.

Por ejemplo, si desea rociar a 0.5 oz/gal, simplemente mezcle su sustancia química 50:50 con agua limpia antes de colocarla en el tanque de concentrado.

Divida la tasa deseada por la tasa más alta más cercana (oz/gal) de la guía anterior para determinar el % de sustancia química en el tanque de concentrado.

$$\frac{\text{Tasa deseada (oz/gal)}}{\text{Tasa más alta cercana (oz/gal)}} \times \frac{100}{1} = \text{\% De sustancia química a agua para tanque de concentrado}$$

**CAUTION**

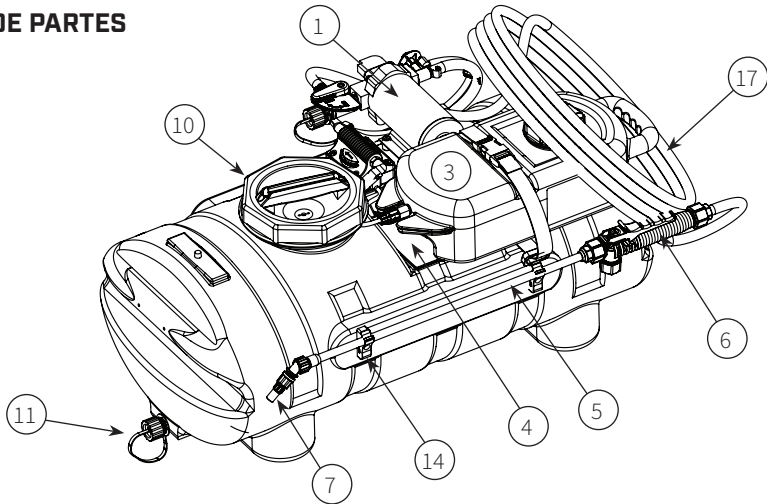
SIGA SIEMPRE LAS INSTRUCCIONES DEL FABRICANTE SOBRE EL USO, ALMACENAMIENTO Y ELIMINACIÓN ADECUADOS DEL PRODUCTO QUÍMICO.

SIGA SIEMPRE LOS CÓDIGOS LOCALES/ESTATALES PARA EL USO, ALMACENAMIENTO Y ELIMINACIÓN ADECUADOS DE LOS QUÍMICOS.

**GUÍA DE RESOLUCIÓN DE PROBLEMAS**

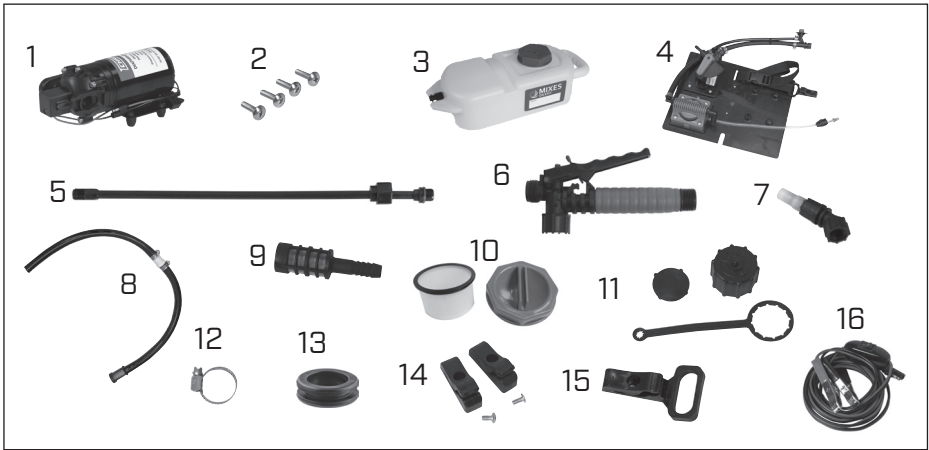
<b>PROBLEMA</b>	<b>REVISE:</b>
La bomba no arranca	Voltaje ( $\pm 10\%$ ) y conexiones eléctricas correctas
	Fusible o interruptor de seguridad
	Operación del interruptor de presión
	Rectificador o motor para circuito abierto o con conexión a tierra
	Conjunto de la transmisión bloqueado
	voltaje correcto en el interruptor
La bomba no adquiere cebado (no hay descarga con el motor operando)	Residuos en el colador
	Restricciones (torceduras) en los tubos de alimentación/descarga
	Residuos o crecimientos en las válvulas de alimentación/descargas
	El bypass no está en posición de "apagado"
La bomba no se apaga (línea de descarga cerrada y no hay fugas)	Aire atrapado en la línea de alimentación o la cabeza de la bomba
	Voltaje correcto a la bomba
	Residuos en las válvulas de alimentación/descarga de la bomba
	Conjunto de transmisión o tornillos de la cabeza de la bomba flojos
	Operaciones/ajustes al interruptor de presión
Fugas en la cabeza o interruptor de la bomba	Tornillos sueltos en el interruptor o cabeza de la bomba
	Diafragma del interruptor roto o pellizcado
	Diafragma perforado si hay líquido presente
La salida de la bomba "escupe" y tiembla	Que todas las abrazaderas de mangueras estén bien apretadas
	Que la tubería no tenga agujeros
	Que haya suficiente líquido en los tanques de agua y de sustancia química
	Ajustar el bypass externo para optimizar el patrón de pulverización
La bomba hace ruido, pero no genera flujo	Cebe con una manguera de jardín quitando la manguera de entrada, y llene con agua mientras la bomba está funcionando hasta que empiece a fluir agua (puede tardar hasta 15 minutos en acumular succión).
	Para entender mejor el proceso de cebado, vea el video en <a href="https://www.youtube.com/watch?v=IrNeAvNL7Fs">https://www.youtube.com/watch?v=IrNeAvNL7Fs</a> o busque "Priming the Pump on Your Chapin ATV Sprayer" en la página de YouTube de Chapin International.

## LISTA DE PARTES



ARTÍCULO	PARTE #	CANT.	DESCRIPCIÓN
1	6-9230	1	Conjunto de la bomba, 2.5 gal/min
2	6-9233	1	Juego de accesorios de la bomba
3	6-8060	1	Conjunto de tanque, 1.33 galones
3	6-8061	1	Conjunto de tanque, 2.0 galones
4	6-8272	1	Placa frontal, 15 galones
4	6-8273	1	Placa frontal, 25 galones
5	6-8219	1	Conjunto de extensión
6	6-8138	1	Válvula de paso, mango acojinado
7	6-9075	1	Juego de boquillas, poly
8	6-9203	1	Conjunto de manguera de succión
9	6-8321	1	Filtro de entrada
10	6-8146-1	1	Canastilla y tapa de filtro de 6 pulg.
11	6-8325	1	Juego de tapones de drenaje
12	6-8003	2	Abrazadera de manguera
13	6-9204	1	Anillo de caucho
14	6-8324	2	Sujetador para varilla
15	6-8274	1	Sujetador para varilla, cincho
16	6-8328	1	Conjunto de cable principal, con interruptor
17	6-9205	1	Manguera de 15 pies, reforzada

**Para ordenar partes de repuesto: 1-800-950-4458**



## PREGUNTAS FRECUENTES SOBRE LA PULVERIZACIÓN Y LA BOMBA

1. **¿Por qué la bomba no funciona todo el tiempo?**  
Esta es una bomba de demanda y sólo opera con flujo; debe alcanzar una presión específica antes de que la bomba se apague.
2. **¿Por qué la bomba se revoluciona al usar la varilla pulverizadora?**  
Un caudal bajo puede causar que la bomba se revolucione (o conmute ciclos). Esto podría pasar cuando la varilla pulverizadora está ajustada para un patrón de pulverización ligero o fino. Para arreglarlo, abra ligeramente la válvula de derivación, o ajuste la boquilla para permitir que fluya más.
3. **Cómo regulo la presión?**  
La presión debe ajustarse mediante la regulación de la válvula de derivación (apertura o cierre ligeros).
4. **Mi bomba se apaga y no reinicia, ¿qué debo revisar?**  
Revise todas las conexiones eléctricas. Asegúrese de que el interruptor esté en la posición de encendido. Revise el fusible de la línea de alimentación o el fusible en el extremo del adaptador para coche. Asegúrese de que el voltaje sea el correcto +/- 10%. 12 a 14 voltios.
5. **Caudal bajo o nada de caudal, ¿qué debo revisar?**  
Compruebe que la manguera de succión o el filtro de succión no estén obstruidos. A menudo necesitará limpiar el filtro de succión. Verifique que el voltaje sea apropiado. Verifique que la manguera no tenga dobleces ni estrechamientos.
6. **¿Hay un fusible para el pulverizador?**  
Sí, alineado con el arnés de cables 12V.
7. **¿Qué tamaño de fusible debo usar como repuesto?**  
10 A.
8. **¿Cómo debo limpiar el tanque después de usarlo?**
  - Enjuague minuciosamente el tanque únicamente con agua, vacíe y vuelva a llenar con agua.
  - Abra la unidad de cierre y deje fluir el agua a través del conjunto de descarga. Vacíe el pulverizador.
  - Si la unidad se va a almacenar a temperaturas bajo cero, la mejor manera de protegerla y prepararla para el invierno es aplicar anticongelante RV a ambas líneas antes del almacenamiento y, luego, purgarlo con agua en primavera.

## PREGUNTAS FRECUENTES SOBRE LA PULVERIZACIÓN Y LA BOMBA, continuado

9. **¿Hay un tornillo de ajuste en la bomba para ajustar la presión?**  
Sí, consulte las instrucciones de operación, "Ajuste del interruptor de presión".
10. **¿Cómo quito/reemplazo el fusible?**  
Abra el compartimiento del fusible, saque el fusible si está fundido, reemplácelo con un fusible de capacidad equivalente.
11. **¿Puede cambiarse la punta de pulverización en la varilla por una punta de diferente tipo?**  
Sí, pero si varilla viene con una punta N.º 18 que es la estándar. Las puntas de latón generalmente producen mejores patrones de pulverización que las de plástico.
12. **Cada vez que enciendo la bomba se quema el fusible.**
  - Voltaje excesivo
  - Ajuste inapropiado del interruptor de presión
  - Arnés de cables dañado.
13. **La bomba continúa funcionando y se sobretensiona cuando no está pulverizando.**  
Asegúrese de que la derivación está completamente cerrada y que el sistema no tiene fugas.

## ESPECIFICACIONES

Se adapta a pulverizadores ATV Chapin de 15 y 25 galones

12 voltios CC, totalmente cerrada, sin ventilación

Amperios nominales máximos: 12

Cables: 6 pulg. de longitud

Bomba de diafragma de 3 cámaras con desplazamiento positivo, autocebada, capaz de funcionar en seco, modelo de demanda o de derivación.

Capacidades de cebado: 14 pies (4.3 m)

Presión máxima: 60 PSI

Puertos de alimentación/descarga:

Conexión rápida

[2] 3/4 a 3/8 pulg., recto

[1] 3/4 a 3/8 pulg., codo de 90°



## ¡Felicitaciones!

Acaba de comprar un producto de calidad Chapin.

Registre su esparcidor en línea en [www.chapinmfg.com/warranty.asp](http://www.chapinmfg.com/warranty.asp)

Debido a nuestro proceso de mejora continua de productos, las especificaciones pueden cambiar sin previo aviso.  
Patentes en trámite en EE.UU. y en otros países.



DO NOT RETURN TO STORE  
Call: 1-800-950-4458  
www.chapinmfg.com



## PULVÉRISATEUR VTT

Manuel d'utilisation  
et d'entretien

**1 ANS**  
LIMITÉE DE  
GARANTIE

Veillez consulter le site Web pour en  
savoir plus sur la garantie



15 Gallon



25 Gallon

Chapin International, Inc

P.O. Box 549 700 Ellicott St.

Batavia, NY 14021-0549 U.S.A.

1-800-950-4458 www.chapinmfg.com

Modèle: 97361, 97561, 97562, 97661E, 97761E

**⚠ AVERTISSEMENT ⚠**

Lisez attentivement ces instructions avant l'utilisation

016028R0623

**⚠ AVERTISSEMENT ⚠**

**UNE MAUVAISE UTILISATION OU LE NON-RESPECT DES DIRECTIVES PEUT ENTRAÎNER UNE EXPLOSION POUVANT CAUSER DE GRAVES BLESSURES AUX YEUX OU AUTRES.**

POUR UNE UTILISATION SÉCURITAIRE DE CE PRODUIT, LIRE ET SUIVRE TOUTES LES DIRECTIVES. NE PAS LAISSER LE PULVÉRISATEUR AU SOLEIL. LA CHALEUR PEUT PRODUIRE UNE ACCUMULATION DE PRESSION ET UNE EXPLOSION. NE PAS RANGER NI LAISSER LA SOLUTION DANS LE RÉSERVOIR APRÈS L'UTILISATION. TOUJOURS PORTER DES LUNETTES DE SÉCURITÉ, DES GANTS, UNE CHEMISE À MANCHES LONGUES, UN PANTALON LONG ET DES CHAUSSURES PROTECTRICES À PIED COMPLET LORSQUE VOUS PULVÉRISEZ. NE PAS ESSAYER DE MODIFIER CE PULVÉRISATEUR. NE REMPLACER LES PIÈCES QU'AVEC DES PIÈCES D'ORIGINE DU FABRICANT.

**NE JAMAIS PULVÉRISER DE PRODUITS INFLAMMABLES, CAUSTIQUES OU ACIDES, DE CHLORE, À BASE DE PÉTROLE, D'EAU DE JAVEL OU D'AUTRES SOLUTIONS CORROSIVES, NI DE PRODUITS CHIMIQUES PRODUISANT DE LA CHALEUR, DE LA PRESSION OU DES GAZ. TOUJOURS LIRE ET SUIVRE LES DIRECTIVES DU FABRICANT SUR LES PRODUITS CHIMIQUES AVANT D'UTILISER CE PULVÉRISATEUR. CERTAINS PRODUITS CHIMIQUES PEUVENT ÊTRE DANGEREUX LORSQU'ON LES UTILISE AVEC CE PULVÉRISATEUR.**

**ASSUREZ-VOUS QUE LE FILAGE NE SE COINCE PAS OU NE SOIT PAS ENDOMMAGÉ D'AUCUNE FAÇON QUE CE SOIT. LA POMPE POURRAIT EN ÊTRE ENDOMMAGÉE OU CAUSER UNE SURCHAUFFE AU FILAGE, PROVOQUANT UNE DÉFAILLANCE OU UN INCENDIE.**

**CERTAINS PRODUITS CHIMIQUES ENDOMMAGERONT LA POMPE ET LES SOUPAPES S'ILS DEMEURENT EN CONTACT, SANS TRAITEMENT, POUR UNE PÉRIODE PROLONGÉE. TOUJOURS RINCER LA POMPE AVEC DE L'EAU APRÈS UTILISATION. NE PAS LAISSER DE PRODUITS CHIMIQUES REPOSER DANS LA POMPE PENDANT UNE LONGUE PÉRIODE. SUIVRE LES DIRECTIVES DES FABRICANTS DE PRODUITS CHIMIQUES SUR LA FAÇON DE DISPOSER DE TOUTES LES EAUX USÉES DU PULVÉRISATEUR.**

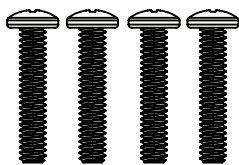
**UTILISEZ UNIQUEMENT DES PRODUITS CHIMIQUES À BASE D'EAU.**

**CAUTION**

**CES PULVÉRISATEURS SONT CONÇUS POUR ÊTRE FIXÉS À UNE SURFACE STABLE.**

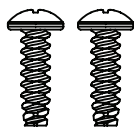
## CONTENU- NOT TO SCALE

### QUINCAILLERIE DE PULVÉRISATEUR



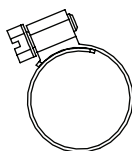
**H-1**

Tournevis à tête  
cruiciforme



**H-2**

Tournevis à tête  
cruiciforme



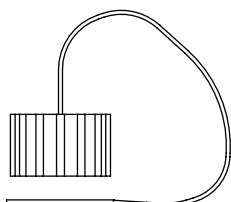
**H-3**

Collet à vis sans fin



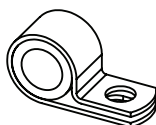
**H-4**

Collier de la lance



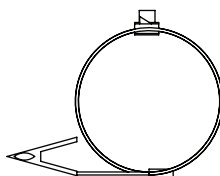
**H-5**

Bouchon de drainage



**H-6**

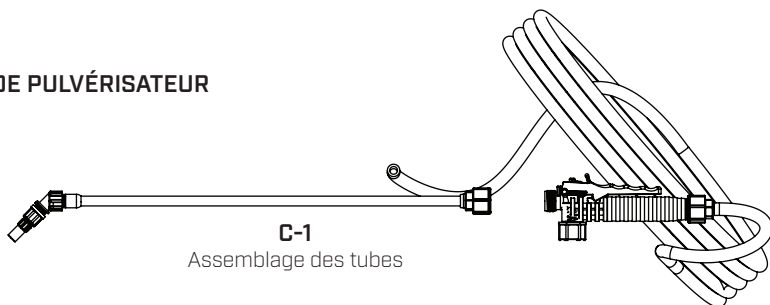
Collier de cadre



**H-7**

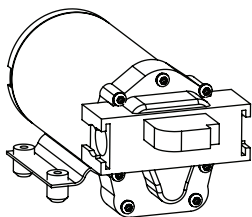
Assemblage du fil conducteur

### COMPOSANTS DE PULVÉRISATEUR



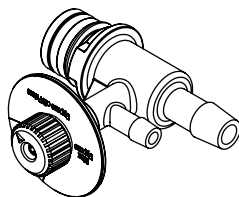
**C-1**

Assemblage des tubes



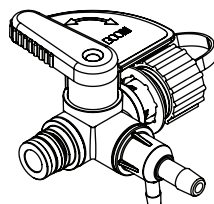
**C-2**

Pompe



**C-3**

Contournement  
externe



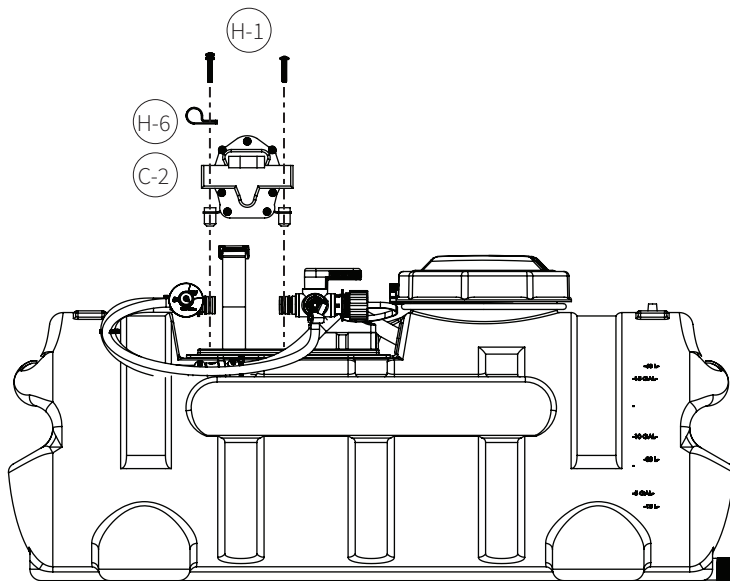
**C-4**

Vanne guide du débit

**Remarque :** Il se peut que certains des composants montrés ne soient pas requis pour l'assemblage de votre modèle.

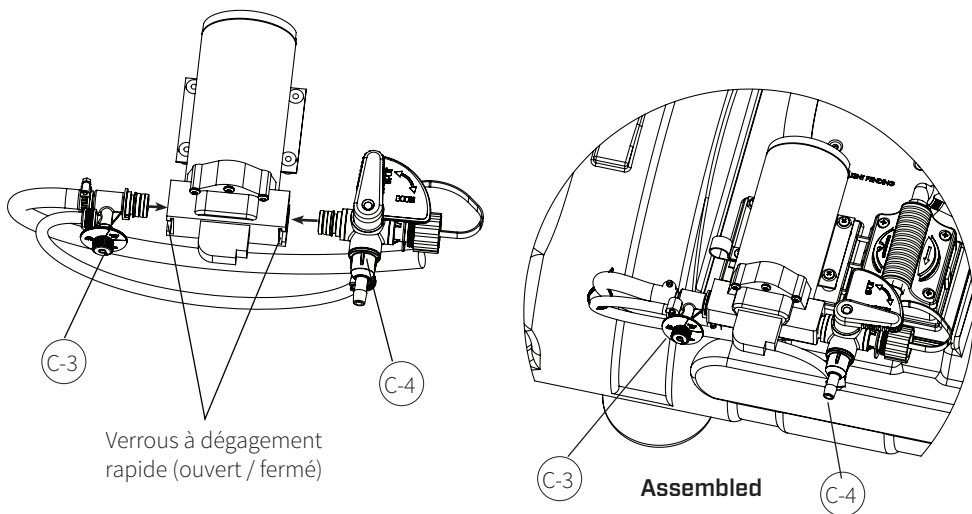
## ASSEMBLER LA POMPE AU RÉSERVOIR

À l'aide des vis H-1, assemblez la pompe [C-2] à la surface plane à l'aide du collier de cadre (H-6) entre la pompe et la vis avant gauche. **REMARQUE : NE PAS TROP SERRER LES VIS.**



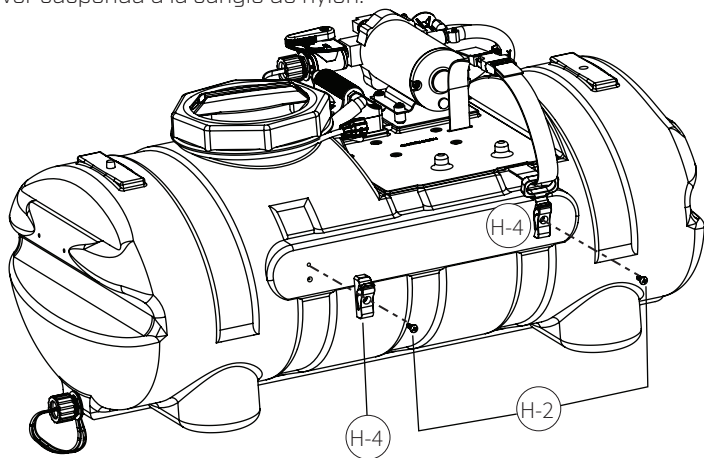
## INSTALLER LA DÉRIVATION EXTERNE ET LA VANNE GUIDE DU DÉBIT

Installer la dérivation externe [C-3] et la vanne guide du débit [C-4] dans les orifices du raccord rapide de la pompe; engagez les verrous à dégagement rapide. Note: Pour assurer un bon scellement, utilisez un ajustement serré; une force significative de la main peut être nécessaire à l'installation des raccords de dérivation.



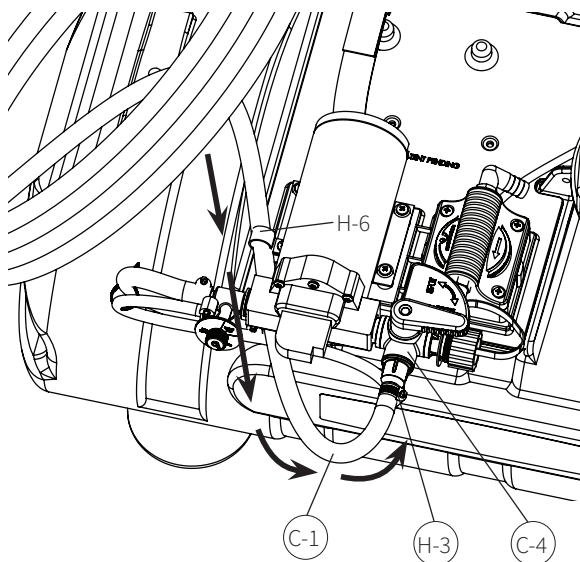
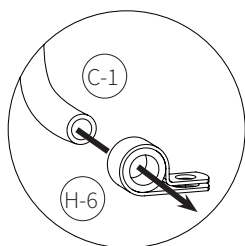
## INSTALLER LES COLLIERS DE LA LANCE

Installez le collier de la lance (H-4) et le collier de la lance de la sangle en nylon (comme indiqué ci-dessus) avec les vis (H-2). **Remarque :** Le collier de la lance que l'on voit à droite peut se trouver suspendu à la sangle de nylon.



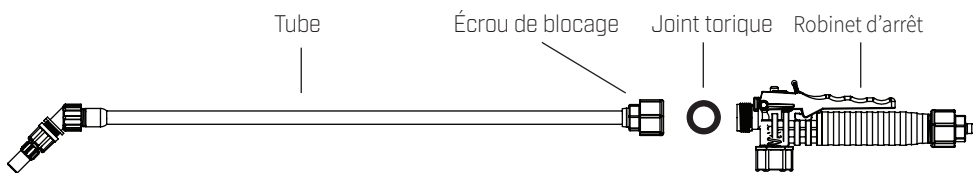
## FIXER LE TUYAU À LA VANNE DE RÉPARTITION

Dirigez le tuyau de la lance (C-1) à travers le collier de cadre (H-6) et fixez le tuyau (C-1) à la vanne de répartition (C-4) à l'aide d'un collier de serrage (H-3). Resserrez la pince (H-3).



## ASSEMBLAGE DES TUBES

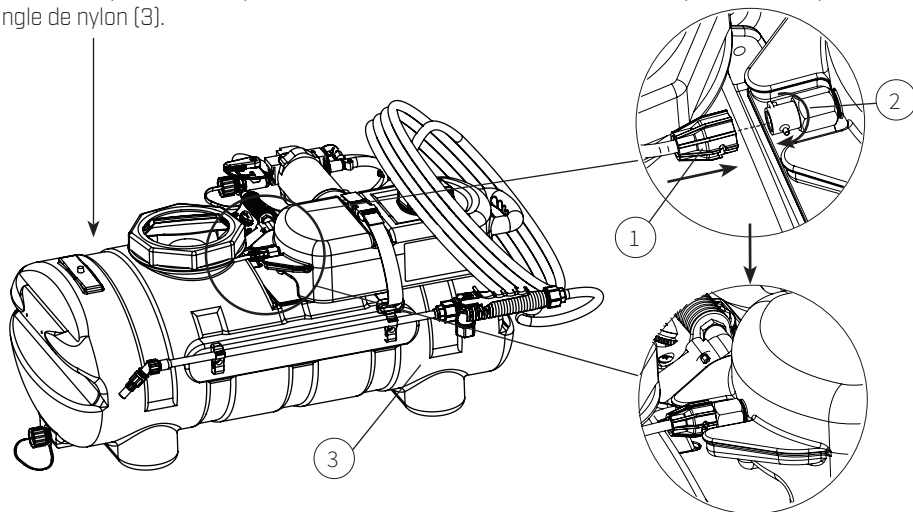
Assurez-vous que le joint torique est installé à l'extrémité du tube. Insérez le tube dans le robinet d'arrêt. Tournez et resserrez l'Écrou de blocage dans le sens horaire sur le robinet d'arrêt.



## FIXER LE RÉSERVOIR DE CONCENTRÉ DE PRODUIT CHIMIQUE

Utilisez les fentes des sangles du réservoir et les sangles à cliquet, puis attachez solidement l'ensemble au VTT. Remarque : Les modèles n'incluent pas tous les sangles à cliquet.

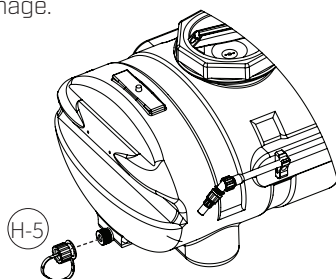
Fixez le tuyau d'aspiration de la vanne de mélange (1) à l'orifice du raccord rapide du réservoir de concentré de produit chimique (2). Sécurisez le réservoir de concentré de produit chimique avec la sangle de nylon (3).



## INSTALLER LE BOUCHON DE DRAINAGE

Assembled

Installez la corde du capuchon autour du bouchon de drainage. Vissez le bouchon de drainage (H-5) sur le robinet de drainage.



## COMPOSANTS DU PULVÉRISATEUR

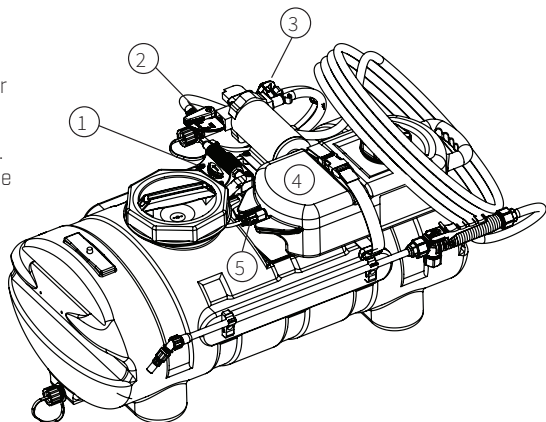
### 1 VANNE DE RÉGLAGE DU MÉLANGE

La vanne de réglage du mélange permet à l'utilisateur d'obtenir le rapport approprié de mélange du produit

chimique. Il est calibré à une gravité spécifique d'eau. Consultez le tableau de réglage pour chaque valeur de réglage du mélange en mL/3,79 L (oz/gal). En raison de la viscosité, les véritables rapports de mélange pourraient varier. Consultez les rapports de mélange recommandés du produit chimique lors du choix de réglage.

Remarque :

- Utilisez uniquement des produits chimiques à base d'eau.
- Lorsque vous ne pulvérisez pas, réglez le rapport de mélange sur zéro.



### 2 VANNE DE SÉLECTION LANCE/RAMPE

La vanne de sélection lance/rampe permet à l'utilisateur de choisir la diversion du débit vers l'ensemble de la lance ou de la rampe.

### 3 VANNE DE LA DÉRIVATION/PRESSION

La vanne de dérivation/pression permet à l'utilisateur de régler la pression à la lance. Pendant les applications à faible débit, il permet au débit d'être dérivé pour éliminer les cycles de la pompe.

Mode d'emploi : Commencez avec la vanne placée à « Bypass off ». Lorsque la pompe entreprend des cycles; entre « on » et « off », tournez la vanne lentement en sens antihoraire, jusqu'à ce que les cycles s'arrêtent. Le réglage de la vanne devrait se trouver dans la zone de débit « optimal ».

Remarque :

- Si la dérivation est utilisée au-delà du « débit optimal », la pompe pourrait ne pas s'arrêter alors que la dérivation ne permet pas d'accumuler suffisamment de pression pour éteindre la pompe.
- Si trop d'air est introduit dans le système par le changement de produits chimiques ou en manquant d'eau ou de produits chimiques, il pourrait être nécessaire à placer la vanne de dérivation à « Bypass off/prime », pour amorcer l'unité.

### 4 RÉSERVOIR DE CONCENTRÉ DE PRODUIT CHIMIQUE

Le réservoir de concentré de produit chimique est l'endroit où le produit chimique concentré est stocké. Pour installer le réservoir, insérez celui-ci sur le pied d'alignement de la plaquette, fixez à l'aide d'une sangle de nylon, attachez le fermoir.

### 5 RACCORD RAPIDE DU RÉSERVOIR DE PRODUIT CHIMIQUE

Le raccord rapide du réservoir de produit chimique permet à l'utilisateur de nettoyer et changer rapidement les réservoirs de produit chimique. Lors du dégagement du réservoir, le raccord rapide se ferme automatiquement pour éviter les fuites. Pour l'utiliser, alignez la tige du verrou mâle avec les fentes des écrous femelles. Appuyez l'écrou femelle par-dessus l'écrou mâle, puis tournez en sens horaire pour verrouiller en place. Pour dégager le raccord rapide, poussez légèrement l'écrou femelle vers l'intérieur, tournez en sens antihoraire, puis enlevez.

## COMMENT L'UTILISER

1. Remplissez les réservoirs d'eau et de produit chimique.
2. Réglez la vanne de rapport de mélange à « 0 » [1] en tournant la molette de réglage.
3. Réglez la vanne de sélection lance/rampe à « Wand » [2].
4. Réglez la dérivation à « Bypass off/prime » [3] en tournant le sélecteur.
5. Allumez le système en appuyant sur le filage de l'interrupteur de ligne à « on » (non montré).
6. Amorçage : utilisez le tuyau de pulvérisation jusqu'à ce que tout l'air soit purgé du système. Si la dérivation était à « off », la pompe commencera des cycles entre marche et arrêt.
7. Ajustez la dérivation jusqu'à ce que la pompe cesse les cycles. Ne dérivez pas davantage qu'il n'en faut, ce qui causerait le fonctionnement continu de la pompe.
8. Réglez le rapport de mélange désiré, puis commencez à pulvériser.
9. Nettoyez le système entre l'utilisation de produits chimiques différents : Tout en pulvérisant au réglage de mélange 7, débranchez le raccord rapide du réservoir de concentré. Ceci permettra au produit chimique dans la conduite d'être rapidement évacué. Si nécessaire, rincez avec de l'eau en submergeant la conduite de produit chimique dans une source d'eau. Une fois rincé correctement, le nouveau réservoir de concentré peut être installé. Avec la vanne de mélange au réglage 7 et la dérivation à « Bypass off/prime », amorcez le système. Une fois amorcé, réajustez la vanne de dérivation et vous êtes maintenant prêt à pulvériser.

### GUIDE DE CONFIGURATION

CONFIGURATION	ML PAR 3,79 L (ONCES PAR GALON)
0	0 oz/gal
1	1 oz/gal
2	2 oz/gal
3	3 oz/gal
4	4 oz/gal
5	5 oz/gal
6	10 oz/gal
7	15 oz/gal

Les rapports de mélange chimique peuvent facilement être ajustés pour être entre ou inférieurs aux paramètres 0-7 énumérés en pré-diluant votre concentré.

Par exemple, si vous souhaitez pulvériser à 0,5 once/gal, mélangez simplement votre produit chimique avec un rapport 50:50 avec de l'eau propre avant de le placer dans le réservoir de concentré.

Divisez le taux souhaité par la valeur du taux le plus élevé (once/gal) du guide ci-dessus pour déterminer le % de produit chimique dans le réservoir de concentré.

$$\frac{\text{Taux souhaité (once/gal)}}{\text{Taux le plus élevé (once/gal)}} \times \frac{100}{1} = \text{\% de produit chimique par rapport à l'eau dans le réservoir de concentré}$$

### CAUTION

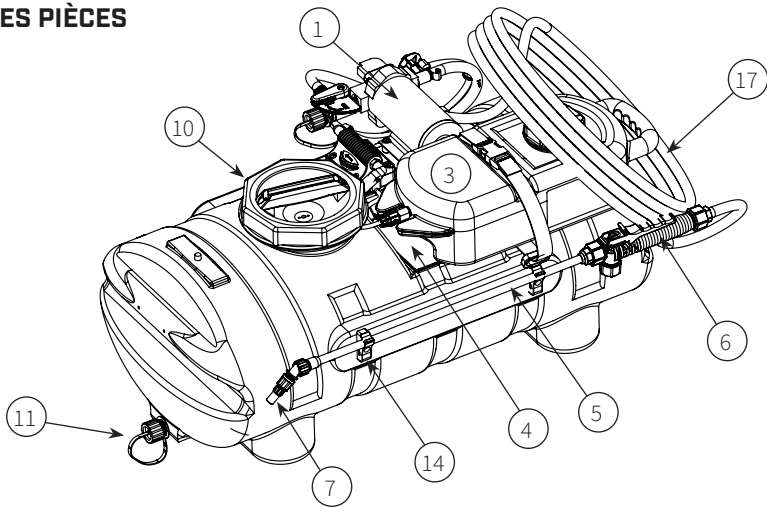
TOUJOURS SUIVRE LES INSTRUCTIONS DU FABRICANT DE PRODUITS CHIMIQUES POUR CONNAÎTRE L'UTILISATION, L'ENTREPOSAGE ET L'ÉLIMINATION APPROPRIÉS.

TOUJOURS RESPECTER LES CODES ÉTATIQUES/LOCAUX EN MATIÈRE DE MANUTENTION, D'ENTREPOSAGE ET D'ÉLIMINATION DES PRODUITS CHIMIQUES.

## GUIDE DE DÉPANNAGE

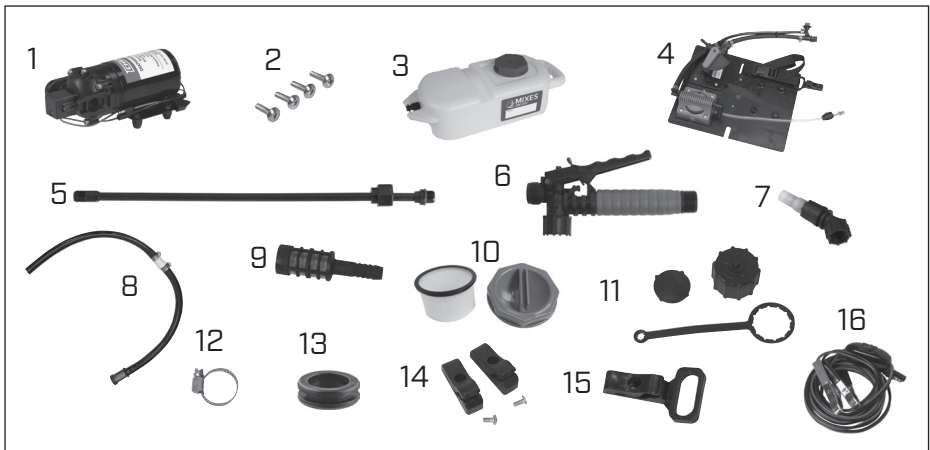
PROBLÈMES	VÉRIFIER
La pompe ne démarre pas	La tension ( $\pm 10\%$ ) et les connexions électriques
	Le fusible ou disjoncteur
	Le fonctionnement de l'interrupteur de pression
	Le redresseur ou le moteur pour tout circuit ouvert ou mis à la terre
	L'assemblage d'entraînement verrouillé
La pompe ne s'amorcera pas (ne pas décharger pendant que le moteur tourne)	la tension à l'interrupteur
	Les débris dans la crépine
	Les restrictions (plis) dans les tubes d'arrivée/sortie
	Les débris ou une augmentation dans les soupapes d'arrivée/sortie
La pompe ne s'arrêtera pas (la ligne de sortie est fermée et ne fuit pas)	La dérivation n'est pas en position « off »
	L'air emprisonnée dans la ligne de sortie ou dans la tête de la pompe
	La tension de la pompe
	Les débris dans les soupapes d'entrée/sortie de la pompe
	Desserrer l'assemblage d'entraînement ou les vis de la tête de pompe
Fuites de la tête de pompe ou de l'interrupteur	Les opérations/réglages de l'interrupteur de pression
	Desserrer les vis de l'interrupteur ou de la tête de pompe
	La membrane d'interrupteur est rompue ou pincée
La sortie de la pompe crache et fait des bulles	La membrane percée si du fluide est présent
	Que tous les colliers du tuyau sont suffisamment serrés
	Que le tuyau n'est pas percé
	Qu'il y a assez de liquide dans le réservoir d'eau et celui du produit chimique
La pompe fait du bruit mais il n'y a aucun rendement	Ajuster l'orifice de dérivation externe pour garantir une bonne pulvérisation
	Amorcez avec un tuyau d'arrosage en retirant le tuyau d'admission et inondez-le d'eau pendant que la pompe fonctionne jusqu' à ce que l'eau commence à couler (cela peut prendre jusqu' à 15 minutes pour créer une aspiration).
	Pour mieux comprendre le processus d'amorçage, consultez la vidéo à l'adresse : <a href="https://www.youtube.com/watch?v=lrNeAvNL7Fs">https://www.youtube.com/watch?v=lrNeAvNL7Fs</a> ou recherchez « Amorcer la pompe sur votre pulvérisateur VTT Chapin » sur la page YouTube de Chapin International

**LISTE DES PIÈCES**



ARTICLE	PIÈCE N°	QTÉ	DESCRIPTION
1	6-9230	1	Assemblage de pompe, 9,5 L/min [2,5 GPM]
2	6-9233	1	Ensemble du matériel de la pompe
3	6-8060	1	Assemblage du réservoir, 5 L [1,33 gal]
3	6-8061	1	Assemblage du réservoir, 7,6 L [2 gal]
4	6-8272	1	Plaquette, 56,8 L [15 gal]
4	6-8273	1	Plaquette, 94,6 L [25 gal]
5	6-8219	1	Assemblage de l'extension
6	6-8138	1	Assemblage de l'arrêt, prise coussinée
7	6-9075	1	Ensemble de la buse, poly
8	6-9203	1	Assemblage du tuyau d'aspiration
9	6-8321	1	Entrée de la crépine
10	6-8146-1	1	Panier-filtre de 15 cm [6 po] et couvercle
11	6-8325	1	Ensemble du bouchon de vidange
12	6-8003	2	Collet à vis sans fin
13	6-9204	1	Eillet de caoutchouc
14	6-8324	2	Collier de la lance
15	6-8274	1	Collier de la lance, point d'arrimage
16	6-8328	1	Assemblage du fil conducteur, avec interrupteur
17	6-9205	1	Tuyau de 4,6 m [15 pi], renforcé

**Pour commander des pièces de remplacement : 1-800-950-4458**



## FAQ – PULVÉRISATEUR ET POMPE

### 1. Pourquoi la pompe ne fonctionne-t-elle pas en tout temps?

Il s'agit d'une pompe à la demande qui ne fonctionne qu'avec le débit; une pression spécifique doit être atteinte avant que la pompe ne s'éteigne.

### 2. Pourquoi la pompe a-t-elle des poussées pendant l'utilisation du tube de pulvérisation?

Un faible flux peut causer des poussées de la pompe (ou fluctuation). Ceci peut survenir lorsque le tube de pulvérisation est réglé pour un modèle de pulvérisation petit ou fin. Pour en venir à bout, ouvrir légèrement la soupape de dérivation ou bien ajustez la buse pour permettre un plus grand débit.

### 3. Comment régler la pression?

La pression doit être réglée à l'aide de la soupape de dérivation (ouverture ou fermeture légère).

### 4. Ma pompe s'arrête et ne redémarre pas. Que dois-je vérifier?

Vérifier toutes les connexions électriques. S'assurer que l'interrupteur est en position de marche (ON). Vérifier le fusible de ligne et/ou le fusible de l'extrémité de l'adaptateur automobile. S'assurer de la bonne tension à +/- 10 %. 12 à 14 volts

### 5. Le flux est faible ou absent. Que dois-je vérifier?

Vérifier la présence d'un boyau d'aspiration bouché et/ou de la crépine d'aspiration. Souvent, vous aurez besoin de nettoyer la crépine d'aspiration. Vérifiez que la tension est appropriée. Vérifiez pour tout tuyau entravé..

### 6. Y a-t-il un fusible pour le pulvérisateur?

Oui, en ligne au filage de 12 V.

### 7. Quelle taille de fusible devrais-je utiliser en remplacement?

10 A

### 8. Comment devrais-je nettoyer le réservoir après utilisation?

- Bien rincer le réservoir avec de l'eau seulement, vider et remplir d'eau.
- Ouvrir le robinet d'arrêt et laisser l'eau couler par l'assemblage de décharge. Vider le pulvérisateur.
- Si l'appareil doit être entreposé dans des conditions en dessous du point de congélation, la meilleure façon de le faire fonctionner en hiver est de faire passer une solution antigel RV dans les deux conduites avant l'entreposage, puis de le nettoyer à l'eau au printemps.

## FAQ – PULVÉRISATEUR ET POMPE, continu

9. **Y a-t-il une vis de réglage sur la pompe pour régler la pression?**  
Oui, consulter les instructions de fonctionnement : « Régler le commutateur de pression »
10. **Comment retirer/remplacer un fusible?**  
Ouvrez le compartiment des fusibles, enlevez le fusible grillé, si c'est le cas, et remplacez avec un fusible équivalent.
11. **Est-ce que la buse de pulvérisation du tube peut être remplacée par une buse différente?**  
Oui. Cependant, votre tube de pulvérisation vient avec la buse standard no 18. Les buses en laiton produiront généralement de meilleurs modèles de pulvérisation que le plastique.
12. **Chaque fois que je mets la pompe en marche, mes fusibles sautent.**
- Tension excessive
  - Réglage inapproprié de l'interrupteur de pression
  - Filage endommagé.
13. **La pompe continue de fonctionner et s'intensifie lorsqu'on ne pulvérise pas.**  
S'assurer que la dérivation est complètement fermée et que votre système ne comporte aucune fuite.

## NORMES TECHNIQUES

S'adapte aux pulvérisateurs pour VTT de Chapin de 15 et 25 gallons,

12 V c.c., totalement fermés et non ventilés

Puissance nominale maximale : 12

Connecteurs : 15 cm (6 po) de long

Pompe à membrane de 3 chambres volumétriques, auto amorçante, capable de fonctionner à sec, modèle à demande ou à dérivation.

Capacités d'amorçage : 4,3 mL (14 pi)

Pression max : 60 psi

Ports d'entrée/sortie : Attache rapide  
[2] 1,9 cm (3/4 po) à 0,95 cm (3/8 po) droit  
[1] 1,9 cm (3/4 po) à 0,95 cm (3/8 po) à 90°



### Félicitations!

Vous venez d'acheter un produit de qualité Chapin.

Enregistrez votre épandeur en ligne @ [www.chapinmfg.com/warranty.asp](http://www.chapinmfg.com/warranty.asp)