
OPERATOR'S MANUAL

MASSIMO



GP7056E Snow Blower

IMPORTANT
READ INSTRUCTIONS CAREFULLY BEFORE OPERATION

Important Safety Operation Practices



WARNING: This symbol points out important safety instructions which, if not followed, could endanger the personal safety and/or property of yourself and others. Read and follow instructions in this manual before attempting to operate this machine. Failure to comply with these instructions may result in personal injury.

When you see this symbol, **HEED ITS WARNING!**



DANGER: This machine was built to be operated according to the safety operation practices in this manual. As with any type of power equipment, carelessness or any error on the part of the operator can result in serious injury. This machine is capable of amputating hands and feet and throwing objects. Failure to observe the following safety instructions could result in serious injury or death.

General Operation

- Carefully read the vehicle's operator's manuals and this equipment's operator's manuals before attempting to assemble or operate the equipment. Keep both manuals in a safe place for future and regular reference, also for ordering replacement parts.
- The vehicle is designed for off-road usage and should not be operated on public highways. Understand and comply with all laws and regulations governing the use of off-highway vehicles in your area.
- The vehicle handles and maneuvers are different from a normal passenger car. Sharp high-speed turns and abrupt maneuvers can cause vehicle to roll over or go out of control. Slow down when turning and avoid abrupt maneuvers.
- Be familiar with all instructions and proper operations before starting the vehicle.
- Do not let children operate the vehicle. Do not let adults operate the vehicle without proper instruction. Only persons who are well acquainted with these safety operation practices should be allowed to use the equipment.
- Watch for traffic when the vehicle is near roadways. This vehicle is not intended for use on any public road.
- No one should operate this equipment while intoxicated or while taking medication which impairs the senses or reactions.
- Never carry more than one passenger. This vehicle is designed to carry the driver and one passenger only. No riders are allowed in cargo box or anywhere else on this vehicle.
- Keep all body parts (i.e. head, arms, hands, legs, feet) inside the vehicle when it is in motion.
- Always remain seated and keep both hands on the steering wheel when driving the vehicle.
- Sit on the center of the seat and keep both feet within the foot platform perimeter. The foot platform may become slippery from snow or ice. Pay more attention when mounting or dismounting the vehicle.
- Inspect the whole area around the vehicle before moving, especially the back side. Back up slowly. Always look behind before and while backing to avoid a back-over accident. Keep bystanders out of area.
- Do not mount or leave the vehicle while it is in motion or in actual operation.
- Never leave the vehicle unattended with the key in the ignition. After using, always turn the vehicle to the "Stop" position, set the parking brake and remove the key.
- Check overhead clearances carefully before operating under hanging tree branches, wires, etc. or in any other situation where the operator or passenger may be struck or pulled from the unit. Such negligence could result in serious injury.
- Engine must be stopped when cleaning, servicing, adjusting, repairing, or installing attachments on utility vehicle.
- The vehicle and attachment should be stopped and inspected for damage after striking a foreign object. The damage should be repaired before restarting and operating the equipment.
- Do not start and run vehicle in an inside area, unless it is adequately ventilated. Engine exhaust contains carbon monoxide fumes, which is very poisonous and can cause death.
- Always inspect the vehicle before using to make sure it is in safe operating condition.
- Operate blade only in daylight or in good artificial light. Always turn on the vehicle lights while operating in low light situations.
- Avoid overturns—Do not clear snow across the face of slopes. Pay extreme attention when changing direction on slopes. Do not attempt to clear steep slopes.

22. No one should be allowed near the working area when the blade is being operated.
23. Do not overload the vehicle capacity by attempting to clear snow too fast. Take the time to finish the job in a safe manner.
24. Be careful to avoid catching the blade on stumps or other immovable objects.
25. Never use the blade to tow another object.
26. Pay extreme attention when operating the equipment close to ditches, fences or on hillsides.
27. Be sure that the blade is fully raised and is in straightforward position when it is in transport.
28. When being close to buildings or passing through narrow areas, be sure there is enough clearance for the blade.
29. If situations occur which are not covered in this manual, please contact your local Massimo dealer, or call toll free 1-877- 881-6376 for further assistance.

Slope Operation

Slopes are a major factor related to loss of control and rollover accidents, which can result in severe injury or death. If a slope is steeper than a 15° incline, do not operate this unit on the area. Exercise extreme caution while operating on slopes.

Do:

1. Travel straight up and down slopes, not across.
2. Exercise extreme caution when changing direction on slopes.
3. Travel slowly while on a slope. Always keep the forward speed limited when going down slopes.
4. Keep all movement on the slopes slow and gradual. Avoid starting or stopping on a slope.

Do Not:

1. Do not travel near drop-offs, ditches or embankments. The vehicle could suddenly turn over if a wheel is over the edge of a cliff, ditch or if an edge caves in with the weight of the unit.
2. Do not stop or start suddenly when going uphill or downhill. Be especially cautious when changing direction on slopes.
3. Do not turn sideways to the hill. The vehicle may roll over. If you must turn, go slow and do so carefully and gradually.

Children

Tragic accidents can occur if the operator is not alert to the presence of children. Children are often attracted to the vehicle. They do not understand the danger. Never assume that children will stay where you last saw them. Avoid accidents.

- a. Keep children out of the immediate area of the vehicle and in watchful care of a responsible adult other than the operator.
- b. Be alert and turn the vehicle off if a child enters the area.
- c. Before and while reversing, look behind and down for small children.
- d. Never carry small children. They may fall off and be seriously injured or interfere with safe vehicle operation.
- e. Pay extreme attention while approaching blind corners, doorways, shrubs, trees or other objects that may block your vision of a child who may run into the path of the vehicle.
- f. Remove the key when vehicle is unattended to prevent unauthorized operation. Never allow children under 16 years old to operate this vehicle.
- g. 16 - year old children and over should read and understand the operation instructions and safety rules for the vehicle and equipment. They should be trained and supervised by an adult, too.
- h. Do not let children ride in the cargo box, in the driver's or passenger's lap or anywhere other than the passenger seat. Never give small children a ride; not even in the passenger seat. They may fall off.



WARNING: Your Responsibility—Restrict the use of this power machine to persons who read, understand and follow the warnings and instructions in this manual and on the machine.

SAVE THESE INSTRUCTIONS!

2

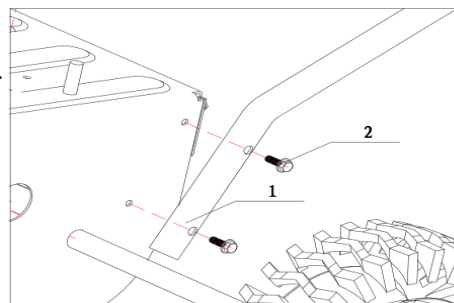
Installing the Snow



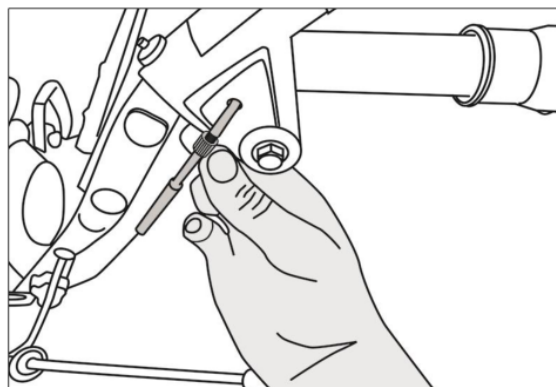
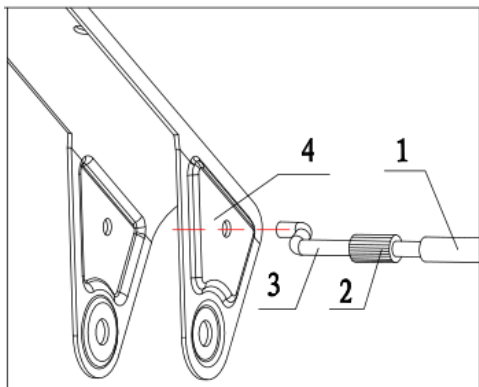
IMPORTANT: Refer to your Massimo Owner's Manual for any information relating to the use of your 4x4 unit. These instructions are for assembly of your new accessory to further enhance your UTV experience.

Installing the Snow Blower

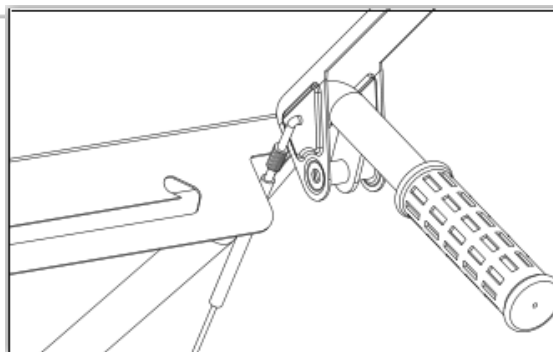
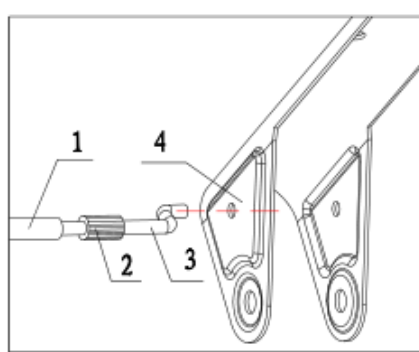
1. **Mount lower handles:** use M8 x 20 (2) bolts, two for each, to mount the lower handles (1) onto the two mounting holes on the left and right sides of the housing respectively.



2. **Install the left pulling line:** install the left pulling line (1) to the hole (4) of the handle as indicated in the diagram.



3. **Install the left pulling line:** install the left pulling line (1) to the hole (4) of the handle as indicated in the diagram



UTV experienced

IMPORTANT

Refer to your Massimo Owner's Manual for any information relating to the use of your UTV unit. These instructions are for assembly of your new accessory to further enhance your

2

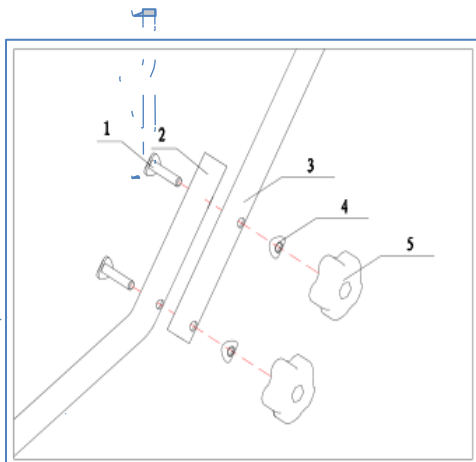
Installing the Snow Blower



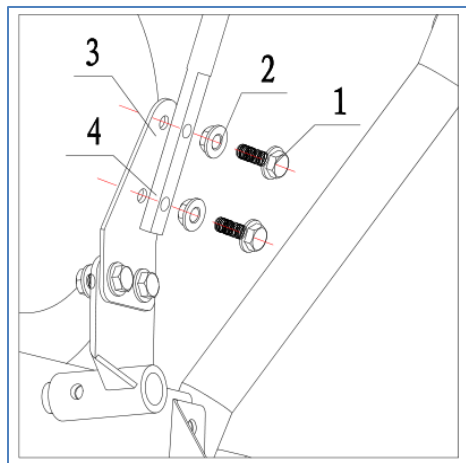
IMPORTANT

Refer to your Massimo Owner's Manual for any information relating to the use of your 4x4 unit. These instructions are for assembly of your new accessory to further enhance your UTV experience.

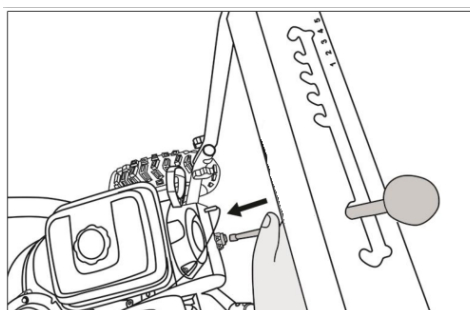
Specifications subject to change without notice or obligation



4. Mount upper handles: Use M8 x 45 leaf-like bolts (1) along with gaskets (4) and Rotary knob M8 (5), two for each, to install the operating handle assembly(3) onto the arm bracket (2) by aligning it to two mounting holes on the left and right sides of the housing respectively.



5. Mount the Gear shift lever:
Use two M6x18 bolt (1) and Nut M6 (2), two pieces, to install the shift lever (4) to Shift fork fix seat (3) on the Gear box.



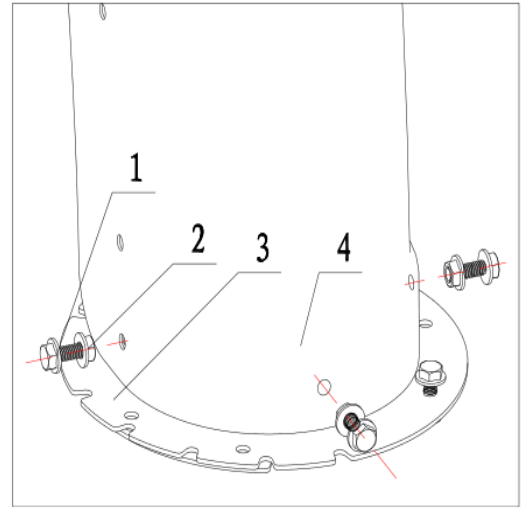
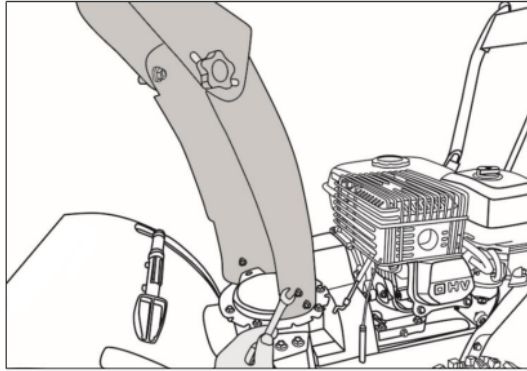
6. Mount the engine cover:
Unscrew the bolt above Air Filter, put engine cover on it.
Unscrew two bolts under the fuel tank, fit the metal cover frame to it
Tight all the screws.



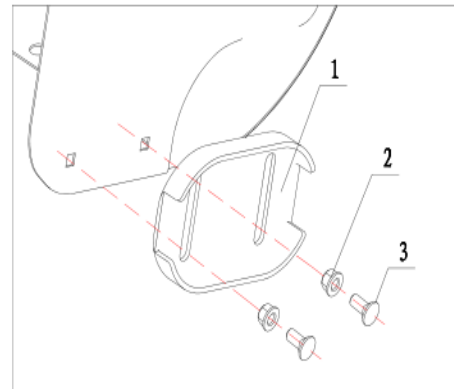
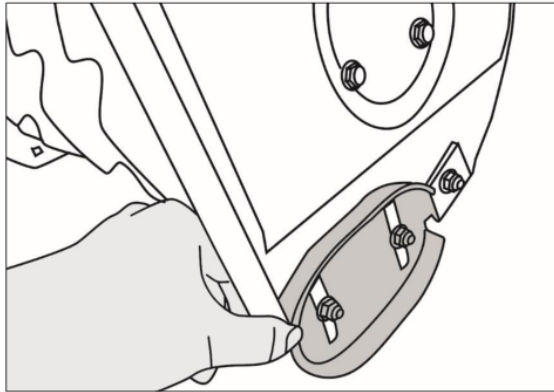
2

Installing the Snow Blower

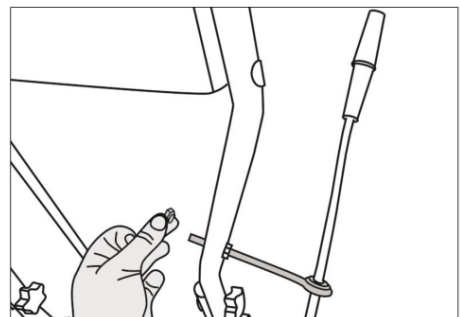
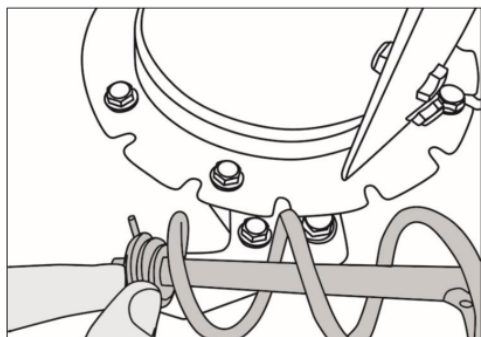
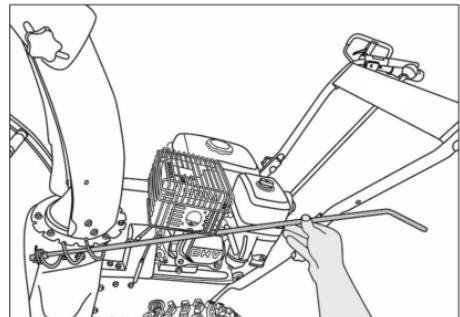
7. **Mount the main chute:** Use three M6x18 bolt (1) and three Nut M6 (2) to install the Main chute (4) to chute washer (3) on the snow bucket.



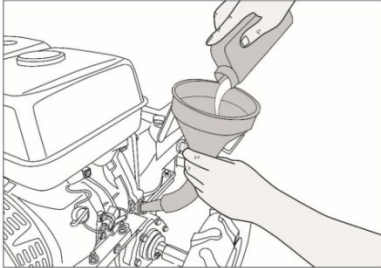
8. **Mount Side feet for Snow bucket:** Use two M8x18 bolt (1) and two Nut M8(2) to install side feet (1) to left and right side of snow bucket.



9. **The Chute Rocker Assembly:** Fit rotary pole to the pole seat beside the chute. Fit pole fixing bracket on the back of the handle.



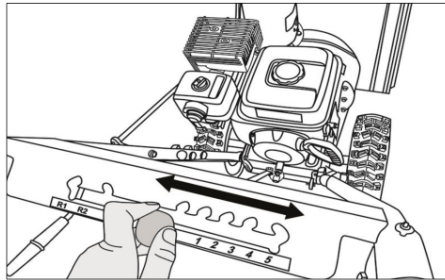
3. Activate and Use:



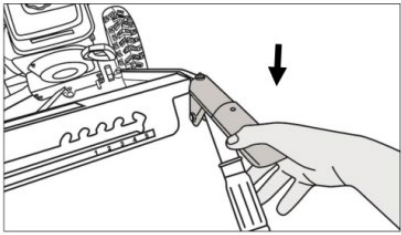
Activate:

1. Fill the engine with 5W30 oil, start the engine as engine manual said. Let the engine run a few minutes to warm before use.

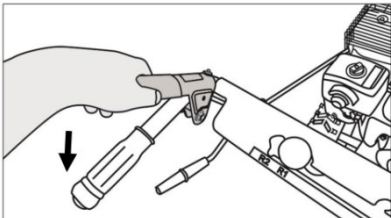
2. Five forward speed and two backward speed are optional.



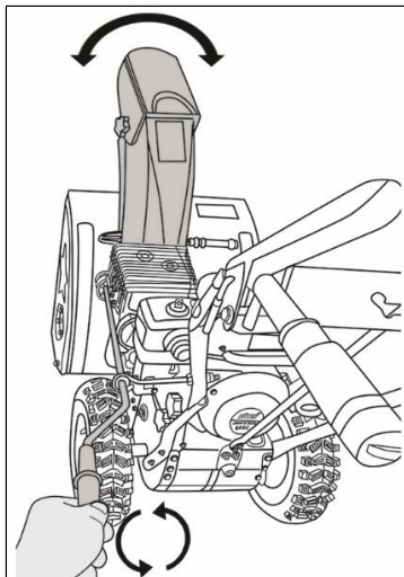
3. The auger control is located on the left handle. Squeeze the control grip against the handle to engage the augers and start snow throwing action. Release to stop.



4. The drive control is located on the right handle. Squeeze the control grip against the handle to engage the wheel drive. Release to stop.



5. The chute directional control is beside the handle of snow thrower. To change the direction in which snow is thrown, turn chute directional control as follows:
Crank clockwise to discharge to the right.
Crank counterclockwise to discharge to the left.



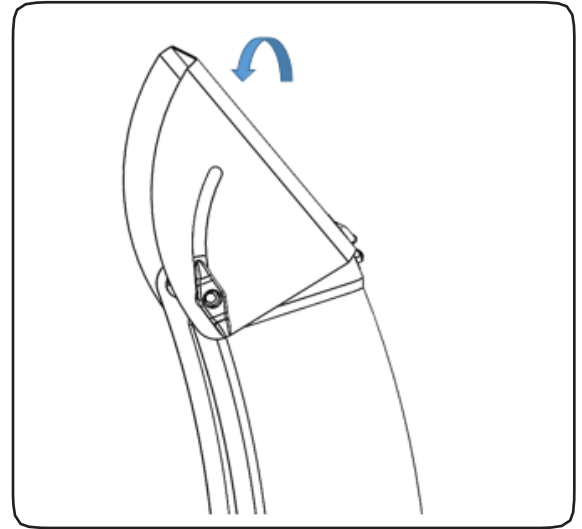
3

**Activate
And us**

3

Activate and Use

- Loosen the knob on the top of the chute to adjust the top of the chute to the desired location.



4 MAINTENANCE SCHEDULE

Service item	Frequency	Type
Motor oil change	After 2 hours and then every 20 hours	SAE 5W30
Drive belts, check	After 2 hours and then every year.	
Linkages, lubricate	Once per year	10W oil
Tire pressure, check	50 hours	
Spark plug check/replace	100 hours	Champ. N11YC, LD F7RTC

4

Routine Maintenance

SPARK PLUG

Check the spark plug once a year or every hundred hours of use. Clean or change the plug if the electrodes are burnt. The engine manufacturer's recommendation: LD F7RTC or equivalent. Correct spark gap: 0.7-0.8 mm.

CARBURETTOR

The carburetor is factory set. If adjustment is required, contact an authorized service station

Notes:

*For parts, accessories or to find a dealer near you, visit:
www.MassimoMotor.com*
