

# SPORTS AFIELD®

*Established 1887*

**QUICK ACCESS SECURITY VAULTS  
INSTRUCTION MANUAL FOR SA-HD2 & SA-HD3**



**H O M E   D E F E N S E**

# TABLE OF CONTENTS

---

<i>IMPORTANT INFORMATION</i> .....	2
<i>1. REGISTRATION</i> .....	3
<i>2. UNDERSTANDING YOUR VAULT</i> .....	4
<i>3. INITIAL ENTRY</i> .....	5
<i>4. BATTERY INSTALLATION</i> .....	6
<i>5. ELECTRONIC LOCK SECURITY CODE SETUP</i> .....	6
<i>6. LOW BATTERY WARNING</i> .....	7
<i>7. SILENT ENTRY MODE</i> .....	7
<i>8. LOCKED OUT OF YOUR VAULT</i> .....	7
<i>9. LOCK OUT MODE / TAMPER PROTECTION</i> .....	7
<i>10. PROPER PLACEMENT AND MOVING OF VAULT</i> .....	8
<i>11. SECURING YOUR VAULT</i> .....	8
<i>12. LOADING YOUR VAULT</i> .....	10
<i>13. MAINTAINING HINGES AND INTERNAL MECHANISMS</i> .....	10
<i>WARRANTY</i> .....	11

# DISCLAIMER - READ BEFORE VAULT SETUP

---

**PLEASE READ THIS INFORMATION CAREFULLY BEFORE OPERATING YOUR SPORTS AFIELD VAULT.**

**DO NOT LOCK THIS MANUAL OR THE OVERRIDE ACCESS KEYS IN YOUR VAULT.**

- Thank you for choosing a Sports Afield vault to protect your valuables. We are committed to securing, organizing and protecting your most important documents, valuables and keepsakes.
- If you experience problems or challenges with your vault, please contact us. Many issues can be quickly resolved without the product being returned.

**Contact Customer Service at [cs@saproducts.com](mailto:cs@saproducts.com) or (888) 792-4264**

## SAFETY

---

- Be sure to keep backup keys stored in a safe place away from unauthorized users
- Do not put anything in your vault that will put pressure against the door when it is closed

## WEAPON STORAGE

---

- If you choose to utilize this vault to store a firearm always follow proper firearm and local laws when storing a firearm.
- SA Consumer Products strongly recommends that you do not store loaded firearms.
- Always follow the firearm safety rules set out by the firearm's manufacturer.
- A Sports Afield vault or any other firearm storage device cannot take the place of other safety procedures including advising children of the dangers of firearms.
- SA Consumer Products and its distributors of the Sports Afield vaults do not recommend, suggest, advise, promote, or otherwise condone the ownership or use of firearms. We believe the decision to own or use a firearm is a serious decision that should only be made by an adult who has carefully considered the risks and benefits of such a decision.

# 1. REGISTRATION

---

**Register your vault at [www.saproducts.com](http://www.saproducts.com)**

By registering your Sports Afield vault we will be able to expedite and address any problems or challenges you may have which would otherwise require a notary letter and proof of payment.

## REGISTRATION FORM

---

The information you record onto this page will be required in the event you cannot access the contents of your Sports Afield Vault. Please fill out all the required information below and retain for your records and safe keeping.

PLEASE HAVE THIS INFORMATION READY PRIOR TO CALLING FOR TECHNICAL ASSISTANCE AT:

**Contact Customer Service at [cs@saproducts.com](mailto:cs@saproducts.com) or (888) 792-4264**

**PURCHASE DATE:**

---

**PURCHASE PRICE (BEFORE TAX):**

---

**MODEL NUMBER:**

---

**SERIAL NUMBER:**

---

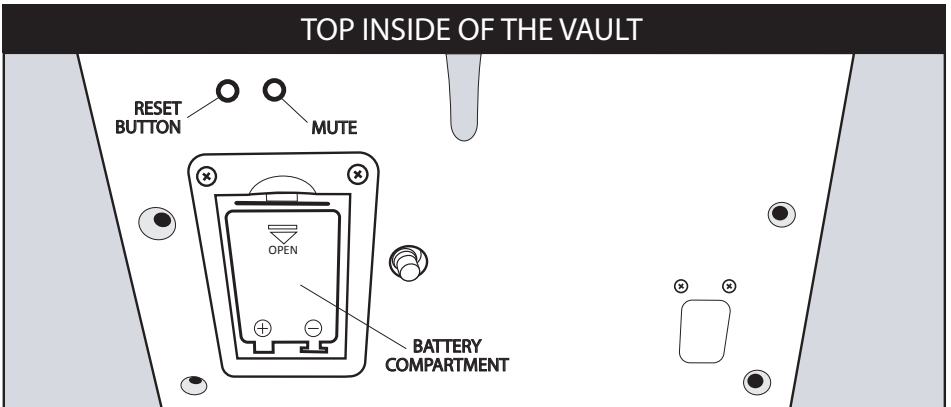
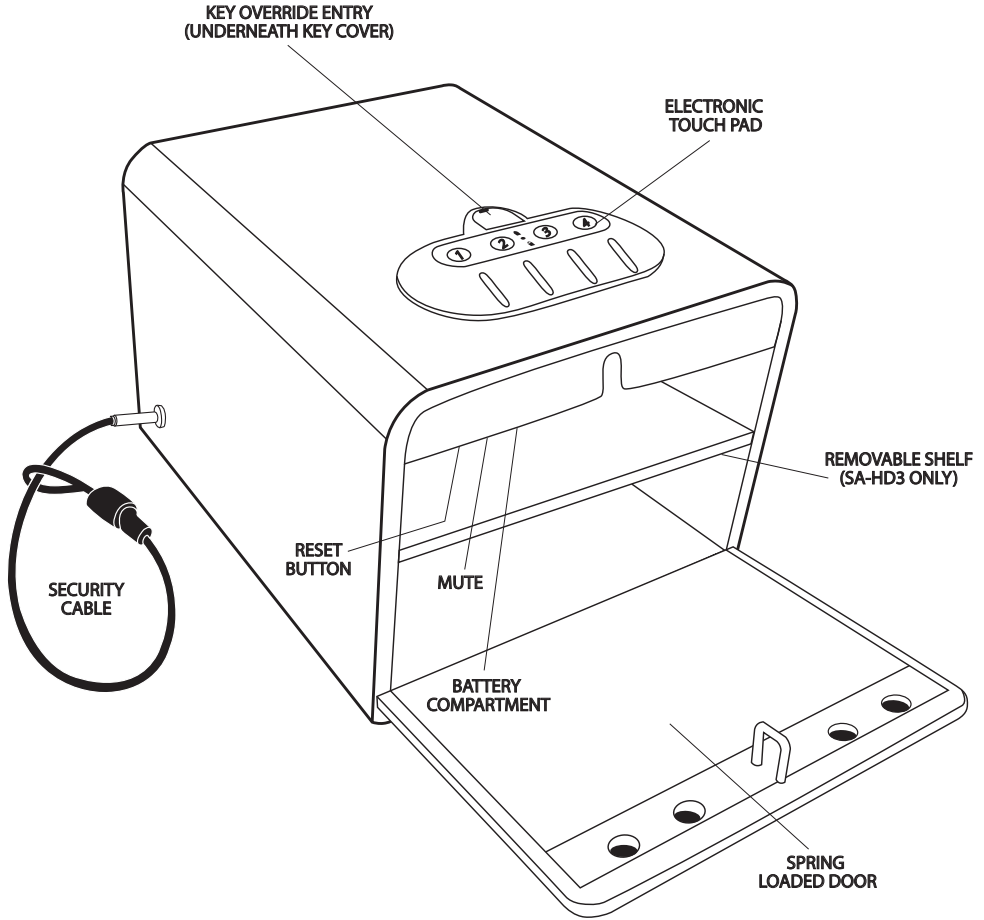
**RETAILER NAME:**

---

**KEY NUMBER (IF APPLICABLE):**

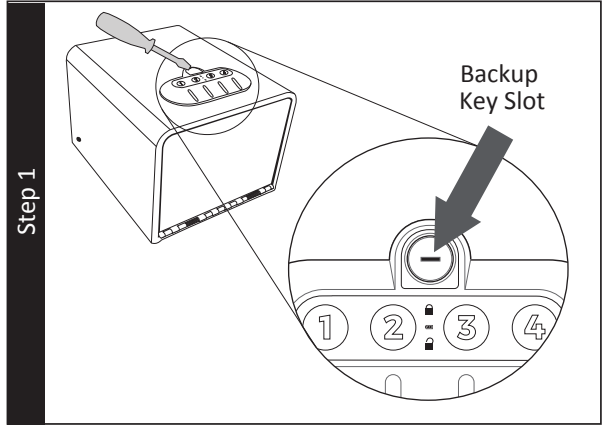
---

## 2. UNDERSTANDING YOUR VAULT

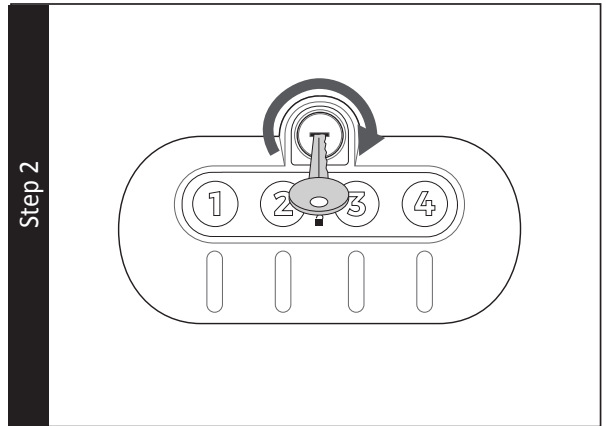


### 3. INITIAL ENTRY

1. Locate the override key attached to the product packaging. Remove the override key cover carefully by placing a flat end screw driver into the slot and pry it upwards.

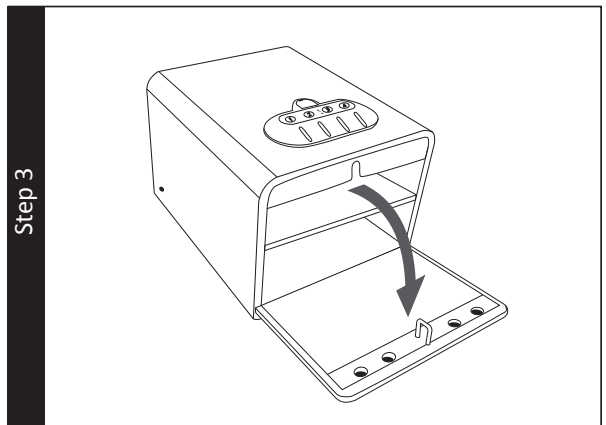


2. Turn the key clockwise to unlock your vault.



3. The spring loaded door will drop open and you now have access to your vault.

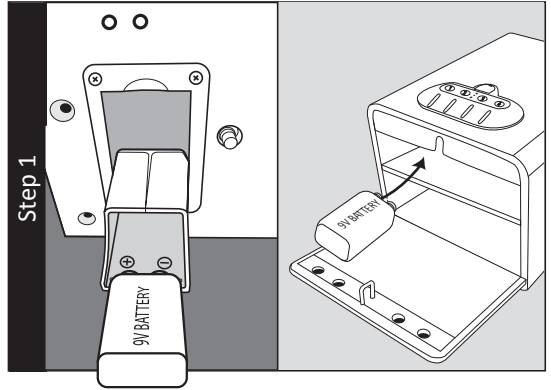
**WARNING: BE SURE NOT TO PLACE VALUABLES OR HANDS IN FRONT OF DOOR AS THE FORCE OF THE DOOR OPENING DOWNWARD COULD CAUSE DAMAGE OR INJURY.**



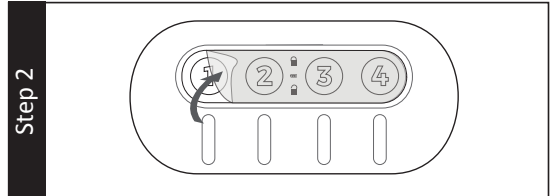
## 4. BATTERY INSTALLATION

**WARNING:** The battery must be inserted with the correct polarity. Exhausted battery must be removed from the product and discarded safely. Do not use rechargeable (nickel – cadmium) batteries.

1. Locate the battery compartment on the inside of the door panel. Insert the batteries in the proper orientation and order. Touch pad will beep when batteries are successfully installed.

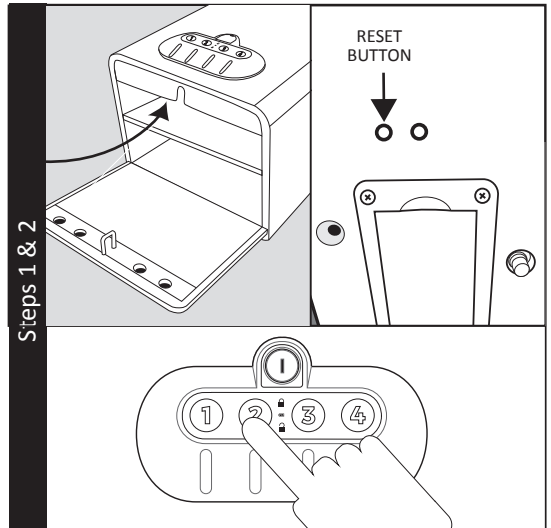


2. Remove protective film on keypad.



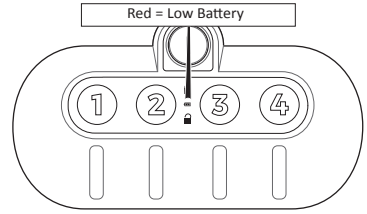
## 5. ELECTRONIC LOCK SECURITY CODE SETUP

1. Push the reset button, you will hear two beeps and the green light will flash two times. Input your 3-8 digit code.
2. Once complete push the reset button to lock in your new code.
3. Once set up is complete, remove keys and replace battery cover.



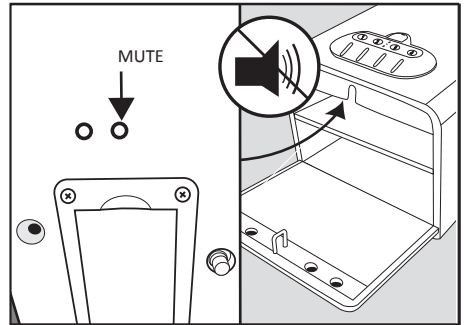
## 6. LOW BATTERY WARNING

- This E-Lock is equipped to alert you when the batteries are low by illuminating the red light (center) on the touch pad.
- Always test the batteries when installing or replacing. If the red light comes on when a button is pressed you know the batteries are not fully charged.



## 7. SILENT ENTRY MODE

- By activating the Silent Entry Mode, the vault will no longer make audible sound.
- With your safe open, locate the two buttons on the inside and top of your safe. Hold the right button for at least three seconds until the green light flashes 2 times and the Silent Entry Mode will be activated. To reactivate sound, hold the right button for at least three seconds, until the vault beeps 2 times and the green light flashes 2 times.

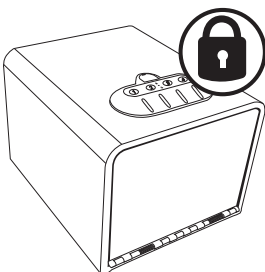


## 8. LOCKED OUT OF YOUR VAULT

- In the event you have forgotten the security code you will need to use your backup keys to gain access to your vault. Follow the E-Lock Security Setup Code instructions.
- If you have lost your backup keys, you will need to contact customer service at the number below. Proof of purchase is required to obtain keys.

Contact Customer Service at [cs@saproducts.com](mailto:cs@saproducts.com) or (888) 792-4264

## 9. LOCKOUT MODE / TAMPER PROTECTION



1. Three consecutive incorrect code entries will put the vault in "Basic Lockout" mode. Touch pad is deactivated for 30 seconds.
2. After "Basic Lockout" mode has ended, another three consecutive incorrect code entries will result in "Severe Lockout" mode. Touch pad is deactivated for 5-minutes.



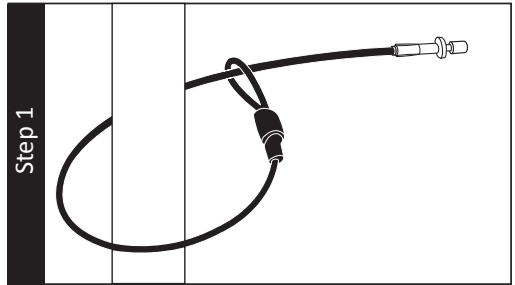
# 10. PROPER PLACEMENT AND MOVING OF VAULT

1. To maximize burglary protection and stability, securing the vault to the floor or wall stud is recommended.
2. SA Consumer Products recommends that you store your vault in a closet, office, basement, bedroom or any other location that is convenient for you but out of direct line of sight from prying eyes.
3. Always ensure the vault is in an isolated and dry area. Never place the vault in direct contact with a wet floor. When installing your vault on a concrete floor, use of a moisture/protective barrier is highly recommended. Failure to do so, or exposing the vault to chemicals or other adverse environments, may void the warranty.

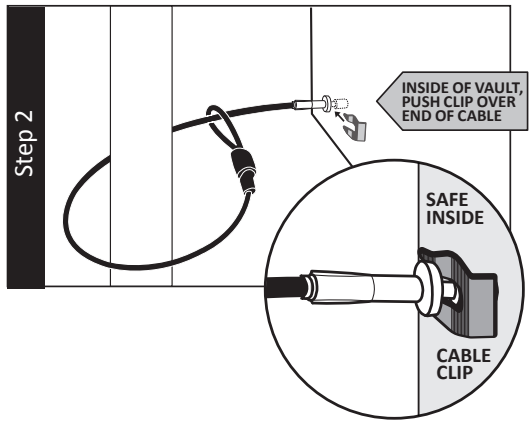
# 11. SECURING YOUR VAULT

## SECURING YOUR VAULT WITH PROVIDED CABLE

1. A security cable is included with your vault. To secure the cable around a fixed object, first loop the cable around the object as shown in the figure to the right.



2. Insert the cable's metal peg end into the hole on the side of the vault while still open.
3. From the inside of the vault, take the cable clip and push it over the metal peg until fully secured. Use pliers if needed.

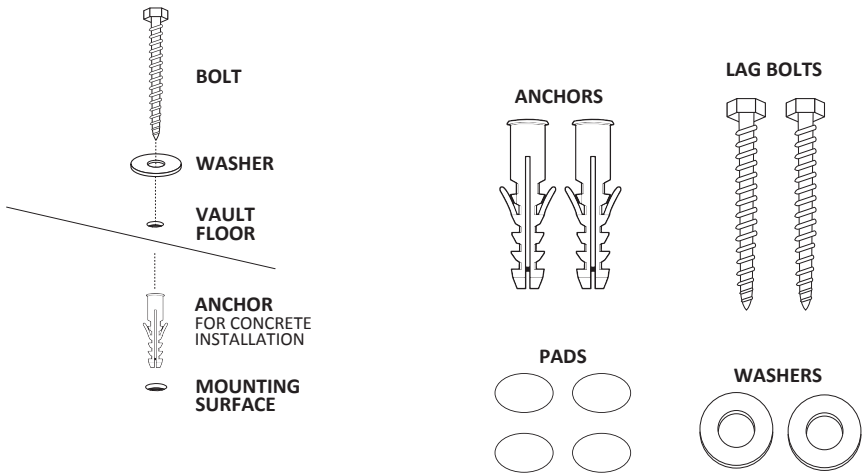


Locking the vault with the cable loop inside will secure the cable inside the vault. Check the loop to ensure there is no way it can be manipulated to be easily removed from the fixed object before leaving unattended.

# 11. SECURING YOUR VAULT CONTINUED

## TOOLS AND HARDWARE NEEDED TO SECURE VAULT TO A WOOD OR CONCRETE SURFACE:

- **DRILL/HAMMER DRILL**
- **3/16" DRILL BIT**  
(FOR WOOD INSTALLATION)
- **1/2" SOCKET WRENCH**
- **4 STEEL LAG BOLTS (NOT INCLUDED)** - SIZE 1/4" X 1.50" TO 2.0" LONG
- **4 STEEL WASHERS (NOT INCLUDED)** - 1/4"
- **4 PLASTIC ANCHORS (NOT INCLUDED)** - SIZE #10-12 X 1.5" TO 1.75" LONG  
(FOR CONCRETE INSTALLATION)
- **4 PADS (INCLUDED)**



1. Use the recommended hardware or consult your hardware retailer for fastening hardware for your particular mounting surface.
2. Open the vault door to provide access to the factory drilled bolt down holes that are located under the protective foam liner.
3. To secure your vault to the floor, it will first be necessary to mark and drill pilot holes in the floor surface.
4. Drill the appropriate diameter and depth of pilot holes based on the type of hardware being used and the type of floor surface. We recommend using a hammer drill and a concrete drill bit to drill the four corresponding holes in the mounting surface.
5. Secure the vault by threading anchor bolts through the factory drilled bolt down holes in the vault and screw down tight with a ratchet wrench.

## **12. LOADING YOUR VAULT**

---

1. Store ammunition separately from valuables.
2. Do not put anything in your vault that will put pressure against the door when it is closed.

## **13. MAINTAINING HINGES AND INTERNAL MECHANISMS**

---

The hinges and internal locking mechanism are permanently lubricated, thus needing no maintenance. Opening the door panel of your vault may void your warranty. Always consult our customer service experts prior to doing so.

# THREE YEAR WARRANTY

SA Consumer Products will repair or replace, at their sole discretion, any Sports Afield vault with defective parts, paint or lock for three years of the original owner purchase date.

If SA Consumer Products deems a replacement vault is to be sent, they will pay the freight costs to ship the replacement vault to the original owner.

This three year warranty is limited to the vault and expressly excludes any loss associated with the contents of the vault.

SA Consumer Products reserves the right to receive full evidence of your misfortune, such as a police report and/or homeowner's statement of coverage. This warranty is not valid outside of the United States and Canada.

Proof of registration and copy of sales receipt must be on file at the time of claim. Visit our website at [www.saproducts.com](http://www.saproducts.com) to register your vault.

Three year warranty only applies to the original owner of the vault.

SA Consumer Products shall only be responsible and liable when the vault is used in compliance with the directions specified in your new SA Consumer Products owner's manual.

SA Consumer Products requires that specific guidelines be followed for repair. The vault will be repaired in-home if possible (to include parts and labor); however, if factory replacement is necessary (at SA Consumer Products's sole discretion), the replacement will be shipped freight prepaid, curbside delivery.

This warranty is inclusive and is in lieu of any and all other warranties, express or implied. Specifically excluded are the warranties of merchantability and fitness for a particular purpose. This warranty is limited to the vault itself and/or its value and does not include consequential damages of any kind including, but not limited to, the contents in and of the vault.