



**MASSIMO
MOTOR**



GKA 200 OWNER'S MANUAL

PLEASE CHECK YOUR LOCAL RIDING LAWS AND REGULATIONS BEFORE OPERATING THIS VEHICLE.
This GO KART should not be ridden by anyone under 16 years of age.

READ THIS MANUAL CAREFULLY BEFORE YOU USE THIS VEHICLE!
It contains important safety information.

WARNING

Improper use can result in SEVERE INJURY or DEATH



ALWAYS USE
AN APPROVED
HELMET AND
PROTECTIVE
GEAR FOR
DRIVER AND
PASSENGER



NEVER USE
ON PUBLIC
ROADS



NEVER CARRY
MORE THAN
1 PASSENGER



NEVER USE
WITH DEUGS
OR ALCOHOL

NEVER operate:

- without proper ATV teaining or instruction
- at speeds too fast for your skills or the conditions
- on public roads-a collision can occur with another vehicle
- with a passenger unless pasenger seat is securely in place.

THE OPERATOR MUST **ALWAYS**:

- use proper riding techniques to avoid overturns on hills and rough terrain and in turns
- avoid paved surfaces-pavement may seriously affect handling and control
- reduce speed and use ectra caution at all times when carryig apassenger-dismount passenger when conditions require
- make sure passenger reads and understands this label and passenger safety label

LOCATE AND READ OPERATOR'S MANUAL.
FOLLOW ALL INSTRUCTIONS AND WARNINGS

WARNING



Operating this ATV if you are under the age of 16 increases the chances of severe injury or death to both operator and passenger.

NEVER operate this vehicle if you are under age 16.

INTRODUCTION

Congratulations on your purchase of the Go kart. This GO KART represents the result of many years of factory experience in the production of fine sporting machines.

This manual will provide you with a good basic understanding of the features and operation of this GO KART.

This manual includes important safety information. it provides information about special techniques and skills necessary to ride the Go kart .it also includes basic maintenance and inspection procedures.

If you have any questions the operation or maintenance of your Go kart, please consult the sales dealer.

SAFETY INFORMATION

★A GO KART IS NOT A TOY AND CAN BE HAZARDOUS TO OPERATE.

★READ THIS MANUAL TOGETHER WITH TIPS FOR THE GO KART RIDER CAREFULLY AND COMPLETELY BEFORE OPERATING YOUR GO KART. MAKESURE YOU UNDERSTAND ALL INSTRUCTIONS.

★PAY CLOSE ATTENTION TO THE WARNING AND CAUTION LABELS ON THE GO KART.

★NEVER OPERATE AN GO KART WITHOUT PROPER TRAINING OR INSTRUCTION.

★THIS GO KART, AND ANY OTHER GO KART OVER 90cc, SHOULD NOT BE OPERÆED BY A CHILD UNDER 16 YEARS OF AGE. THESE CHILDREN MAY NOT BE ABLE TO OPERATE THIS VEHICLE SAFELY DUE TO PHYSICAL OR MENTAL LIMITATION.

- ☆ Always avoid operating an GO KART on any paved surfaces, including sidewalks, driveways, parking lots and streets.
- ☆ This GO KART is designed for operation by a single person or with one passenger only.
- ☆ Never operate an GO KART on any public street, road or highway, even a dirt or gravel one. This GO KART is designed and manufactured for use only off public roads.
- ☆ Never operate an GO KART without wearing an approved motorcycle helmet that fits properly. You should also wear eye protection (goggles or face shield), gloves, boots, a long-sleeved shirt or a jacket, and long pants.
- ☆ Never consume alcohol or drugs before or while operating this GO KART.
- ☆ Never operate the GO KART on hills too steep for the GO KART or for your abilities. Practice on smaller hills before attempting larger hills.
- ☆ Never modify an GO KART through improper installation or use of accessories.
- ☆ Never attempt wheelies, jumps, or other stunts.
- ☆ Always inspect your GO KART each time you use it to make sure it is in safe operating condition. Always follow the inspection and maintenance procedures and schedules described in this manual.
- ☆ Always keep both hands on the handlebars and both feet on the footrests of the GO KART during operation.
- ☆ Always follow proper procedures for turning as described in this manual. Practice turning at low speeds before attempting to turn at faster speeds and never turn at excessive speeds.
- ☆ Never permit vehicle refueling by anyone other than an adult.
- ☆ Never permit anyone other than an adult to start the GO KART.
- ☆ Drain gasoline from the fuel tank and carburetor prior to transporting the GO KART.
- ☆ Caution the child and others near the vehicle not to get close to touch any moving parts or any heated areas such as the engine and exhaust pipe.
- ☆ Do not allow the vehicle to be ridden at night, because this vehicle is not equipped with a headlight.

IMPORTANT

Please read this manual carefully. You should pay special attention to these items with “**WARNING**” and “**CAUTION**” words and must review the contents for the items.

WARNING	Failure to follow WARNING instructions could result in severe injury or death to the GO KART operator, a bystander, or a person inspecting or repairing the GO KART.
----------------	--

CAUTION	A CAUTION indicates special precautions that must be taken to avoid damage to the GO KART.
----------------	--

⚠ WARNING

POTENTIAL HAZARD

Improper handling of gasoline.

WHAT CAN HAPPEN

Gasoline can catch fire and you could be burned.

HOW TO AVOID THE HAZARD

Always turn off the engine when refueling.
Do not refuel right after the engine has been running and is still very hot.

Do not spill gasoline on the engine or exhaust pipe/muffler when refueling.

Never refuel while smoking, or in the vicinity of sparks, open flames, or other sources of ignition such as the pilot lights of water heaters and clothes dryers.

When transporting the ATV in another vehicle, be sure it is kept upright and that the fuel cock is in the "OFF" position. Otherwise, fuel may leak out of the carburetor or fuel tank.

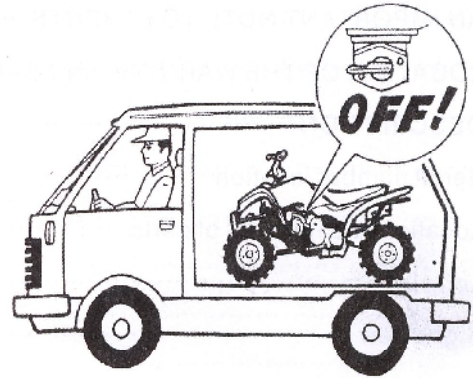
WHAT CAN HAPPEN

Gasoline is poisonous and can cause injuries.

HOW TO AVOID THE HAZARD

If you should swallow some gasoline or inhale a lot of gasoline vapor, or get some gasoline in your eyes, seek medical help immediately.

If gasoline spills on your skin, wash with soap and water. If gasoline spills on your clothing, change your clothes.



Contents

AN IMPORTANT NOTE TO PARENTS.....	1
LOCATION OF THE WARNING AND SPECIFICATION LABELS.....	2
DESCRIPTION.....	3
Serial number location.....	3
Location and function of parts.....	4
Ignition switch.....	5
Remote engine stop switch.....	5
Parking brake plate.....	6
Throttle lever.....	6
Throttle limiter screw.....	7
Fuel petcock.....	8
Chock lever.....	8
Shift pedal.....	9
Fuel tank cap.....	9
Fuel.....	9
Charging and installation of battery.....	10
Checking before riding.....	11
Adding fuel and engine oil.....	12
Front and rear brakes.....	13
Ride with care and good judgment.....	14
Get training if you are inexperienced.....	14
Not recommended for children under 16 years of age.....	14
Apparel	15
Do not operate after consuming alcohol or drugs.....	16

Starting and riding.....	16
Starting the engine.....	16
Riding	17
Turning	18
Braking	18
Stopping.....	19
Parking brake.....	19
Instructing the young rider.....	20
INSPECTION AND MAINTENANCE.....	22
Periodic maintenance chart for the emission control system.....	23
General maintenance and lubrication chart.....	24-26
Toolkit.....	27
Tire.....	27
Braking system.....	27-28
Lubrication driven chain.....	28
Gear box lubricating oil.....	29
Inspection of battery.....	29
Troubleshooting chart.....	30
CLEANING AND STORAGE.....	31
Cleaning.....	31
Storage.....	32
SPECIFICATION.....	33
MAINTENANCE RECORD.....	33
WARRANTY.....	34-37
SPECIFICATIONS.....	38-40
WIRING DIAGRAM.....	41

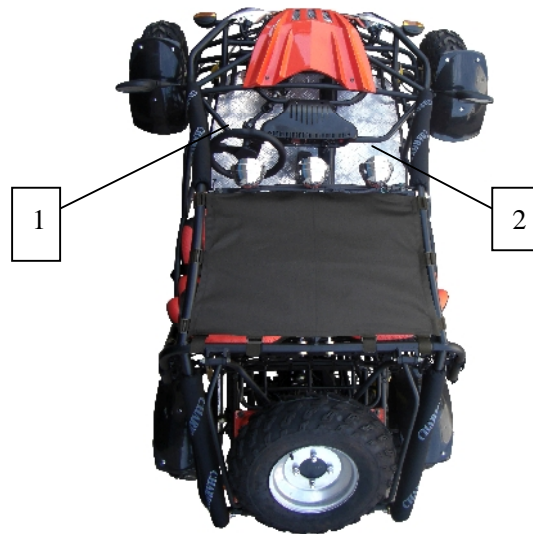
AN IMPORTANT NOTE TO PARENTS:

This Go kart is not a toy. Before you let your child ride this Go kart, you should understand the instruction and warning in this Owner's manual. Then be sure your child understands and will follow them. Children differ in skills, physical abilities and judgment. Some children may not be able to operate an Go kart safely. Parents should supervise their child's use of the Go kart at all times. Parents should permit continued use only if they determine that the child has the ability to operate the Go kart safely.

Your Go kart was delivered with an adjustable speed limiter and also with an air intake restrictor. We Recommend that all beginners start off with the speed limiter screw turned in and the air intake restrictor plate installed to limit the amount of speed available while they learn. The limiter screw may be gradually turned out to increase maximum speed as the beginner becomes more familiar with operating the Go kart. Parents should decide when to adjust the Go kart for more power as their youngster's riding skills improve. Once the Go kart rider can operate with skill at the top speed permitted by adjusting the speed limiter alone, the air intake restrictor plate can be removed. Since removal of this plate will result in a significant increase in power, turn the speed limiter back in again; adjust it out in stages as you did before.

If your child is a beginner or is inexperienced, he or she should take a training course. See the previous page for information about the free training available to purchaser of new Go karts.

LOCATION OF THE WARNING AND SPECIFICATION LABELS



★Read and understand all of the labels on your Go kart. These labels contain important information for safe and proper operation.

★Never remove any labels from your Go kart. If a label becomes difficult to read or comes off, request a replacement label from your dealer.

DESCRIPTION

1. serial number location

Engine serial number and frame serial number (VIN number) are used to mark the motor vehicle, if some parts need special service, these marks can provide you or a technician with useful information. Engine serial number is stamped on the topside of the engine transmission case. Frame serial number (VIN brand) is located on the frame head pipe.

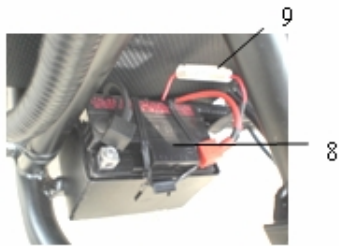
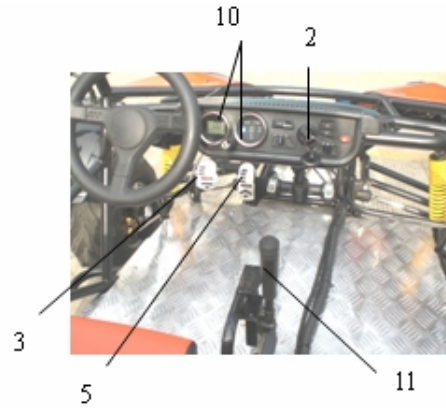
Please write down the engine serial number (VIN number) in the following blanks, in the future.

Engine Serial Number:

Frame Serial Number:

2.Location and Function of parts

- 1. Brake pole
- 2. Ignition switch
- 3. Brake Pedal
- 4. Fuel tank
- 5. Accelerator Pedal
- 6. Fuel Tank Cap
- 7. Luggage rack
- 8. Battery
- 9. Fuse
- 10. Instrument and indicator light
- 11. Shifter



2.1 Ignition switch

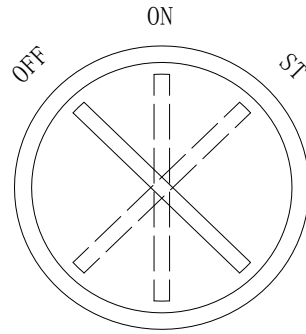
Ignition switch is located at right side of the body, which has two positions “NO” , “OFF” and “ST” .

“NO” :Turn on power, the vehicle is started, the key can be pulled out.

“OFF” :Cut off power, the vehicle could not be started, the key can be pulled out.

“ST” : the switch is twisted to this location, can start the engine (brake pedal in the braking state)

Pulling the key out, can prevent non-owners from operating the vehicle.



2.2. Brake Pedal

Hold the brake pedal with right foot. The rear brake is in action, the vehicle speed will decrease until the vehicle stops. In addition, hold the brake pedal to start the engine.



Brake pedal

2.3 Parking Brake

To Engage: hold foot brake pedal then pull upwards to activate parking brake.

To Disengage: Press button on Parking Brake lever and move to the down position.



1.Parking Brake

2.4.Accelerator Pedal

Used to control the vehicle speed. Push the throttle lever forward, throttle up, accelerate the vehicle, release the lever and reduce the speed until the vehicle is idle.

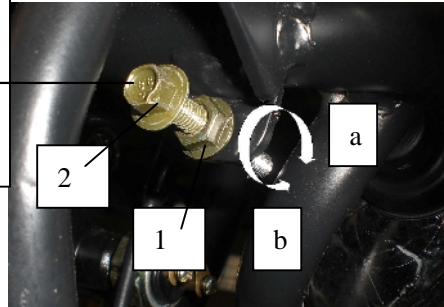
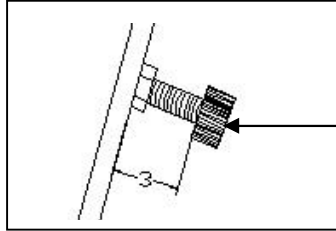


2.Accelerator Pedal

2.5 Throttle limiter screw

The throttle limiter screw can restrict maximum engine, power by limiting throttle lever travel, thus restricting the vehicles maximum speed, Adjust the throttle limiter screw according to the riders skill and experience.

Method: loosen the lock nut. Turn the throttle limiter screw clockwise to decrease the maximum speed or counterclockwise to increase the maximum speed, after adjusting tighten the lock nut.



1. Locknut
2. Adjusting screw
3. No more than 20mm(0.8in)

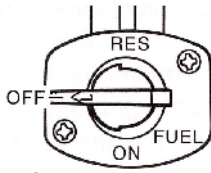
2.6 Fuel petcock

The fuel petcock is rotary valve between the tank and carburetor, it has three positions.

“**ON**” when the lever is on this position, the fuel will flows to the carburetor., normal 1 riding is done with this position.

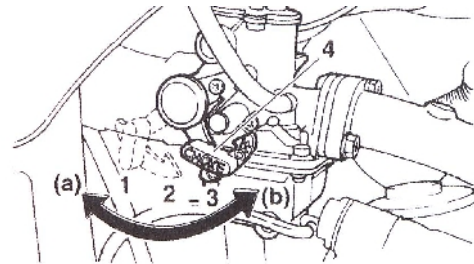
“**RES**” :if you run out of fuel while riding , turn lever to this position, then refuel at the first opportunity.

“**OFF**” : when the lever is on this position, the fuel line is cut out ;when the engine is not running , the lever should be set to this position.



2.7 Choke lever

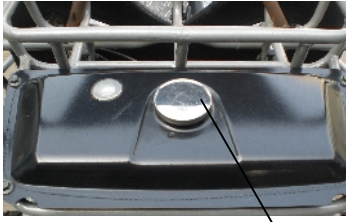
Choke lever is located in the right side of the body. It is used to increase the fuel/air mixing ratio when the engine start in cold state. Pull the choke lever out “a” position the engine is in start state. After the vehicle start, preheat the engine for 2-3 minutes, then push it back to the “b” position, it is in run state this time



1. Fully open “ON”
2. Half open (warming up position)
3. Closed “OFF”
4. Chock

2.9 Fuel tank cap

Remove the fuel tank cap by turning it counterclockwise

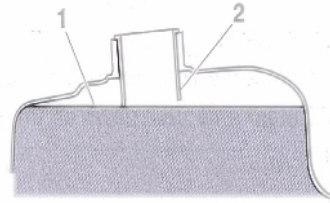


1

1. Fuel tank cap

2.10 Fuel

Make sure that there is sufficient fuel in the tank. Fill the fuel tank to the bottom of the filler tube as shown.



1. Fuel level
2. Filler tube

Recommended fuel: UNLEADED GASOLINE ONLY - 90 Octane or Higher

CAUTION:

Use only unleaded gasoline. The use of leaded gasoline will cause severe damage to internal engine parts, such as the valves and piston.

3. Charging and Installation of Battery

Before starting the vehicle, install the battery first. Before installing the battery, pour in the electrolyte first. Then press the strip seal on the top cap firmly. Charge the battery according to the battery service manual. This will achieve the best starting effectiveness. And prolong to the battery's life. After charging, install the battery into the battery case, and tighten it firmly with tighten belt.

CAUTION:
● Never take out the seal plug, so as to avoid causing danger such as the water entering into the battery and electrolyte leaks.
● The battery should installed securely.
● Do not to connect the “+”, “- ” electrodes reversed. Check red to red (+) black to black (-).
● Do not place the battery near high temperature, fire or smoke.

4. Checking before riding

Before operating this GO KART, be sure to check the items listed in the following table.

ITEM	ROUTINE
Fuel	<ul style="list-style-type: none"> • Check fuel level in fuel tank, and add recommended fuel if necessary • Check fuel line for leakage. Correct if necessary.
Engine oil	<ul style="list-style-type: none"> • Check oil level in engine, and add recommended oil to specified level if necessary. • Check GO KART for oil leakage. Correct if necessary.
Final gear oil	<ul style="list-style-type: none"> • Check GO KART for oil leakage. Correct if necessary.
Front brake	<ul style="list-style-type: none"> • Check operation, and correct if necessary. • Lubricate cable if necessary.
Rear brake	<ul style="list-style-type: none"> • Check operation, and correct if necessary. • lubricate cable if necessary. • check level and pedal free play, and correct if necessary.
Throttle lever	<ul style="list-style-type: none"> • Make sure that operation is smooth, and check cable free play. • Lubricate cable and lever housing if necessary.
Control cables	<ul style="list-style-type: none"> • Make sure that operation is smooth, lubricate if necessary.
Wheels and tires	<ul style="list-style-type: none"> • Check wheel condition, and replace if damaged. • Check tire condition and tread depth. Replace if necessary. • Check air pressure. Correct if necessary.
Brake and shift pedals	<ul style="list-style-type: none"> • Make sure that operation is smooth. lubricate pedal pivoting points if necessary.
Brake levers	<ul style="list-style-type: none"> • Make sure that operation is smooth. lubricate pedal pivoting points if necessary.
Chassis fasteners	<ul style="list-style-type: none"> • Make sure that all nuts, bolts and screws are properly tightened.
Instruments and switches	<ul style="list-style-type: none"> • Check operation, and correct if necessary.
Battery	<ul style="list-style-type: none"> • Check electrolyte level. Fill with distilled water if necessary.

4.1 Adding Fuel and Engine oil

Check before riding, add it in time, if you find fuel is not enough.

CAUTION:

- Spilling gasoline can harm your vehicle, any gasoline can damage painted surface.
- Be careful not to spill any gasoline when fill the fuel tank. Wipe spilled gasoline up immediately.

4.1.1 Refueling

Screw off the fuel tank cap counterclockwise, refuel until reaching to the position as shown in fig. 2.10.

4.1.2 Adding engine oil

Using premium four-stroke engine oil recommended oil: SAE 10W/40.

- Warm the engine up for about 5 minutes, remove to oil drain screw to let all oil flow out.
- Remove drain plug, allow used oil to drain, then clean plug & surrounding area.
- Refill oil to the upper limitation position of the gauge.
- Reinstall the oil dipstick.

WARNING

- After adding fuel or engine oil, the tank cap must be screwed on tightly.
- Do not permit anyone except adult to add fuel or engine oil.
- Add fuel in well ventilated area only.
- The engine must be stopped when adding fuel, and prevent fuel from spurting out onto the warm engine.
- No smoking and fire when adding fuel.
- The children should be far away when the adult is adding fuel.
- Avoid contacting skin with the gasoline and breathing in gasoline vapors.

4.2 Front and rear brakes**4.2.1 Brake and rear pedal**

Check for correct free play in the brake levers and brake pedal. If the free play is incorrect, adjust it.

Check operation of the brake levers and brake pedal. They should move smoothly and there should be a firm feeling when the brakes are applied. If not, have the GO KART checked by the sales dealer.

4.2.2 Brake operation

Test the brakes at slow speed after starting out to make sure they are working properly. If the brakes do not provide proper braking performance, check the brake linings for wear.

5. Ride with care and good judgment

5.1 Get training if you are experienced.

Beginners should get training from a certified instructor.

Become familiar with this GO KART at slow speeds first, even if you are experienced operator. Do not attempt to operate at maximum performance until you are totally familiar with the GO KART's handling and performance characteristics.

5.2 Not recommended for anyone under 16years of age.



5.4 Apparel

WARNING

POTENTIAL HAZARD

Operating this GO KART without wearing an approved motorcycle helmet, eye protection and protective clothing.

WHAT CAN HAPPEN

Operating without an approved motorcycle helmet increases your chances of severe head injury or death in the event of an accident.

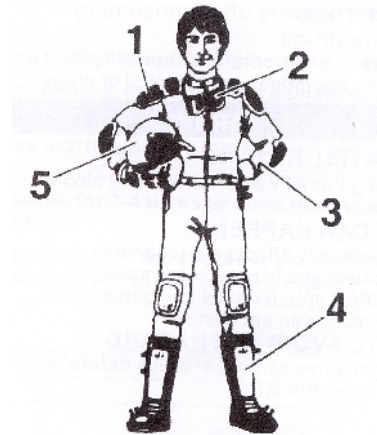
Operating without eye protection can result in an accident and increases your chances of a severe injury in the event of an accident. Operating without protective clothing increases your chances of severe injury in the event of an accident.

HOW TO AVOID THE HAZARD

Always wear an approved motorcycle helmet that fits properly.

You should also wear:

- eye protection (goggles or fact shield)
- golves
- boots
- long-sleeved shirt or jacket
- long pants



1. Protective clothing
2. Goggles
3. Gloves
4. Boots
5. Helmet

5.5 Do not operate after consuming Alcohol or drugs.

The operator's performance capability is reduced by the influence of alcohol or drugs.

WARNING

POTENTIAL HAZARD

Operating this GO KART after consuming alcohol or drugs..

WHAT CAN HAPPEN

Could seriously affect your judgment.
Could cause you to react more slowly.
Could affect your balance and perception.
Could result in an accident.

HOW TO AVOID THE HAZARD

Never consume alcohol or drugs before or while driving this GO KART.



6. Starting and riding

Before riding, please read this section carefully.

6.1 Starting the engine.

Insert the key into the ignition switch (Now it on the "OFF" position). Turn the fuel petcock to the "ON" position, the engine kill switch to the "RUN" position, the remote engine stop switch to the installed position. Shift to neutral.

6.1.1 Starting in cold state.

(1) Pull the choke lever out.

Turn the key switch to "ON" position. After the rider bestrides on the saddles, set the parking brake plate, press the starting button with the left thumb, then the engine should start up.

6.1.2 Starting in warm state

(1) Don't pull the choke lever and let it in the original position.

(2) Start the engine following the step 2-3 in

6.1.1

WARNING

- Do not start the engine in doors or with little or no ventilation.
- release the throttle temporarily after the engine has started.

CAUTION:

- Do not press on the starting button after the engine has started.
- Do not press the starting button while the engine is running, so as to avoid damaging the engine.
- Do not press starting button for more than 5 seconds at a time.
- If the engine fails to start after pressing the start button for 3-4 times or more than 10 seconds by pedal starting, please check the vehicle.
- In cold starting state, the choke lever can't open too long after the engine is preheated, otherwise the plug will deposit carbon and this will increase the oil consumption.

6.2 Riding

After the engine runs 30-40 seconds at idle speed and the riders is ready to ride:

WARNING

- While engine is cold, do not throttle up quickly.
- When riding, the rider should always pay his/her attention to putting his/her feet on the footrest. Otherwise may cause the feet to touch the wheels or reduce the rider's ability to control the vehicle, and could lead to an accident.

Step:

1. apply the brake.
2. push down shift from neutral to drive position
3. throttle up gradually and the vehicle will begin to accelerate.

6.3 Turning

To turn the vehicle, the rider should shift body weight forward and support weight on the outer foot. Lean upper body into the turn and turn the steering wheel in the direction of the turn.

WARNING

● **The rider should first practice the turning technique in a wide open area until he/she has mastered it, before moving to more advanced terrain.**

6.4 Braking

Release the throttle and hold the brake pedal, apply force gradually, the vehicle will decrease gradually until it has stopped.

WARNING

● **Avoid braking during turns. Whenever possible, use the brake to slow down before entering turns. If the vehicle has to be braked while turning, the brake pedal should be used gently, otherwise could cause the vehicle to slide or tip over easily.**

CAUTION

- Avoid braking quickly.
- Use brakes in advance when riding in wet or slippery conditions.

6.5 Stopping

To stop the vehicle while riding, he/she should first release the throttle. Hold the brake lever to decelerate, then put the engine cutoff switch to “off” position. Shift into neutral.

WARNING

- After shutting off engine, do not touch the engine and exhaust pipe so as to avoid being burned.

6.6 Parking brake

When parking the vehicle on a slope, the parking brake should be used. Hold the front brake pedal and pull the Parking Brake lever upwards to activate the parking brake. To release, press the button on the Parking Brake lever and move it to the down position.

7. Instruction for the young rider

To ensure your child rides this vehicle safely and familiarly, you must take certain time to instruct him/her. The instruction includes the instruction before your child begins to ride and instruction and supervision during ride. Before you guide your child, you should first read this manual, and practice some basic function personally, and instruct the main points, especially the “warning” parts in this manual.

Following is a step by step guide to help your child have a safe and enjoyable Go kart experience.

Step 1: proper clothing and protective gear

Clothing and protective gear are necessary for child to ride safely. The requirement for clothing is not wearing any loose fitting clothes so as to avoid causing danger. In addition, your child should wear long pants and a long sleeved shirt, these protect against abrasive injuries and loss of body heat. The protective gear such as helmet, eye protection and gloves is necessary for the child to wear.

Step2: familiarity with the vehicle

Your child should become completely familiar with the name and function of all controls. Let the young rider sit on the vehicle with the engine off. Demonstrate operation of the controls to the child. Ask him/her to do such things as start the engine, turn off the engine, lock the parking brake, etc. Practice this exercise until the child can operate all of the controls hesitantly and without looking at the controls.

Step3: Starting up the stopping

You can let the child sit on the vehicle. You push the vehicle from behind, this will allow your child to get feel of riding a moving vehicle, and become familiar with its operation. Then according to the introduction on the above chapter of the manual, let the child practice the exercise of starting and parking.

Step 4: turning

Explain the skill of turning to the child on an open and wide ground, let your child practice first with the engine off, as you push the vehicle from behind. After your child is familiar with it, she/he can practice under power.

Step 5: Putting all together

When your child has mastered above steps, you can let your child practice putting them all together until he/she is familiar with them.

The above steps will help you guide your child master the most basic technique. Your child will need a great deal of practice after these steps have been completed. During this period guiding your child, you must be patient and careful, then you can realize the aim of the guide.

8. Inspection and Maintenance

It is very important to inspect and maintain your Go kart regularly. If you have proper tools and are qualified, you can perform the maintenance yourself according to the instructions in this section. If you are not sure whether you can complete it, please consult your sales dealer.

WARNING

Keep the child far away when you perform inspection and maintenance to avoid injury.

8.1 Periodic maintenance chart for the emission control system

No.	ITEM	CHECK OR MAINTENANCE JOB	Whichever comes first	INITIAL			EVERY		
				month	1	3	6	6	12
				Km (mi)	320 (200)	1300 (800)	2500 (1600)	2500 (1600)	5000 (3200)
				hours	20	80	160	160	320
1	*	Fuel line	• Check fuel hoses for cracks or other damage. and replace if necessary			✓	✓	✓	
2	*	Spark plug	• Check condition and clean the gap, or replace if necessary	✓	✓	✓	✓	✓	
3	*	Valves	• Check valve clearance and adjust if necessary	✓		✓	✓	✓	
4	*	Carburetor	• Check choke operation and correct if necessary check engine idling speed and adjust if necessary		✓	✓	✓	✓	
5	*	Crankcase breather system	• Check breather hose for cracks or other damage. and replace if necessary			✓	✓	✓	
6	*	Exhaust system	• Check for leakage and replace gasket(s)if necessary •Check for looseness and tighten all screw clamps and joints if necessary			✓	✓	✓	
7	*	Spark arrester	• Clean			✓	✓	✓	

WARNING

Let your sales dealer maintain the item with**

If you are not qualified, it is better not to perform maintenance yourself, or you may damage your vehicle.

The engine stop switch usually on the “off” position unless the engine be running to perform the required maintenance.

Keep Go kart far away form children when you do maintenance to avoid injury.

8.2 General maintenance and lubrication chart

No.	ITEM	CHECK OR MAINTENAN CE JOB	Whichever comes first	INITIAL		EVERY			
				month	1	3	6	6	12
				Km (mi)	320 (20200)	1300 (800)	2500 (1600)	2500 (1600)	5000 (3200)
				hours	20	80	160	160	320
1	*	Timing chain	<ul style="list-style-type: none"> • Check chain tension • Adjust if necessary 	✓		✓	✓	✓	
2	*	An filter element	<ul style="list-style-type: none"> • Clean and replace if necessary 	Every 20-40 hours(more often in wet or dusty areas)					
3	*	Clutch	<ul style="list-style-type: none"> • Check operation and adjust if necessary 	✓		✓	✓	✓	
4	*	Front brake	<ul style="list-style-type: none"> • Check operation and correct if necessary • Check brake lever free play and adjust if necessary 	✓	✓	✓	✓	✓	
			<ul style="list-style-type: none"> • Replace brake shoes 	Whenever worn to the limit					

No.	ITEM	CHECK OR MAINTENANCE JOB	Whichever comes first		INITIAL			EVERY	
				month	1	3	6	6	12
				Km (mi)	320 (200)	1300 (800)	2500 (1600)	2500 (1600)	5000 (3200)
				hours	20	80	160	160	320
5	*	Rear brake	<ul style="list-style-type: none"> • Check operation and correct if necessary • Check brake lever and pedal free play, and adjust if necessary • Replace brake shoes 	√	√	√	√	√	
6	*	Wheels	<ul style="list-style-type: none"> • Check runout and for damage, and replace if necessary 	√		√	√	√	
7	*	Tires	<ul style="list-style-type: none"> • Check tread depth and for damage, and replace if necessary. • Check air pressure and balance and correct if necessary 	√		√	√	√	
8	*	Wheel hub bearings	<ul style="list-style-type: none"> • Check for looseness or damage, and replace if necessary 	√	√	√	√	√	
9	*	Chassis fasteners	<ul style="list-style-type: none"> • Make sure that all nuts, bolts, and screw are properly tightened 	√	√	√	√	√	
10	*	Shock absorber assemblies	<ul style="list-style-type: none"> • Check operation and correct if necessary • Check for oil leakage and replace if necessary 			√	√	√	
11	*	Front knuckle pivots	<ul style="list-style-type: none"> • Lubricate with lithium-soap-based grease 			√	√	√	
12	*	Steering shaft	<ul style="list-style-type: none"> • Lubricate with lithium-soap-based grease 			√	√	√	
13	*	Steering system	<ul style="list-style-type: none"> • Check operation and repair or replace if damaged. • Check toe-in and adjust if necessary 	√	√	√	√	√	

No.	ITEM	CHECK OR MAINTENANCE JOB	Whichever comes first	INITIAL			EVERY		
				month	1	3	6	6	12
				Km (mi)	320 (200)	1300 (800)	2500 (1600)	2500 (1600)	5000 (3200)
				hours	20	80	160	160	320
14	*	Engine oil	<ul style="list-style-type: none"> • Change. • Check ATV for oil leakage, and correct if necessary. 	√		√	√	√	
15	*	Final gear oil	<ul style="list-style-type: none"> • Change check ATV for oil leakage, and correct if necessary. 	√				√	
16	*	Moving parts and cables	<ul style="list-style-type: none"> • Lubricate 		√	√	√	√	
17	*	Throttle lever housing and cable	<ul style="list-style-type: none"> • Check operation and correct if necessary . • check throttle cable free play and have a sales dealer adjust if necessary . • lubricate throttle lever housing and cable. 	√	√	√	√	√	
18	*	Front and rear brake switches	<ul style="list-style-type: none"> • Check operation and correct if necessary. 	√	√	√	√	√	
19	*	Battery	<ul style="list-style-type: none"> • Check electrolyte level and specific gravity, and correct if necessary. • make sure that the breather hose is properly routed. 	√	√	√	√	√	

NOTE:

The air filter needs more frequent service if you are riding in unusually wet or dusty areas.

8.3.1 Toolkit

You are provided a tool kit for the convenience of inspection and maintenance as well as testing tire pressure. Included are some general tools, such as spanner, box wrench and tire pressure gauge.

8.3.2 Tire

Mainly check the surface of tire and air pressure gauge.

- Inspect if there are cuts in surface of tire and nails or stones bedded in the tire tread.
- Check whether the depth of the tire tread is enough, please replace the tires when the depth of the tire tread is less than 0.16 inch(4.0mm)
- Air pressure in tire should be about 0.25kg/cm(3.6psi).Never under-inflate or over-inflate

WARNING

- **Operating the vehicle with excessively worn tires can cause skidding due to reduced traction.**
- **Improper air pressure can affect handling characteristics, under-inflation could cause slip or skid off the tire bead, over-inflation can cause the tire to burst or tire serious damage.**
- **Be sure to use equal air pressure in left and right tires, Unequal air pressure may be adversely effect riders CONTROL. Please replace the tire if they are extremely worn out, It is very important to replace the tires, we recommend that you let the dealer completes this work leaks due to a puncture should also be repair by dealer.**

8.3.3Braking system

- Inspect for brake travel. The brake level travel should be between 5mm and 8mm,to adjust the Brake level travel, please use following procedure.
- Loose the adjusting nut and adjust the brake level travel.

- After adjustment. Hold the brake level and check whether the brake level travel is between 5mm and 8mm
- Periodically inspect the thickness of the brake pads. When its warness more than 1mm.it should be replaced.
- Often inspect the liquid level of brake fluid in the oil cup. When the brake fluid level is below the mark line, drain out the remaining brake fluid, and fill new DOT3 brake fluid.
- Always keep the brake disc and the brake pads clean.

8.3.4. Lubricating driven chain

Lubricating the driven chain frequently as necessary, please use the following procedures.

- Remove the chain by taking off the chain joint clip.
- Wash the chain in the solvent and lubricate it with chain lube.
- Remount it after lubrication

WARNING

- **Must be carefully during use of solvent, keep children away from solvent.**
- **When reinstalling the driven chain, be sure to position the chain joint clip so the slit end faces opposite the turning direction of the driven chain as illustrated. The driven chain will come off if you installed it improperly.**

8.3.5 Gear box lubricating oil

Using good-quality SAE 10w/40 motor oil.

Add oil according to the following steps.

- Remove the rubber plug in the gearbox and add 400-450ml oil.
- Tighten the plug after adding and check if it is leaking.

WARNING

Keep children away from oil..

WARNING

- **After the new vehicle breaks in 20 hours, change the oil in gearbox. Clean the box with kerosene and the add new oil.**
- **Check the oil level frequently and add it quickly if is not enough.**
- **Oil under-level or over-lever can affect engine performance, and cause trouble.**

8.3.6 Inspection of battery.

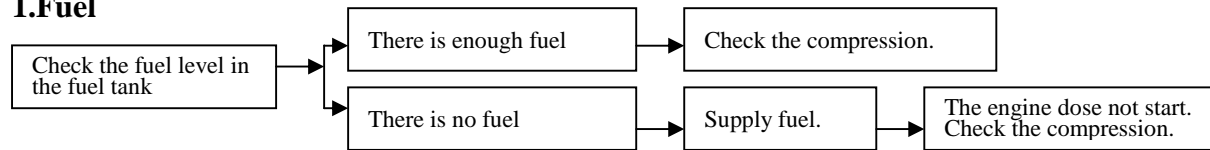
If you find the vehicle is hard to start during operation, please remove the battery and charge battery according to the manual.

CAUTION:

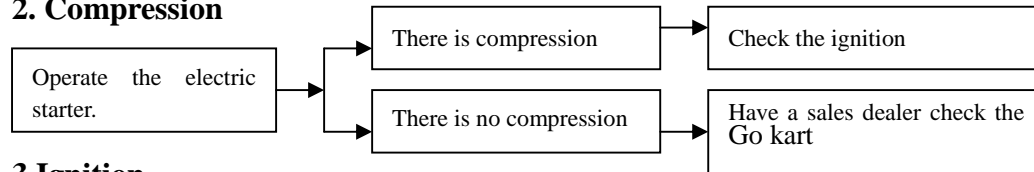
Never open top cap strip and seal plugs when charging.

9. Troubleshooting chart

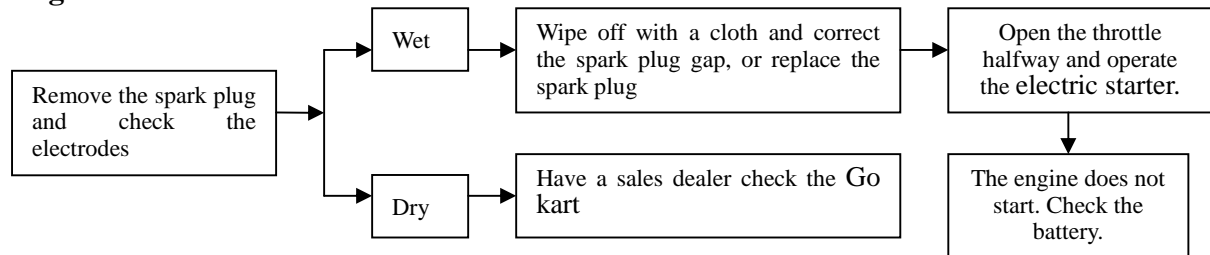
1. Fuel



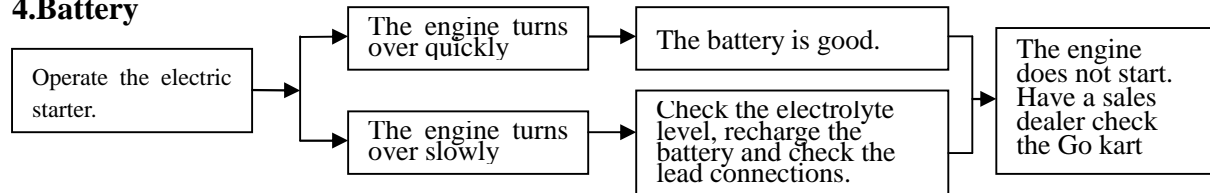
2. Compression



3. Ignition



4. Battery



10.Cleaning and storage

10.1 Cleaning

Frequent, thorough cleaning of your Go kart will not only enhance its appearance but will improve its general performance and extend the useful life of many components.

1. Before cleaning the Go kart
 - a. Block off the end of the exhaust pipe to prevent water entry. A plastic bag and strong rubber band may be used.
 - b. Make sure the spark plug and all filler caps are properly installed.
2. If the engine case is excessively greasy, apply degreaser with a paint brush. Do not apply degreaser to the wheel axles.
3. Rinse the dirt and degreaser off with a garden hose. Use only enough pressure to do the job.
4. Once most of the dirt has been hosed off, wash all surfaces with warm water and mild, detergent-type soap. An old toothbrush or bottle brush is handy for hard-to-reach places.
5. Rinse the Go kart off immediately with clean water and dry all surfaces with a chamois, clean towel or soft absorbing cloth.
6. Clean the seat with a vinyl upholstery cleaner to keep the cover pliable and glossy.
7. Automotive type wax may be applied to all painted and chrome plated surfaces. Avoid combination cleaner-waxes. Many contain abrasives which may mar the paint or protective finish. When finished cleaning. Start the engine and let it idle for several minutes.

10.2 Storage

10.2.1 Short-term

Always store your GO KART in a cool, dry place and, if necessary, protect it against dust with a porous cover.

10.2.2 Long-term

Before storing your GO KART for several months:

- a. Follow all instructions in the “cleaning” section of this chapter.
- b. Turn the fuel petcock lever to “OFF”
- c. Drain the carburetor float chamber by loosening the drain bolt; this will prevent fuel deposits from building up. Pour the drained fuel into the fuel tank.
- d. Fill up the fuel tank and add fuel stabilizer(if available)to prevent the fuel from deteriorating.
- e. Perform the following steps to protect the cylinder, piston rings, etc, from corrosion.
 1. remove the spark plug cap and spark plug
 2. pour a teaspoonful of engine oil into the spark plug bore.
 3. install the spark plug cap onto the spark plug, and then place the spark plug on the cylinder head so that the electrodes are grounded.(this will limit sparking during the next step)
 4. turn the engine over several times with the starter(this will coat the cylinder wall with oil)
 5. Remove the spark plug cap from the spark plug, and then install the spark plug and the spark plug cap.
- f. Lubricate all control cables and the pivoting points of all levers and pedals.
- g. Check and, if necessary, correct the tire air pressure, and then block up the GO KART so that all of its wheels are off the ground. Alternatively, turn the wheels a litter every month in order to prevent the tires from becoming degraded in one spot.
- h. Cover the muffler outlet with a plastic bag to prevent moisture from entering it.
- i. Remove the battery and fully charge it. store it in a cool, dry place and charge it once a month. do not store the battery in an excessively cold or worm place(less than 0F or more than 30F)

Note:

Make any necessary repairs before storing the GO KART.

11.Specification

Engine: Air cooled,4-stroke,single cylinder Battery: 12V/4AH/150cc-12V9AH
 Start type: Electric start Catalytic converter: 1Catalytic converter; single configuration
 Max Power:110cc-4.5kw/7500r/min 125cc-5.6kw/7000r/min 150cc-7.0kw/7500r/min
 Exhaust emission control system: Three-way converter (TWC)
 Ignition: CDI
 Front Brake: disc brake
 Rear brake : disc brake

12.Maintenance record

Copies of work orders and/or receipts for parts you purchase and install will be required to document maintenance done in accordance with the warranty. The chart below is printed only as a reminder to you that the maintenance work is required. it is not acceptable proof of maintenance work.

MAINTENANCE INTERVAL			DATE OF SERVICE	MILEAGE	SERVICING DEALER NAME AND ADDRESS	REMARKS
month	Km(mi)	hours				
1	320(200)	20				
3	1300(800)	80				
6	2500(1600)	160				
12	5000(3200)	320				
18	7500(4800)	480				
24	10000(6400)	640				
30	12500(8000)	800				
36	15000(9600)	960				
42	17500(11200)	1120				
48	20000(12800)	1280				
54	22500(14400)	1440				
60	25000(16000)	1600				

EMISSION CONTROL SYSTEM WARRANTY

YOUR WARRANTY RIGHTS AND OBLIGATIONS

The emission control system warranty period for this vehicle begins on the date the vehicle is delivered to the first purchaser other than an authorized dealer, or the date it is first used as a demonstrator, lease, or company vehicle, whichever comes first and continues for 30 months after that date, or 5000km, whichever comes first, provided there has been no abuse, neglect or improper maintenance of your vehicle. Where a warrantable condition exists, the Distributor will repair your vehicle at no cost to you. Including diagnosis, parts and labor, if an emission-related part on your vehicle is defective, the part will be repaired or replaced by the distributor. This is your emission control defects warranty.

OWNER'S WARRANTY RESPONSIBILITIES

As the vehicle owner, you are responsible for the performance of the required maintenance. You should maintain a record of all maintenance performed on your vehicle and retain all receipts covering maintenance on your vehicle. You may not be denied a warranty claim solely because of your failure to ensure the performance of all scheduled maintenance or lack of maintenance records or receipts. You are responsible for presenting your vehicle to an authorized dealer as soon as a problem exists. The warranty repairs should be completed in a reasonable amount of time, not to exceed 30days.as the vehicle owner, you should be aware that you may be denied your warranty coverage if your vehicle or a part has failed due to abuse, neglect, improper maintenance, or unapproved modifications.

WARRANTY COVERAGE

The distributor warrants that each new 2009 and later vehicle.

- is designed, built, and equipped so as to conform at the time of initial retail purchase with all applicable regulations of the United States Environmental Protection Agency, and the California Air Resources Board; and
- is free from defects in material and workmanship which cause such vehicle to fail to conform with applicable regulations of the United States Environmental Protection Agency or the California Air Resources Board for the periods specified above. Your emission control system warranty covers components whose failure would increase an engine's emission, including electronic controls, fuel injection system, carburetor, the ignition system, catalytic converter, or any other system utilized in this vehicle to control emission if it is original equipped. Also included may be hoses, connectors and other emission-related assemblies. Replacing or repairing other components (including part, labor, and other cost) not covered by this emission control system warranty or the standard warranty is the responsibility of the owner.

Coverage of repairs under this warranty applies only when repairs are completed at an authorized dealer or repair facility, except in an emergency situation. The use of replacement parts not equivalent to the original parts may impair the effectiveness of your vehicle's emission control system. If such a replacement part is used and an authorized dealer determines it is defective or causes a failure of a warranted part, your claim for repair to bring your vehicle into compliance with applicable standards may be denied.

If an emergency situation exists when a warranted part or a dealer is not reasonably available to the owner, repairs may be performed at any available service establishment, or by the owner, using any replacement part. The distributor shall reimburse the owner for the expenses, including diagnostic charges, not to exceed the distributor's suggested retail price for all warranted parts replaced and labor charges based on the distributor's recommended time allowance for the warranty repair and the geographically appropriate hourly labor rate. The owner may reasonably be required to keep receipts and failed parts in order to receive compensation.

This Emission Control System Warranty is in addition to the standard Limited Warranty.

EXCLUSIONS AND LIMITATIONS

This warranty does not cover the following:

- Failures or malfunctions of the emission control systems caused by abuse, alteration, accident, misuse, the use of leaded gasoline.
- Replacement of expendable maintenance items unless they are original equipment defective in material or workmanship under normal use, and the first required replacement interval for the item has not been reached. Expendable maintenance items include but not limited to spark plugs, filters, coolant, lubricants, gaskets, hoses, and belts.
- Replacements of parts and other services and adjustments for required maintenance,
- Any vehicle equipped with an odometer or hour meter where the reading is altered so that actual mileage cannot be readily determined.
- Repairs or replacements as a result of:
 - Accident
 - Misuse
 - Use of replacement parts or accessories not conforming to the original specifications which adversely affect performance.

- Physical damage, corrosion, or defects caused by fire, explosions or similar causes beyond the control of the Distributor.
- Failures not caused by a defect in material or workmanship.

Use of the vehicle in any type of competitive racing or related events immediately and completely voids this and all other warranties.

LIMITED LIABILITY

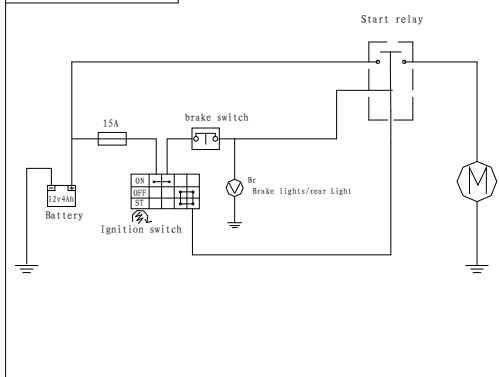
The liability of the Distributor under this Emission Control System Warranty is limited solely to the remedying of defects in material workmanship by an authorized dealer at its place of business during customary business hours. This warranty does not cover inconvenience or loss of use of the vehicle or transportation of the vehicle to/from the authorized dealer. The distributor is not liable to any person for incidental, consequential or special damages of any description, whether arising out of express or implied warranty or any other contract, negligence or other tort or otherwise.

No express emission control system warranty is given by the Distributor except as specifically set forth hereon. Any emission control system warranty implied by law, including any warranty of merchantability or fitness for a particular purpose is limited to express emission control system warranty terms stated in this warranty, the foregoing statements of warranty are exclusive and in lieu of all other remedies. All express warranties not stated in this warranty are disclaimed. Some states do not allow limitations on how long an implied warranty lasts, so the above limitations may not apply if it is inconsistent with the controlling state law.

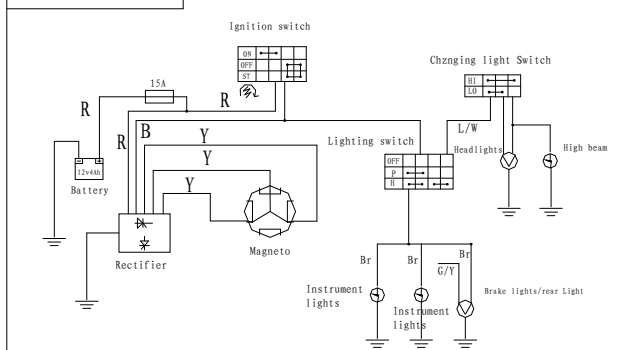
SPECIFICATIONS (175CC)

Type	4 Stroke	Passengers Allowed	Two
Displacement	168.9CC	Suspension	Hydraulic
Cylinders	1	Front Brake	Disc
Cooling System	Forced air	Rear Brake	Disc
Clutch Type	Automatic,Centrifugal	Fuel Tank Capacity	10Liters
Power Stipulated	7.6kw/7000 rpm	Engine OilTank Capacity	0.9Liters
Max. Torque	11N.m/6000 rpm	Engine Lubricating Oil	4 Stroke Oil 10W40
Starting System	Electric	Gear Oil Type	85W90
Starter Style	CDI		

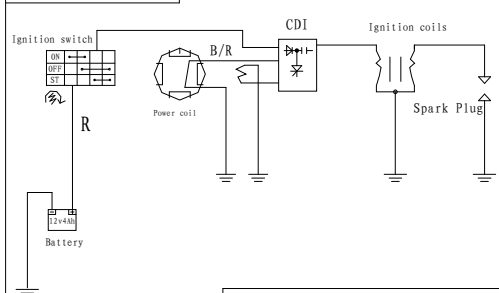
Start-up System



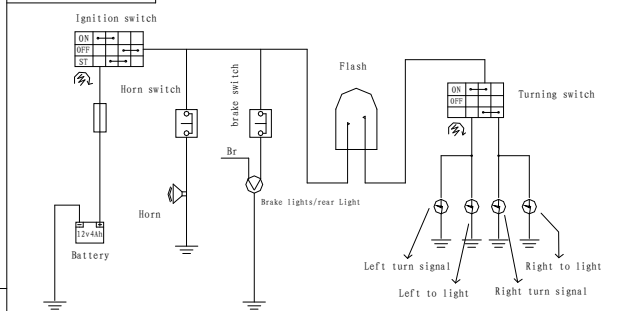
Charging System
Lighting system



Ignition system



Signal System



电器原理图 (分解)

宁波通力机车有限公司