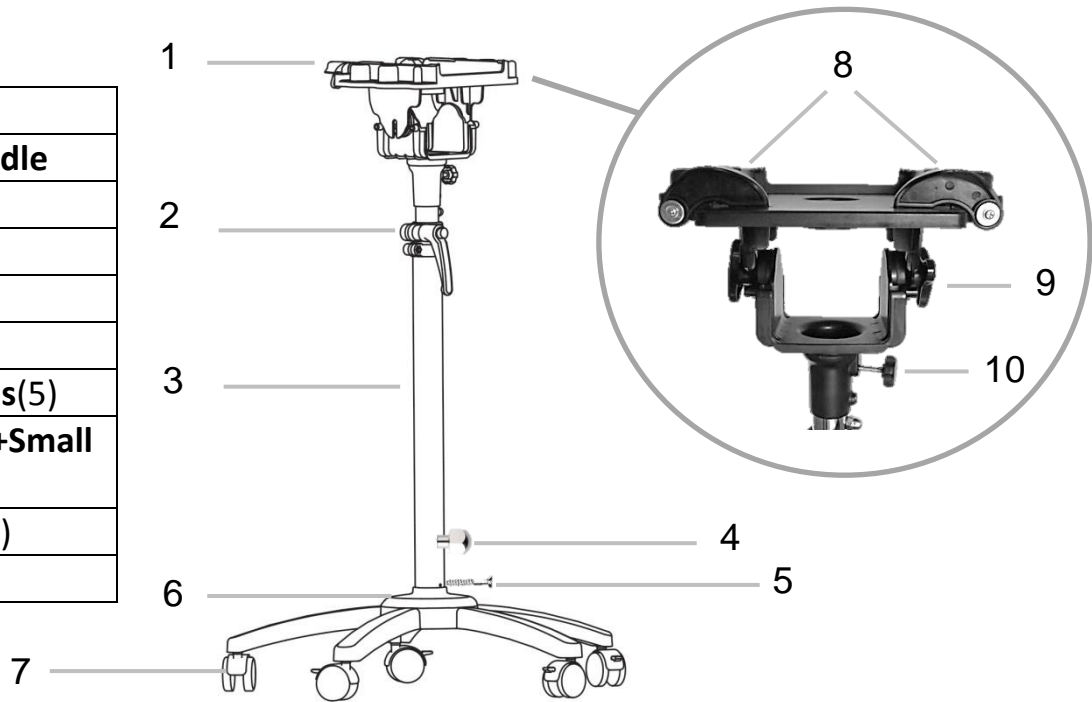


PARTS LIST

1. Dryer Tray/Caddy
2. Stand Adjustment Handle
3. Stand Pole
4. Spring Assist Bolt
5. Phillips Base Screw
6. Base
7. Lockable Caster Wheels(5)
8. Big Dryer Latches(2) +Small Dryer Latches (2)
9.Adjustable Tilt Knobs(2)
10. Tray Connector Knob



ASSEMBLY

Base

1. Unfold 5-legged base.
2. Snap the five wheels to bottom of base.
3. Using a Phillips Screwdriver, remove base screw (Part #5) and set aside(Fig 1.A). **DO NOT ADJUST SPRING ASSIST BOLT (Part#4).**
4. Attach bottom of stand pole onto base, turning clockwise until tightly secure (Fig. 1)
5. Align stand pole so that screw hole for Phillips base screw fits in between grooves (Fig. 2)
6. Tighten Philips base screw (Part #4).

Tray

1. Insert tray (Part#1) on top of stand pole
2. Tighten tray connector knob (Fig. 1.B)
3. **Small** Dryer latches arrive assembled to hold XPOWER SINGLE MOTOR dryers(B-4/B-24). To accommodate a larger DOUBLE MOTOR dryers(B-8/B-25/B-27), unscrew the assembled dryer latches using a Phillips screwdriver and attach the two additional **big** latches that are included in the box. (Fig. 3). Knobs on either side of stand (Part #9) can be adjusted up or down for multiple tilted angles.
4. Knobs on either side of stand (Part #9) can be adjusted up or down for multiple tilted angles.

