

Air Circulator Owner's Manual

Model:
FC-100, FC-200, FC-300, FC-420

(115V 60HZ)

Read and save these instructions before use



Intertek

www.xpower.com | 1-(855)-855-8868 | info@xpower.com

Index: NA-1-A9
Edition: 2.0.Alpha

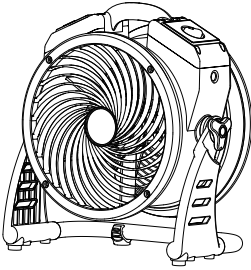
Safety Instructions

WARNING - READ AND SAVE THIS INSTRUCTIONS BEFORE USING THIS PRODUCT.

The user of electrical products may create hazards that include, but are not limited to injury, fire, electrical shock. Failure to follow these instructions may damage and/or impair its operation and void the warranty.

- Before operating, remove all packaging material and check for any damage that may have occurred during shipping or any missing items.
- Check household power supply to ensure it matches the appliance's specification.
- **DO NOT** operate any fan with a damaged cord or plug. Discard fan or return it to an authorized service facility for examination and/or repair.
- Use only on GFCI protected receptacles. Please contact a qualified electrician for verification and / or installation of a GFCI receptacle if necessary.
- **DO NOT** run cord under carpeting. **DO NOT** cover cord with throw rugs, runners, or similar coverings. **DO NOT** route cord under furniture or appliances. Arrange cord away from traffic area and where it will not be tripped over.
- To reduce the risk of fire or electric shock, **DO NOT** use this fan with any solid-state speed control device.
- **DO NOT** touch this appliance or the plug with wet hands or while standing in water.
- **DO NOT** operate the appliance in any pooled water.
- **DO NOT** use the product in areas where gasoline, paint or other flammable goods and objects are used or stored.
- **DO NOT** insert or allow objects to enter any ventilation or exhaust opening as this may damage the appliance and void the warranty.
- **DO NOT** cover the air inlet or outlet on the appliance.
- **DO NOT** direct the air flow at human faces or bodies.
- **DO NOT** allow children to play with this appliance.
- **AUTOMATICALLY OPERATED DEVICE** – To reduce the risk of injury, disconnect from power supply before servicing.
- Remove the power cord from the electrical receptacle by grasping and pulling on the power cord plug-end only, **DO NOT** pull the cord directly.
- **DO NOT** attempt to repair or adjust any electrical or mechanical functions of this appliance, as this may cause danger and void the warranty.
- If the appliance is damaged or it malfunctions, **DO NOT** continue to use it. Unplug the product from the electrical outlet. Refer to troubleshooting guide or contact XPOWER.
- Store in a dry area, away from exposure to sunlight, extreme temperature and humidity, or other extreme environments, when not in use.
- For model FC-100 / FC-200, **DO NOT** stack more than six units of this appliance. For model FC-300 / FC-420, **DO NOT** stack more than five units of this appliance.
- An electronic instruction manual can be obtained through manufacturer's website www.xpower.com.

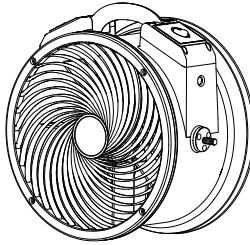
Items Included



• Air Circulator x 1*



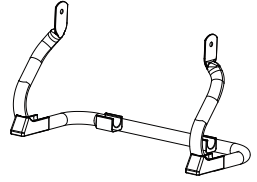
• Rubber Washer
x 2**



• Air Circulator
Body x 1**



• Rack Handle x 2**



• Rack x 1**



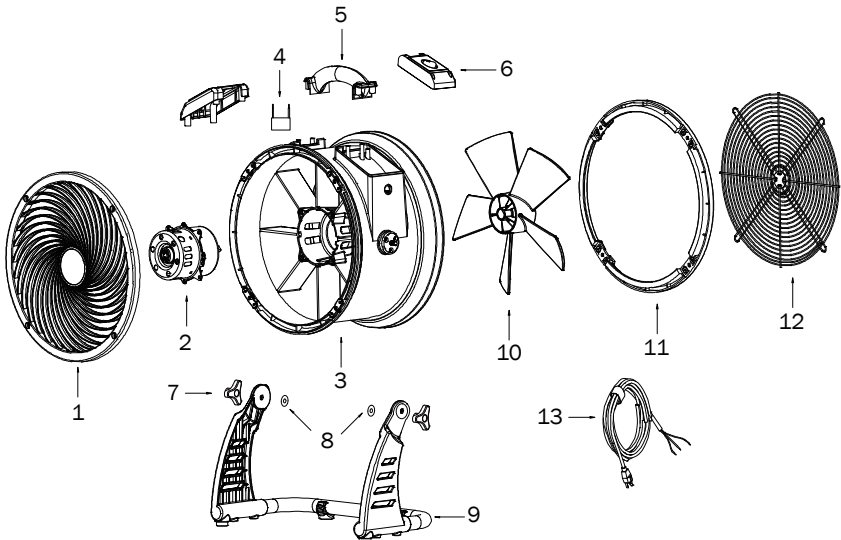
• Owner's Manual x 1

* For model FC-100/FC-200/FC-420 only.

The exact appearance of the products might be slightly different from the diagram.

** For model FC-300 only.

Parts Description



Parts Description (Continued)

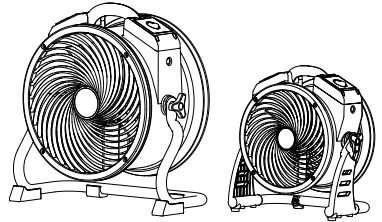
- | | | |
|------------------------|---|------------------------|
| (1) Front Grille Cover | (6) Switch Plate*/ Switch and Timer Plate** | (10) Fan |
| (2) Motor | (7) Rack Handle | (11) Rear End Cover |
| (3) Housing | (8) Rubber Washer | (12) Rear Grille Cover |
| (4) Capacitor | (9) Rack | (13) Power Cord |
| (5) Housing Handle | | |

* For model FC-100 / FC-200 / FC-300 only.

** For model FC-420 only.

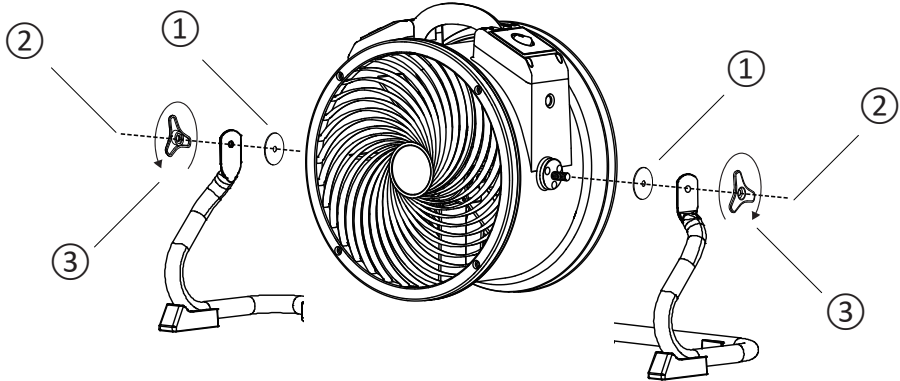
Air Circulator Introduction

- XPOWER Air Circulators are designed to offer efficient air circulation and ventilation with its high and long-distance focused airflow.
- It's perfect for air circulation and ventilation in janitorial/sanitation jobs, air condition control and more.



Installation and Operation Guide

Installing the Rack*

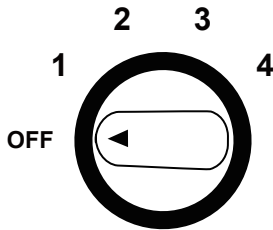


- ① Fit both rubber washers onto bolts on both sides of unit.
- ② Align the rack onto the air circulator.
- ③ Fasten the connection with the rack handle.

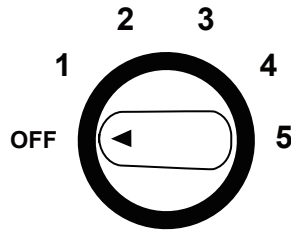
* For model FC-300 only.

Installation and Operation Guide (Continued)

Switch Plate



Four Speed Control



Five Speed Control

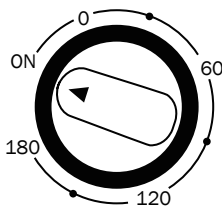
Four Speed Switch (For model FC-100/FC-200/FC-300 only)

- Turn to “**OFF**” position to switch the Air Circulator OFF. Turn to any speed position to switch the Air Circulator ON.
- Turn clockwise to set the desired speed. There are 4 speeds from: **4, 3, 2, 1**. “**4**” is the highest speed and “**1**” is the lowest speed .

Five Speed Switch (For model FC-420 only)

- Turn to “**OFF**” position to switch the Air Circulator OFF. Turn to any speed position to switch the Air Circulator ON.
- Turn clockwise to set the desired speed. There are 5 speeds from: **5, 4, 3, 2, 1**. “**5**” is the highest speed and “**1**” is the lowest speed .

Timer Switch

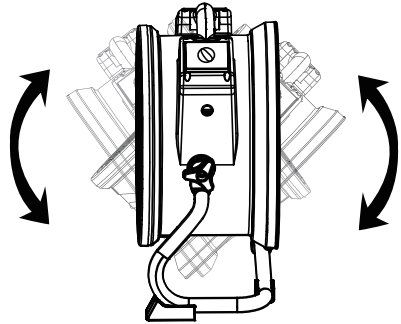
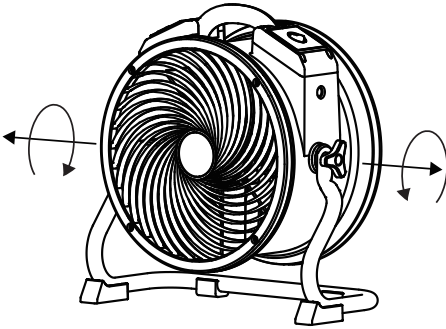


Timer Switch

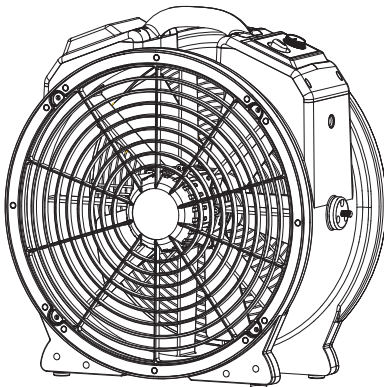
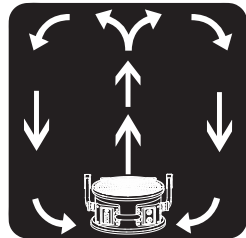
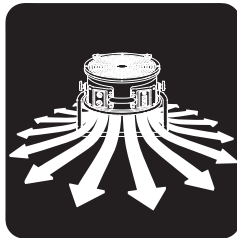
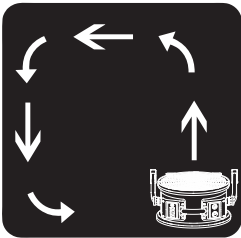
- Turn clockwise to set timer for minutes count down to an automatic stop.
- The timer can be set for up to 180 minutes (3 hours).
- When the timer reaches “**0**” position, the unit stops working. On “**ON**” position, it will work constantly.

Installation and Operation Guide (Continued)

Adjust Operation Position



- The Air Circulator features 360° Rotation. Tilt Air Circulator to desired angle and screw on rack handles to secure the position.



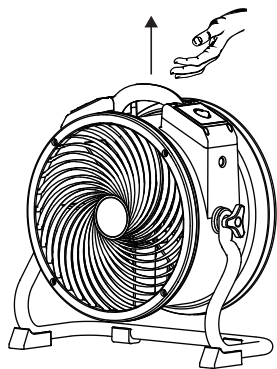
Use without Rack*

- Uninstall the rack and place the Air Circulator on a level surface.

* For model FC-420 only.

Installation and Operation Guide (Continued)

Transportation



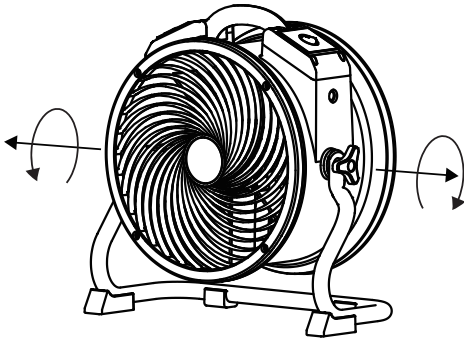
Lift with Handle

- Lift the Air Circulator with the handle on the top.

User Maintenance Instructions

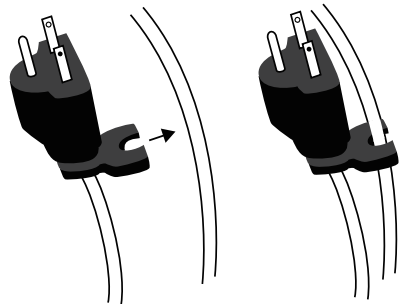
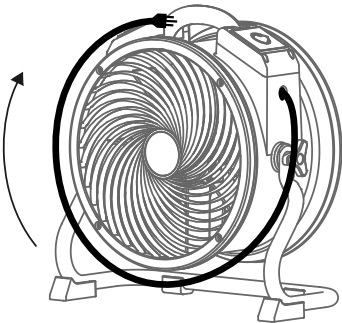
Frequent maintenance is recommended on this appliance. Failure to follow the maintenance instructions may cause failure of the appliance and void the warranty.

- When not in use, unplug and store the appliance in a dry and cool indoor place. Make sure it's out of reach of children.
- Before performing any maintenance or cleaning, always disconnect the Air Circulator from its power source.
- Use a damp cloth to wipe the surface of the housing. Do not clean the unit with water directly.
- Check if the grille covers are clean. Remove dirt or any other objects that could block the air inlet and air outlet.



Fasten the Rack Handles

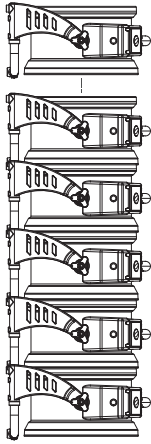
- To prevent possible injury, when you finish using this appliance, please position the Air Circulator **UPRIGHT**.
- Fasten the rack handle to lock the position of the Air Circulator.



Organize the Power Cord

- Wrap the power cord around the housing.
- Clip the cord to the cord clip on the plug shown above.

User Maintenance Instructions (Continued)



Stack Multiple Units

- Stack the Air Circulators on the sides. Align the air inlets of both Air Circulators.

⚠ WARNING

- For model FC-100 / FC-200, **DO NOT** stack more than six units of this appliance.
- For model FC-300 / FC-420, **DO NOT** stack more than five units of this appliance.
- Stacking function is not secure during transportation.

Troubleshooting Guide

PROBLEM	POSSIBLE CAUSE	SOLUTION
Air Circulator does not start	No electricity.	Check for power supply.
	The power cord is not properly plugged in.	Remove and reconnect the power cord.
	The timer switch is set to "0" position.	Set the timer switch to "ON" position.
Unit runs but the speed is abnormal	Air inlet or air outlet is blocked.	Remove blockage.

If troubleshooting does not resolve your problem, please contact XPOWER or other parties authorized by XPOWER for further instructions.

Technical Specification

MODEL NUMBER	FC-100	FC-200	FC-300	FC-420
Voltage/ Frequency	115 V~60 Hz			
Amperage	0.6 A	1.0 A	1.5 A	2.8 A
Motor Power	-	-	1/4 HP	1/3 HP
Rated Airflow	1100 CFM	1300 CFM	2100 CFM	3600 CFM
Speed Control	4 Speeds			5 Speeds
Timer	Yes			
Cord Length	6 ft. / 1.8 m		10 ft. / 3.0 m	15 ft. / 4.5 m
Housing	PP			ABS
Unit Dimension (L) x (W) x (H)	16.1 x 8.9 x 14.2 in. / 41.0 x 22.5 x 36.0 cm	17.3 x 8.9 x 15.4 in. / 44.0 x 22.5 x 39.0 cm	18.6 x 9.4 x 19.2 in. / 47.2 x 23.9 x 48.8 cm	21.9 x 9.8 x 22.5 in. / 55.6 x 24.9 x 57.1 cm
Unit Weight	9.7 lbs. / 4.4 kg	10.1 lbs. / 4.6 kg	13.0 lbs. / 5.9 kg	23.4 lbs. / 10.6 kg
Safety Certification	ETL / C-ETL			

If your product(s) is not listed above, please visit www.xpower.com for more information.

XPOWER Limited Warranty (USA)

1 YEAR LIMITED WARRANTY

XPOWER-branded products purchased in the U.S. from authorized distributors include a 1-year limited warranty. Contact XPOWER to confirm warranty information about your product(s).

This limited warranty covers defects in materials and workmanship in your XPOWER-branded products, purchased in the **U.S. ONLY**. Local warranty policy (if any) in your country will cover products purchased outside the U.S.

IMPORTANT:

- (1) Please finish the online warranty registration before usage. Visit www.xpower.com/service-support/warranty-registration.
- (2) This Limited Warranty applies with its own timeliness. Contact XPOWER or visit www.xpower.com for more information.

Items mentioned but not limited to below are not covered by warranty:

- (1) Power cord, filters or any other components considered as a “consumable parts” by XPOWER.
- (2) Normal wear and tear.
- (3) Problems that result, directly or indirectly, at XPOWER’s sole discretion, from:
 - (3.1) External causes such as accident, abuse, misuse or problems with electrical power supply.
 - (3.2) Disassembling, servicing or modification not authorized by XPOWER.
 - (3.3) Usage that is not accordant with product instructions stated in Owner’s Manual.
 - (3.4) Failure to follow the product instructions or lack of necessary maintenance stated in Owner’s Manual.

Before contacting XPOWER, please try one or more of the following:

- (1) Consult this Owner’s Manual and follow the instructions of troubleshooting guide.
- (2) Access www.xpower.com for more advice and information that could be helpful to address your problems.

If you need additional assistance from XPOWER, please:

- (1) Email info@xpower.com.
- (2) Call XPOWER U.S. Customer Service Department at **855-855-8868** or other numbers provided on www.xpower.com.
- (3) Visit XPOWER U.S. Head Office at [240 Clary Ave., San Gabriel, CA 91776](http://www.xpower.com) or the most current address provided on www.xpower.com.

Please also have your original proof of purchase and the serial number(s) of your product(s) ready when you contact XPOWER.

XPOWER Limited Warranty (USA)

If you are instructed to return the unit for service or replacement, please:

- (1) Request a RMA (Return-Merchandise-Authorization) number.
- (2) Use the original or an equivalent packaging, prepay shipping charges at your own expense to the address provided by XPOWER, with the RMA number on the shipping label or the packaging.
- (3) Include all the original parts and components.

XPOWER will inspect, assess and advise the repairs needed and applicable cost, if any. For products under warranty, we will pay to ship the repaired or replaced product(s) to you if you use an address within the Contiguous United States. Otherwise, we will ship the product(s) to you at your own expense.



XPOWER Manufacture, INC.

240 Clary Avenue

San Gabriel, CA 91776 USA

www.xpower.com | 1-(855)-855-8868 | info@xpower.com

Read and save these instructions before use

Index: NA-1-A9
Edition: 2.0.Alpha