

Assembly Instruction

Holds up to 25 lbs.



Lidded Boxes
 HH111 - 6" H x 10" W x 11" D (pictured)
 HH113 - 8" H x 12" W x 15" D
 HH115 - 10" H x 16" W x 19" D



Lidded Boxes
 HH511 - 6" H x 10" W x 11" D
 HH513 - 8" H x 12" W x 15" D
 HH515 - 10" H x 16" W x 19" D (pictured)



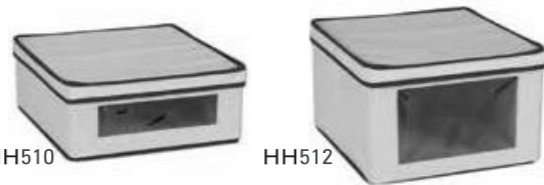
HH514



Window Vision® Lidded Box Sets
 HH510-3
 Small - 5.5" H x 12.25" W x 13.25" D
 Large - 8" H x 24.25" W x 13.25" D



4 pk. Front Close Vision® Shoe Box
 HH5200-4 | Small 5" H x 8" W x 13" D (pictured)
 HH5220-4 | Large 6" H x 10" W x 16" D



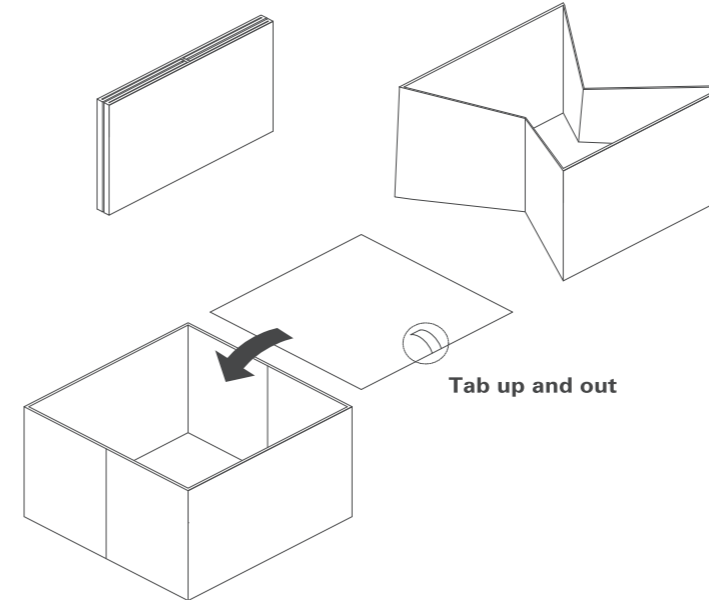
HH510

HH512

Window Vision® Lidded Boxes
 HH510 - 5.5" H x 12.25" W x 13.25" D
 HH512 - 8.5" H x 12.25" W x 13.25" D
 HH514 - 8" H x 24.25" W x 13.25" D

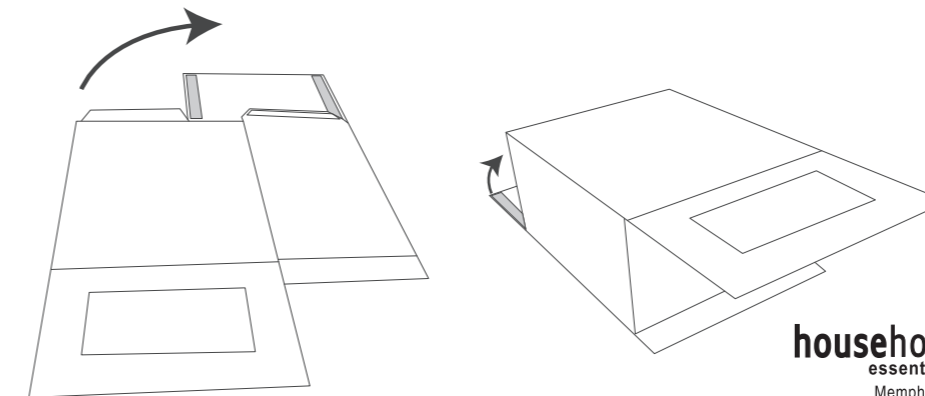
Creating a box or bin

1. Unfold box and insert base. Top with lid if included.



Tab up and out

2. Lift box into position and fold back panel up.



- HH111
- HH113
- HH115
- HH510-3
- HH511
- HH513
- HH515
- HH5200-4
- HH5220-4
- HH510
- HH512
- HH514