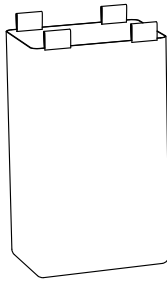


## HH7044|HE1110|HE1111

**Ax2**  
End Frame



**Bx3**  
Bag



**Cx6**  
Bag Hanger



**Dx4**  
Side Rods



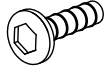
**Fx4**  
Support Tube



**Ex2**  
Short Rod



**Gx12**  
Hex Head Bolts



**Hx1**  
Allen Wrench



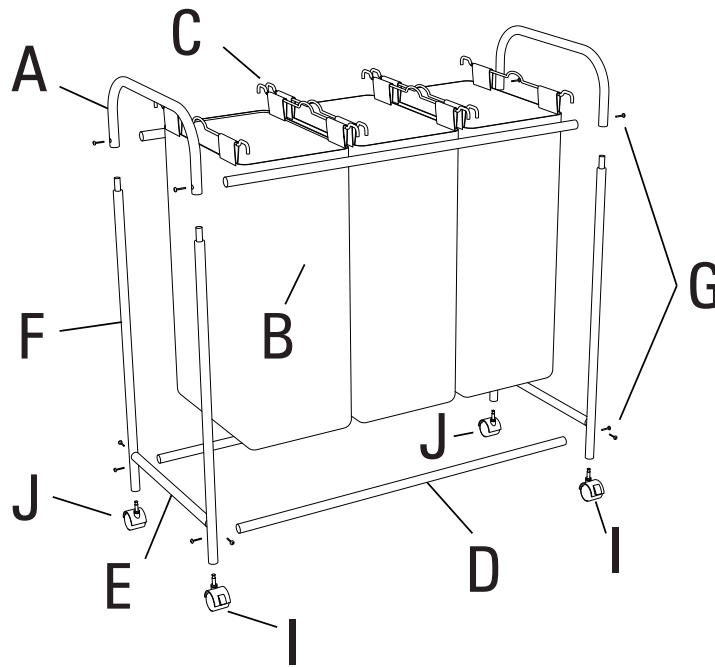
**Ix2**  
Locking Caster



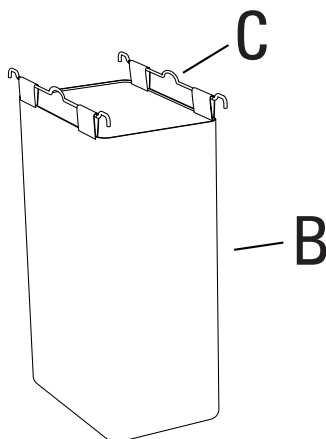
**Jx2**  
Caster



- 1** Attach (4) Side Rods (D) to both End Frames (A) with (8) Hex Head Bolts (G) using Allen Wrench (H). Attach (1) locking caster (I) and (1) non-locking caster (J) into each end frame assembly (A).



- 2** Insert Laundry Bag Handles (C) through the sewn loops at the top of Laundry Bag (B).



- 3** Hang "Handle Hook" over the top Side Rods (D) of the assembled unit as shown.

