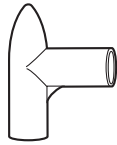


Identify parts before assembling.

Ax8
Connector



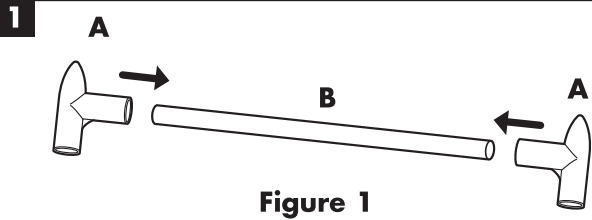
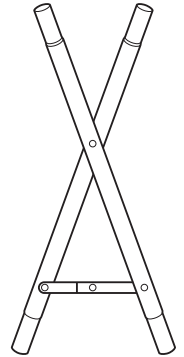
Bx4
Crossbrace



Cx8
Long Tube with Hole



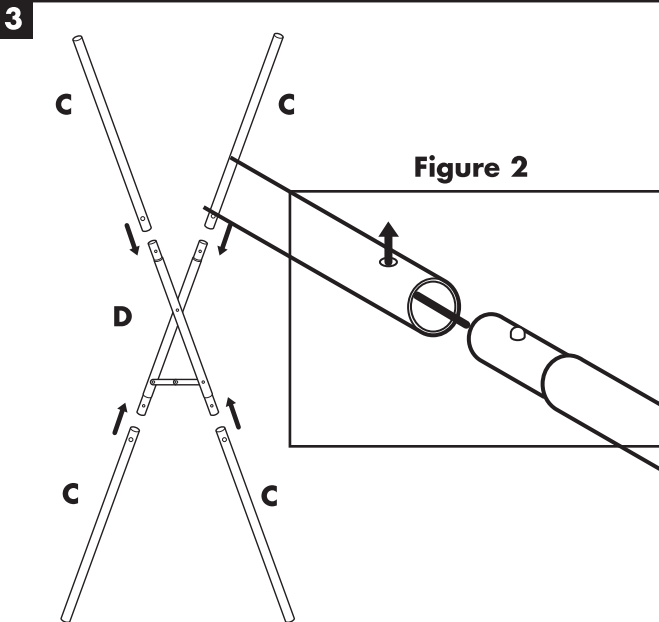
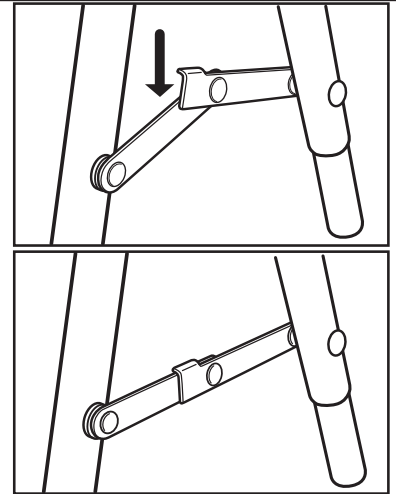
Dx2
"X" Frame Assembly w/buttons



Install 2 end caps (A) onto each end of Crossbrace (B). Repeat step with all 4 Crossbraces(B). (Figure 1)

2

Fully open "X" Frames and lock into position.



Install 4 Long Tubes with Holes (C) into each tube opening of the "X" Frame Assembly until button snaps through holes (D). Repeat this assembly step with the other "X" Frame Assembly. (Figure 2)

