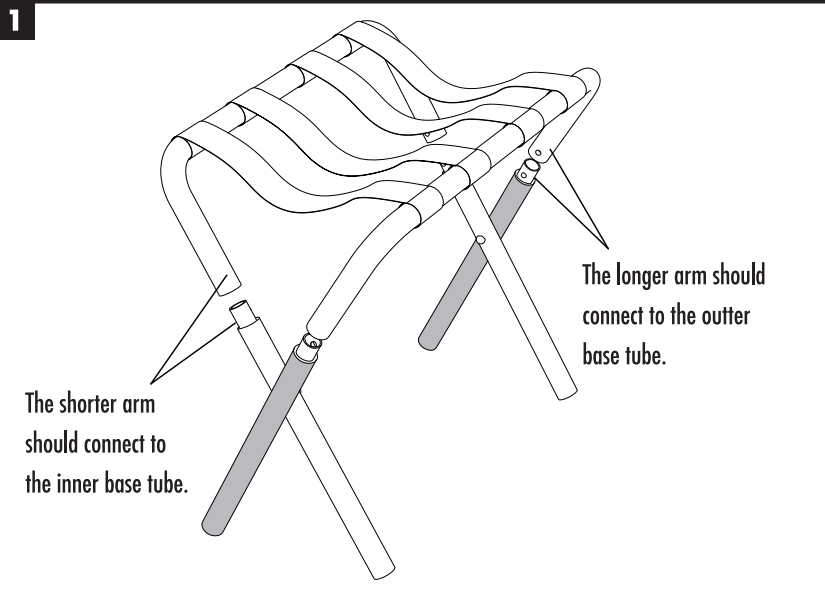
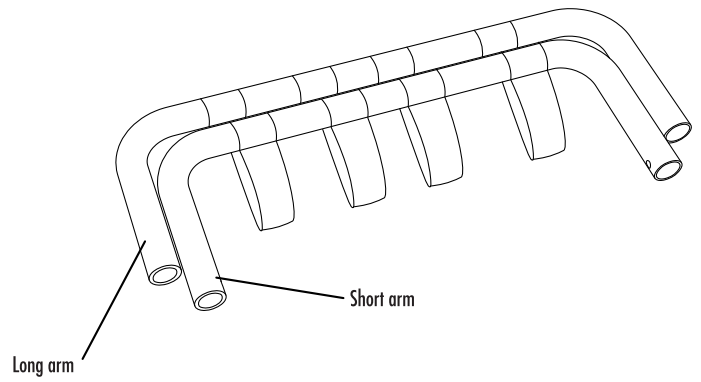
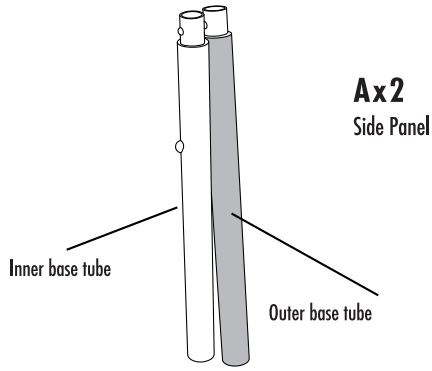


Identify parts before assembling.

HH2126-1|HE1108



Open leg support to form an "X".

Place top on leg supports, connect using snap locks.

