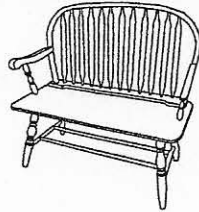




# CAROLINA CHAIR & TABLE COMPANY

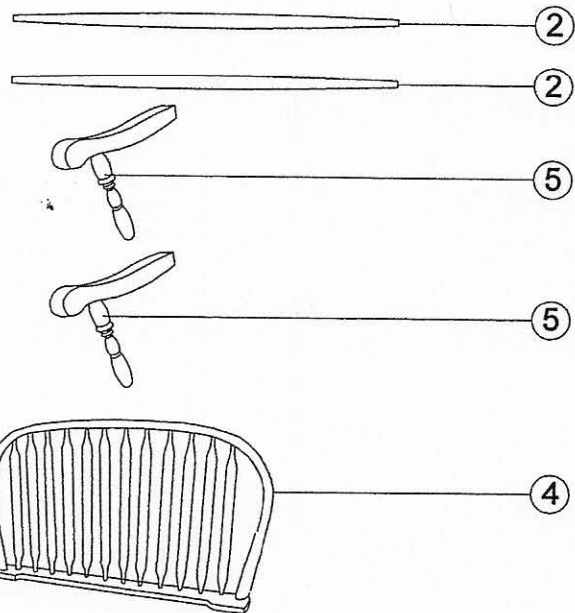
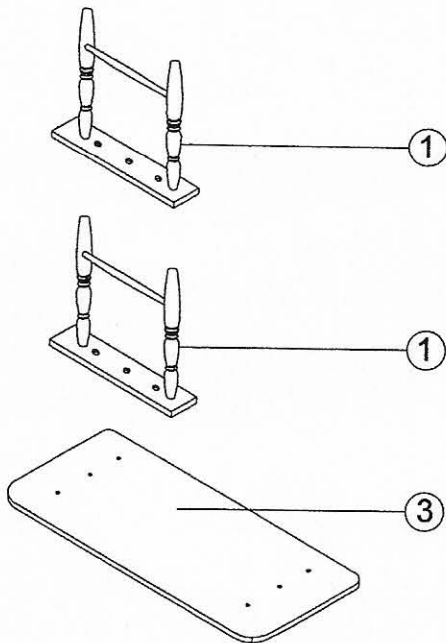
Assembly Instructions  
Item # 42 - 36  
WINDSOR ARM BENCH



Thank you for purchasing a Carolina & Table Company product. This product has been designed for easy assembly and is constructed for durability. please take the time to read and follow the assembly instructions carefully. if a part or hardware is missing or you have any difficulties in assembling this product, please contact us toll free at 1-800-228-3876

NO	PART LIST	QTY
1	Leg Frame - Left	1 PC
	- Right ( F/R )	1 PC
2	Stretcher	2 PCS
3	Wooden Seat	1 PC
4	Chair Back Frame	1 PC
5	Assembly Arm Rest - Left	1 PC
	- Right	1 PC

NO		HARDWARE LIST	QTY
A		Flat Washer - Dia 12mm	18 PCS
B		Spring Washer - Dia 12mm	18 PCS
C		Short JCBC Bolt M6 x 35mm	10 PCS
D		Long JCBC Bolt M6 x 60mm	4 PCS
E		Long JCBC Bolt M6 x 60mm	4 PCS
F		Barrel Nut	8 PCS
G		Big Wood Bottom - Dia 14.5mm	6 PCS
H		Allen Key M4	1 PCS
I		Small Wood Bottom - Dia 11.5mm	2 PCS

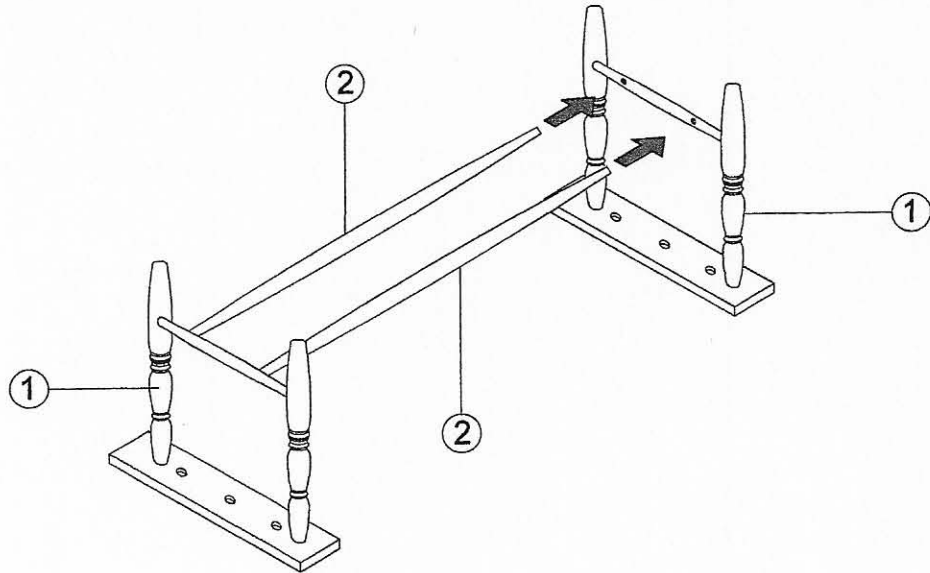


### IMPORTANT NOTE :

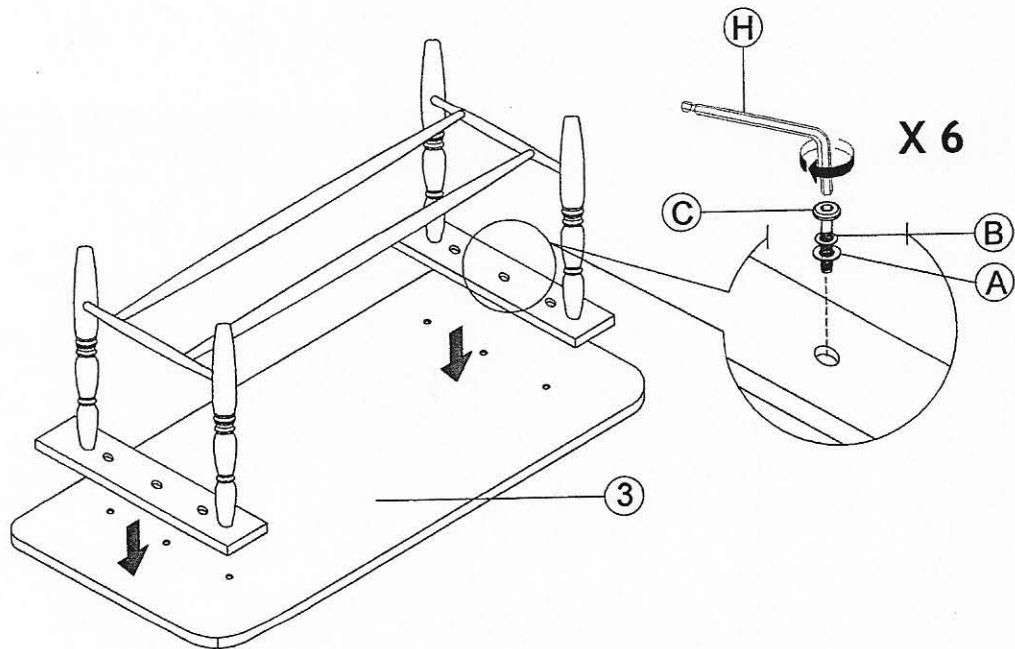
- Place all wooden part on a clean and smooth surface such as a rug or carpet to avoid the parts from being scratched.
- Check to be sure that you have all part and hardware. Remove all wrapping materials, including staples & packing straps before you start to assemble. Do not tighten all screws/ balts until all completely assembled
- Keep all hardware part out of reach of children.
- DO NOT TIGHTEN BOLTS/SCREWS UNTIL ALL COMPLETELY ASSEMBLED.

Assembly Instructions  
Item # 42 - 36  
WINDSOR ARM BENCH

1

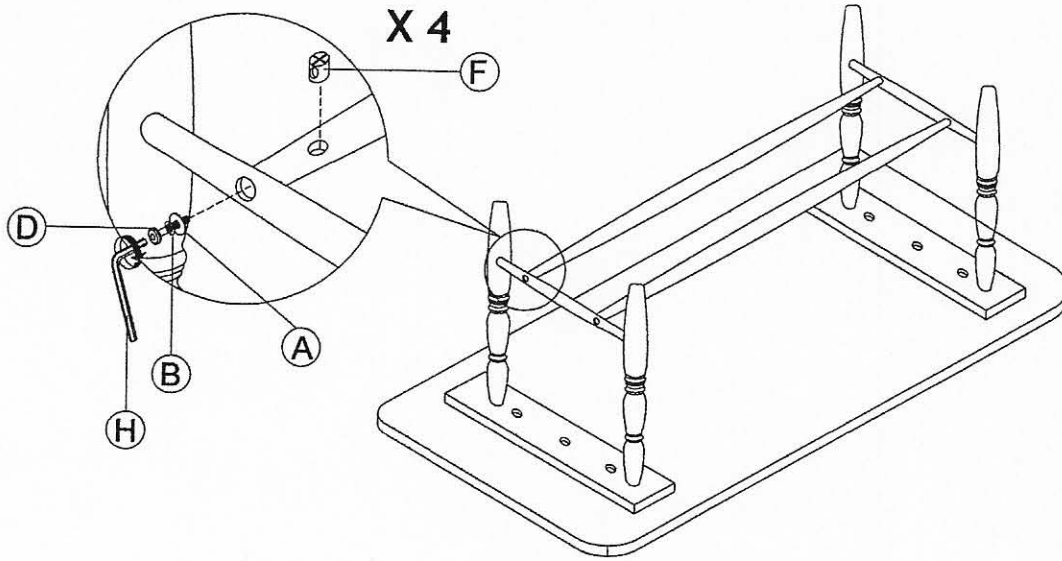


2

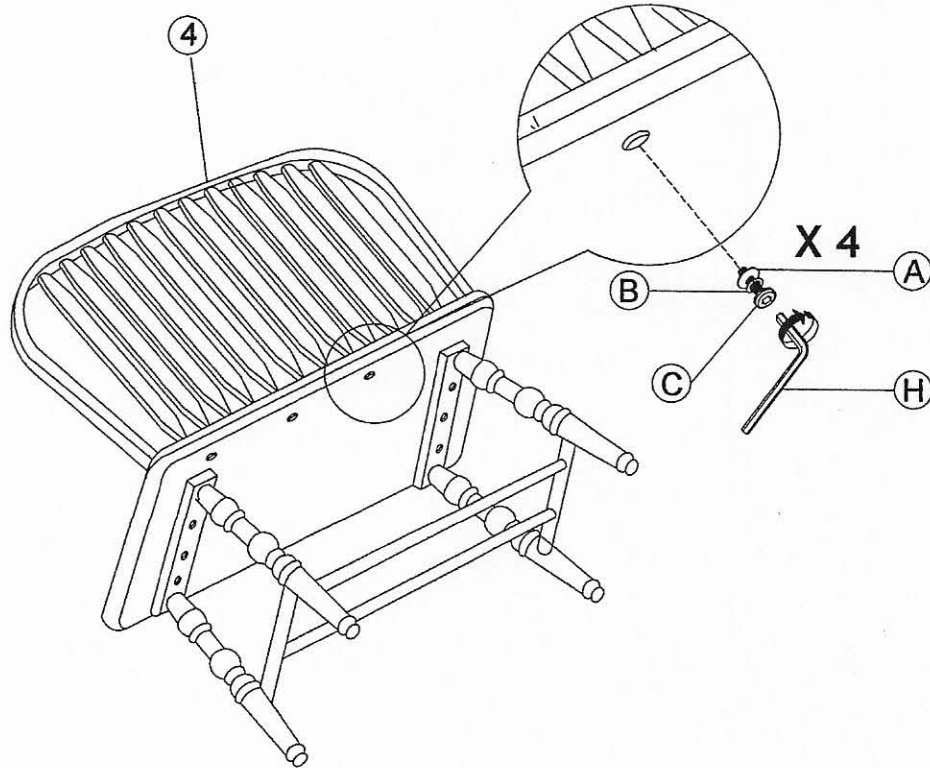


Assembly Instructions  
Item # 42 - 36  
WINDSOR ARM BENCH

3

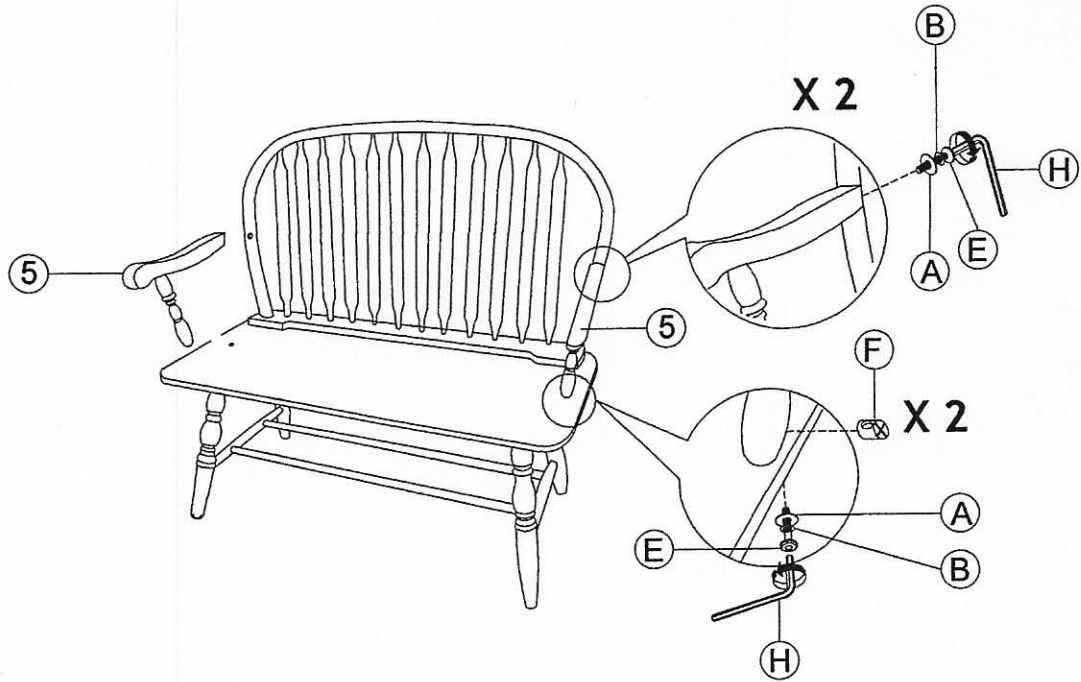


4

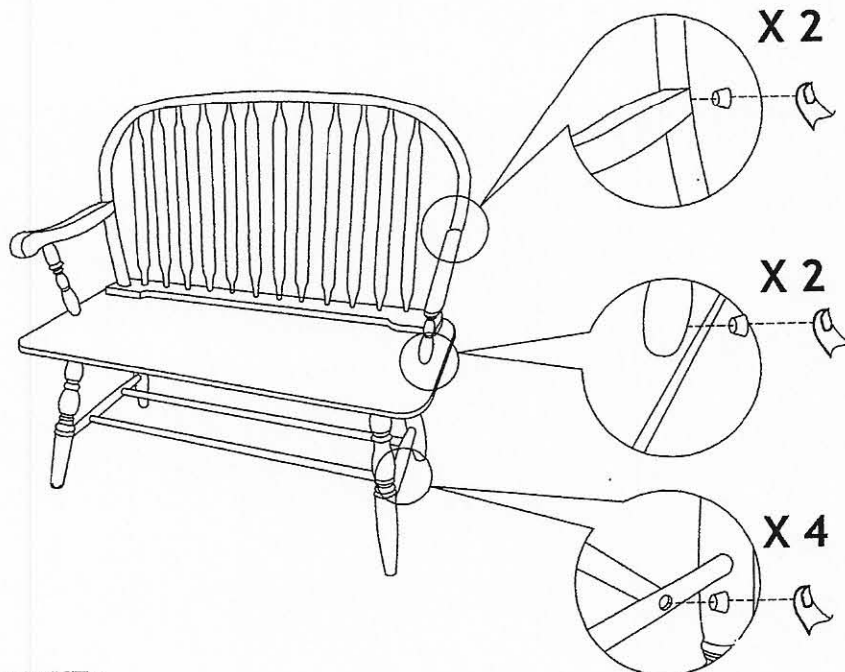


Assembly Instructions  
Item # 42 - 36  
WINDSOR ARM BENCH

5



6



**CARE AND MAINTENANCE :**

The touch of a soft cloth is all the maintenance your wood pieces will ever need. Never use harsh chemicals or abrasive cleaners, as they could mark or destroy finish.

MADE IN MALAYSIA

## **CARE INSTRUCTIONS**

**Thank you for your purchase. Our items are intended for residential use only.**

**To clean and maintain your furniture we recommend dry dust with a soft clean cloth.**

**Do not use harsh chemicals to clean your furniture as this could damage the protective top coat and/or finish.**