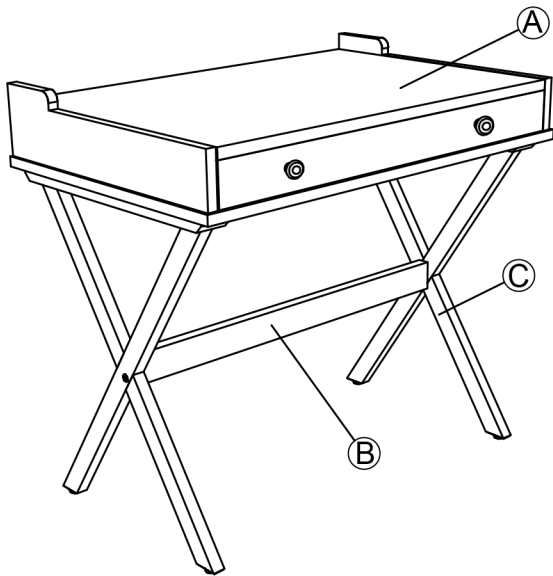





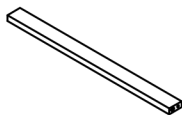

# CAROLINA CHAIR & TABLE COMPANY

Thank you for purchasing a Carolina Chair & Table Company product. This product has been designed for easy assembly and is constructed for durability. Please take this time to read and follow the assembly instruction carefully. If a part or hardware is missing or you have any difficulties in assembling this product, please contact us Toll-Free at 1-800-228-3876.







## ASSEMBLY INSTRUCTION RTA ESSEX DESK 3422

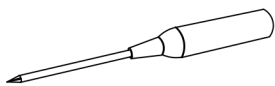


## PARTS CHECK LIST

CODE	COMPONENTS	Q'TY
(A)	BOX TOP 	x01
(B)	BOTTOM RAIL 	x01
(C)	LEG 	x02

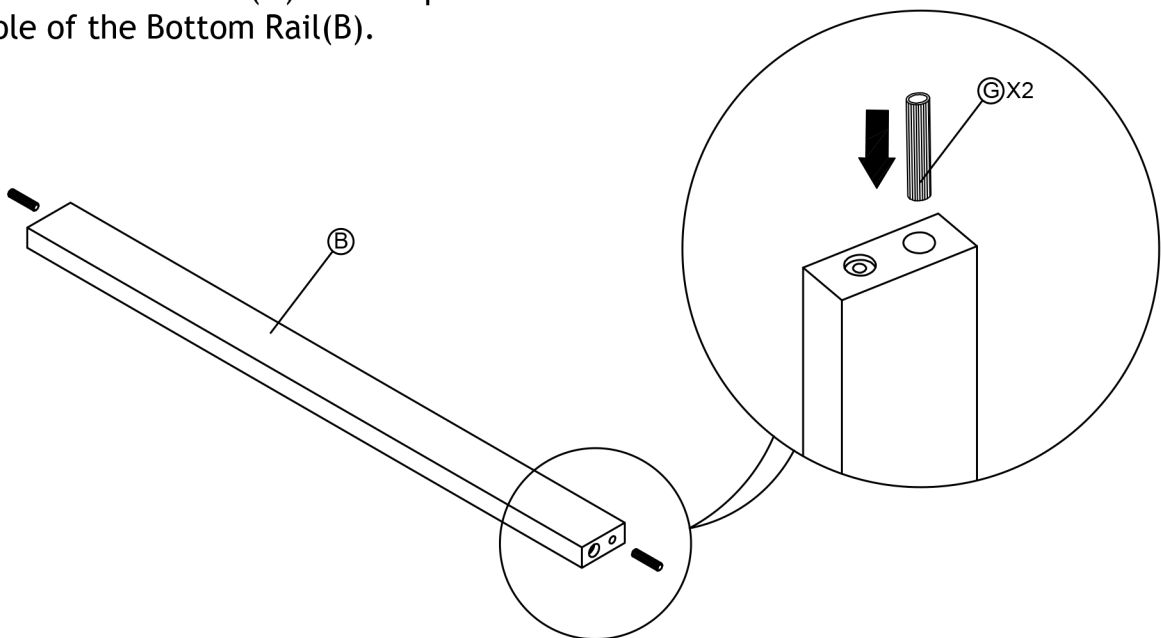
## FITTINGS CHECK LIST

CODE	DESCRIPTION	Q'TY
(D)	 JCBC M6 X 60MM(BLK)	x02
(E)	 FLAT WASHER Ø1/4 x 13mm (BLK)	x04
(F)	 JCBC M6 X 35MM(BLK)	x04
(G)	 WOOD DOWEL M8 X 35MM	x02
(H)	 ALLEN KEY M4 X 100MM	x01
(I)	 SPRING WASHER M6	x06



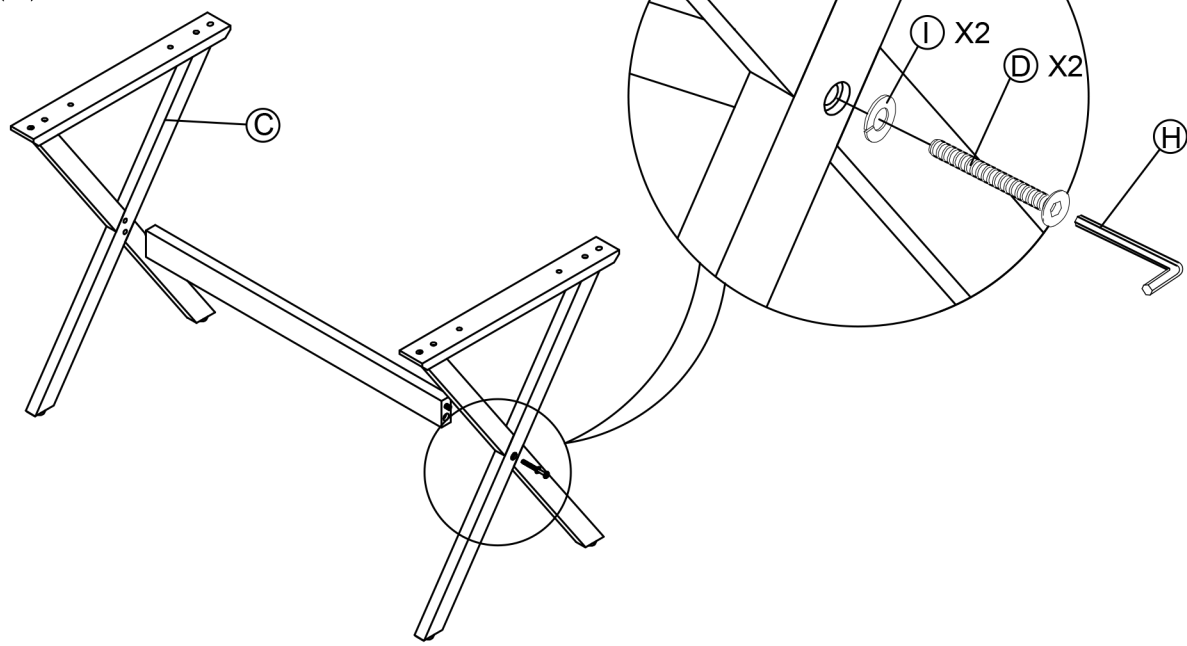
PHILLIPS HEAD SCREWDRIVER  
TOOL NEEDED (NOT INCLUDED)

1. Insert Wood dowel(G) into the predilled hole of the Bottom Rail(B).



2.

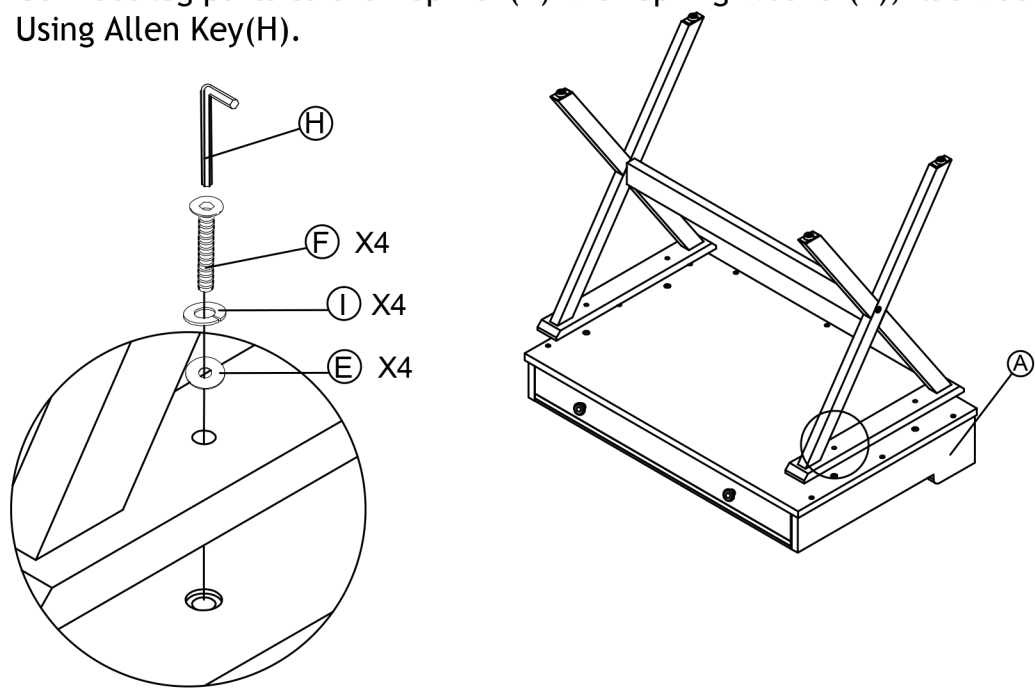
Connect the Bottom rail to Legs(C) with Spring washer(I) and JCBC(D) using Allen Key(H).



**•DO NOT TIGHTEN ALL BOLTS/SCREWS UNTIL ALL COMPLETELY ASSEMBLED**

3.

Connect leg parts to the Top Box(A) with Spring Washer(E), Flat Washer(I) and JCBC(F) Using Allen Key(H).



**• TIGHTEN 100% ALL BOLTS/SCREWS AND TURN IT UPRIGHT.**

