

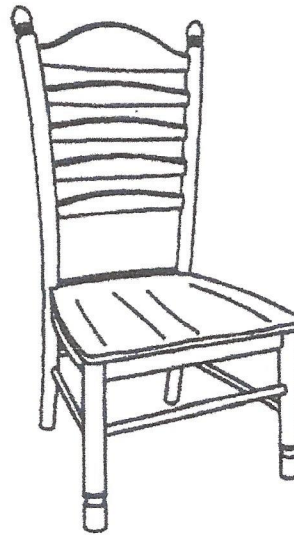


CAROLINA CHAIR & TABLE COMPANY

Thank you for purchasing a Carolina Chair & Table Company product. This Product has been designed for easy assembly and is constructed for durability. Please take this time to read and follow the assembly instructions carefully. If a part or hardware is missing or you have any difficulties in assembling this product, please contact us Toll-Free at 1-800-228-3876.

ASSEMBLY INSTRUCTION

ITEM# 271

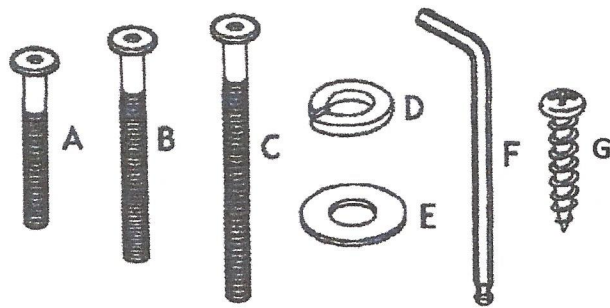
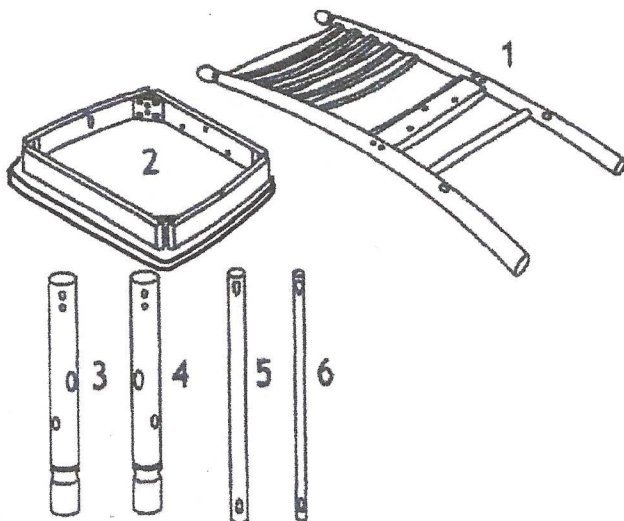


PARTS LIST

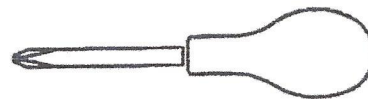
1 CHAIR BACK FRAME	1 PC
2 SEAT	1 PC
3 FRONT LEG (RIGHT)	1 PC
4 FRONT LEG (LEFT)	1 PC
5 FRONT STRETCHER	1 PC
6 SIDE STRETCHER	2 PCS

HARDWARE LIST

A JCBC SCREW M6 x 40MM	3 PCS
B JCBC SCREW M6 x 60MM	4 PCS
C JCBC SCREW M6 x 70MM	4 PCS
D SPRING WASHER 1/4"	11 PCS
E FLAT WASHER 1/4" x 19MM	11 PCS
F M4 ALLEN KEY (BALL SHAPE) LONG	1 PCS
G PAN HEAD SCREW M4 x 38MM	6 PCS



TOOLS REQUIRED (NOT INCLUDED) :

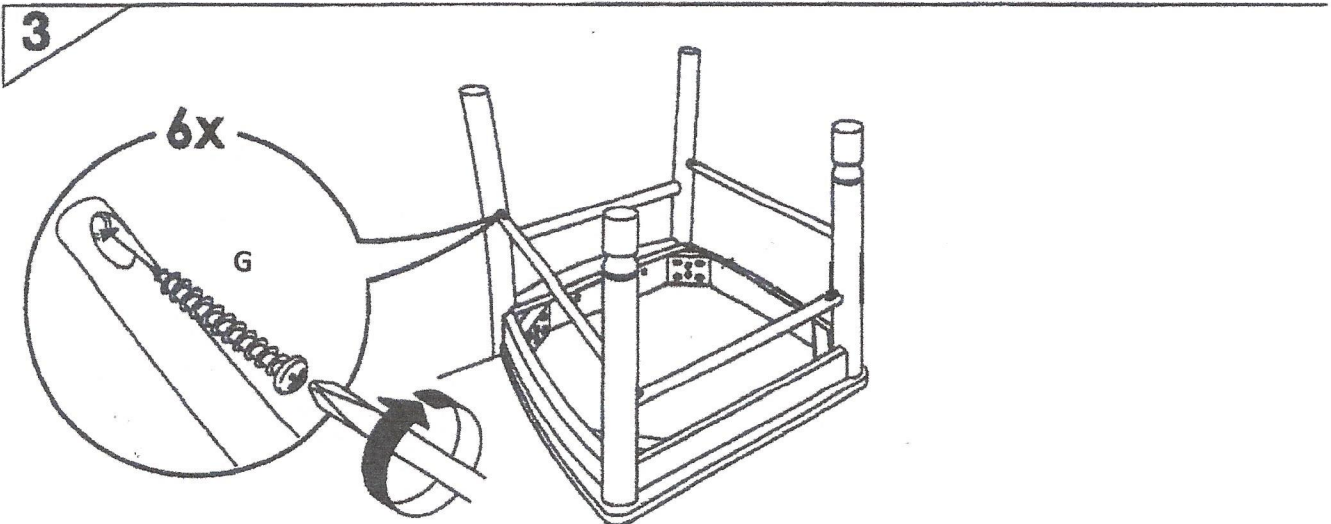
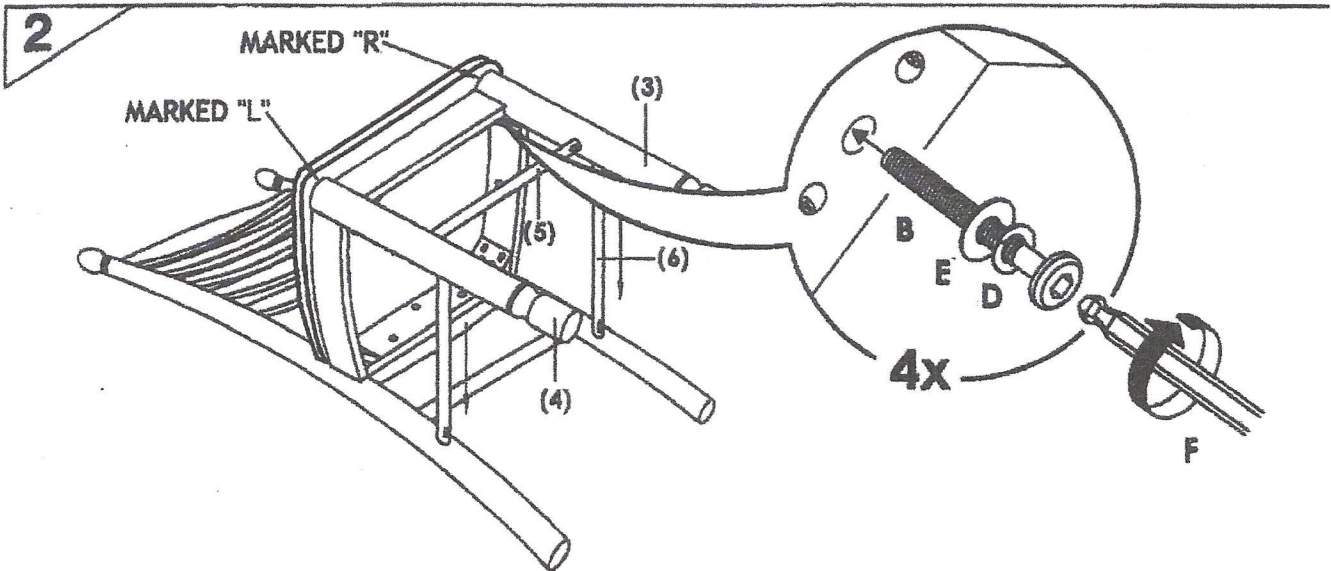
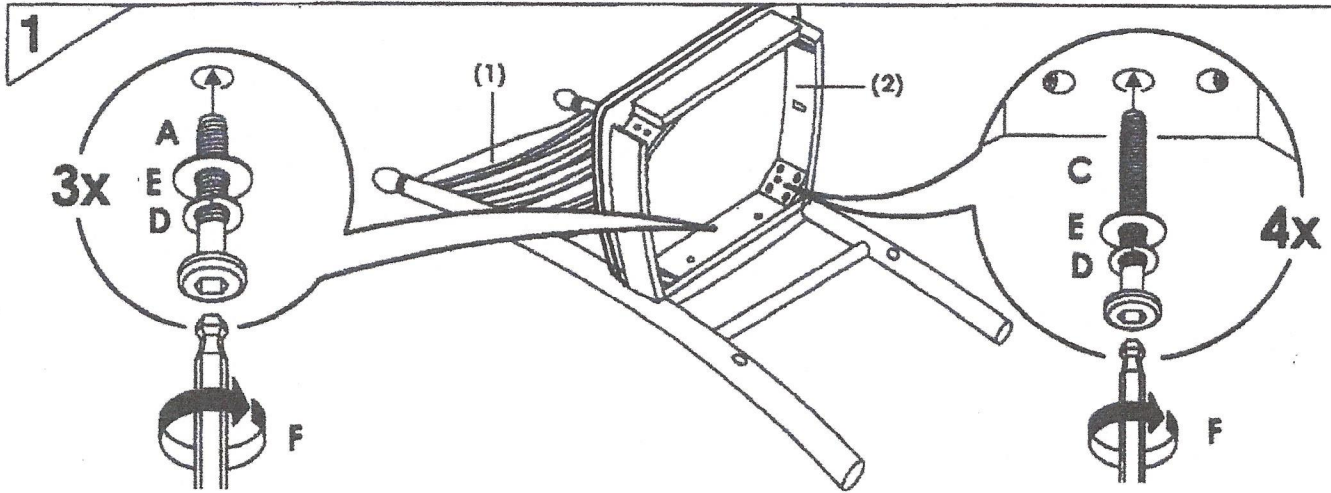


Phillips Head Screw Driver

IMPORTANT NOTE :

- Place all wooden parts on a clean and smooth surface such as a rug or carpet to avoid the parts from being scratched. Check to be sure that you have all parts and hardware. Remove all wrapping materials, including staples & packing straps before you start to assemble.
- Keep all hardware parts out of reach of children.
- **DO NOT TIGHTEN BOLTS/SCREWS UNTIL ALL COMPLETELY ASSEMBLED.**

ASSEMBLY INSTRUCTION
ITEM# 271



CARE AND MAINTENANCE !

• The touch of a soft cloth is all the maintenance your wood pieces will ever need. Never use harsh chemicals or abrasive cleaners, as they could mark or destroy finish.

MADE IN MALAYSIA