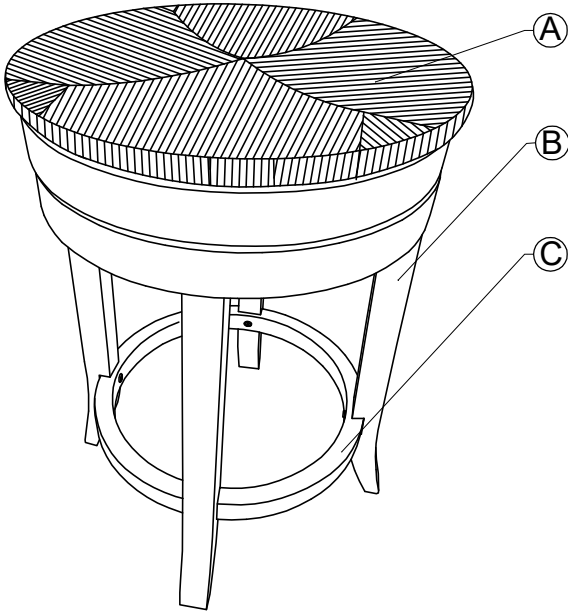




CAROLINA CHAIR & TABLE COMPANY

Thank you for purchasing a Carolina Chair & Table Company product. This product has been designed for easy assembly and is constructed for durability. Please take this time to read and follow the assembly instruction carefully. If a part or hardware is missing or you have any difficulties in assembling this product, please contact us Toll-Free at 18002283876.

ASSEMBLY INSTRUCTION ITEM#1924 /1930



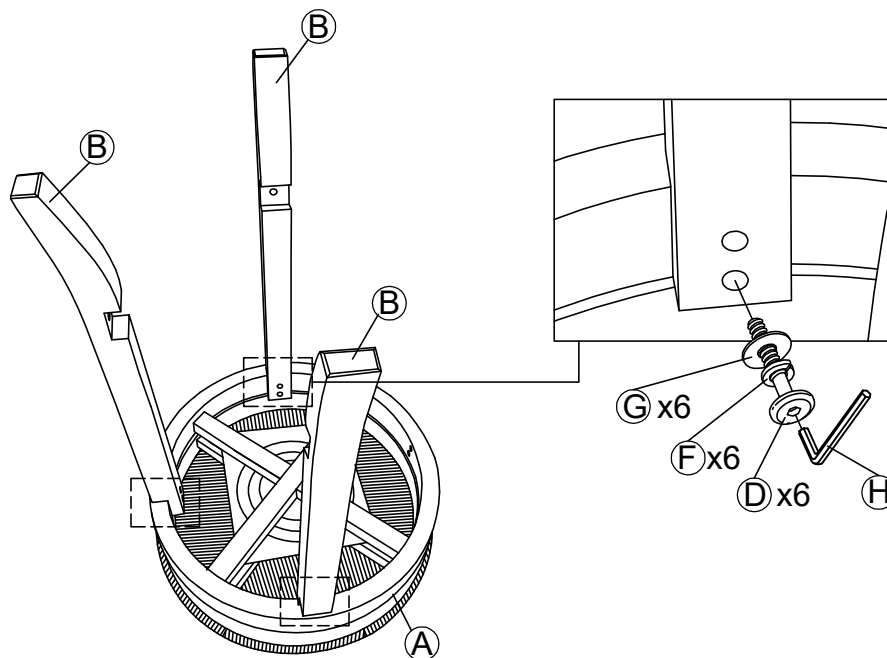
PARTS CHECK LIST

CODE	COMPONENTS	Q'TY
(A)	SEAT	x01
(B)	LEGS	x04
(C)	FOOT RING	x01

FITTINGS CHECK LIST

CODE	DESCRIPTION	Q'TY
(D)	JCBC M6 x 35mm	x08
(E)	JCBC M6 x 40mm	x04
(F)	SPRING WASHER M6	x12
(G)	FLAT WASHER M6	x08
(H)	ALLEN KEY M4	x01

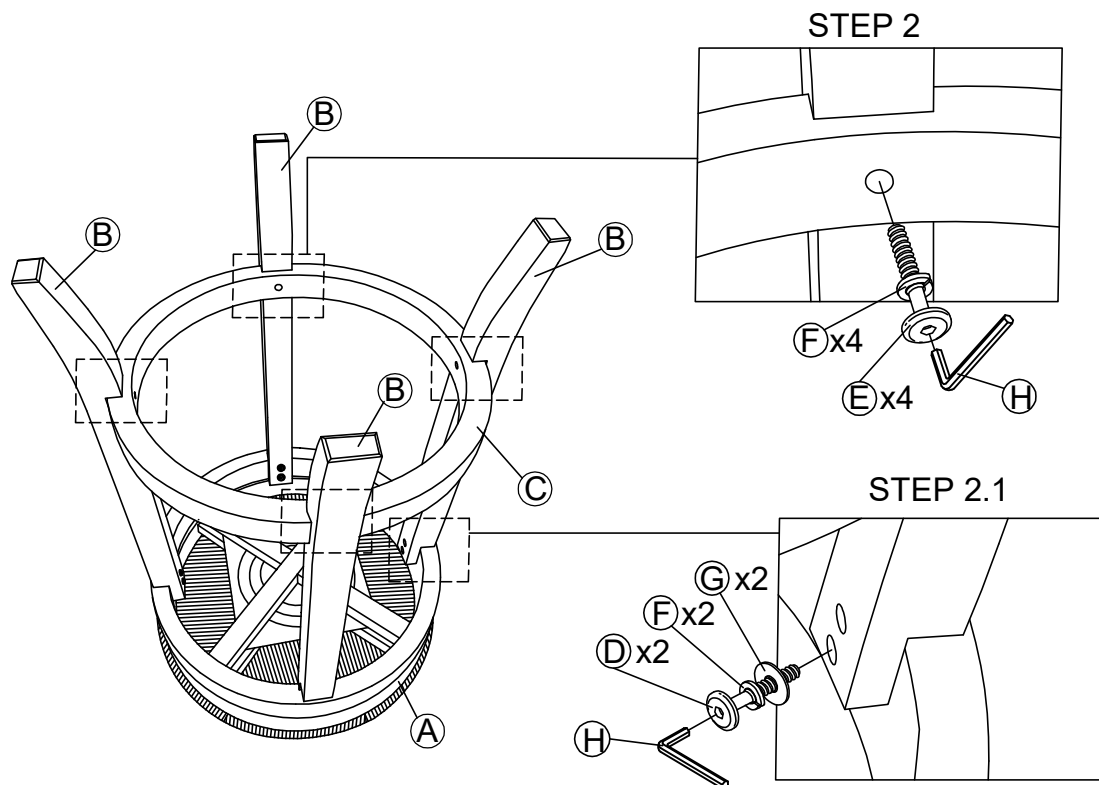
1. Assemble legs (B) to the seat (A) with JCBC (D) , spring washer (F) and flat washer (G).
Do not tighten all the way until step 2 is completed.



2.

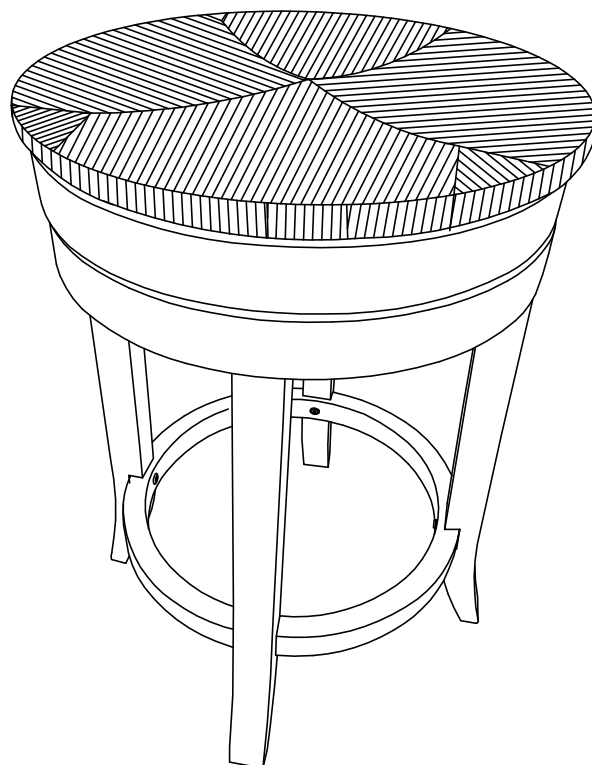
STEP 2 - Tighten the foot ring (C) to leg (B) with JCBC (E) and spring washer (F).

STEP 2.1 - Assemble legs (B) to the seat (A) with JCBC (D), spring washer (F) and flat washer (G).



3.

Please make sure all screws are tightened 100%.



ASSEMBLY
COMPLETED!!!