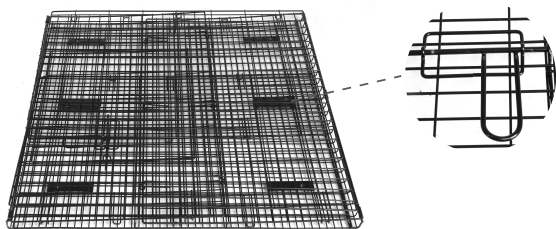


SKU's:1457219,1457220,1457221

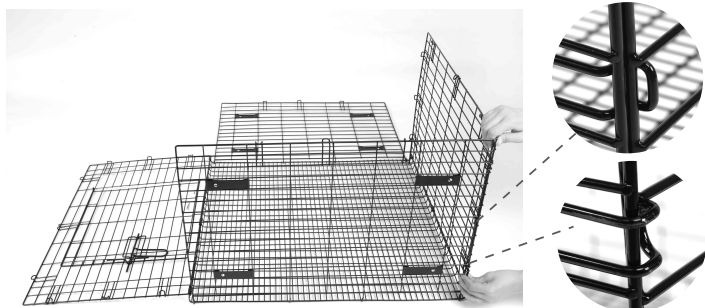
## Rabbit Cage Assembly Instructions

(Pictures may vary slightly from actual product)

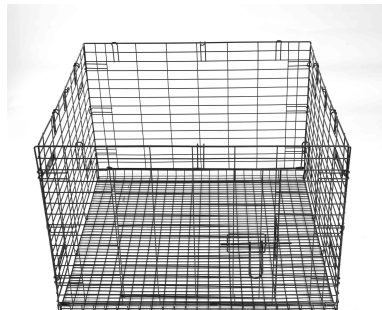
1. Take the folded cage out of the carton and put it on a flat surface. Remove the top panel and make sure the door on the front panel is closed to keep the cage secure during assembly.



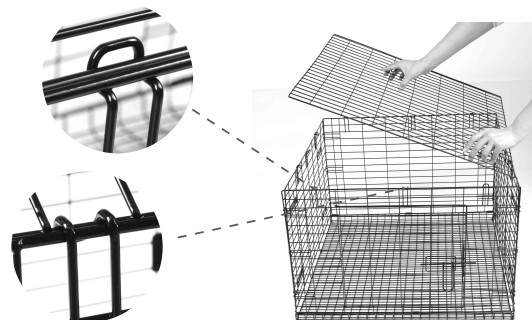
2. Grab any two adjacent side panels and slide the vertical panel into the side hooks until secure.



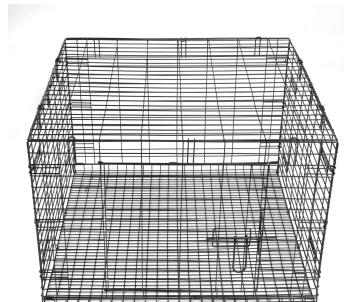
3. Repeat step 2 for the remaining side panels. You should now have the side of the cage assembled.



4. Gently place the top panel on the cage, then secure the top panel with the hooks on all 4 sides. Same as for side panel.



5. Check the cage and make sure all the panels are well secured in position.



Assembly time : 3 minutes  
Required for Assembly: 1 person  
No tools required

Distributed by:  
TRACTOR SUPPLY COMPANY  
5401 VIRGINIA WAY  
BRENTWOOD, TN 37027  
For customer support,  
call: 1-888-376-9601  
[www.TractorSupply.com](http://www.TractorSupply.com)  
MADE IN VIETNAM