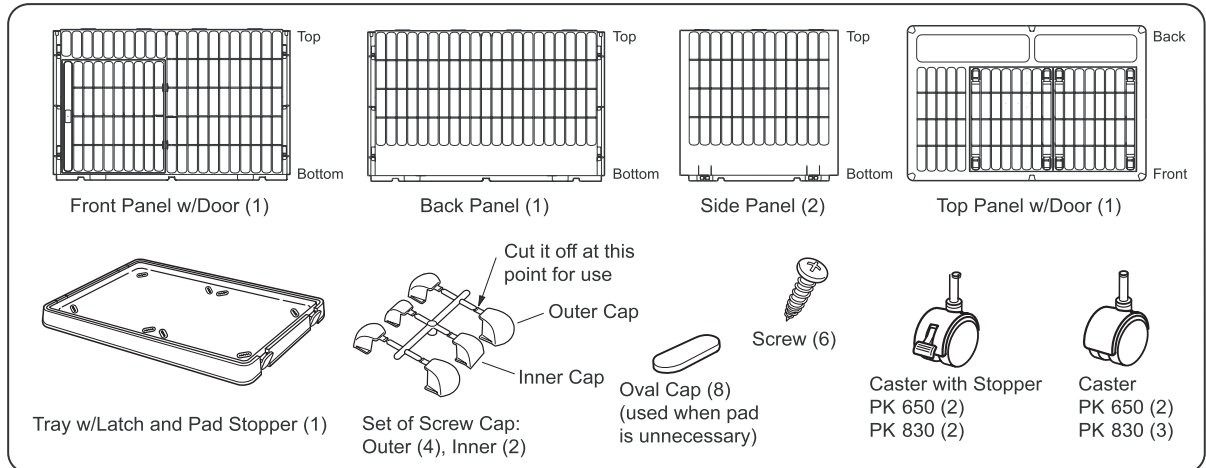


Instruction Manual

Thank you for choosing Richell's **PK 650/830 Pet Training Kennel**. Please read this instruction manual carefully before assembling or using this product, and keep for future reference.

Parts/Specifications

Before assembling, be sure all parts are included, as shown. (Figure is for PK 830)



Product Size	PK 650: 25.4"×19.7"×22.0" (64.5×50×56cm) PK 830: 32.3"×21.7"×24.6" (82×55×62.5cm)	Height without Casters: 20.3" (51.5cm) Height without Casters: 22.8" (58cm)
Product Weight	PK 650: 15.0lbs (6.8kg) PK 830: 18.8lbs (8.5kg)	
Materials	Crate: ABS	
	Tray, Oval Cap: Polypropylene	
	Latch: Polystyrene	
	Pad Stopper: Polystyrene	
	Others: ABS	

Product specifications are subject to change.

Cautions

- PK 650 is designed for small dogs, such as Shih Tzu, Miniature Dachshund etc.
- PK 830 is designed for medium dogs, such as Shetland Sheepdog, Shiba etc.
- Do not stand or sit down on the Top Panel.
- Be careful of sharp objects while assembling or using.
- Stop using product if pet bites Pad Stopper.
- Place the sheet under the product due to leaks from the corner of Tray or Stopper.
- This product is designed for dogs and cats. Do not use this product for anything other than its intended purpose.
- Do not let your child play with the product.
- Do not place anything on Top Panel.
- Place the product on a flat, sturdy surface.
- Do not move the product with pets inside.
- Carry by grasping both Side Panels or Tray.
- Be careful of pinching hands, fingers, or pets.
- Keep the product away from fire or extremely high temperatures.
- Use the product carefully. Don't drop or hit it.
- Do not use outside.

How to clean

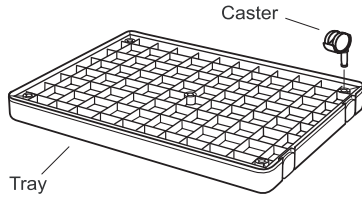
- Use mild detergent and water, and clean with soft cloth or sponge.
- Never use harsh chemicals such as thinner, benzoin or alcohol.
- Diluted creosol or other disinfectants may be used.
- Use of scrub brush or scouring powder may result in scratches on the product.
- After cleaning, do not dry product in direct sunlight. Place in shade to dry.

How to assemble

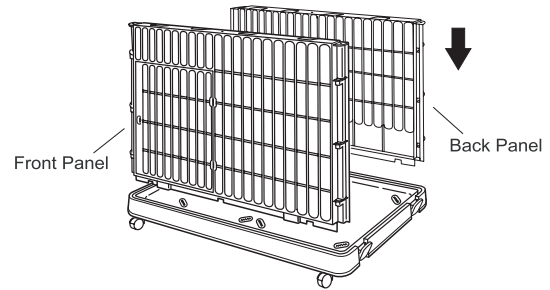
You will need a Phillips-head screwdriver.

- 1** Insert casters into corner holes on bottom of Tray as shown.

PK 650: 4 holes
PK 830: 5 holes

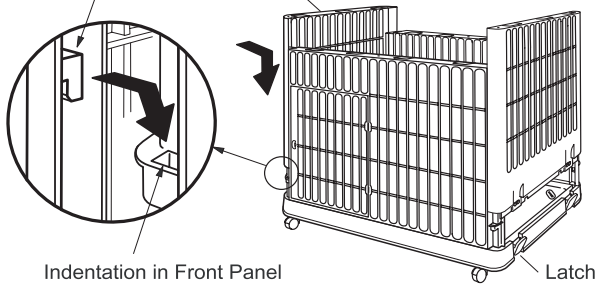


- 2** Attach Front and Back Panel into grooves of Tray, making sure the panels are right-side-up.

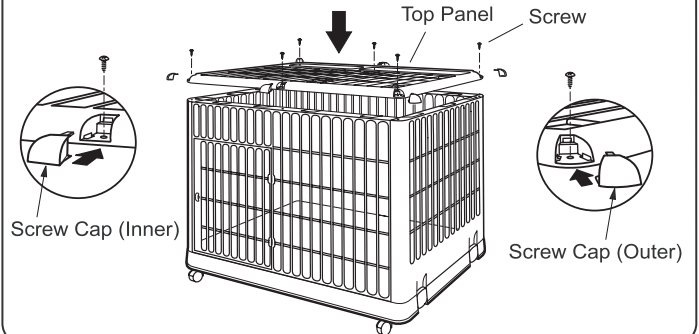


- 3** Insert Side Panels into Front and Back Panels as shown and secure with 4 Latches.

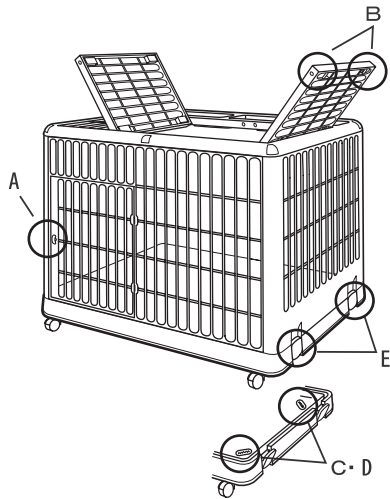
Catch in Side Panel Side Panel



- 4** Attach Top Panel as shown and secure with 6 screws, then cover screws with screw caps.

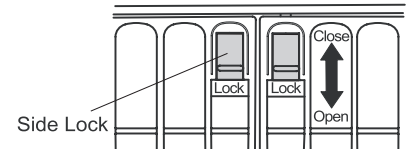


How to handle each part



- B** Open/Close and Remove Top Panel Door

To open the Top Panel Door, slide Side Locks inward. To close, slide the Locks outward. When all 4 Side Locks are open, Top panel Door may be removed.



Note: Kennel should be closed whenever pet is inside.
(The word "Lock" is visible on each Lock when it is secure)

- C** If pad is not needed

Remove Pad Stoppers following the steps below and install Oval caps when not in use.

How to Install/Remove Pad Stopper

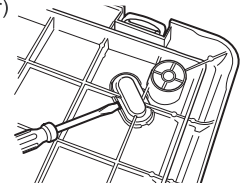
(Removing) Heat with a hairdryer to soften for easy removal.

(Installing) Insert Pad Stoppers into holes in Tray. (Hot water makes it easier)

How to Install/Remove Oval Caps

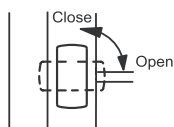
(Installing) Line up Oval Caps with holes in Tray and insert.

(Removing) From underside of Tray, use flat head screwdriver to push out Oval Cap.



- A** Open/Close Front Panel Door

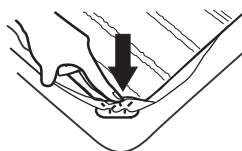
To open Front Panel Door, rotate Front Lock clockwise.



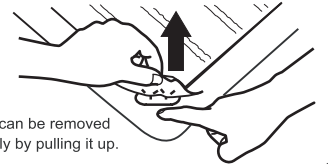
Make sure the upper and lower shafts are locked when it is closed.

- D** How to Attach/Remove Pad

Insert pad into Pad Stopper as shown, leaving around 0.4 to 0.8" (1-2cm) for corners.



Pad can be removed simply by pulling it up.



- E** Remove Kennel

To clean Tray, remove 4 Latches and lift Kennel.

Designed by:
Richell Corporation, Japan

Distributed by:
Richell USA Inc.
2810 Avenue E East, Arlington, TX 76011
Phone (972) 641-9795 Fax (972) 641-8495 www.richellusa.com