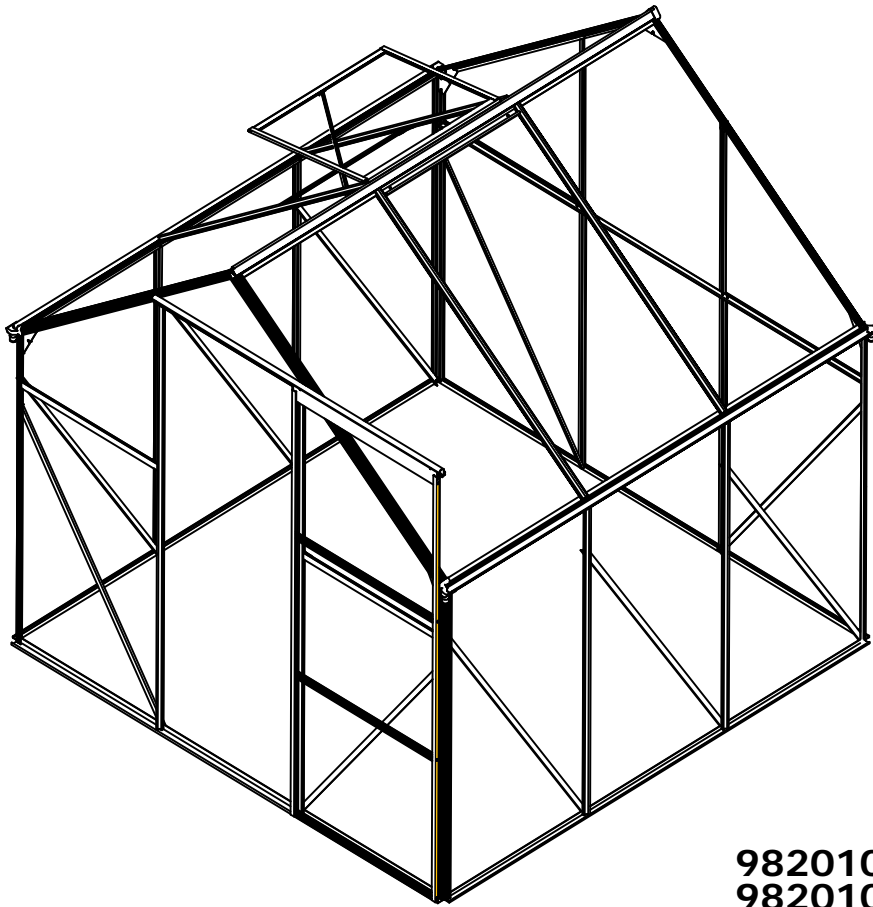


Greenhouse

Assembly Instructions

Overall Size/CM: L190 x W190 x H195
Overall Size/inch: L75"x W75"x H77"



9820101-1
9820101-2

IMPORTANT

You must read these instructions carefully before you start to assemble this greenhouse.

Please ensure that you find all parts in the carton box in the correct type and quantity as mentioned in the list illustrated in every page accordingly.

Please carry out the steps in the order set out in these instructions.

Do not tighten the steps in the greenhouse until completing on the assembly of the polycarbonate panels.

Keep these instructions in a safe place for future reference.

SAFETY ADVICE

We strongly recommend the use of work gloves during assembly.

Do not attempt to assemble the Aluminum greenhouse in windy or wet conditions,

Do not touch overhead power cables with the aluminum profiles.

Always wear shoes and safety goggles when working with extruded aluminum.

Dispose of all plastic bags safely and keep them out of reach of children.

The Aluminum greenhouse must be positioned and fixed on a flat level surface.

Do not lean against or push the Aluminum Greenhouse during construction.

Keep children away from the assembly area.

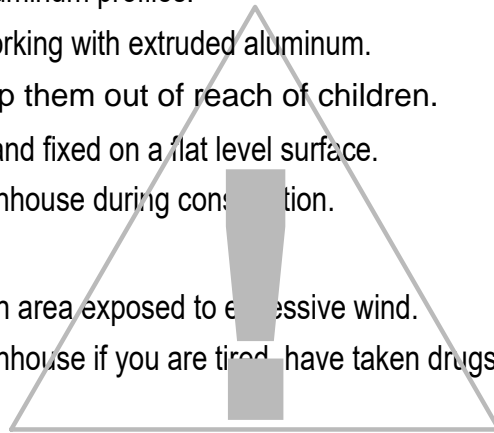
Do not position your Aluminum greenhouse in an area exposed to excessive wind.

Do not attempt to assemble this Aluminum greenhouse if you are tired, have taken drugs or alcohol or if you are prone to dizzy spells.

If using a step ladder or power tools ensure that you follow the manufactures safety advice.

Hot items such as recently used grills, blowtorches etc. must not be stored in the Wall shed.

Ensure there are no hidden pipes or cables in the ground before inserting the pegs.



GENERAL ADVICE

This is a multi-part assembly, allow at least 3-4 hours for assembly.

In selecting a site-choose a sunny level position away from overhanging trees.

If you are fixing your Aluminum Greenhouse directly to a solid concrete foundation use the pre drilled holes in the metal base supplied.

The component parts should be checked and laid out close at hand.

Keep all small parts(screws etc)in a bowl so they do not get lost.

Note that the door is hinged on the right hand side and therefore opens to the right space needed.

Keep roof clear of snow and leaves.

CARE & MAINTENANCE

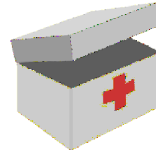
When your Aluminum greenhouse needs cleaning, use a mild detergent solution and rinse with cold clean water.

Do NOT use acetone, abrasive cleaners or other special detergents to clean the clear panels.

TOOLS & EQUIPMENT ADVISED

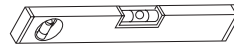
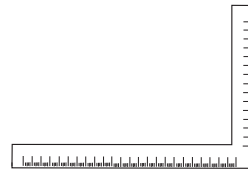
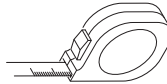
Protective Equipment:

1. Helmet
2. Glove
3. Long Sleeve Cotton Overalls
4. Emergency Medicine Cabinet
5. Eye Shield



Mesurement Tools:

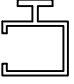
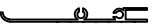


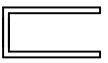


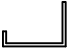



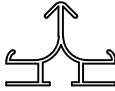


1. Tape Measure (16.4 Feet)
2. Angle Square
3. Level Meter

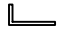







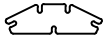
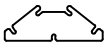

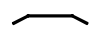
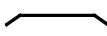




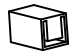





Advised Installation Tools:




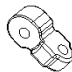
1. Triangle Stair 5 feet height
2. Spanner 10mm / (25/64) (Ratchet Wrench is better)
3. Spanner 14mm / (35/64) (Install the expansion screw)
4. Hexagon wrench 5mm (13/64) inch
5. Electric screwdriver + 5mm (13/64) inch hexagon wrench
6. Wooden Mallet
7. Marking Pen
8. Percussion bit (10mm) (25/64)
9. Knife
10. Phillips screwdriver



PART	NO.	Qty.
	D1	1
	D4	1
	D2	1
	D3	3
	W1	1
	W2	2
	W3	1
	W4	1
	4	2
	5	1
	6	1
	7	4
	16	4
	8	2
	9	2
	10R	1
	10L	1
	19	4
	20	4
	12	4
	15	2
	13	1

PART	NO.	Qty.
	14	1
	22	6
	23	4
	17	1
	18	1
	25	2
	26	1
	B1	6
	B3	2
	B4	4
	B5	4
	B6	2
	B7	1
	T1	4
	T2	2
	S2	11
	S5	2
	S6R	2
	S6L	2
	S7R	1
	S7L	1
	S8	1
	F1	10
	F2	4
	F4	138

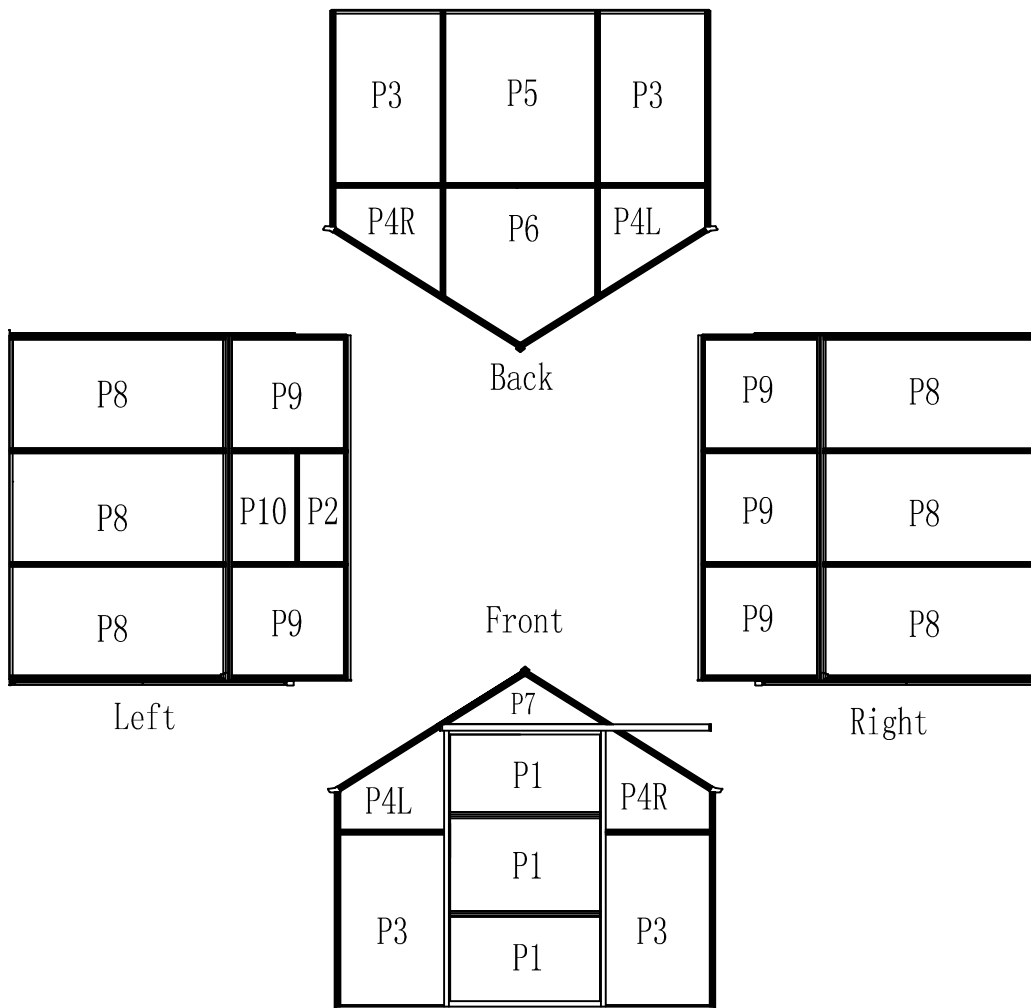
Parts List

PART	NO.	Qty.
 M5(13/64")	F6	2
 M4(5/32")	F8	1
 M4(5/32")	F9	1
	S9	1

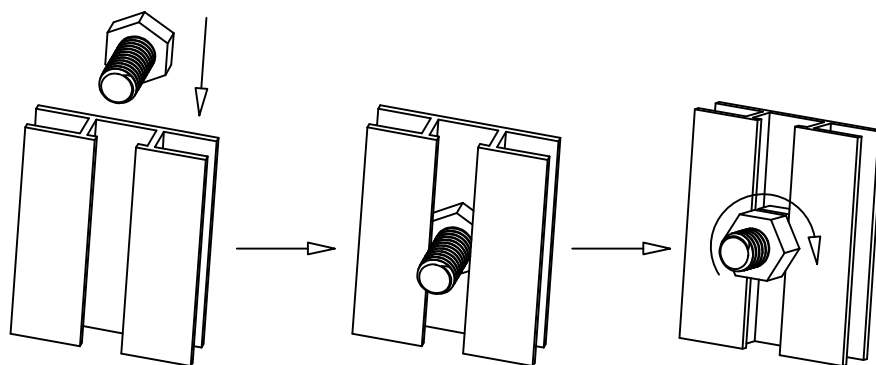
PC BOARDS	P1	3
	P2	1
	P3	4
	P4R	2
	P4L	2
	P5	1
	P6	1
	P7	1
	P8	6
	P9	5
P10	1	

T5(13/64")
T5(13/64")
M5(13/64")

SUMMARY STATEMENT FOR POLYCARBONATE PANEL



The UV-protected side of the sheet is covered with transparent film and must face towards the sun.

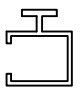

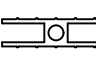



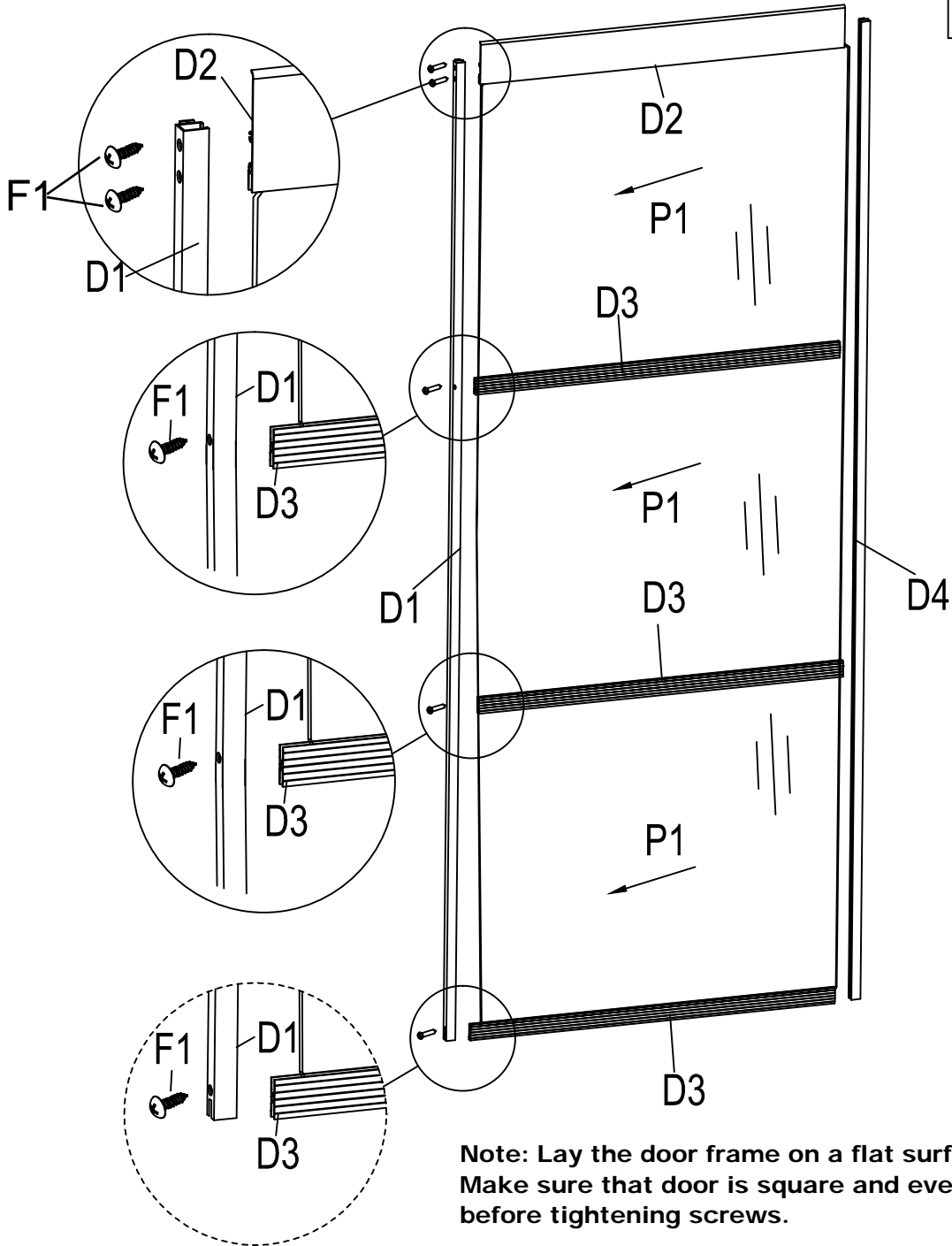
"hexagonal screw" installation

Place the "hexagonal screw" into the groove, turn clockwise until it stops turning. Adjust the "hexagonal screw" by hand and twist so threads fix it in place. Place other parts on "hexagonal screw" and assemble nut.

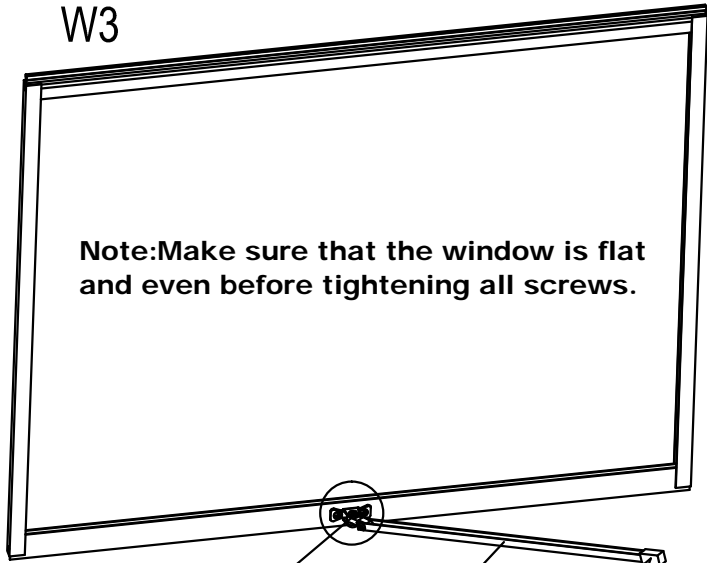
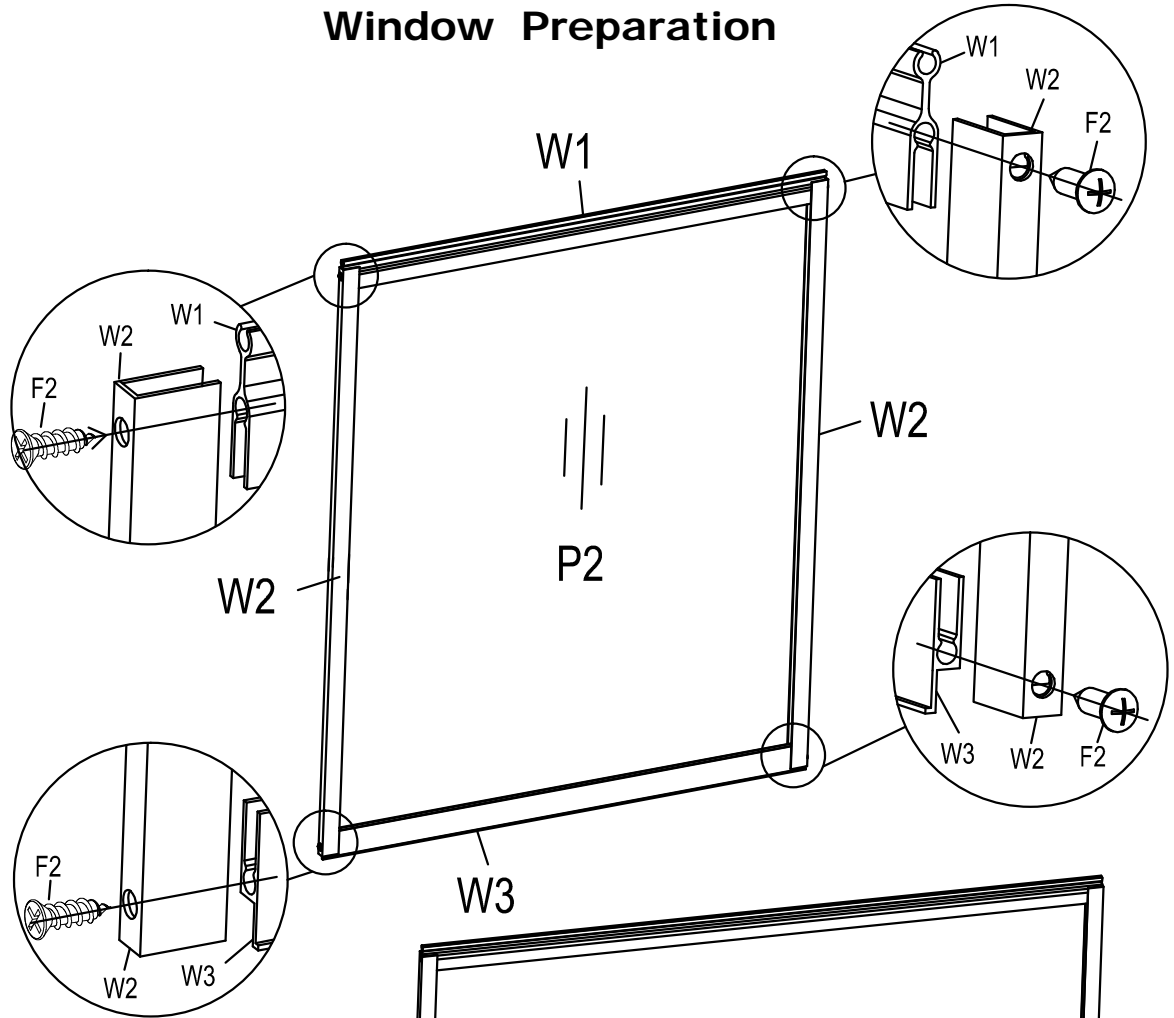
Do not fully-tighten screws

Door Preparation

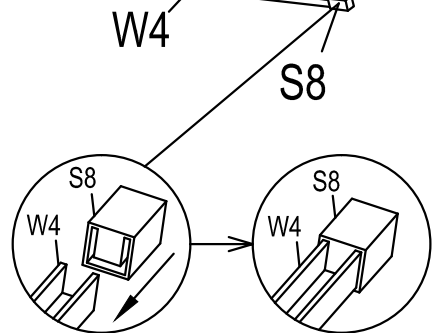
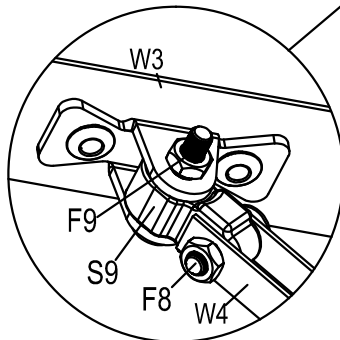
PART	NO.	Qty.
	D1	1
	D4	1
	D2	1
	D3	3
	F1	10



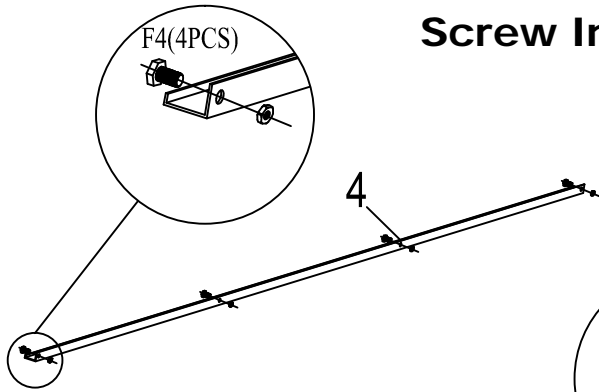
Window Preparation



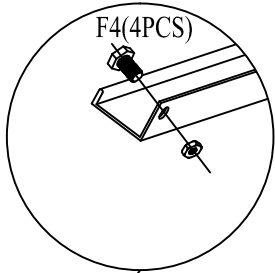
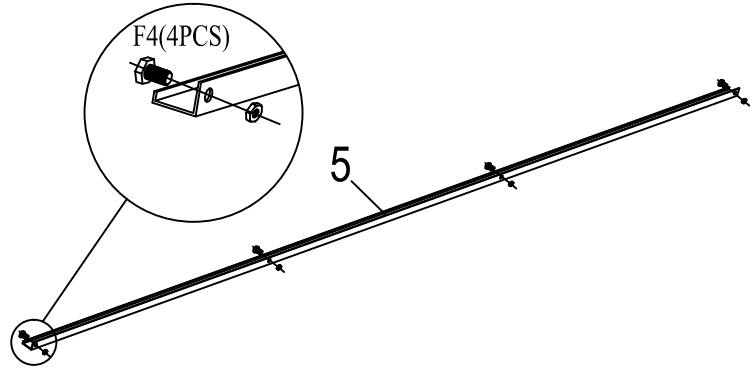
PART	NO.	Qty.
	W1	1
	W2	2
	W3	1
	W4	1
	S8	1
	S9	1
	F2	4
	F8	1
	F9	1



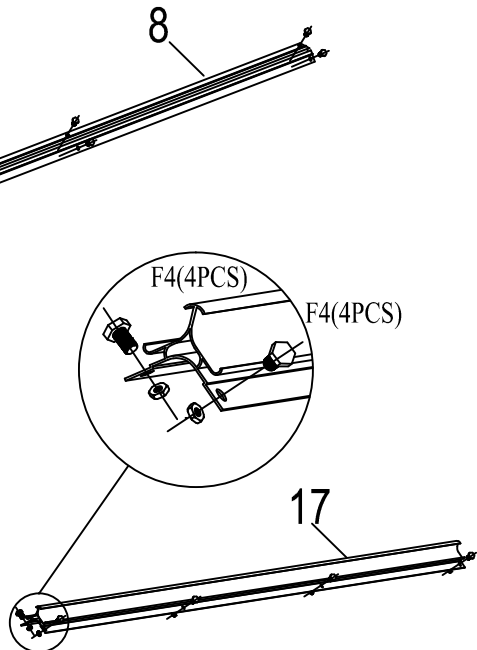
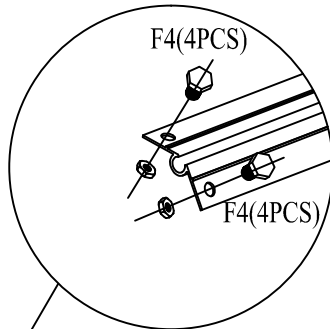
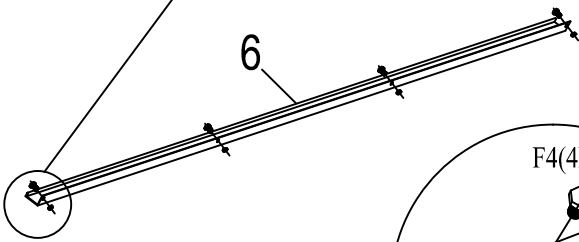
Screw Insertion Preparation


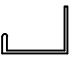





Assemble the base 4-5-4-6 as shown on the next page

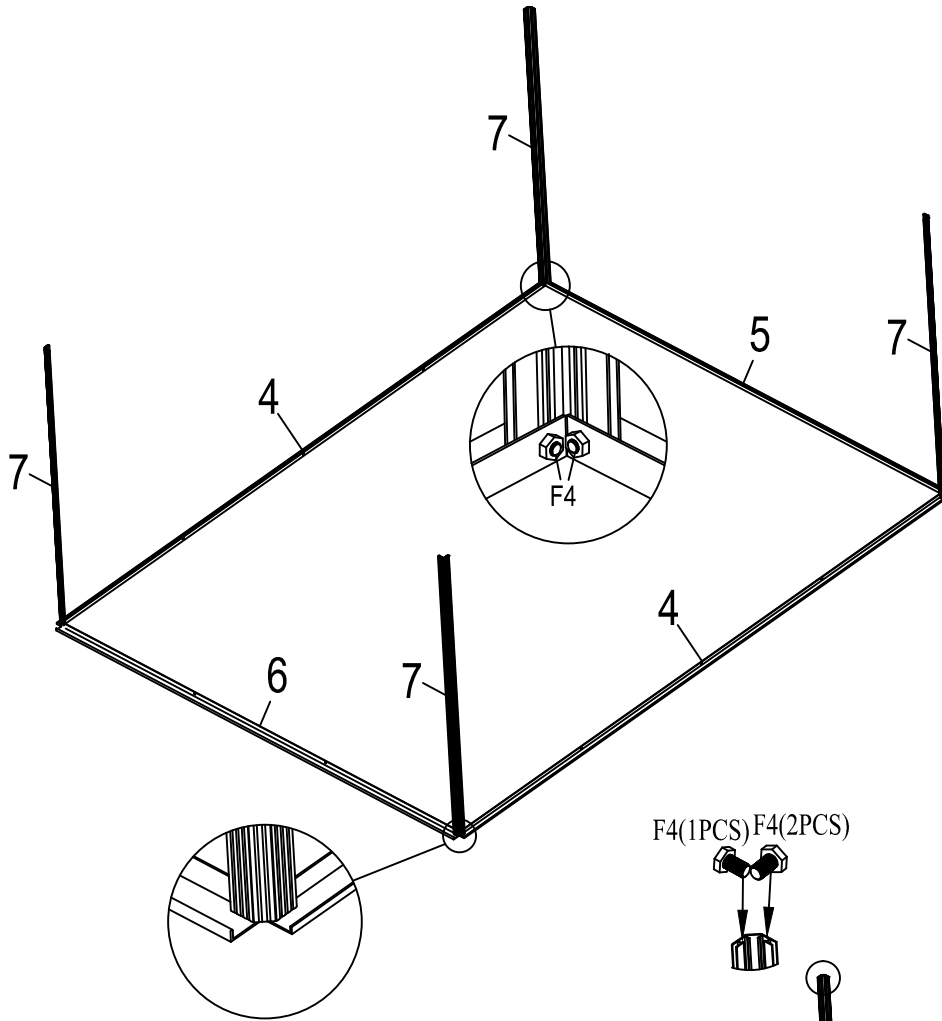


Screw insertion preparation

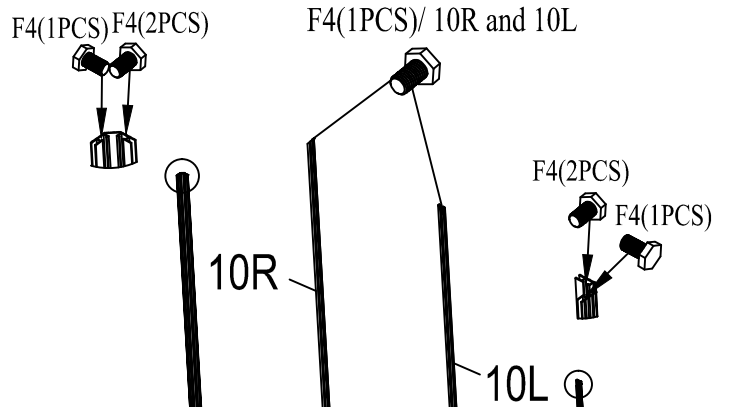


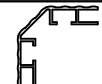
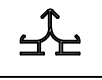

PART	NO.	Qty.
	4	2
	5	1
	6	1
	8	2
	17	1
	F4	40

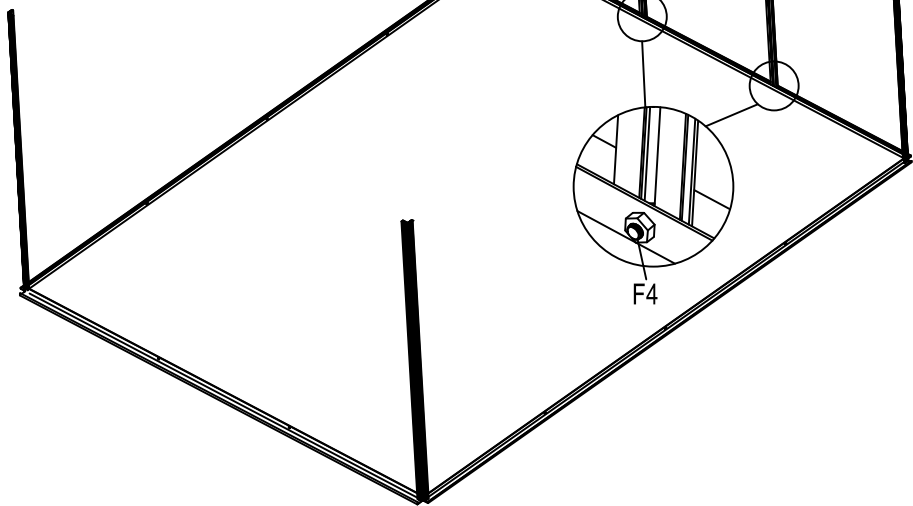
Corner Posts Installation



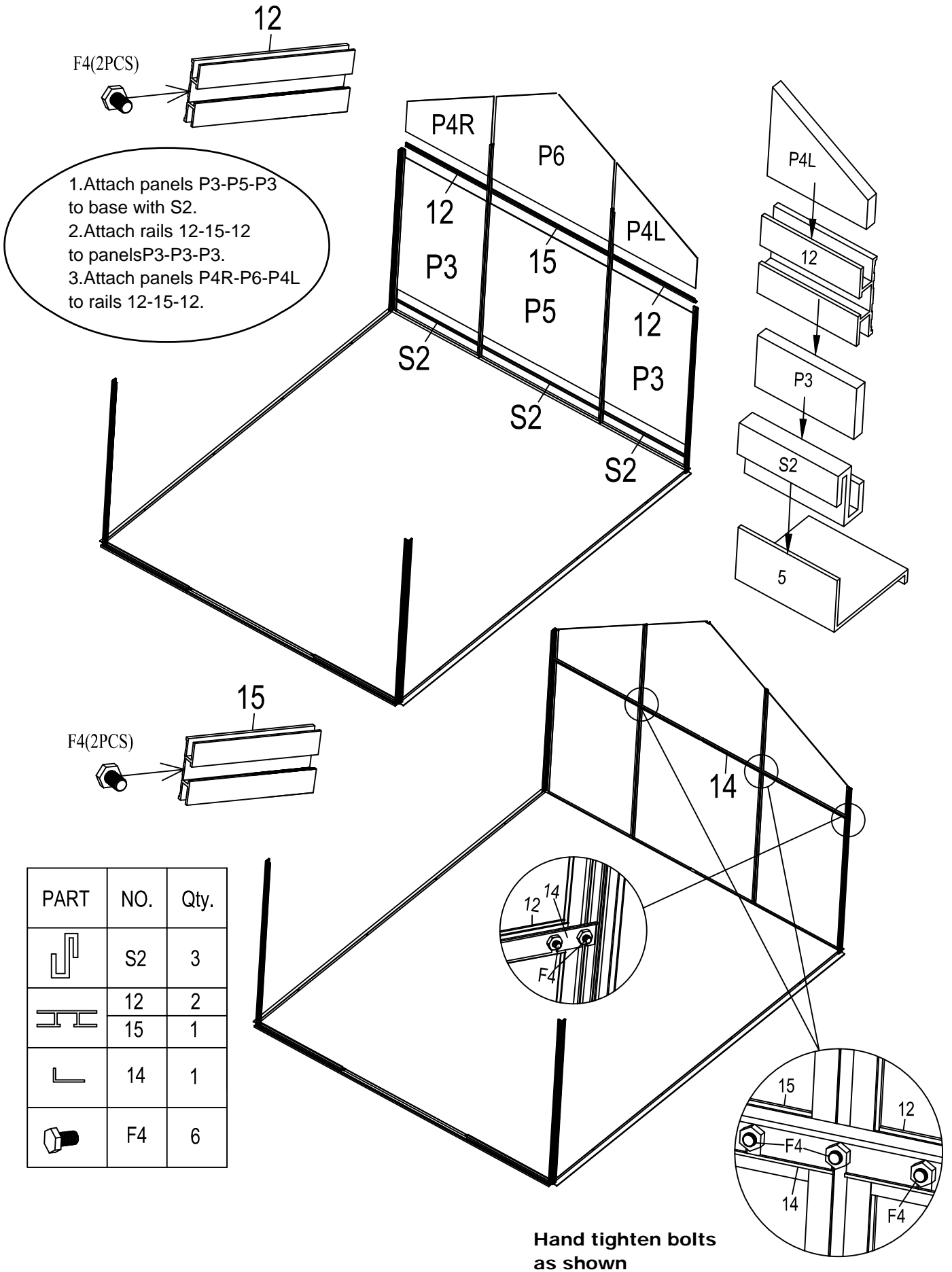
1. Assemble upright 10R/10L for the bae panels.
2. Insert hex bolts in quantities shown.



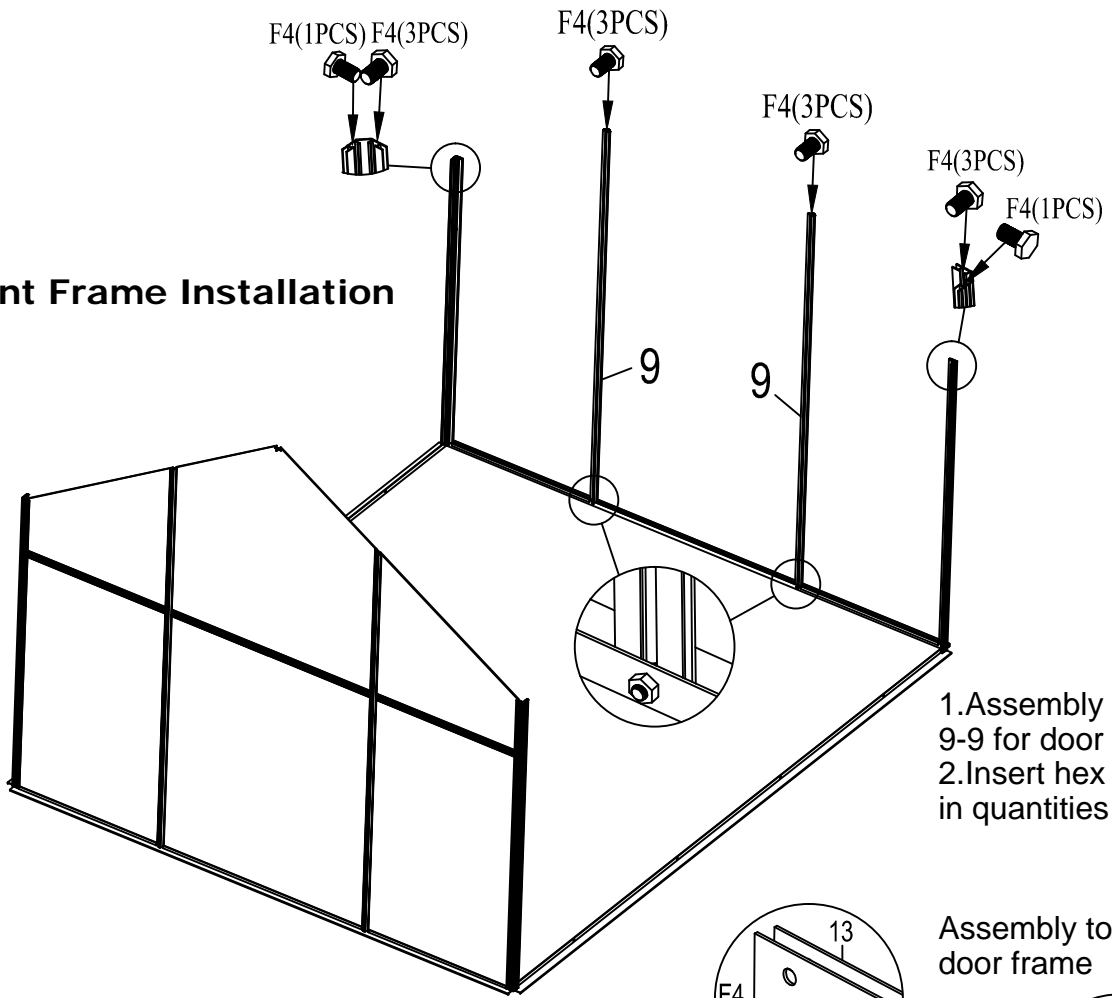
PART	NO.	Qty.
	7	4
	10R	1
	10L	1
	F4	8



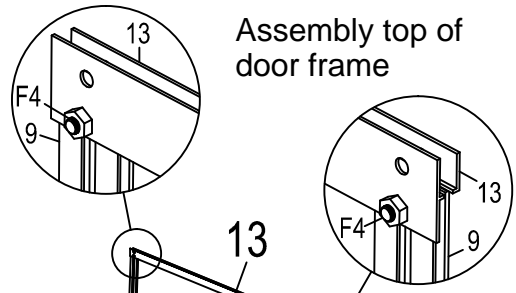
Back Wall Assembly & Installation



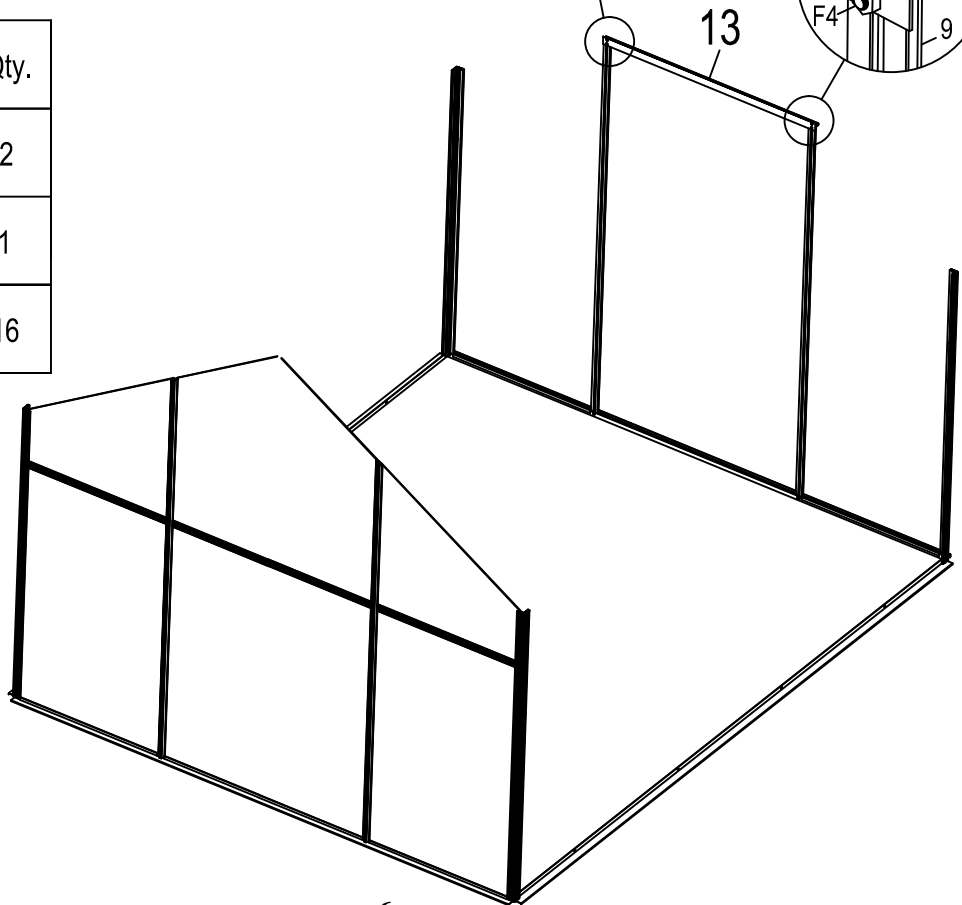
Front Frame Installation



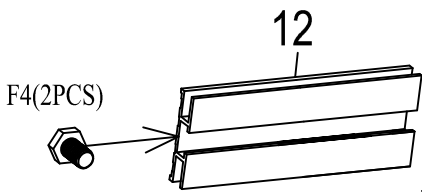
1. Assembly upright 9-9 for door frame.
2. Insert hex bolts in quantities shown.



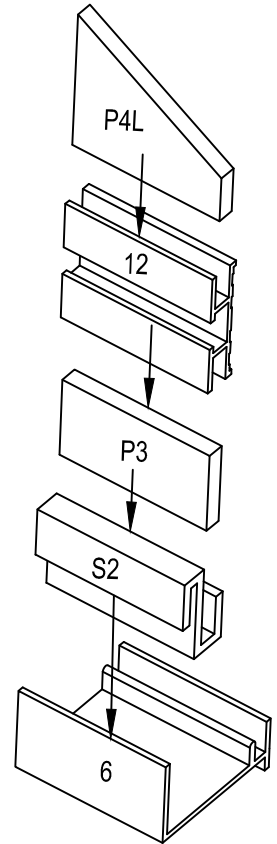
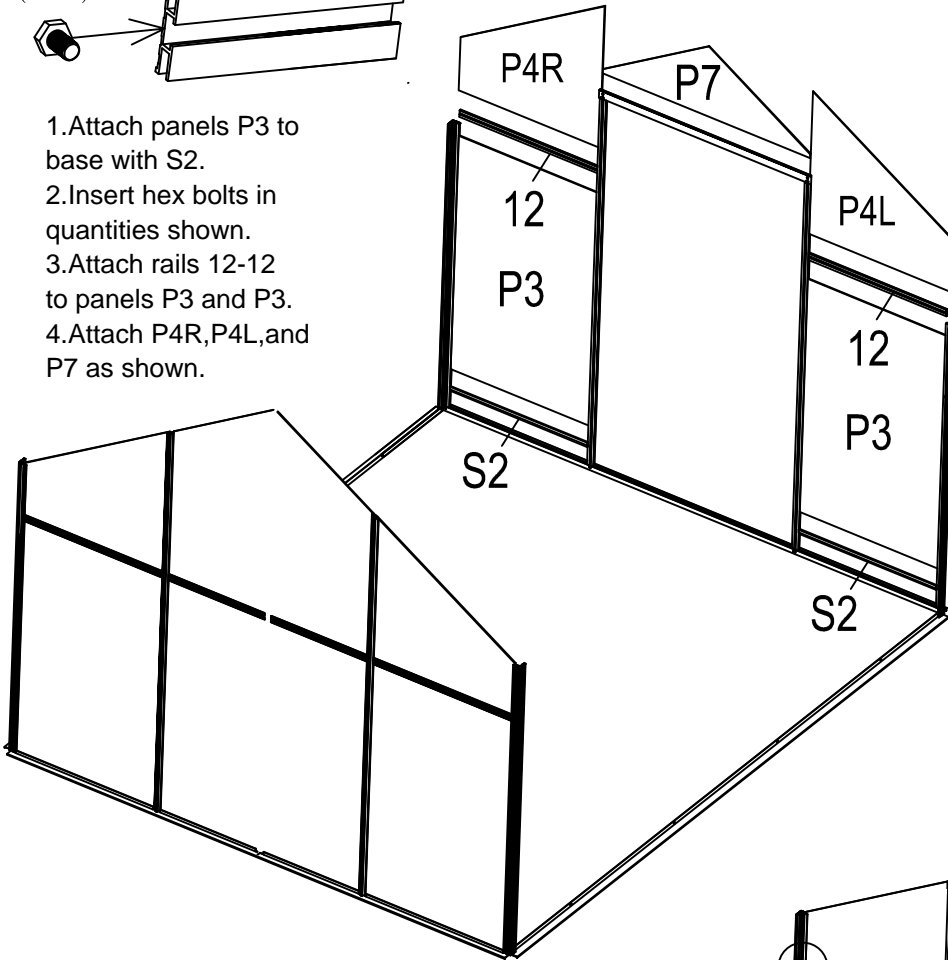
PART	NO.	Qty.
	9	2
	13	1
	F4	16


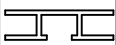




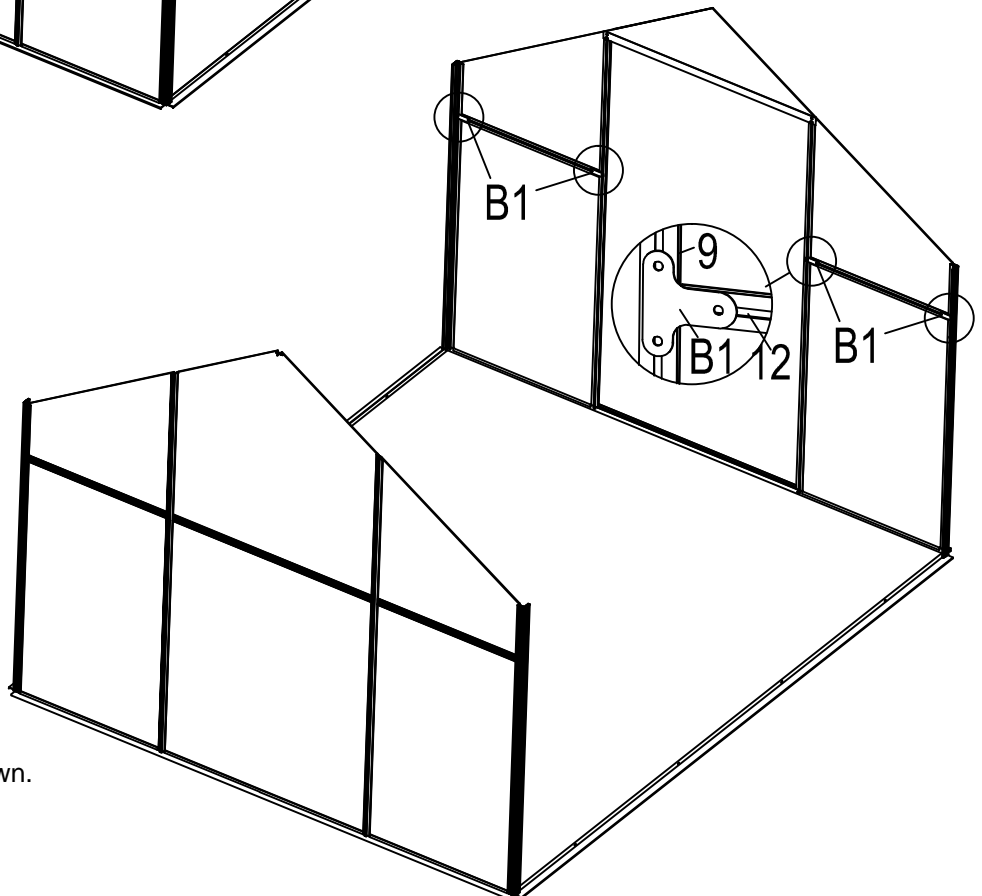
Front Wall Installation



1. Attach panels P3 to base with S2.
2. Insert hex bolts in quantities shown.
3. Attach rails 12-12 to panels P3 and P3.
4. Attach P4R, P4L, and P7 as shown.



PART	NO.	Qty.
	S2	2
	12	2
	B1	4
	F4	4

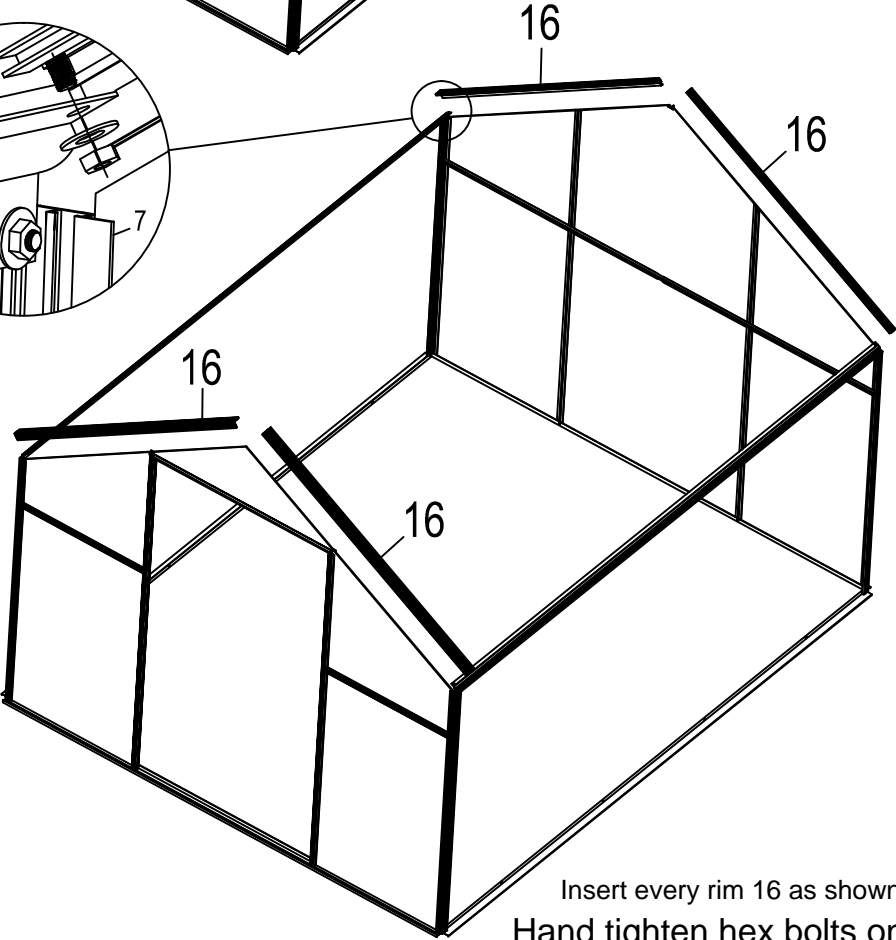
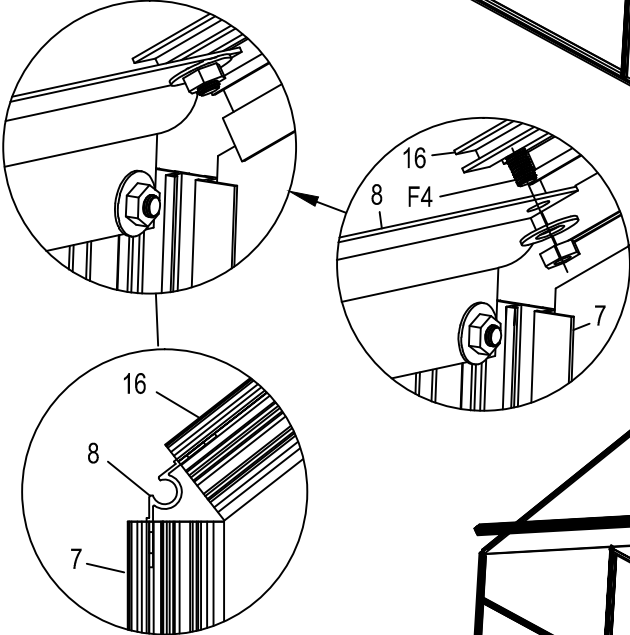
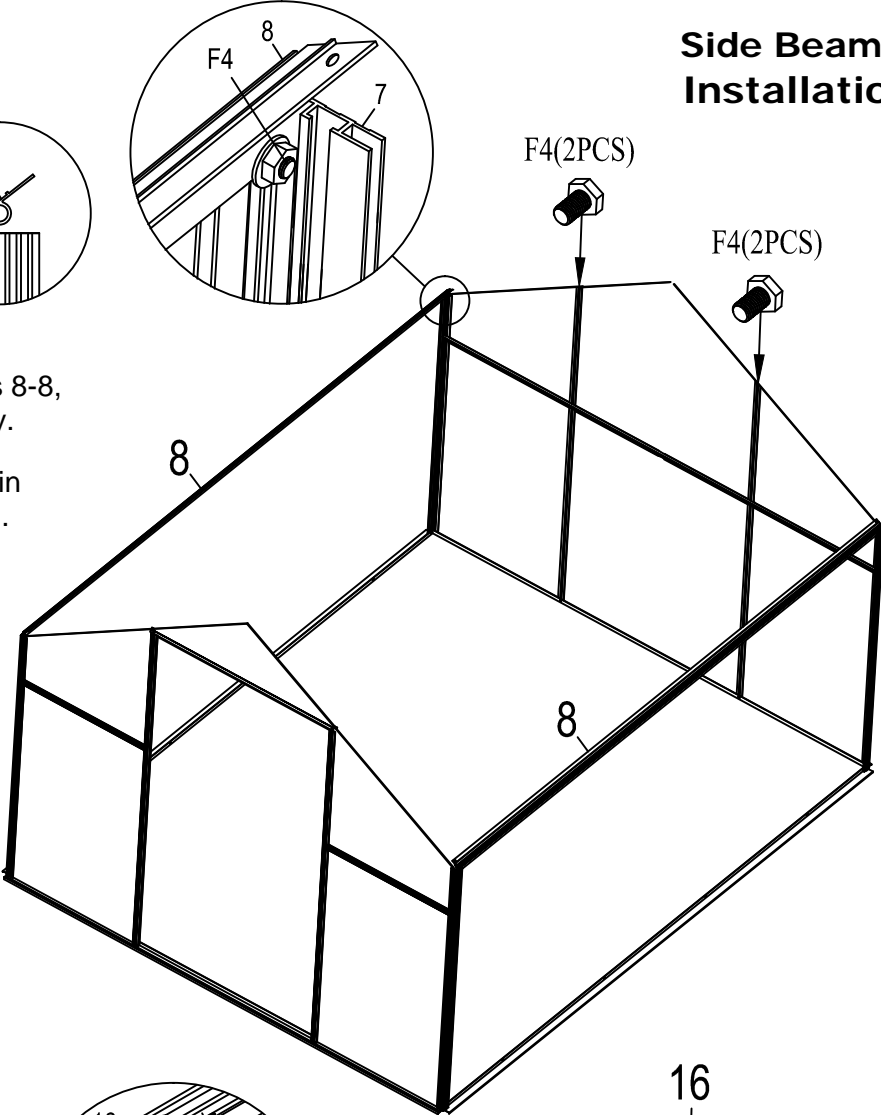





Install corner backs as shown.

Do not fully tighten.

Side Beams Installation





1. Install crossbars 8-8, hand tighten only.
2. Insert hex bolts in quantities shown.



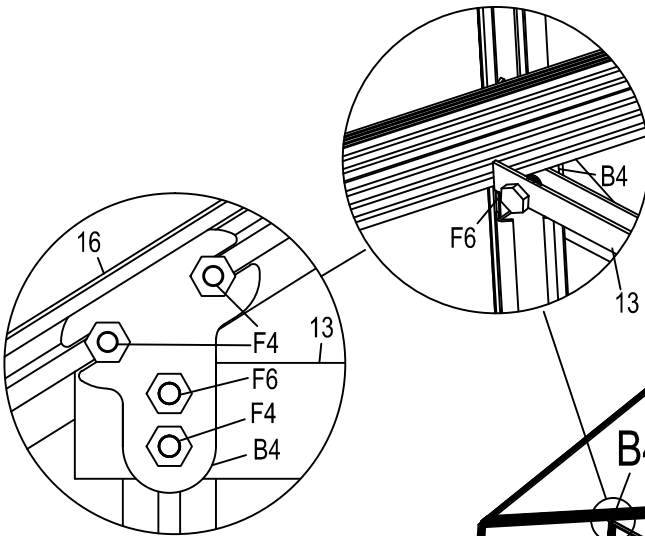
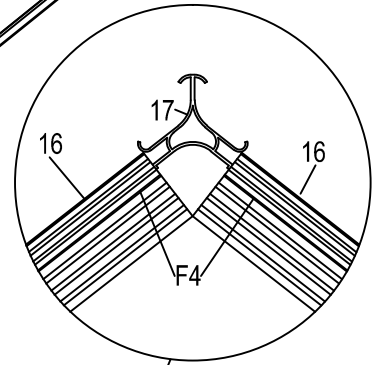
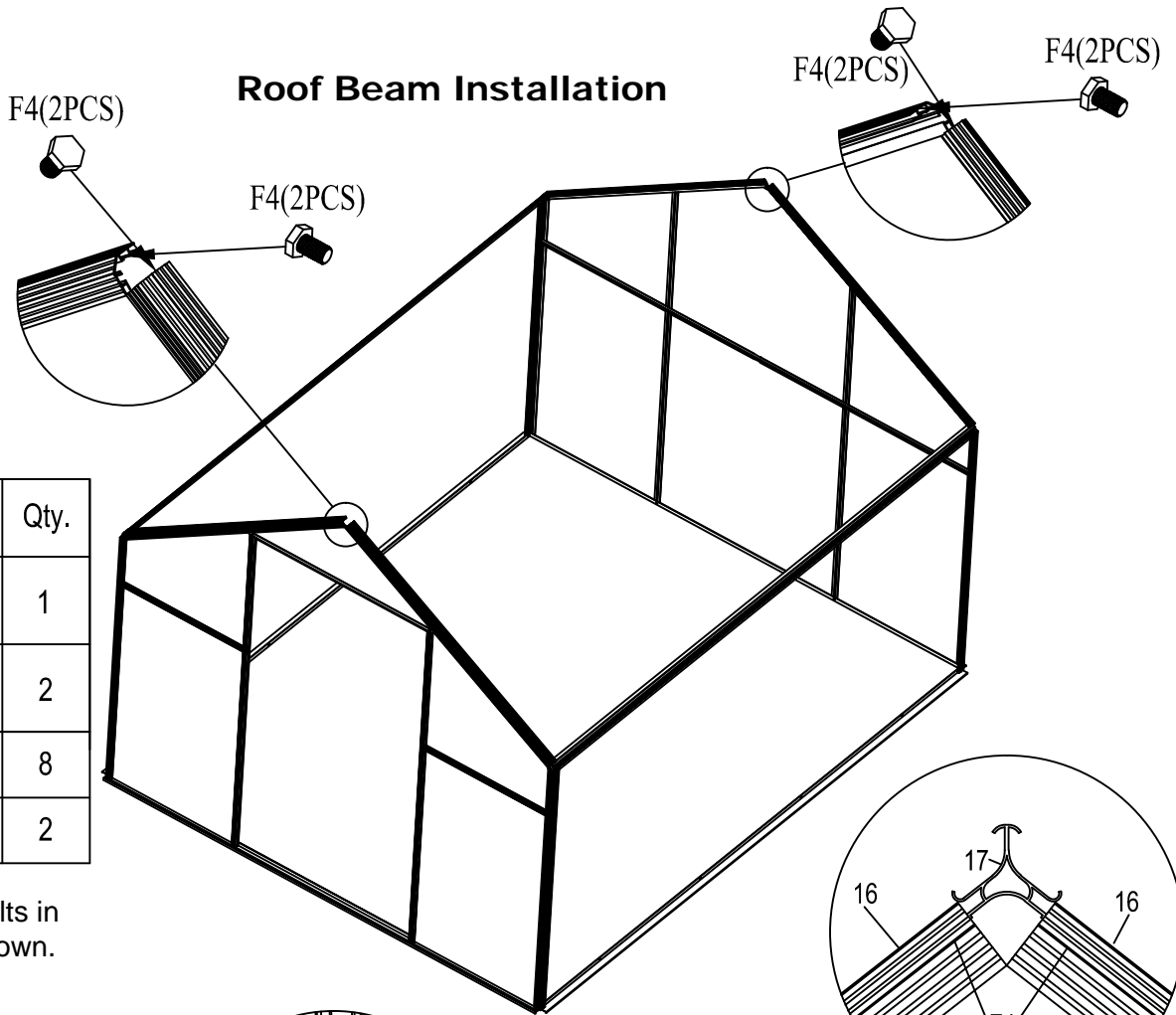
PART	NO.	Qty.
	8	2
	16	4
	F4	4

Insert every rim 16 as shown.
Hand tighten hex bolts only.

Roof Beam Installation

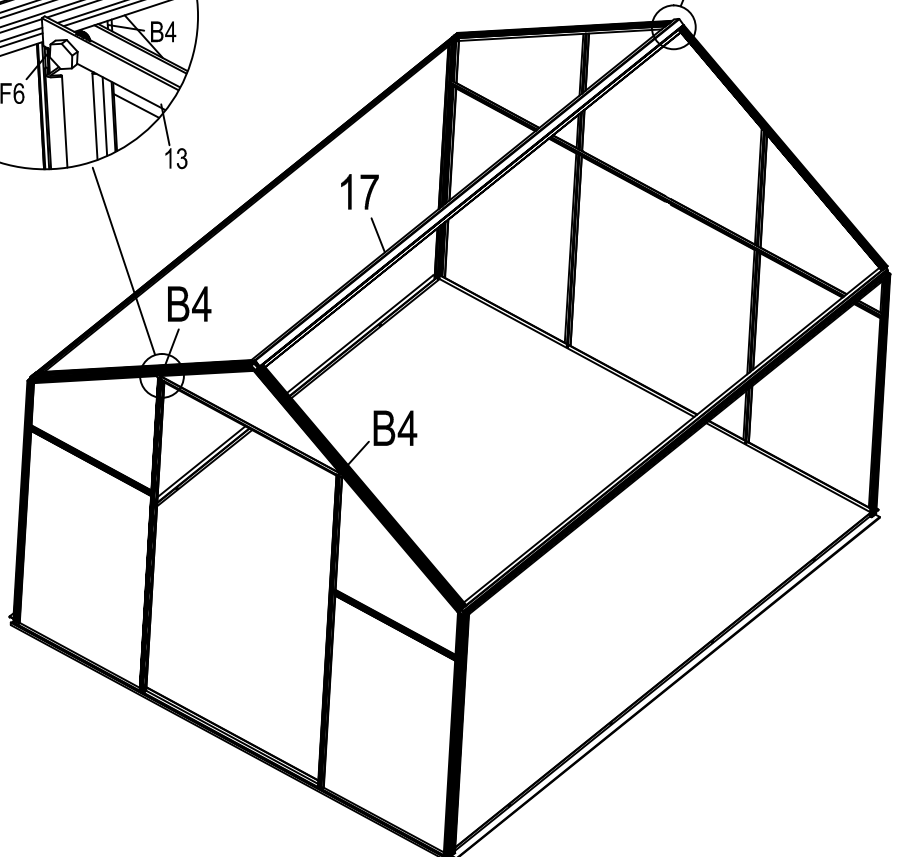
PART	NO.	Qty.
	17	1
	B4	2
	F4	8
	F6	2

Insert hex bolts in quantities shown.


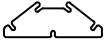
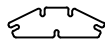





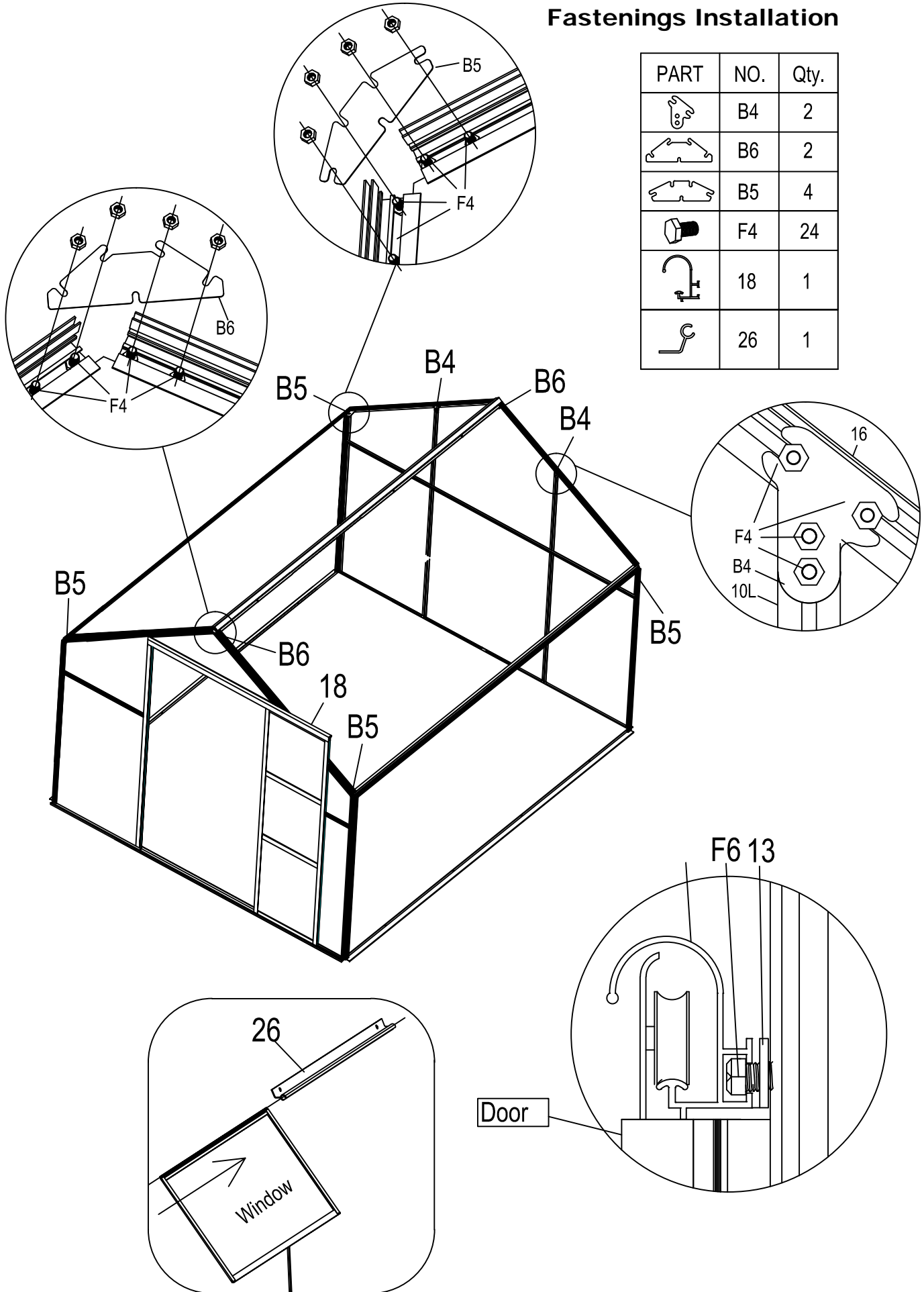
A. Install doorway corner braces where 13 and 16 meet using hex bolts.

B. Install roof crown 17 using F4 bolts previously inserted (see detail on next page)

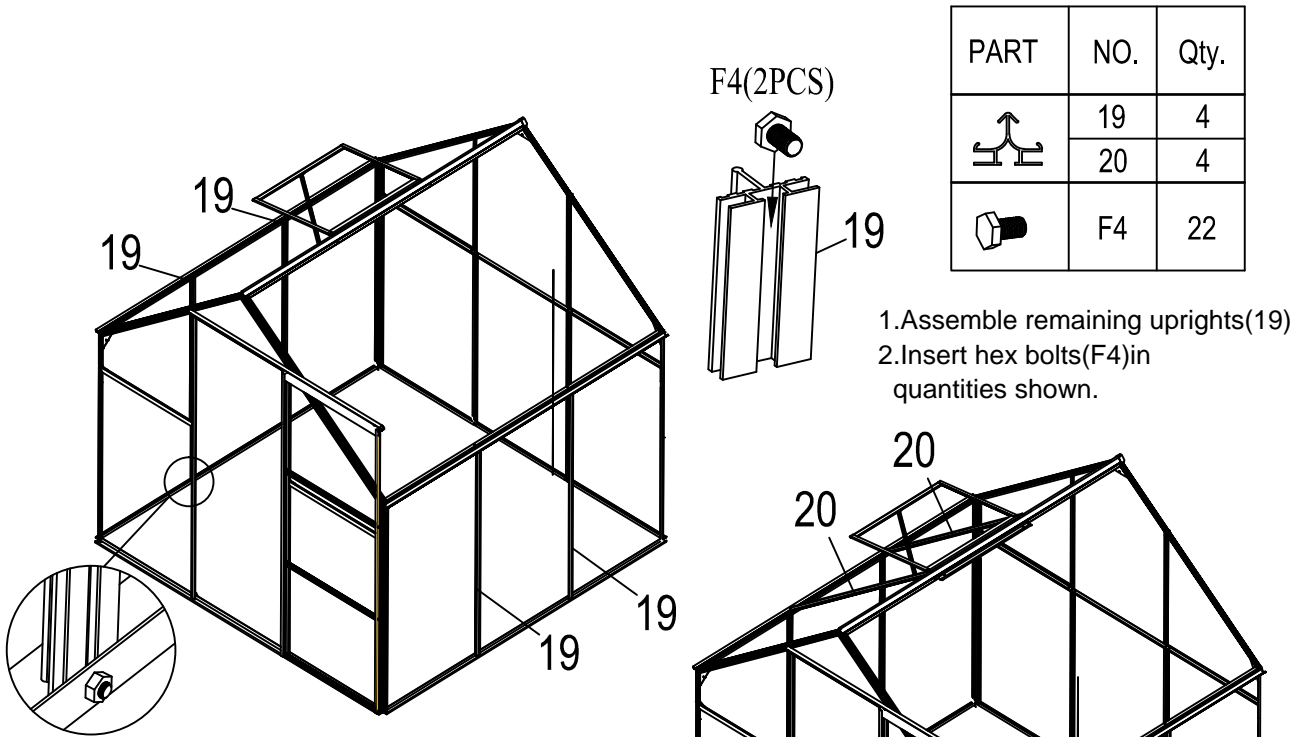


Fastenings Installation

PART	NO.	Qty.
	B4	2
	B6	2
	B5	4
	F4	24
	18	1
	26	1

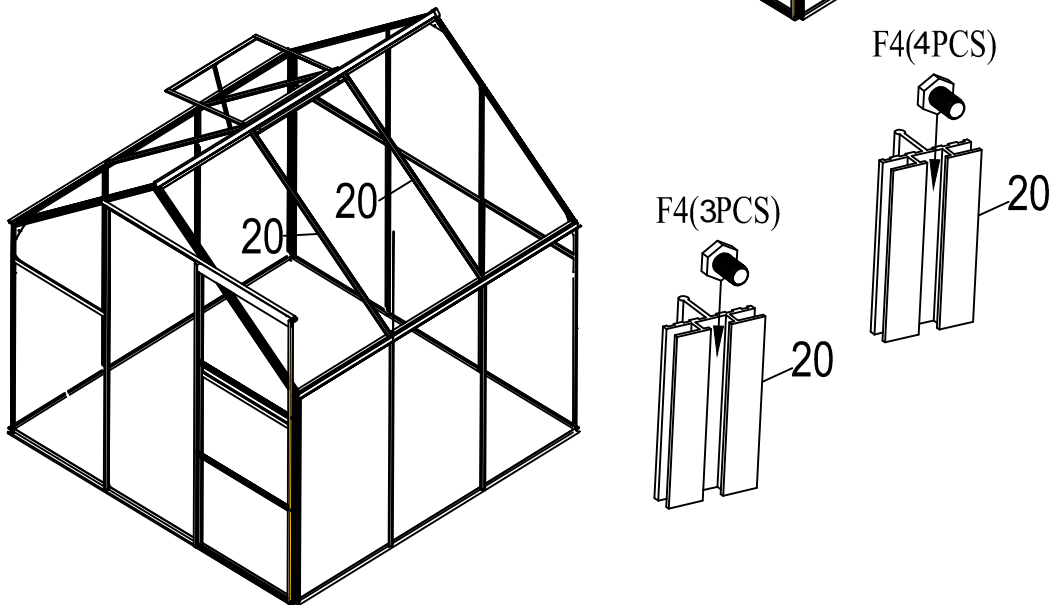


Screw Insertion Preparation

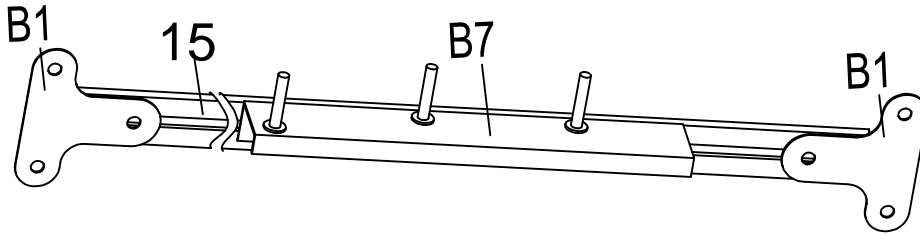


Remark:

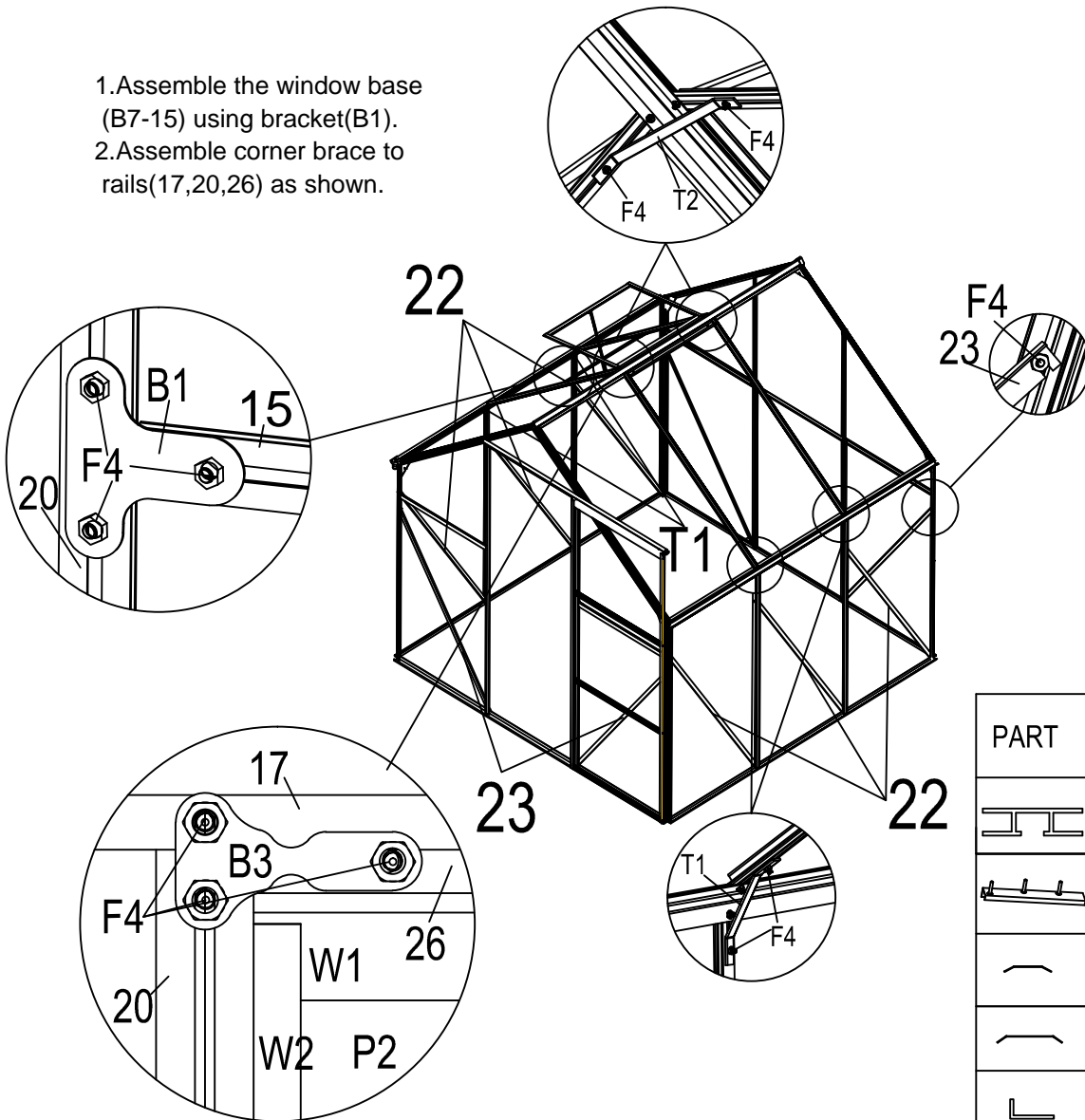
Please insert 4 screws in the two 20 profiles beside the window and insert 3 screws in other 20 profiles.



Fastenings and Reinforcing Ribs Installation



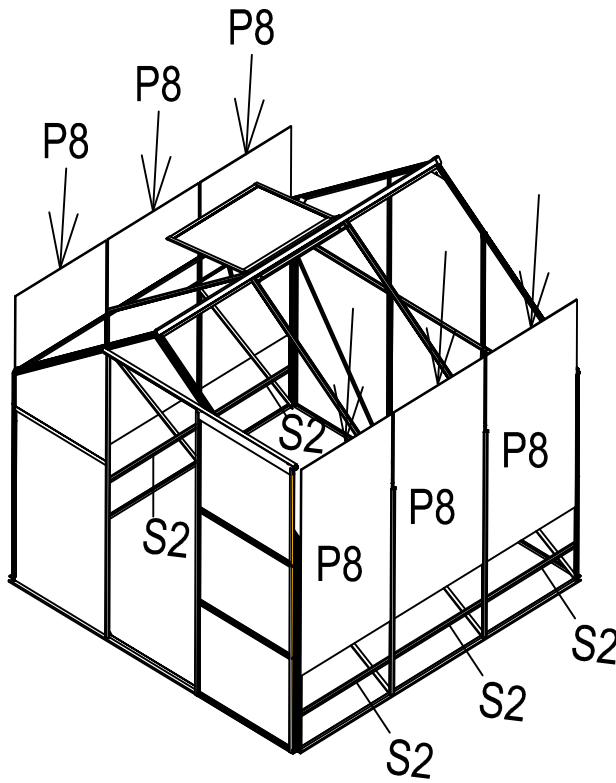
1. Assemble the window base (B7-15) using bracket (B1).
2. Assemble corner brace to rails (17,20,26) as shown.




1. Assemble the six cross braces (22) and four corner braces (23) as shown using the pre-inserted hex bolt (F4).

PART	NO.	Qty.
	15	1
	B7	1
	T1	4
	T2	2
	22	6
	23	4
	B1	2
	B3	2
	F4	6

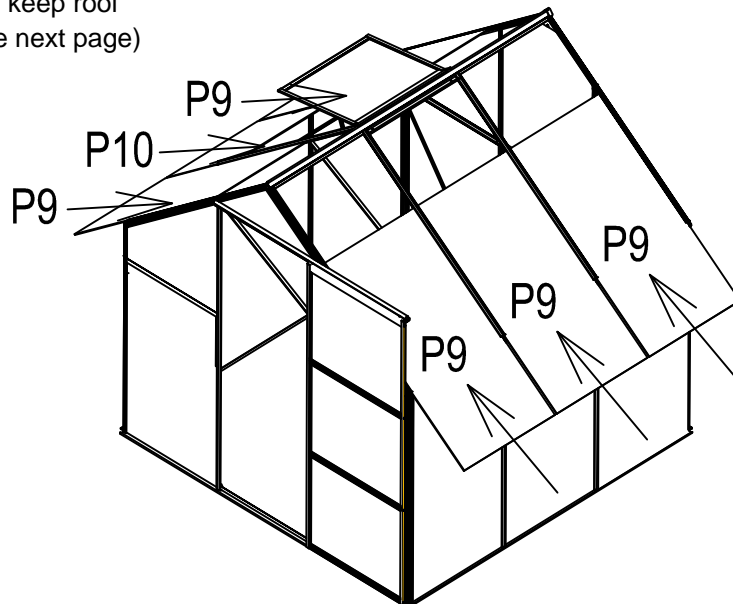
Side and Roof Panels Installation



PART	NO.	Qty.
	S2	6

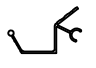





1. Insert six P8 panels into S2 at the base.

1. Insert all roof panels (P9,P10).
2. Install gutter(25) to keep roof panels in place (see next page)

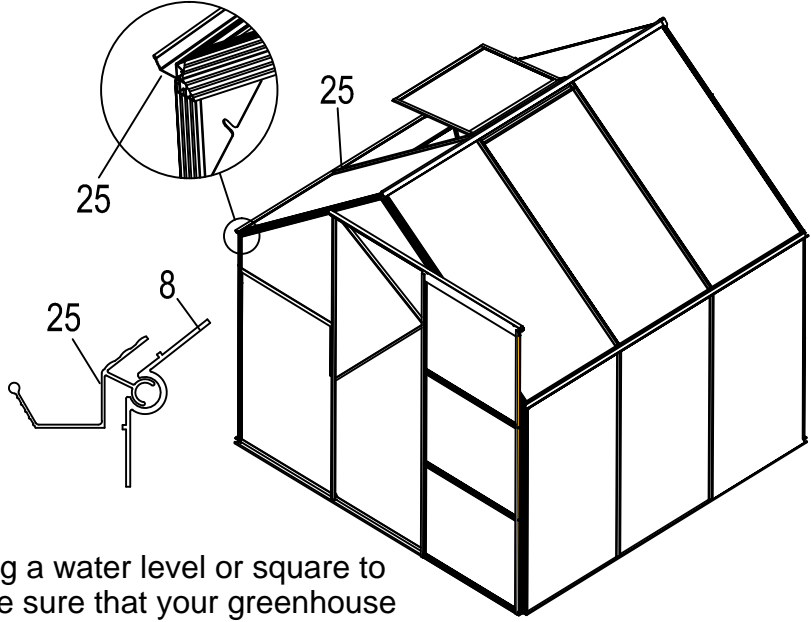


Drain Profiles, Water Outlet and End Caps Assembly

Finishing / Trimming

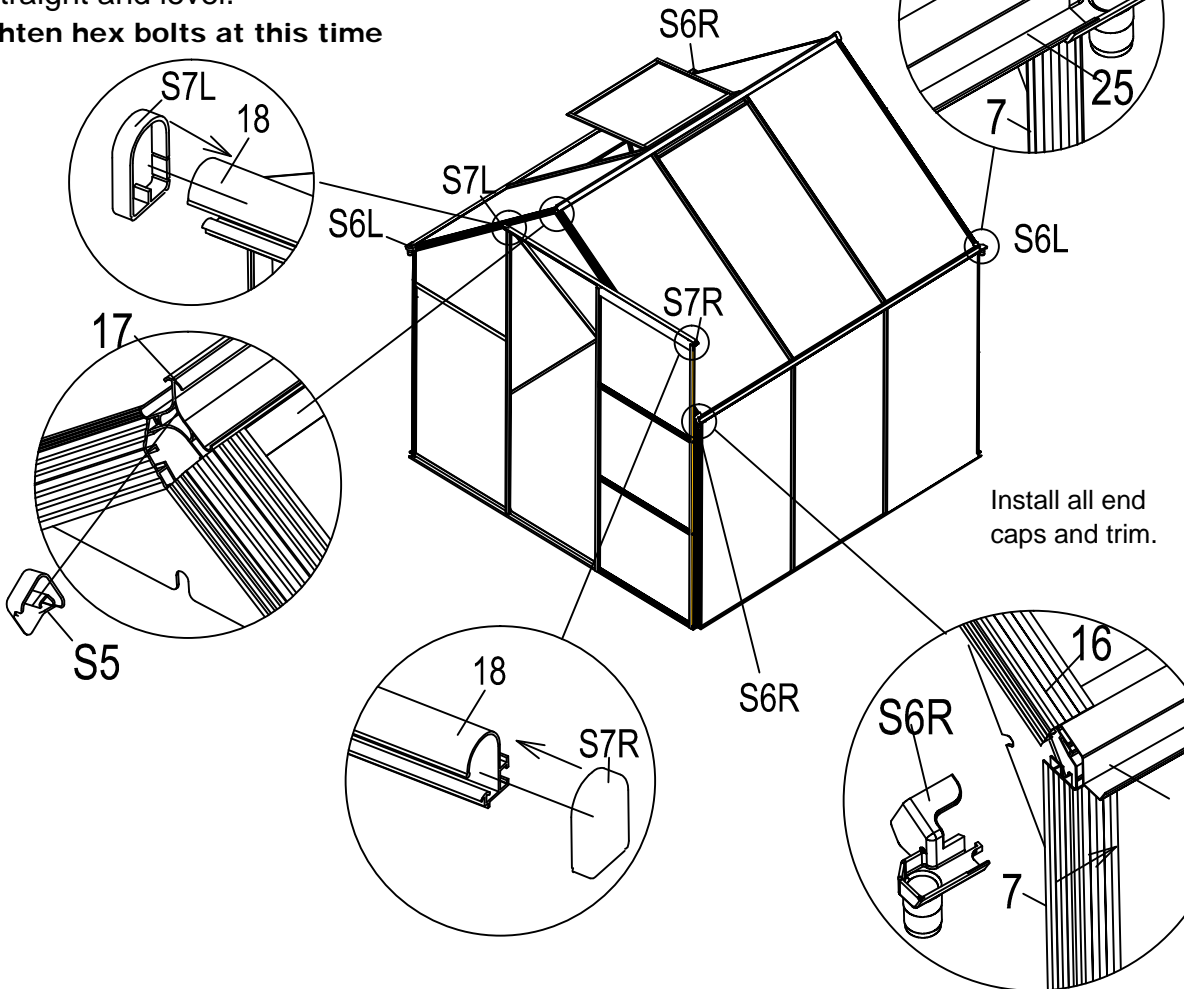
PART	NO.	Qty.
	25	2
	S5	2
	S6L	2
	S6R	2
	S7L	1
	S7R	1

Insert two gutters (25)



Using a water level or square to make sure that your greenhouse is straight and level.

Tighten hex bolts at this time

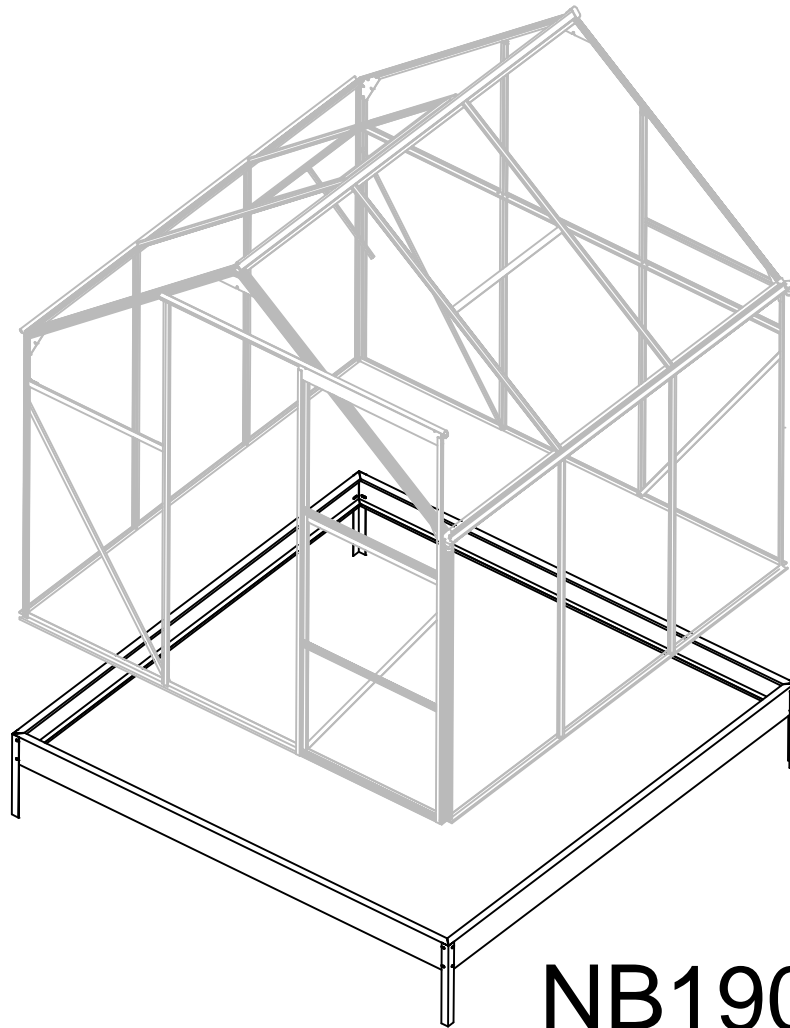


Install all end caps and trim.

25

Greenhouse

Assembly Instructions



NB190

IMPORTANT

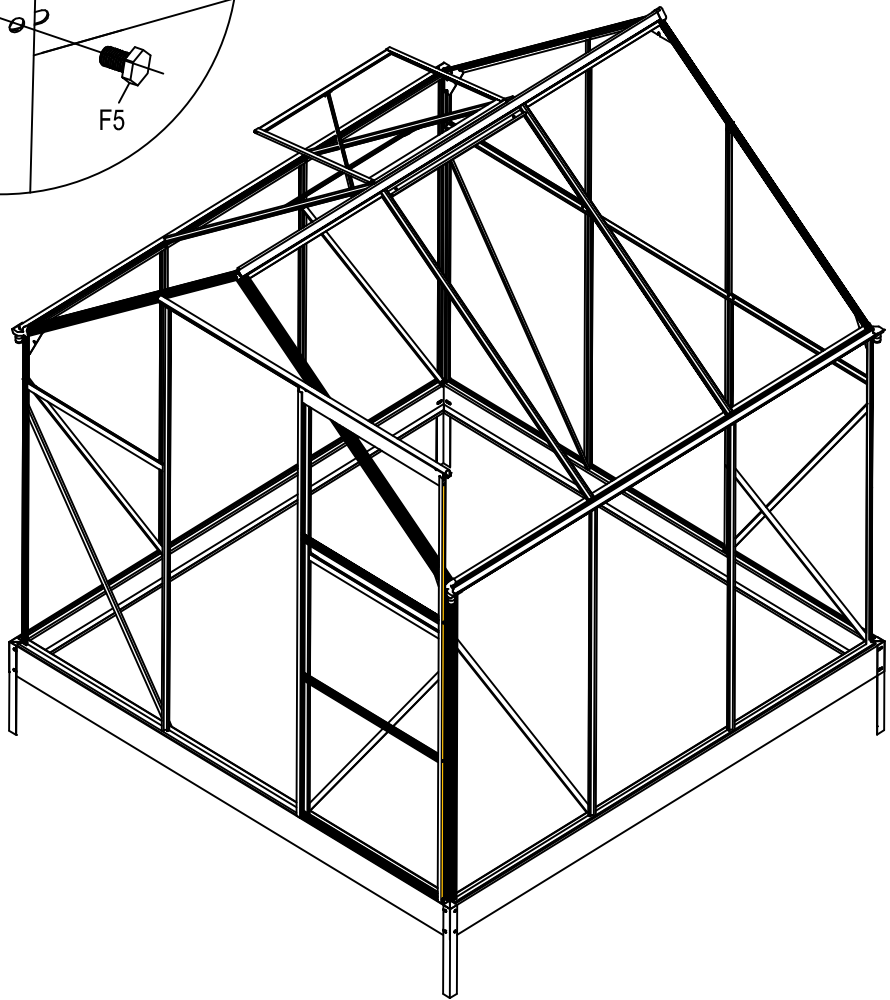
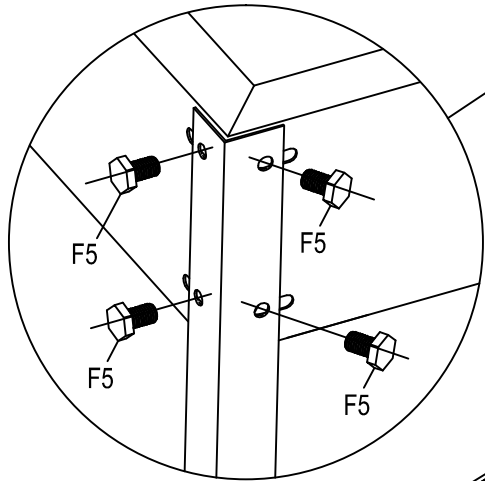
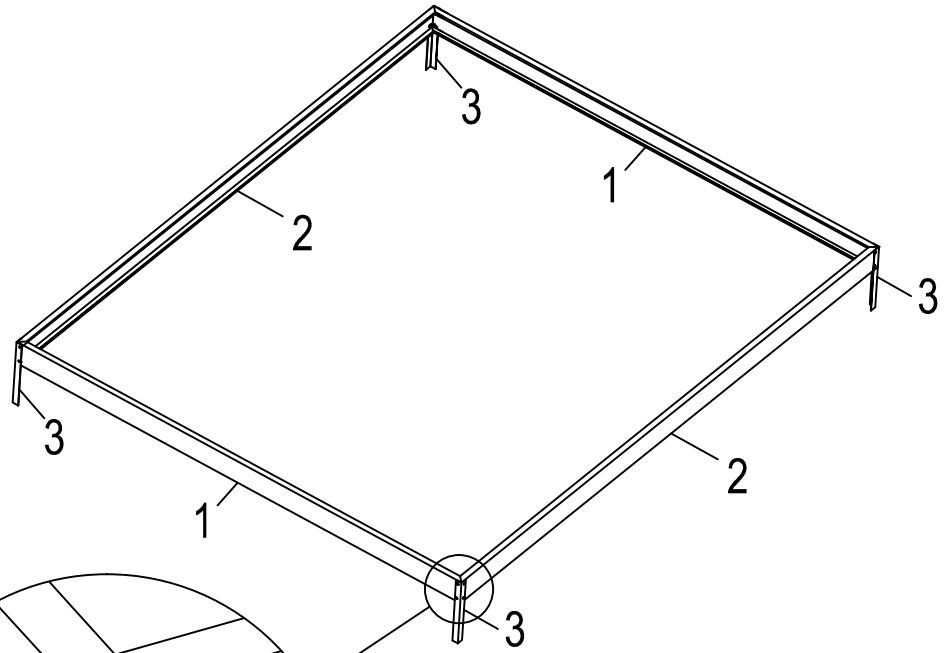
You must read these instructions carefully before you start to assemble this greenhouse.

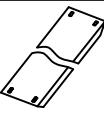


Please ensure that you find all parts in the carton box in the correct type and quantity as mentioned in the list illustrated in every page accordingly.

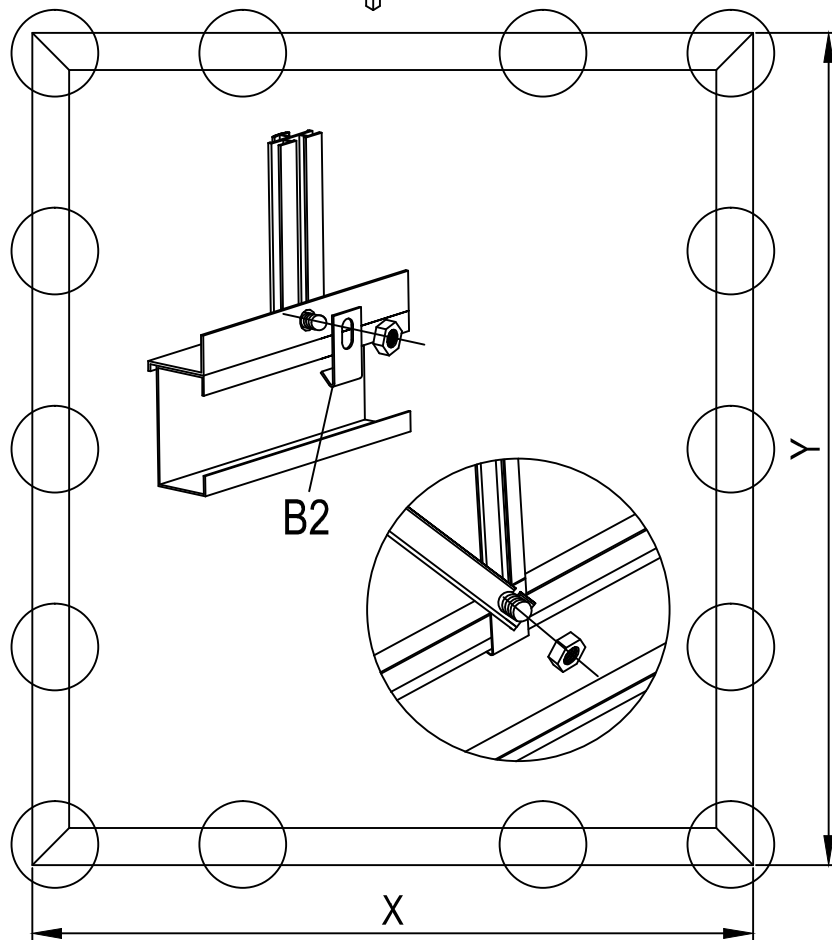
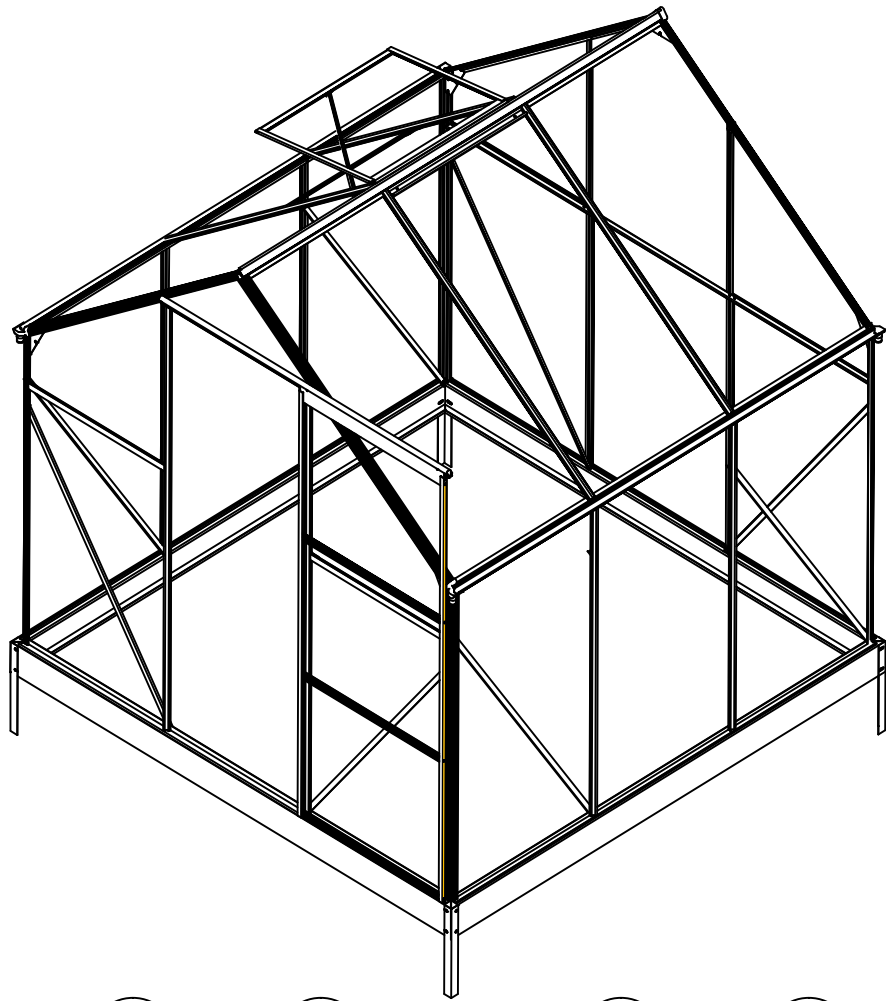
Please carry out the steps in the order set out in these instructions.


Do not tighten the steps in the greenhouse until completing on the assembly of the polycarbonate panels.

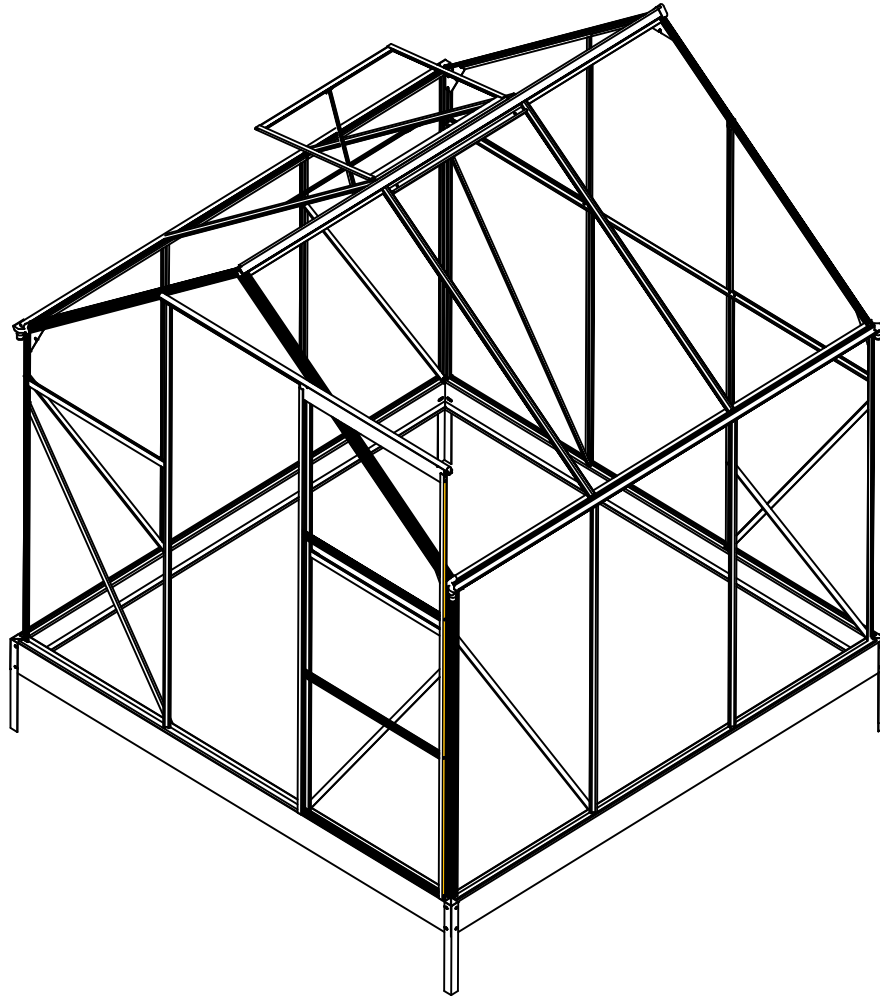
Keep these instructions in a safe place for future reference.



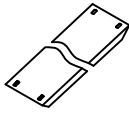



PART	NO.	Qty.
	1	2
	2	2
	3	4
	F5	16



PART	NO.	Qty.
	B2	18



PARTS LIST

PART	NO.	Qty.
	1	2
	2	2
	3	4
	F5	16
	B2	16

Maintenance:

1. If the ground is not level, the unit may tilt to one side. If you find this is the case, please fix it immediately to avoid damage.
2. Please prevent adding any increased weight to the product.
3. Avoid any vine/climbing plants, fruits, or vegetables from growing on the greenhouse walls, which will compromise the structure and durability of the product.
4. If the structure is compromised, it can easily cause the frame to crack, break, or collapse.

PC Panel Maintenance:

1. When using the product, please do not use sharp objects on collision films to avoid cuts. Be careful not to have a sharp object touch the film as it may scratch.
2. If films rupture, you may use glue to repair or use transparent tape. Polyurethane adhesive is also available for repairs.
3. Clean films regularly to keep the light transmittance as clear as possible.
4. The boards/panels have flame retardant polycarbonate material applied to them, but it is recommended to keep them away from fire to avoid softening or deformation.

Frame Maintenance:

1. The frames are made of aluminum alloy structure. If white spots or dirt are shown, please wipe with a wet cloth. White spots are normal in a wet/warm environment.
2. If there is any distortion with the calibration, please fix it immediately. Any distortion can cause the skylight to fall. Please refer to the instruction manual for repairs.
3. If any connection piece rusts, change out the screws to ensure the connection part is firm and stable.

Weather Protection:

1. **WARNING:** When there is lightning, do not stay in or under the product. The frames are constructed of aluminum alloy, which is conductive, and may cause serious damage.
2. When wind power reaches 40mph or above, you may need to set up defense equipment to secure the greenhouse walls. Use a strong rope or cable and connect to the four angles of the anchors with a block inserted into the soil or tied to a nearby tree at least 4 inches diameter. When the wind decreases, you can remove the ropes.
3. Clear any leaves on top of the greenhouse.
4. Remove any snow from the greenhouse during snowy months to prevent the roof or walls from collapsing.