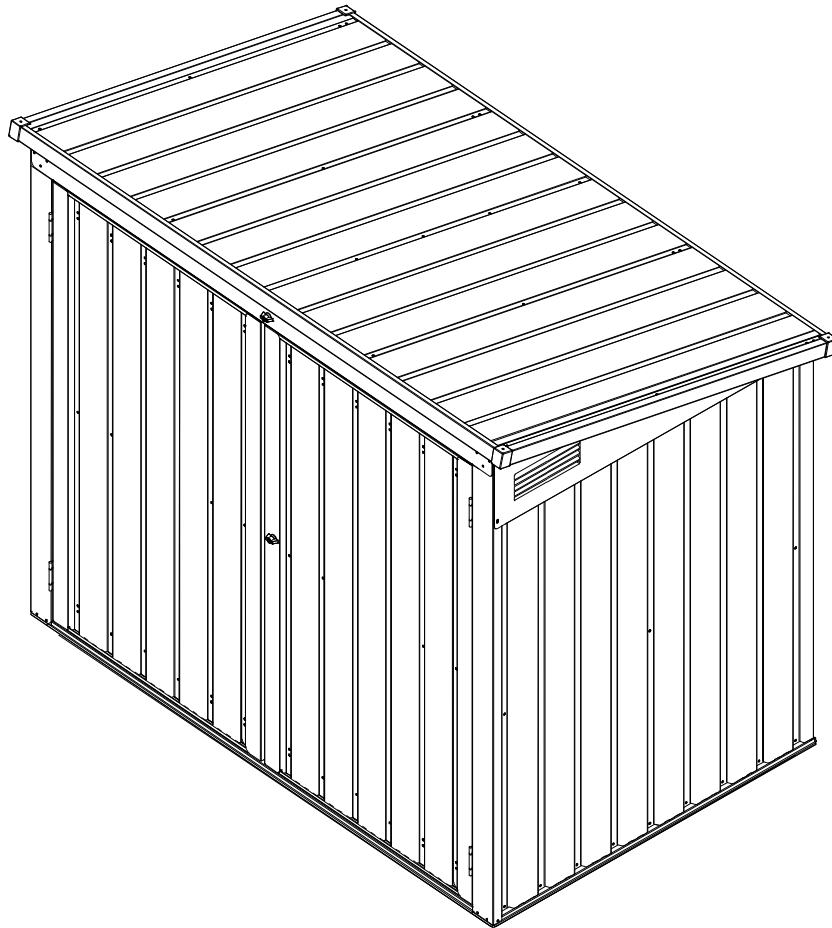


# METAL BIN STORE

## Instruction Manual

---



Size:L101 x W158 x H134 cm  
Size:L3.3 x W5.2 x H4.4 Feet

9820003-1  
9820003-2

Requires two people and takes 2-3 hours for Installation.

Quick & Easy Assembly

Ridge Reinforced Walls

# BEFORE YOU START

---

## Owner's Manual

Prior to installation, it is important that you contact your local government authority to determine if building approval is required. Study and understand this owner's manual. Important information and helpful tips will make your construction easier and more enjoyable.

## Assembly instructions

Instructions are supplied in this manual and contain all appropriate information for your building model. Review all instructions before you begin. During assembly, follow the step sequence carefully for correct results. Please be aware: **this unit takes two people about one full day to complete.**

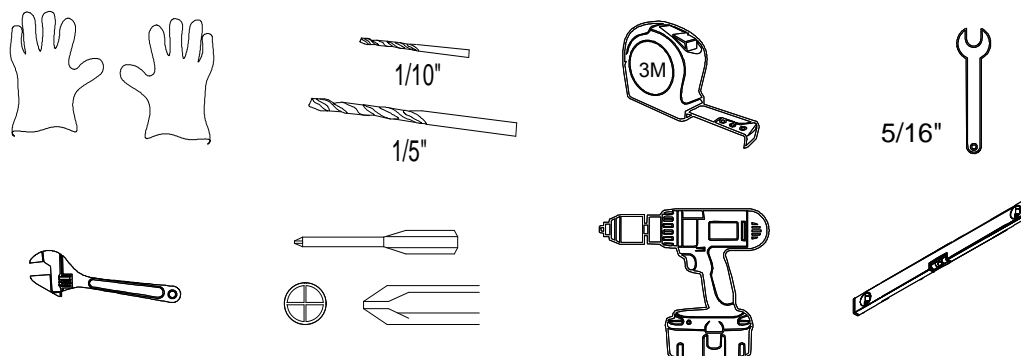
## Parts

Check to be sure that you have all the necessary parts for the building. Separate contents of the carton by the part number while reviewing parts list. Familiarize yourself with the hardware and fasteners for easier use during construction. These are packaged within the carton. Note that extra fasteners have been supplied for your convenience.

---

## TOOLS MAY REQUIRED

---

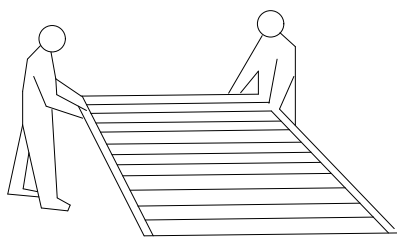


**Use heavy duty gloves when handling steel sheets and flashing**

---

## PLAN AHEAD

---



### Watch the weather:

Please be sure the day you select for installation is dry and calm.

**DO NOT attempt to assemble your shed in windy weather** because of risk of damage to panels, or personal injury. Be careful of wet or muddy ground.

### Teamwork:

Whenever possible, two or more people should work together to assemble the building. One person can position parts or panels while the other is able to handle the fasteners and the tools.

# PLAN AHEAD

---

## Site Selection

- Avoid overhanging trees as much as possible as leaves will make regular cleaning necessary and broken branches are a potential hazard.
- Small trees, bushes or fences nearby can be helpful, acting as a wind break.

## Site Preparation

The site must be prepared so that the base of the shed is level all round and checking with a spirit level is required.

The base can be constructed by treated timber or concrete, in order to stop the moisture getting into the shed. **The shed is not designed to be built onto lawn directly.** Also the ground will get muddy during rainy days.

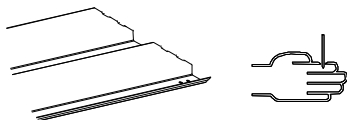
If a concrete pad is made, it is important that this slopes towards the edges to prevent water ingress.

Time must be allowed for any concrete or cement to dry before building the shed on top.

Bases can also be constructed from bricks, blocks, or mounted on a concrete pad.

The bricks or blocks should be cemented onto firm and level concrete footings and the greenhouse frame drilled and screwed to the base.

## sharp edges


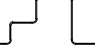

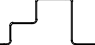


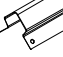



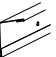









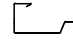
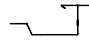
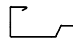
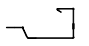
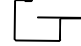
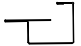
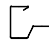
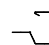




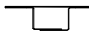
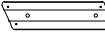
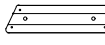

Pay attention to the sharp edges. Please wear work gloves, long sleeves and eye glasses, when assembling or performing.

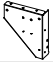

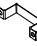






## IMPORTANT NOTES:

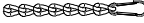






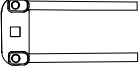
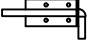





---

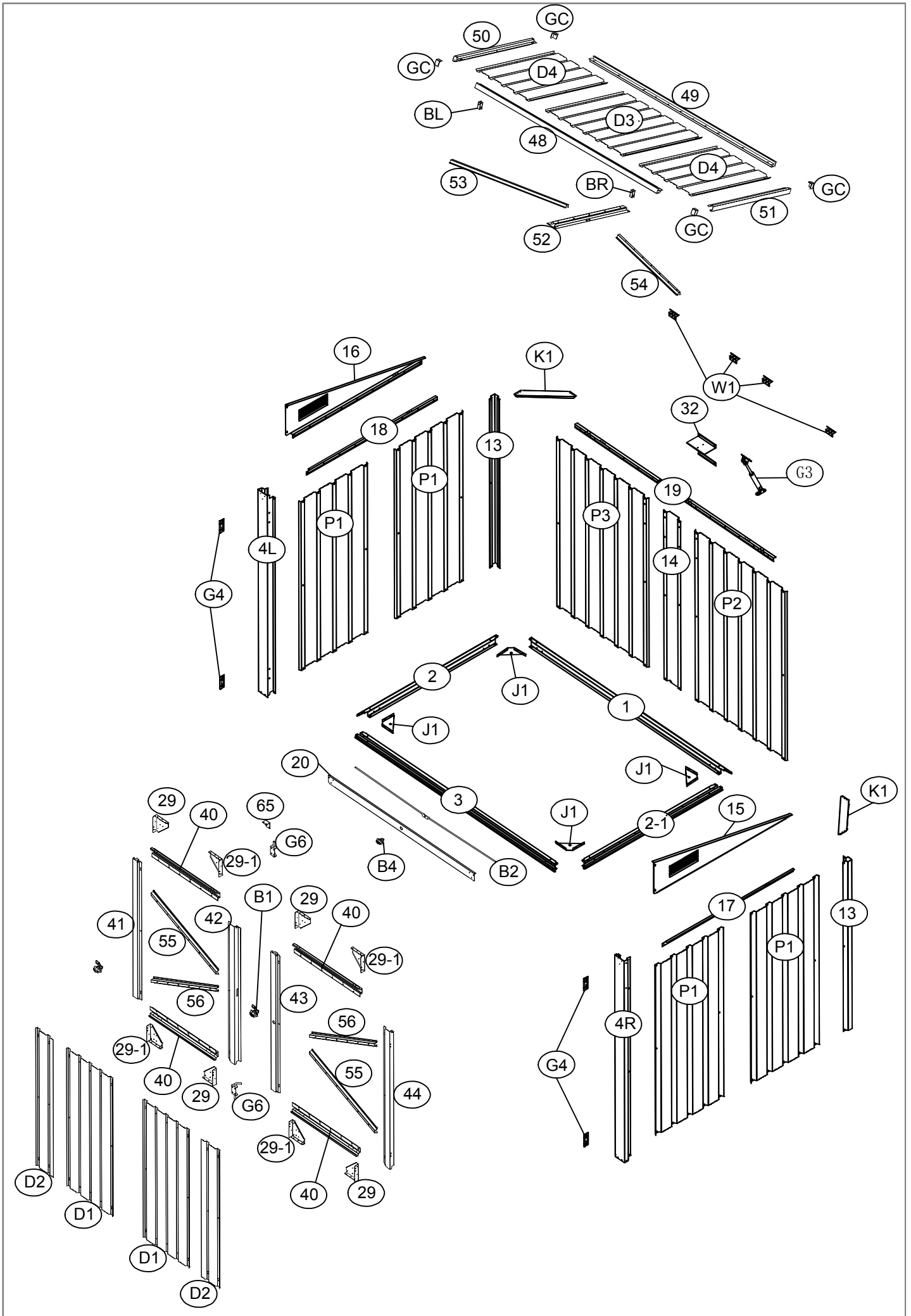
- Find someone to help you: it is much easier with someone to hold parts, pass tools ect. Also some steps require two people to lift structures together. This is not very heavy work so would suit most able-bodied people.
- Allow plenty of time: rushing often causes errors and the re-doing of incorrect assemblies. If you have never built a shed before, it can take most of a day to carefully complete the construction.
- Have the right tools to hand.
- Safety clothing as recommended in the 'Tools' section.
- Ideally lay out the parts and check that all are present before commencing construction. Lay on cloths or plastic sheets if there is any risk of scratching the parts.
- Tighten all nuts carefully, being sure not to miss any. Check the frame is square and using a spirit level to check that it is upright.

NO.	PART	Qty.
1	 1479mm/58.2"	1
2	 944mm/39.13"	1
2-1	 944mm/39.13"	1
3	 1479mm/58.2"	1
4L	 1290mm/50.8"	1
4R	 1290mm/50.8"	1
13	 1080mm/42.5"	2
14	 1090mm/42.9"	1
15	 1	1
16	 1	1
17	 890mm/35"	1
18	 890mm/35"	1
19	 1469mm/57.8"	1
20	 1476mm/58.1"	1
P1	 1080mm/42.5"	4
P2	 1080mm/42.5"	1
P3	 1080mm/42.5"	1

NO.	PART	Qty.
40	 664mm/26.1"	4
41	 1203mm/47.3"	1
42	 1203mm/47.3"	1
43	 1203mm/47.3"	1
44	 1203mm/47.3"	1
48	 1568mm/61.7"	1
49	 1568mm/61.7"	1
50	 998mm/39.3"	1
51	 998mm/39.3"	1
D1	 1202mm/47.3"	2
D2	 1202mm/47.3"	2
D3	 997mm/39.2"	1
D4	 997mm/39.2"	2
52	 948mm/37.3"	1
53	 857mm/33.7"	1
54	 857mm/33.7"	1
K1	 2	2

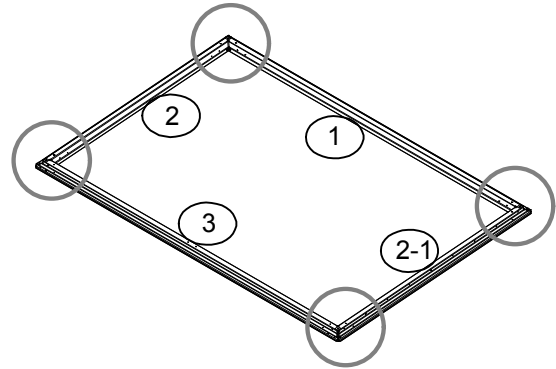
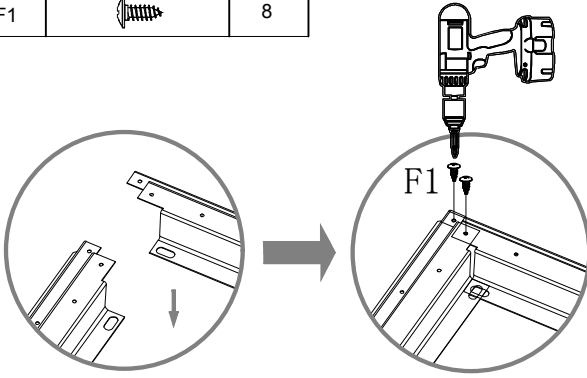
NO.	PART	Qty.
29		4
29-1		4
65		1
32		1
J1		4
BL		1
BR		1
55	 744mm/29.3"	2
56	 744mm/29.3"	2

NO.	PART	Qty.
K2	 500mm/19.7"	2
G4		4
W1		4
G3	 235mm/9.25"	1
GC		4
B1		1
B4		1
B2		1
G6		2
F1	 #8AB-18x 2/13	310
F2	 #8-32 x 2/13	38
F3	 #8-32 x 2/13	18
S2		100
S3		180



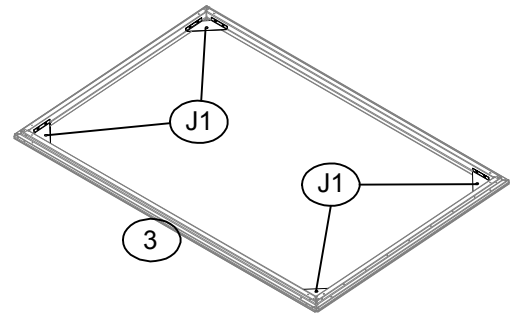
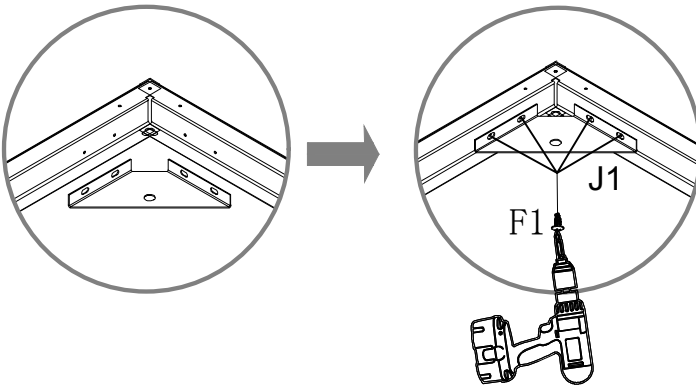
NO.	PART	Qty.	NO.	PART	Qty.
1		1	2		1
3		1	2-1		1
F1		8			

### Base Assembly



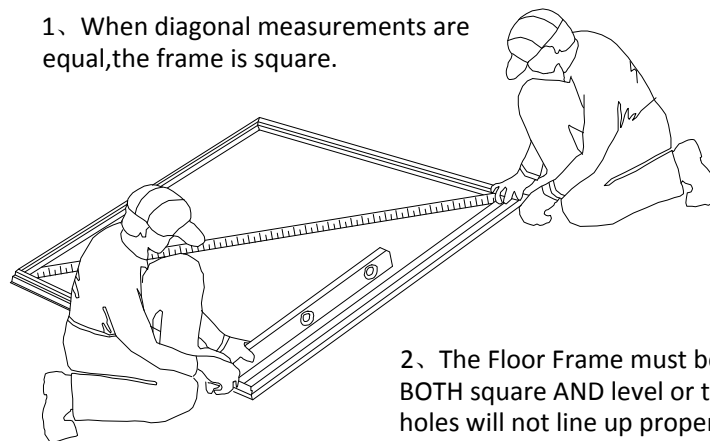
NO.	PART	Qty.
J1		4
F1		16

### Anchor Installation







1. When diagonal measurements are equal, the frame is square.

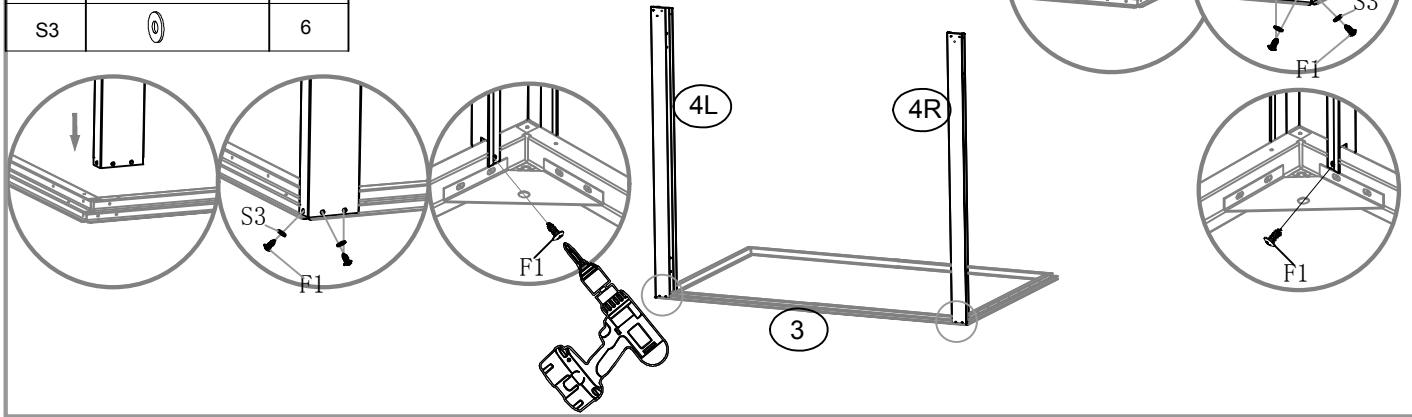
### Base Inspection

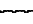





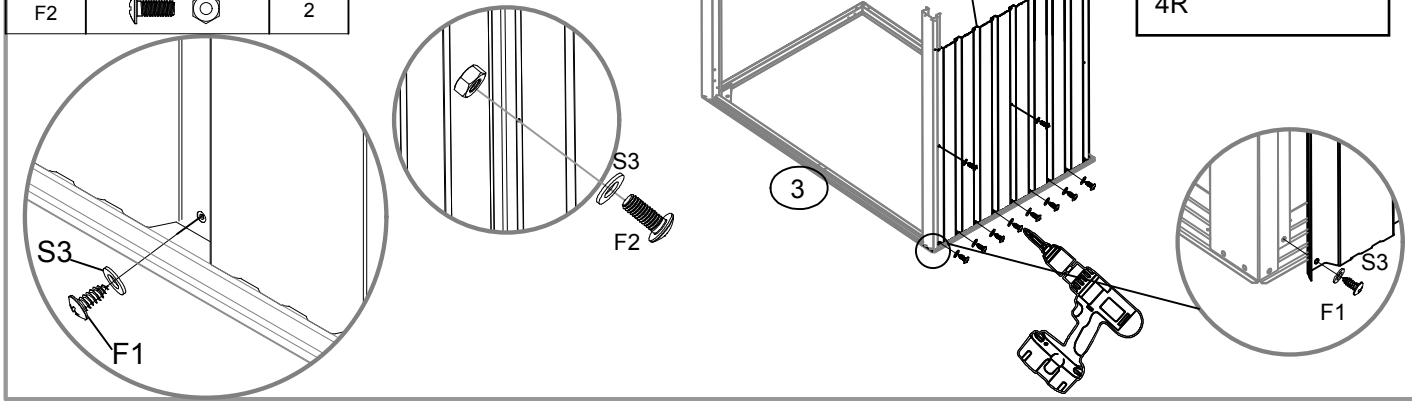
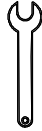
2. The Floor Frame must be BOTH square AND level or the holes will not line up properly.

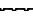


NO.	PART	Qty.
4L		1
4R		1
F1		8
S3		6

### Gate Post Assembly

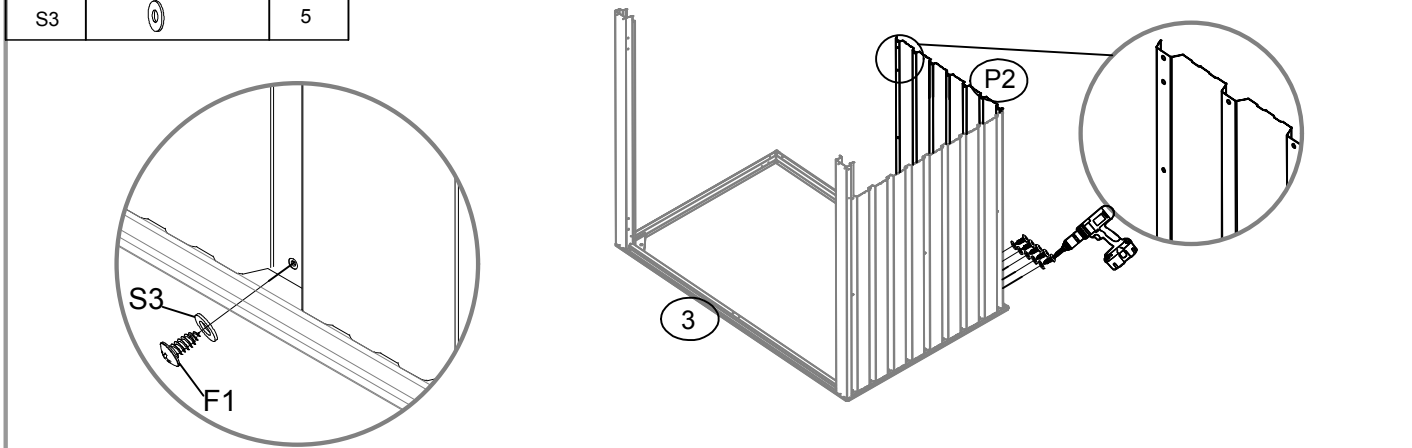


NO.	PART	Qty.
P1		2
F1		8
S3		10
F2		2







NO.	PART	Qty.
P2		1
F1		5
S3		5

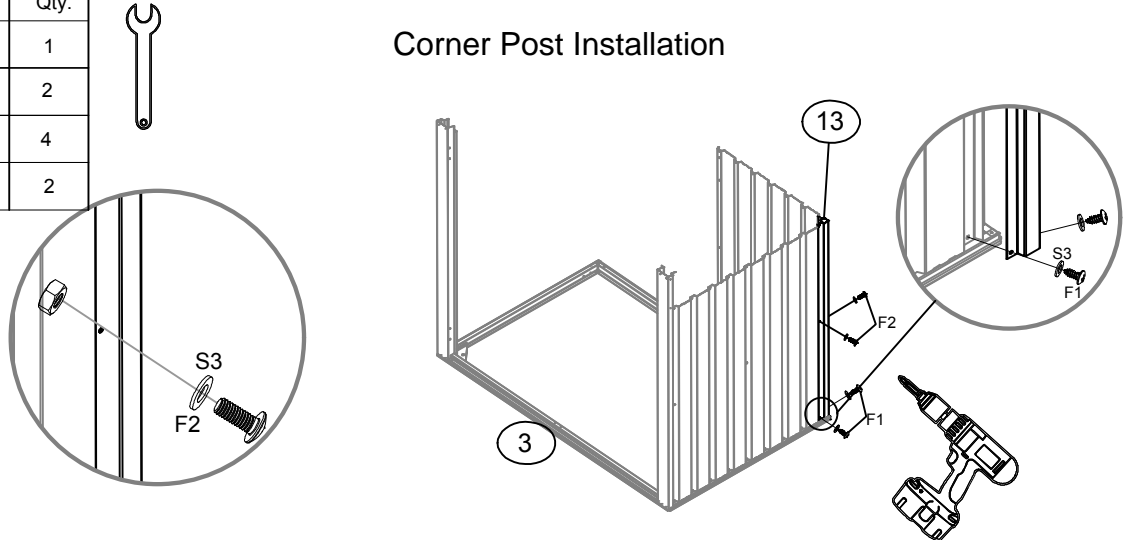
### Wall Panels Installation








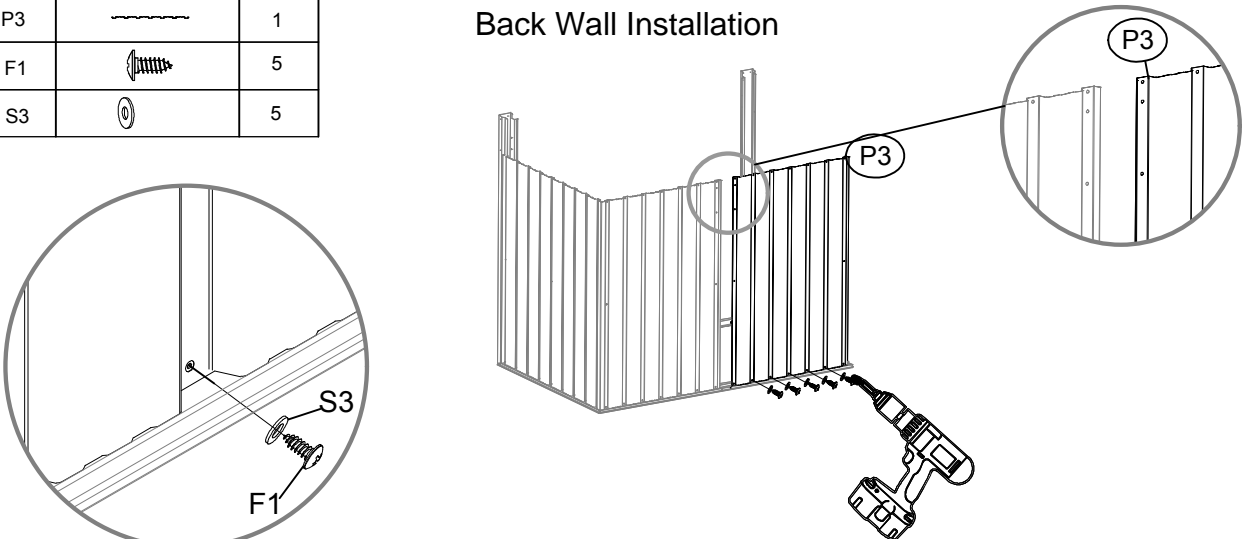
NO.	PART	Qty.
13		1
F1		2
S3		4
F2		2





**Corner Post Installation**



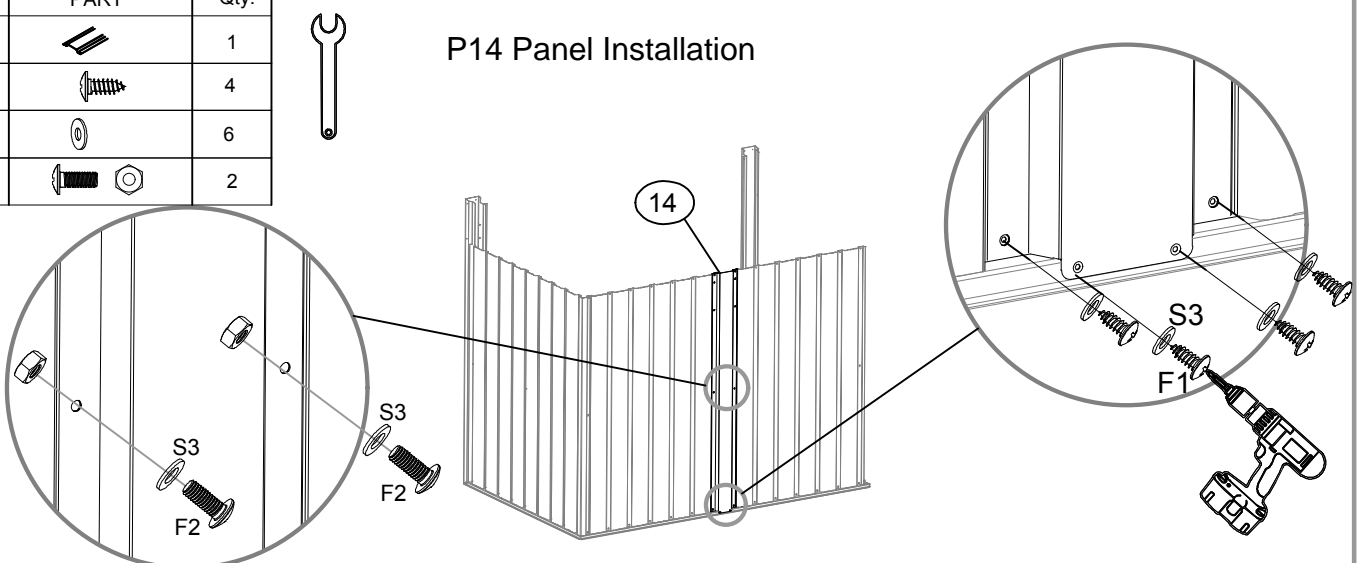
NO.	PART	Qty.
P3		1
F1		5
S3		5

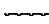



**Back Wall Installation**

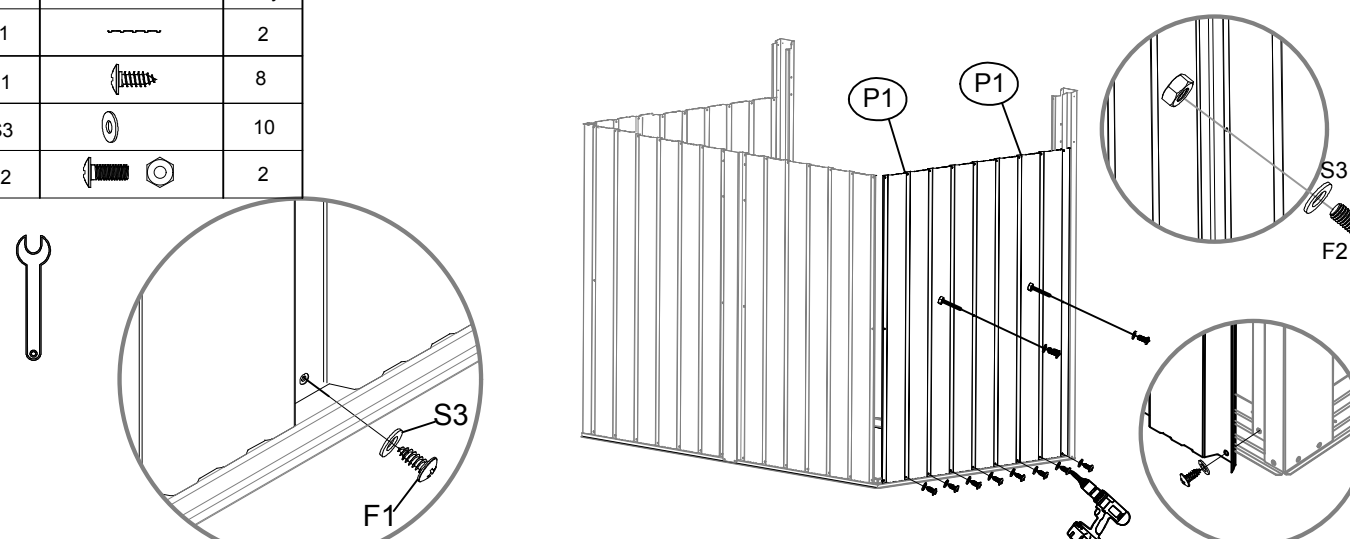






NO.	PART	Qty.
14		1
F1		4
S3		6
F2		2

**P14 Panel Installation**



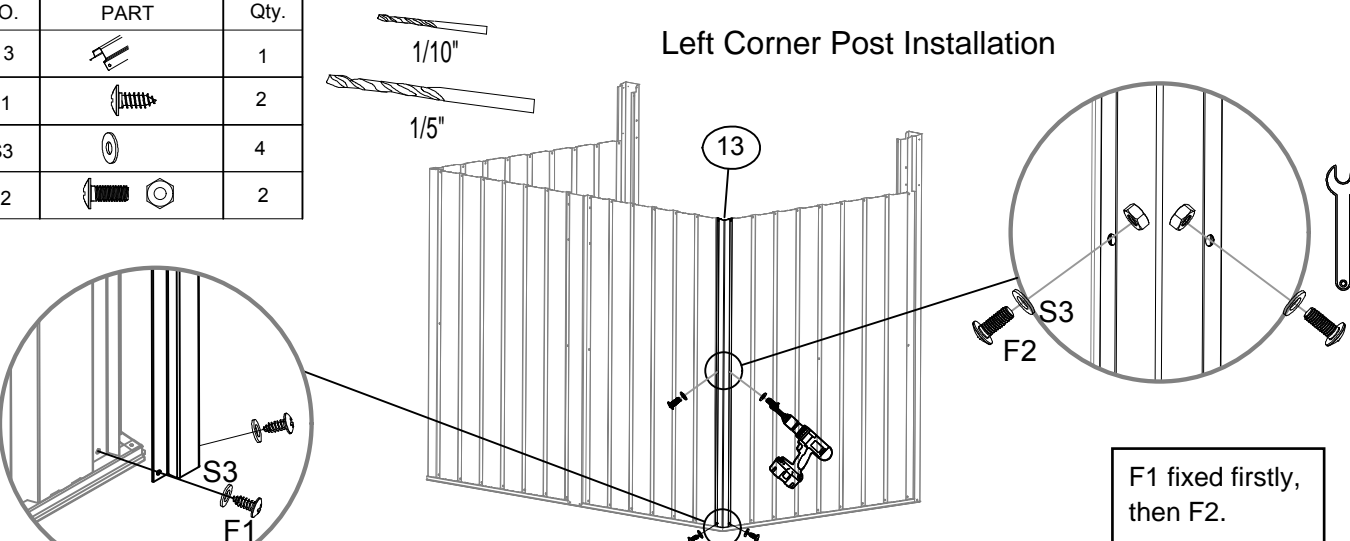
NO.	PART	Qty.
P1		2
F1		8
S3		10
F2		2






NO.	PART	Qty.
13		1
F1		2
S3		4
F2		2

**Left Corner Post Installation**

1/10"  
1/5"

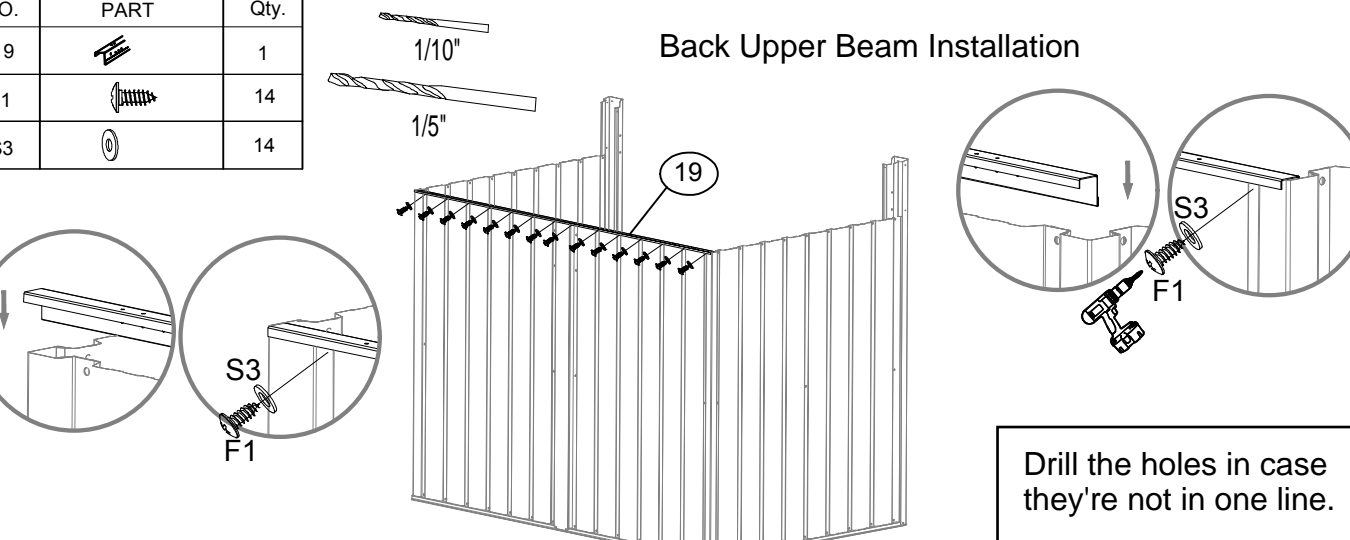


F1 fixed firstly, then F2.



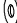
NO.	PART	Qty.
19		1
F1		14
S3		14

**Back Upper Beam Installation**

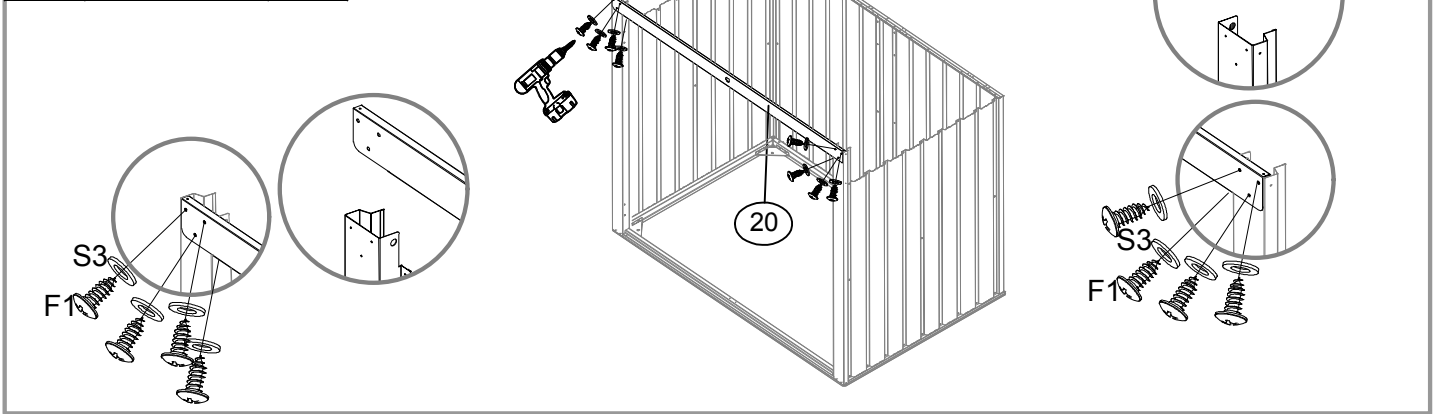
1/10"  
1/5"



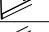
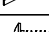




Drill the holes in case they're not in one line.

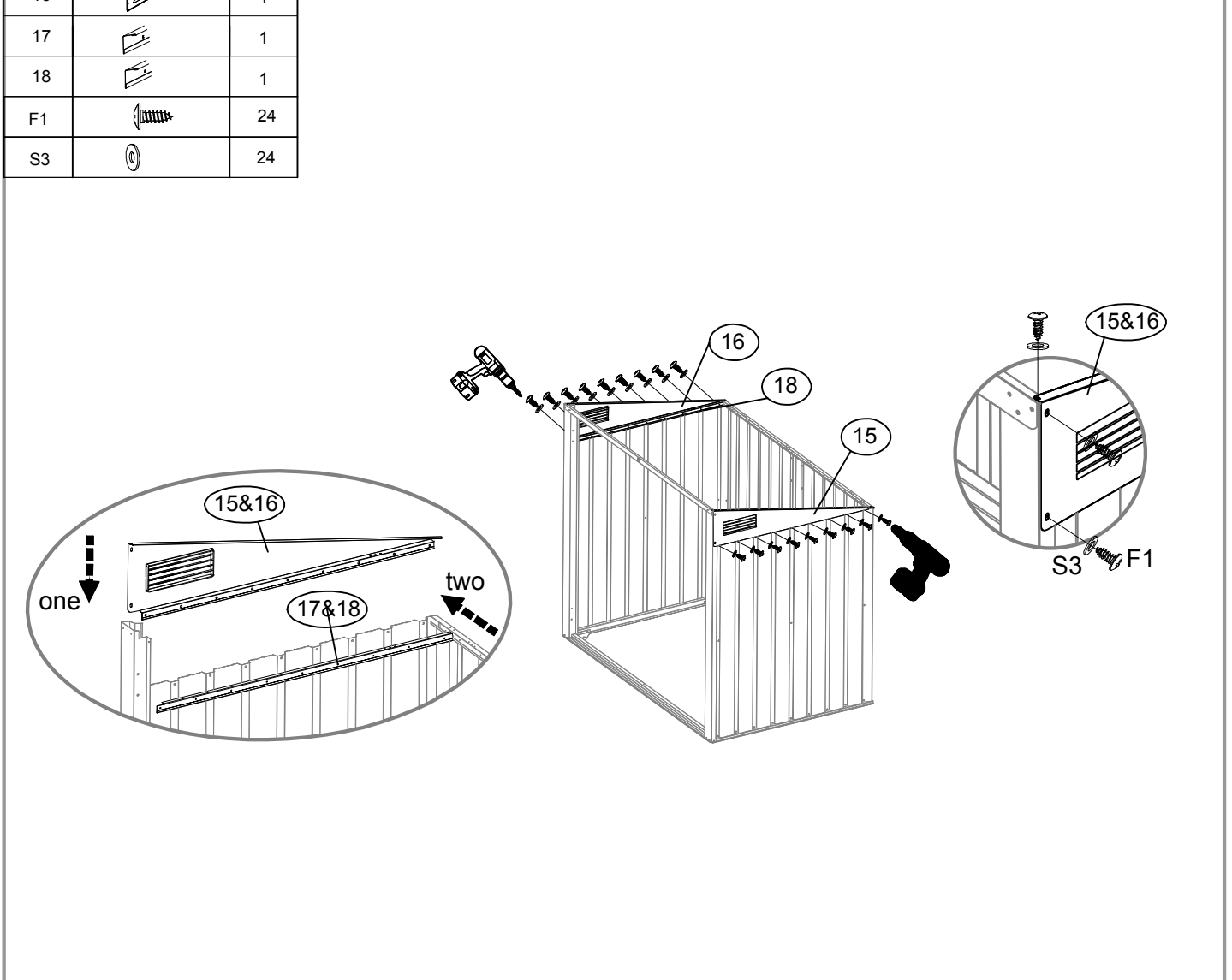
NO.	PART	Qty.
20		1
F1		8
S3		8




### Gate Beam Installation



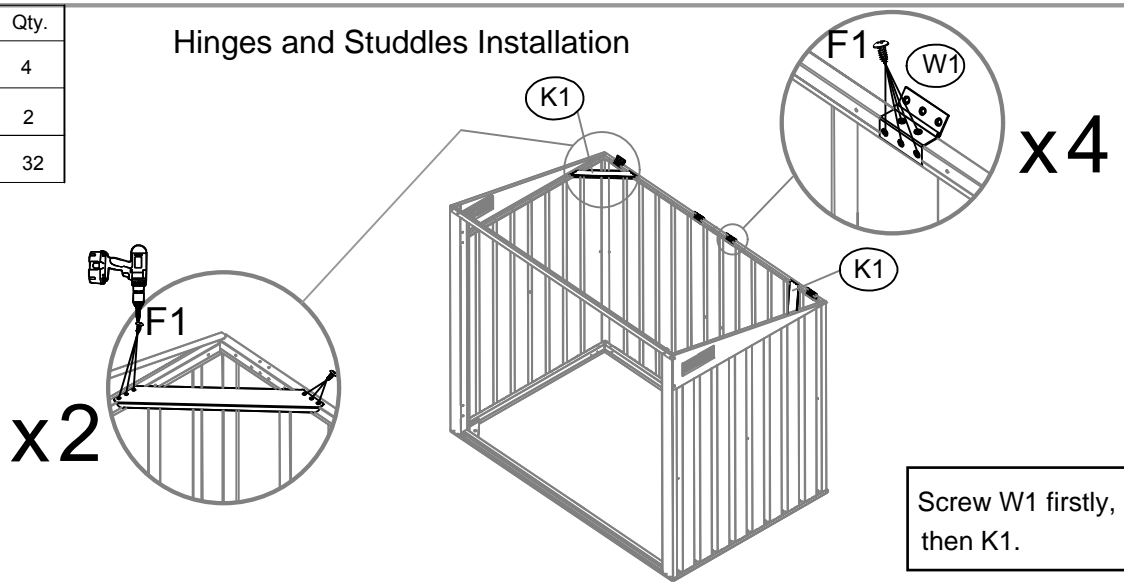
NO.	PART	Qty.
15		1
16		1
17		1
18		1
F1		24
S3		24


### Triangle Panels and Vents Installation



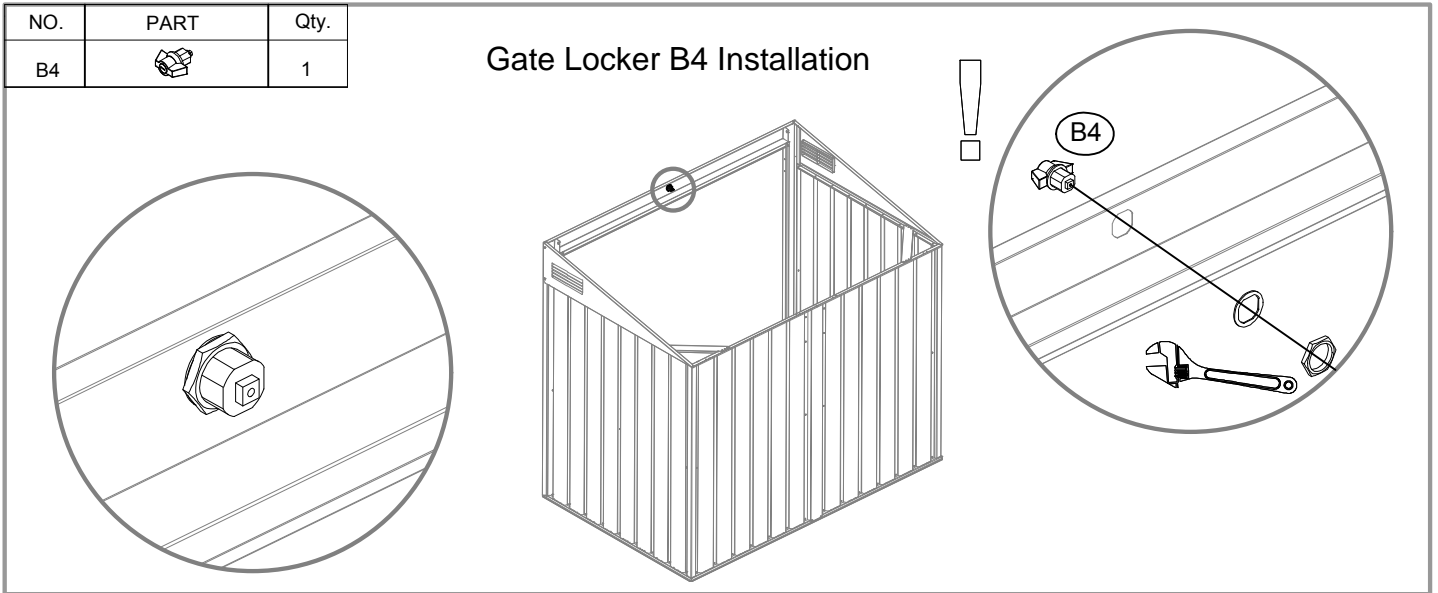
NO.	PART	Qty.
W1		4
K1		2
F1		32


### Hinges and Studdles Installation



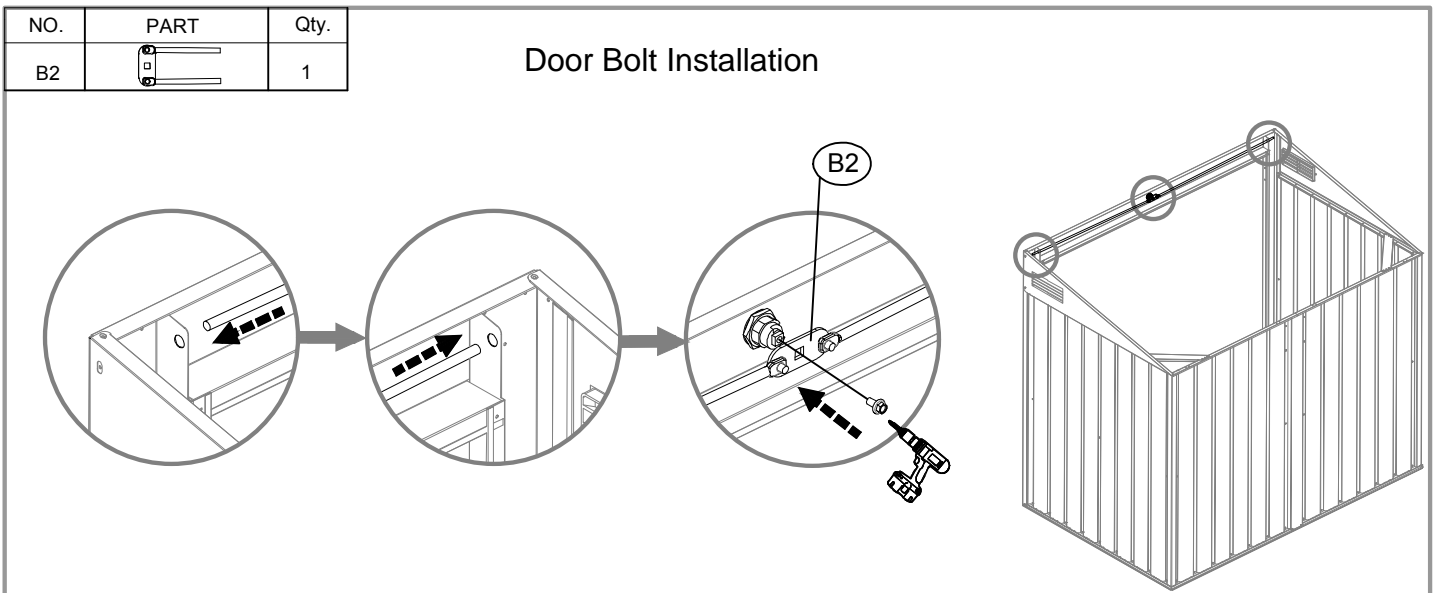
NO.	PART	Qty.
B4		1

### Gate Locker B4 Installation



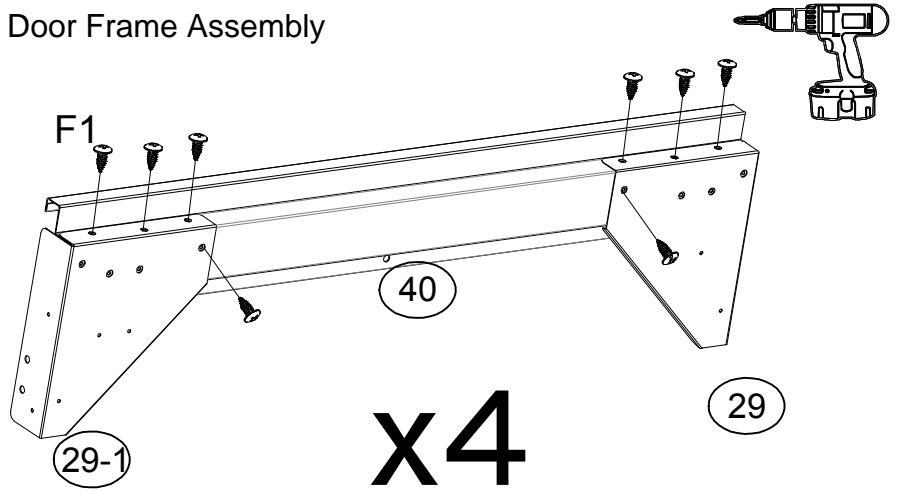
NO.	PART	Qty.
B2		1

### Door Bolt Installation



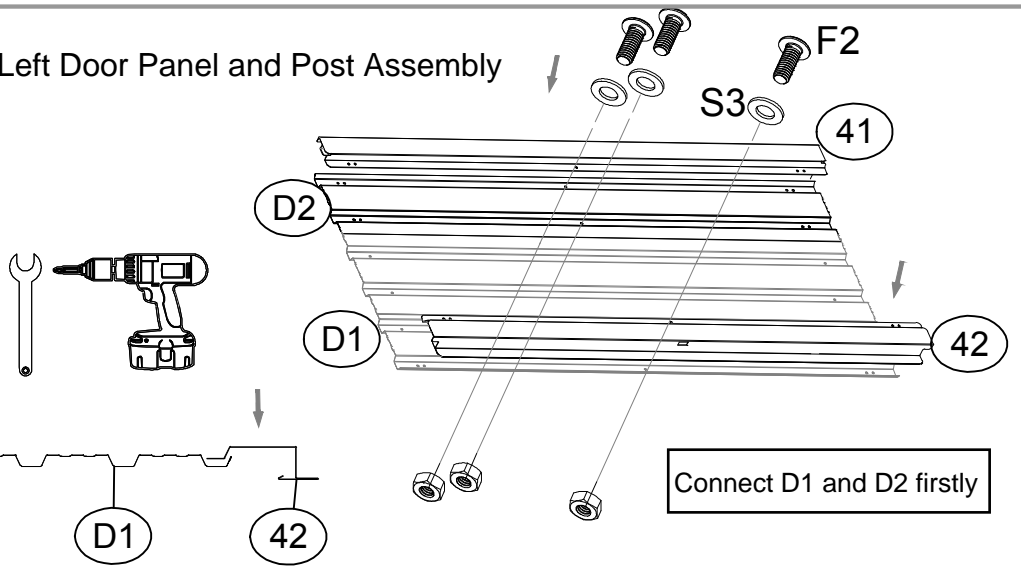
NO.	PART	Qty.
29		4
29-1		4
40		4
F1		32

### Left Door Frame Assembly



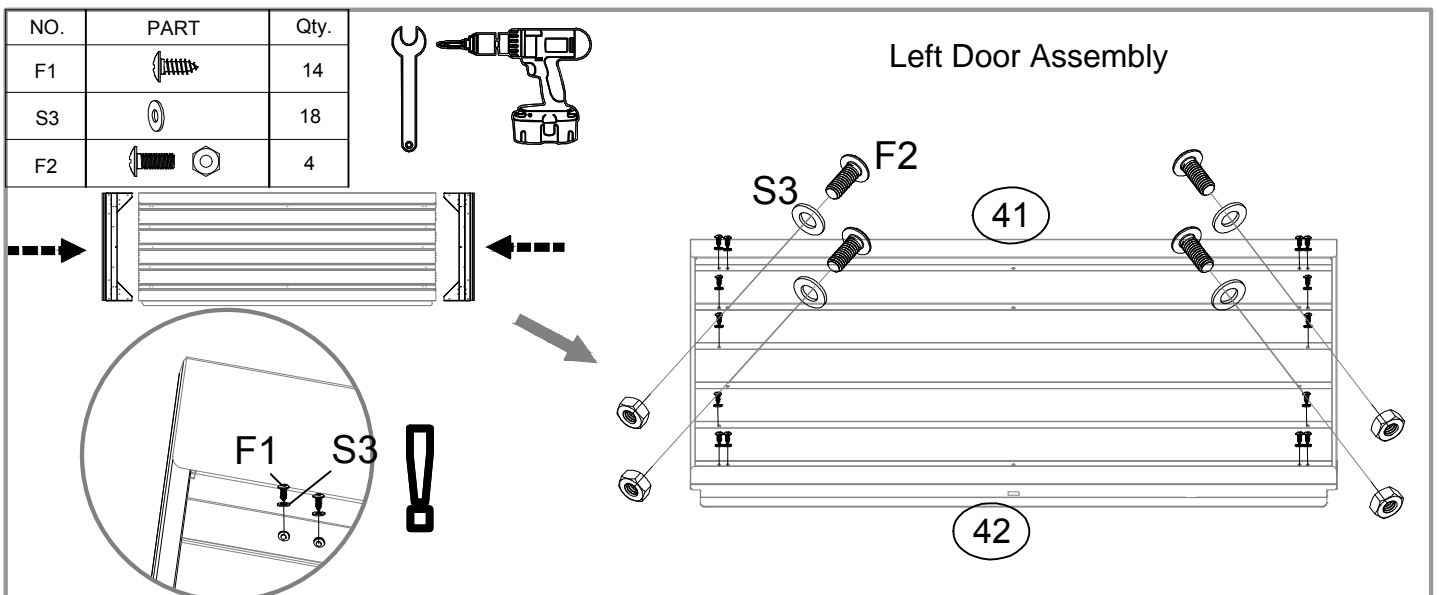
NO.	PART	Qty.
D1		1
D2		1
41		1
42		1
S3		3
F2		3

### Left Door Panel and Post Assembly



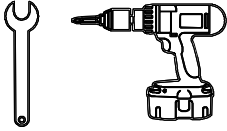
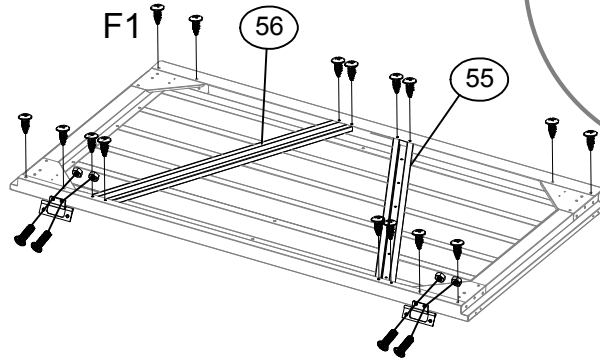
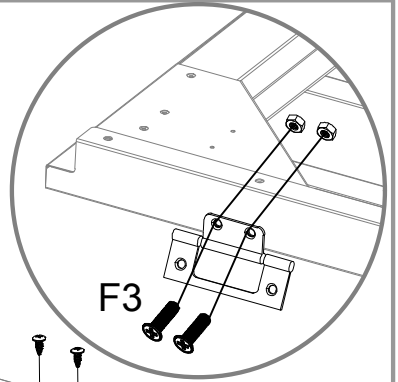
NO.	PART	Qty.
F1		14
S3		18
F2		4

### Left Door Assembly



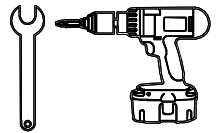
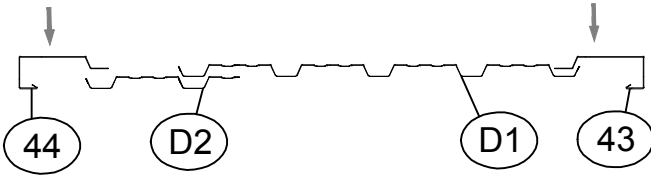
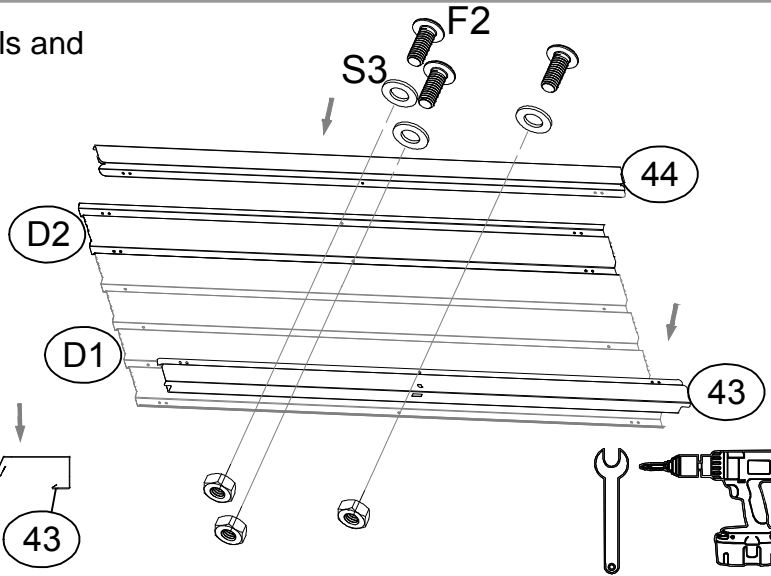
NO.	PART	Qty.
G4		2
55		1
56		1
F1		16
F3		4

### Hinges and Reinforcements Installation



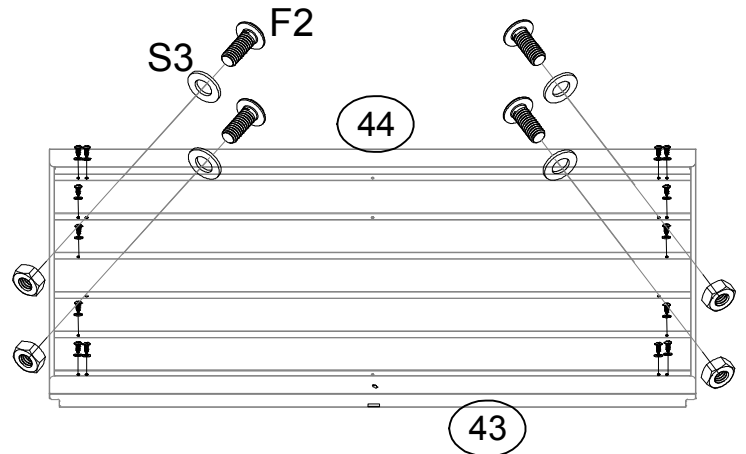
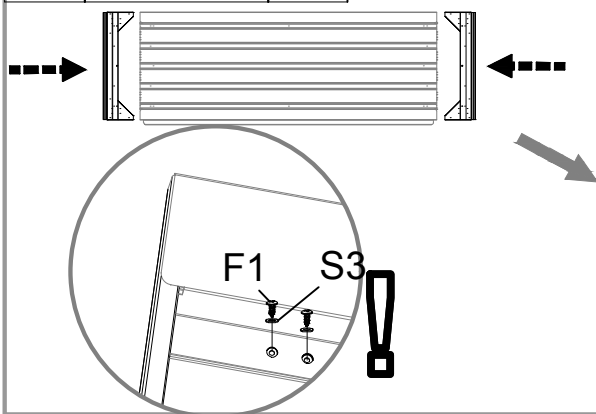
NO.	PART	Qty.
D1		1
D2		1
43		1
44		1
S3		3
F2		3


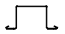
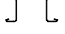


### Right Door Panels and Posts Assembly



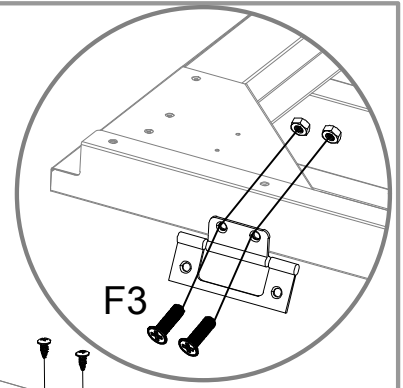
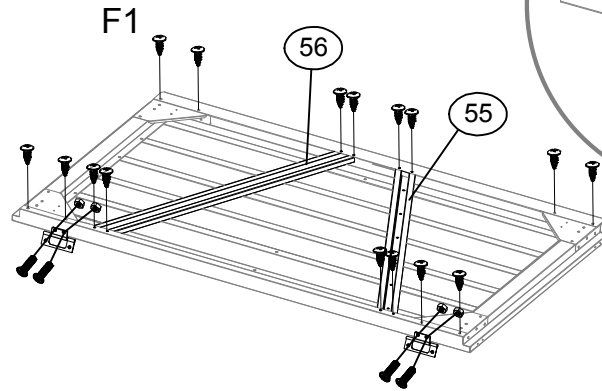
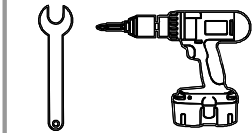
NO.	PART	Qty.
F1		14
S3		18
F2		4

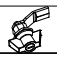
### Right Door Assembly



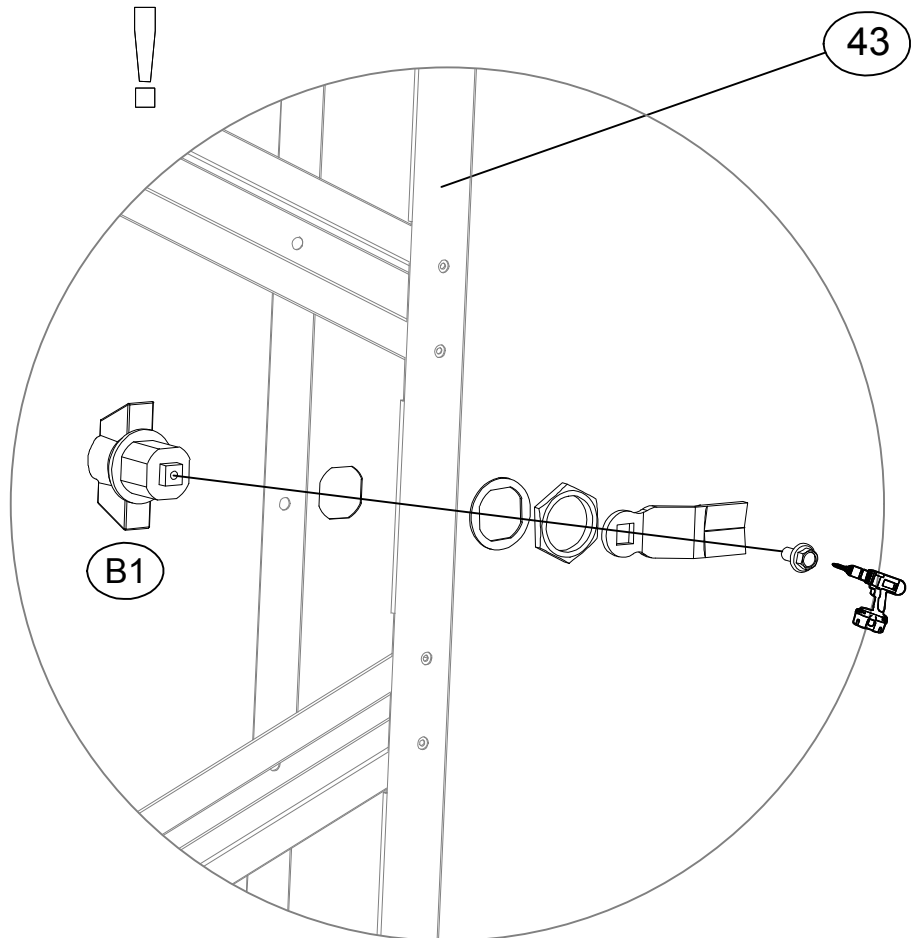
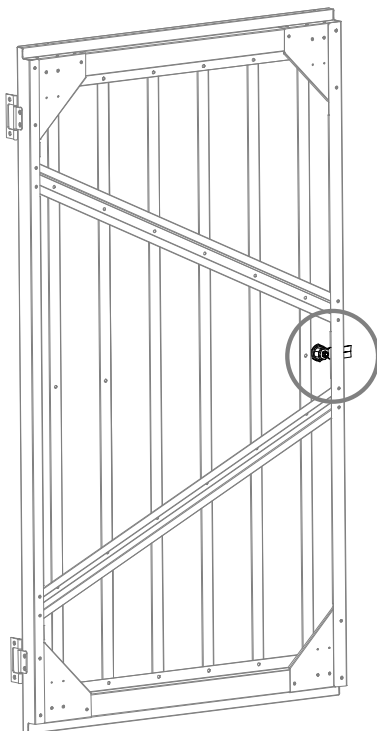
NO.	PART	Qty.
G4		2
55		1
56		1
F1		16
F3		4

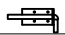



### Hinges and Reinforcements of Right Door Assembly

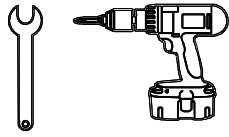


NO.	PART	Qty.
B1		1

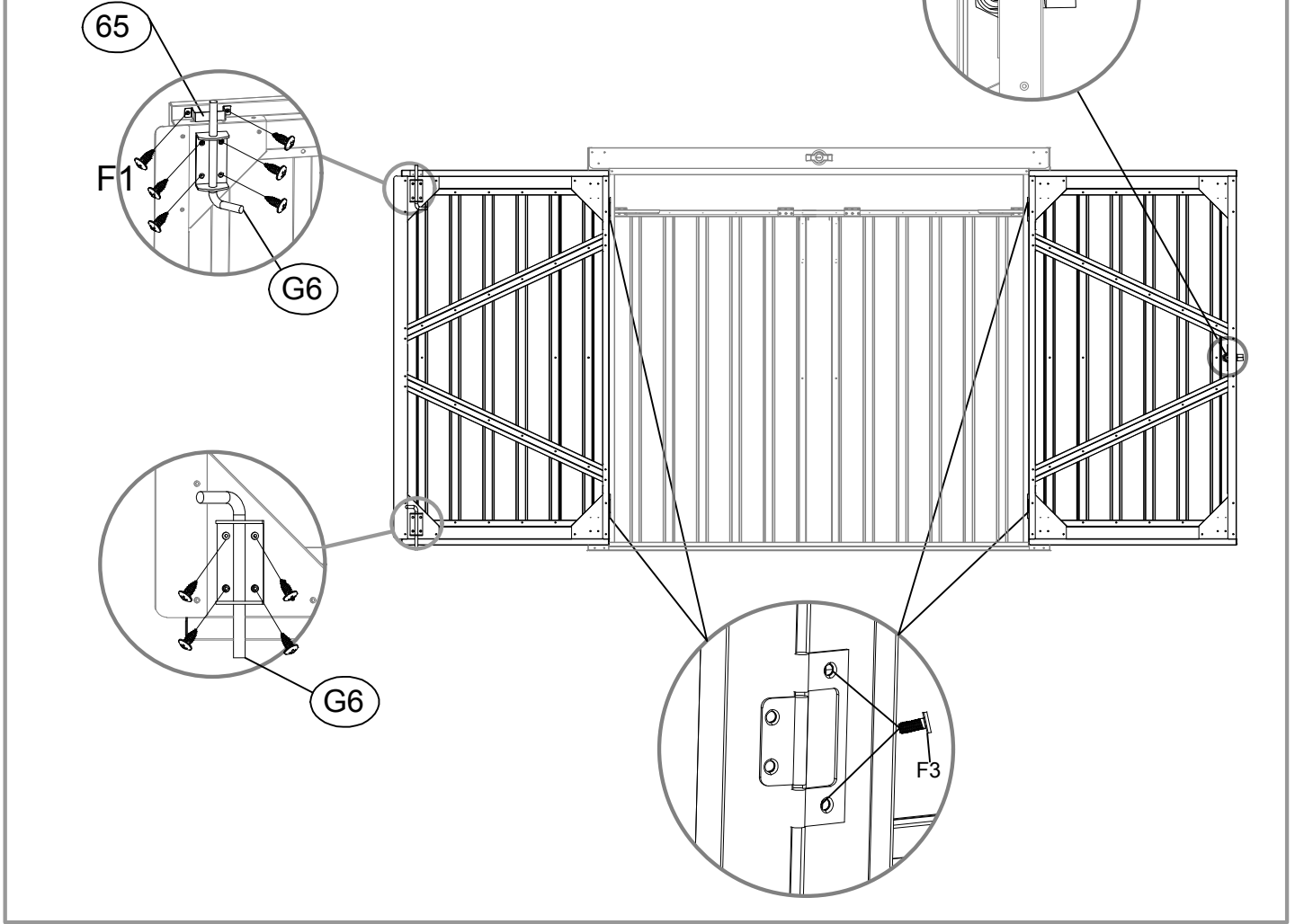
### Door Locker Installation







NO.	PART	Qty.
G6		2
65		1
F1		10
F3		8

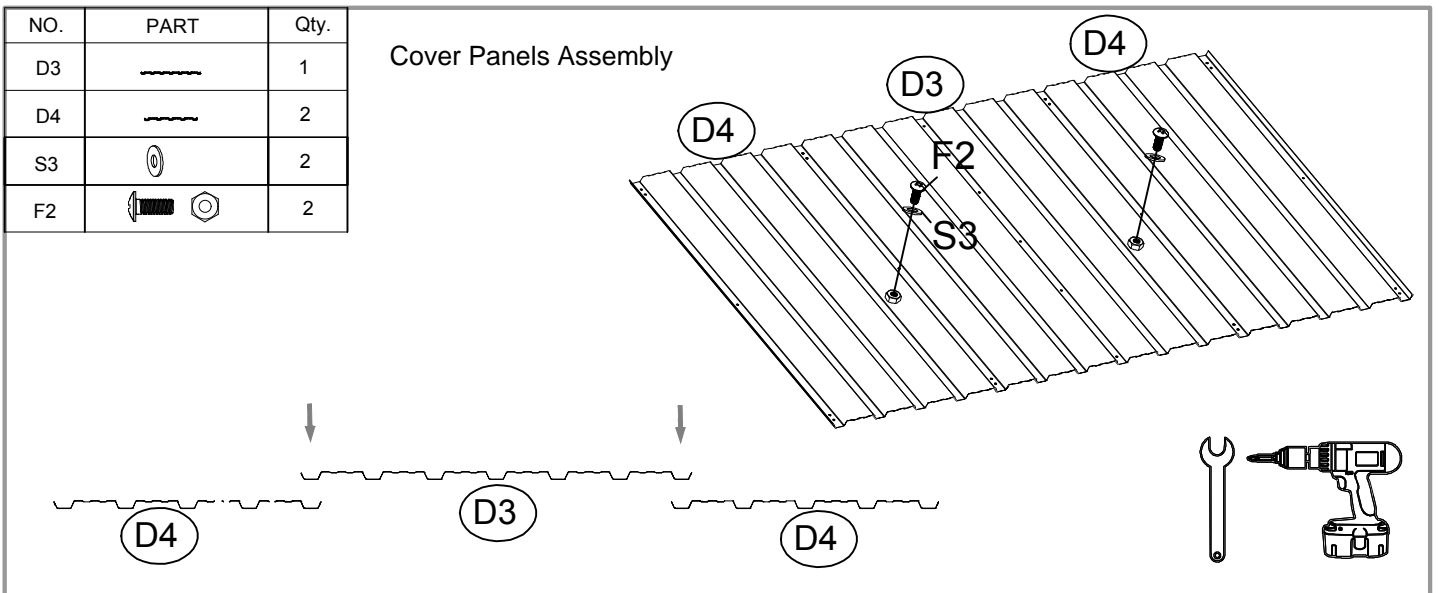


### Door Installation



NO.	PART	Qty.
D3		1
D4		2
S3		2
F2		2

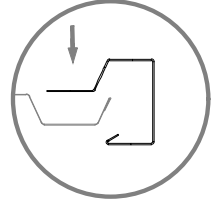
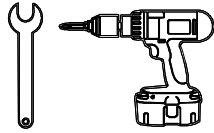
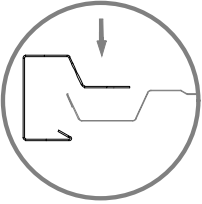
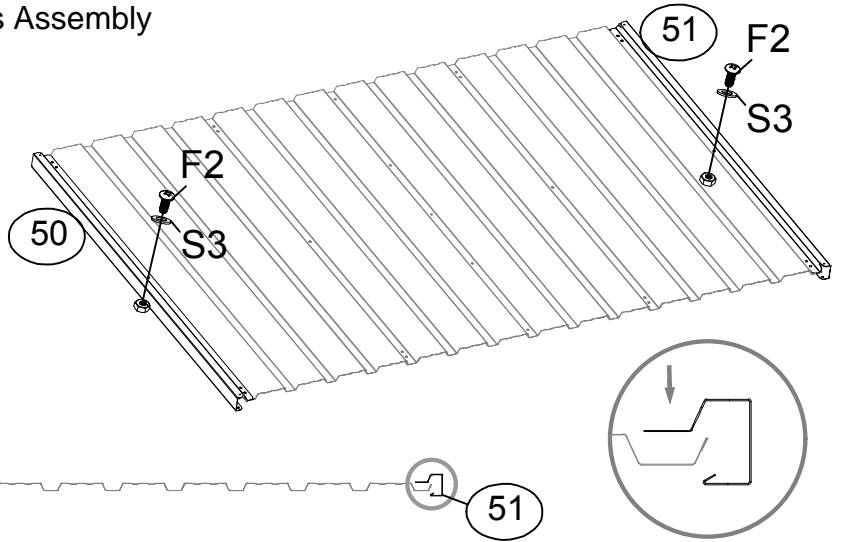
### Cover Panels Assembly



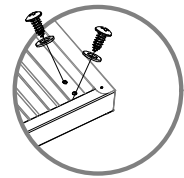
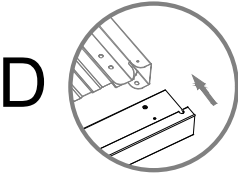
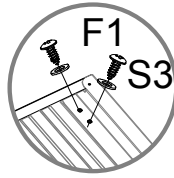
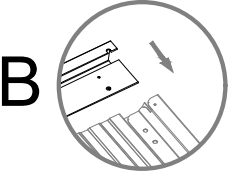
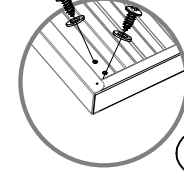
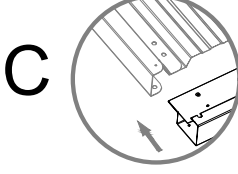
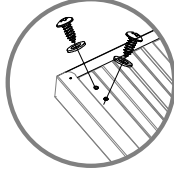
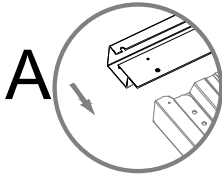
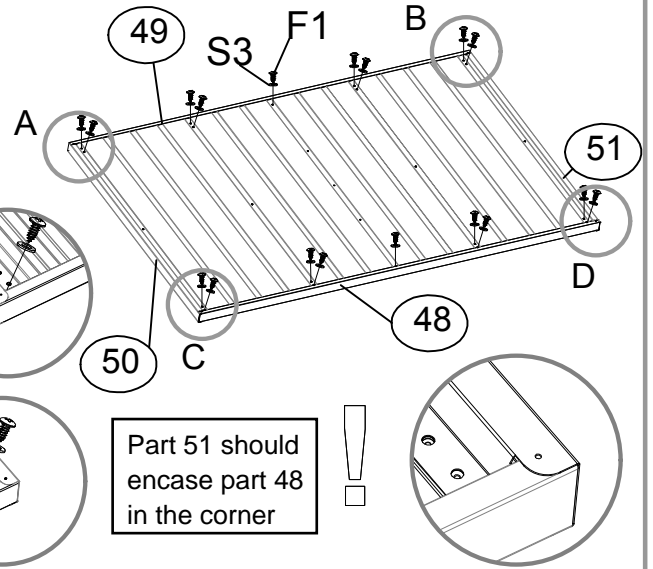


NO.	PART	Qty.
50		1
51		1
S3		2
F2		2

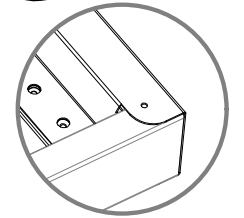
### Cover Frames Assembly



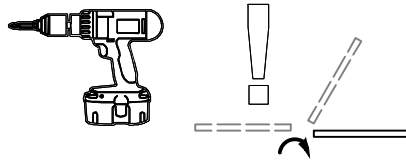
NO.	PART	Qty.
48		1
49		1
F1		18
S3		18



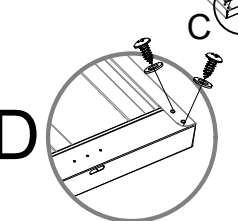
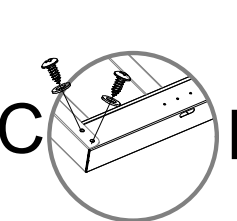
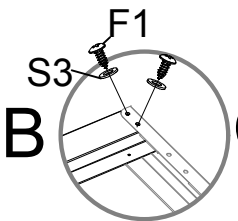
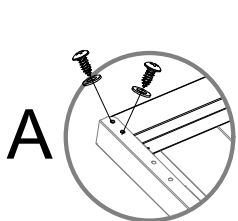
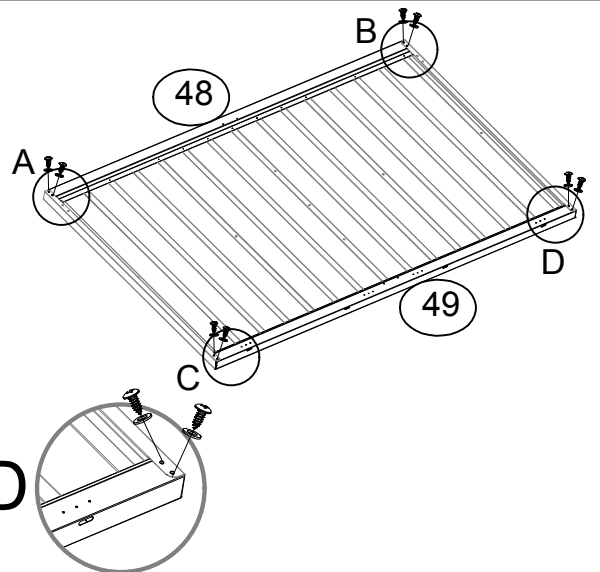
Part 51 should encase part 48 in the corner

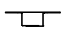



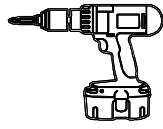
NO.	PART	Qty.
F1		8
S3		8



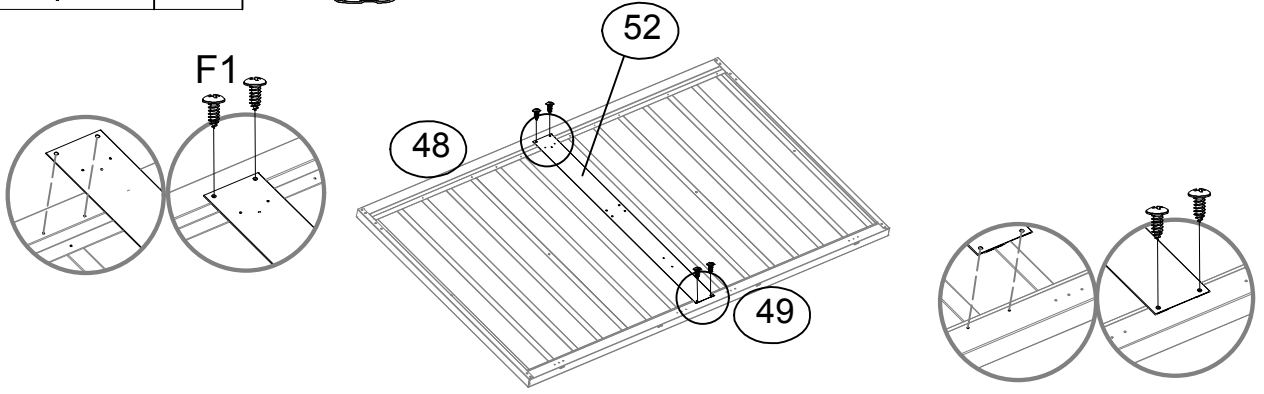
Tighten all screws on opposite face of cover

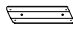
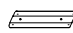



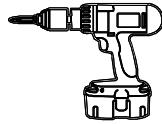
NO.	PART	Qty.
52		1
F1		4



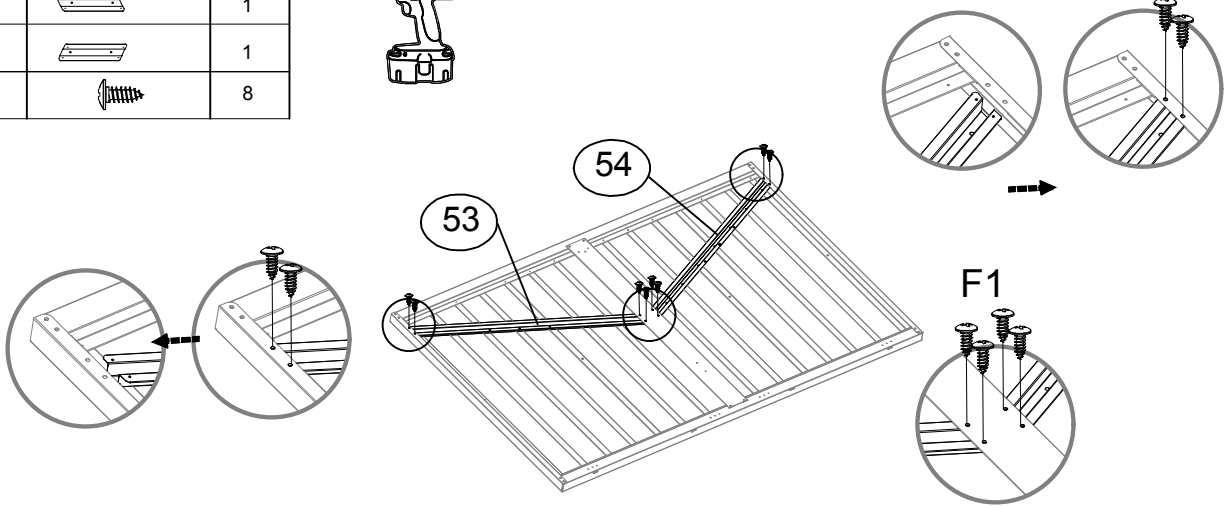
### Middle Beam Installation






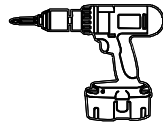
NO.	PART	Qty.
53		1
54		1
F1		8



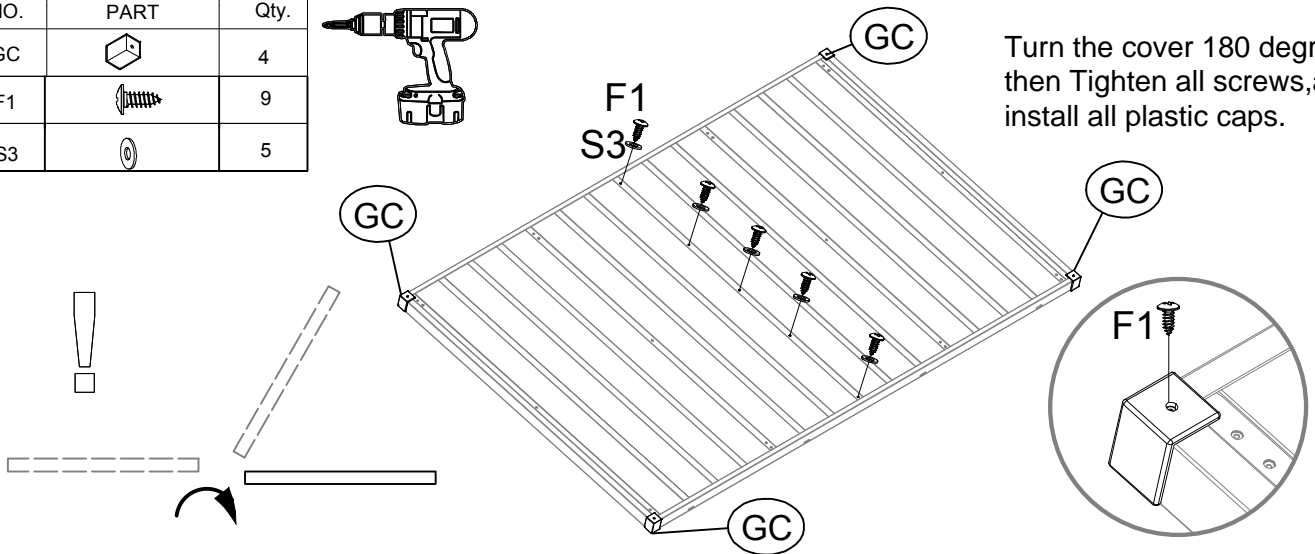
### Reinforcements Installation






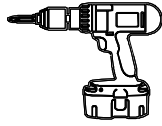
NO.	PART	Qty.
GC		4
F1		9
S3		5



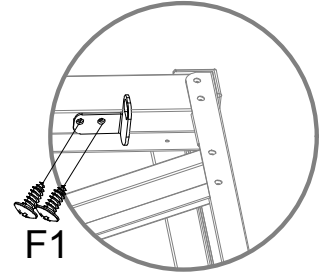
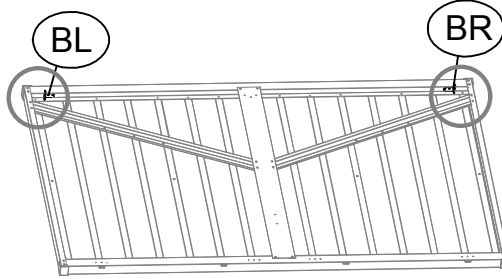
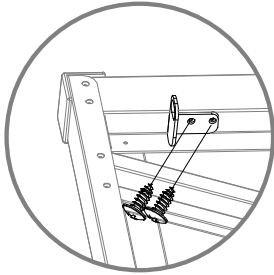
Turn the cover 180 degree, then Tighten all screws, and install all plastic caps.




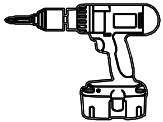
NO.	PART	Qty.
BL		1
BR		1
F1		4



### Door Bolt Hook Assembly

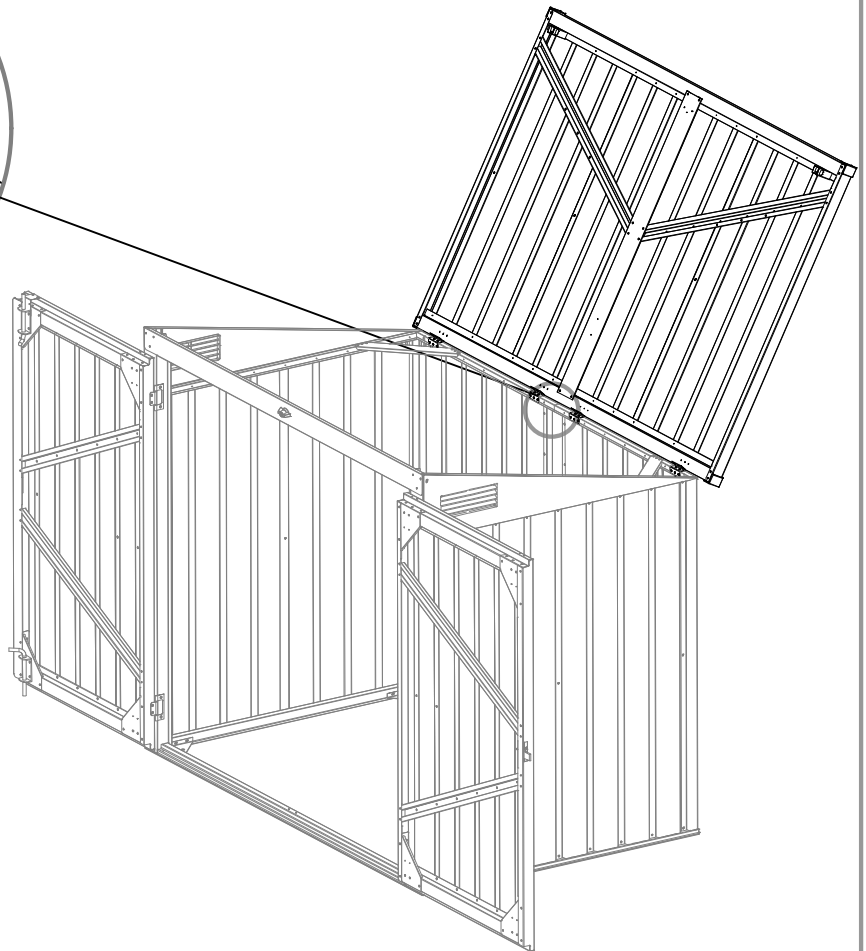
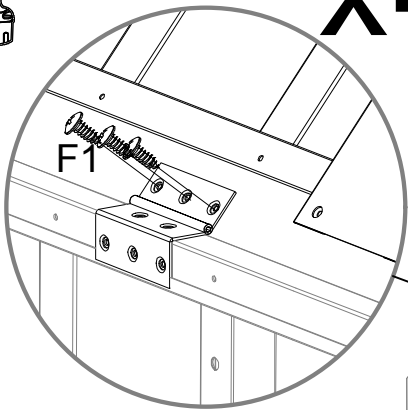





NO.	PART	Qty.
F1		12

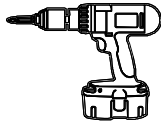


**x4**

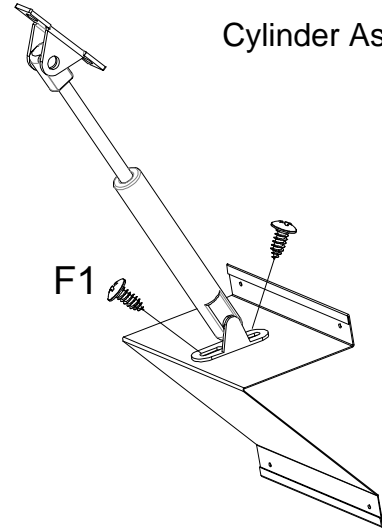
### Cover Fixation to the Hinges Preserved on back upper Beam.





NO.	PART	Qty.
G3		1
32		1
F1		2



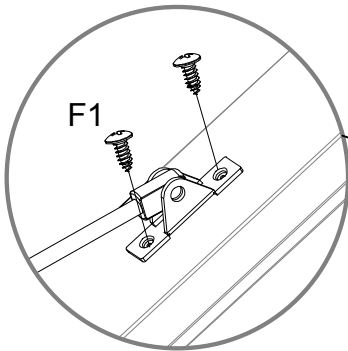
### Cylinder Assembly



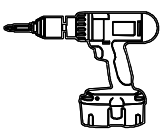
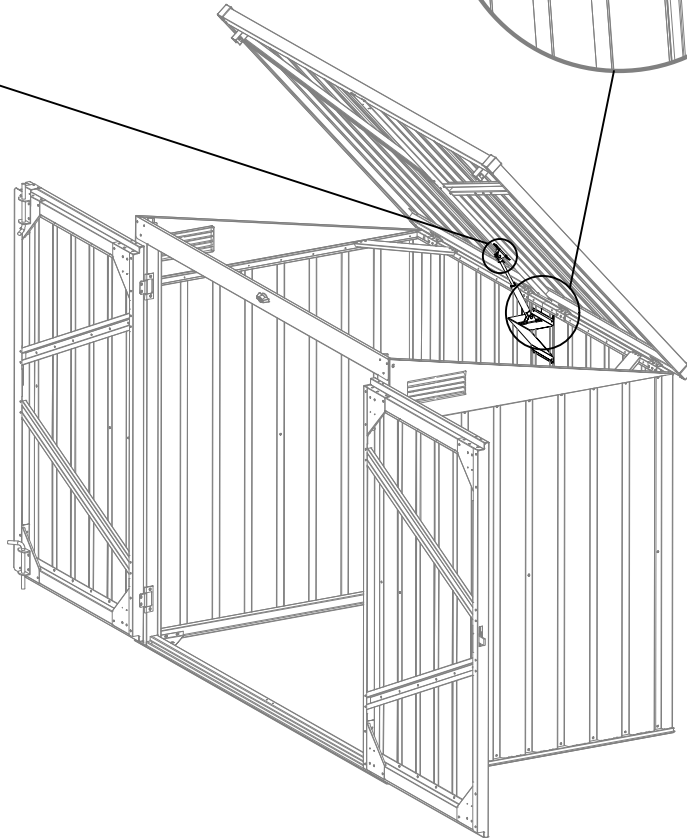
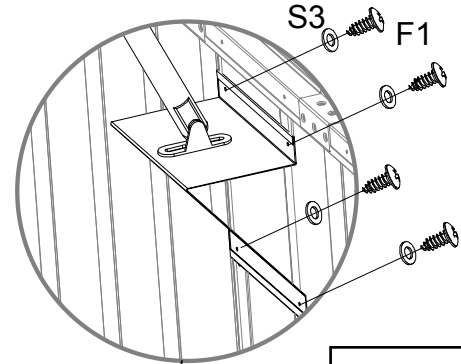
NO.	PART	Qty.
F1		6
S3		4

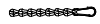


### Cylinder Installation

First step



Second step



NO.	PART	Qty.
K2		2
S3		2
F2		2

## Chain Installation

