



Cordless Tiller/Cultivator



3558

MAN 430200

Rev. B 4-10-18

**Operator's Manual and Safety Instructions for Cordless Tiller/Cultivator
Original Operating Instructions**

**Manuel de l'utilisateur et consignes de sécurité pour la motobineuse électrique
Traduction des instructions originales**



Welcome to the World of Mantis Gardening

IMPORTANT MESSAGE

Thank you for purchasing this Mantis tiller/cultivator. You have purchased a world class product, one of the best designed and built anywhere.

This Operator's Manual contains Safety instructions. The useful life and good service you receive from this machine depends to a large extent on how well you read and understand this manual. Treat your machine properly, lubricate and adjust it as instructed, and it will give you many years of reliable service.

Your safe use of this Mantis product is one of our prime design objectives. Many safety features are built in, but we also rely on your good sense and care to achieve accident-free operation. For best protection, study the manual thoroughly. Learn the proper operation of all controls. Observe all safety precautions. Follow all instructions and warnings completely. Do not remove or defeat any safety features. Make sure those who operate this machine are as well informed and careful in its use as you are.

Mantis designs and builds its equipment to serve many years in a safe and productive manner. For longest life, use this machine only as directed in the manual, keep it in good repair and follow safety warnings and instructions. You'll always be glad you did.

PRODUCT REGISTRATION
YOU CAN REGISTER YOUR MANTIS PRODUCT
ONLINE AT:
SCHILLERGC.COM/REGISTER

Schiller Grounds Care, Inc.
1028 Street Road
Southampton, PA 18966-4217 U.S.A.

PHONE (800) 366-6268 • FAX (215) 956-3855

TABLE OF CONTENTS

SAFETY RULES & WARNINGS	Charging a Hot or Cold Battery Pack	12
Special Safety Information.....	Installing the Battery	12
Safety & Warnings	OPERATION.....	13
Safety Decal Information	Intended Use	13
Safety Warnings	Wheel Adjustment.....	13
Battery & Charger Safety Instructions	Starting and Stopping	13
Emergency	General Operation	14
ASSEMBLY	Tilling	14
Tiller/Cultivator Parts	CARE.....	15
Technical Specifications	MAINTENANCE	16
Before You Start	STORAGE	17
Assembly	TROUBLESHOOTING	18
Battery Information	RECYCLING AND DISPOSAL	18
Battery Charge Level Indicator	LIMITED WARRANTY INFORMATION	BACK PAGE
Charger Information.....		



This Operator's Manual is an integral part of the machine. Suppliers of both new and second-hand machines must make sure that this manual is provided with the machine. **THESE INSTRUCTIONS ARE FOR YOUR SAFETY. PLEASE READ THROUGH THEM THOROUGHLY BEFORE USE AND RETAIN THEM FOR FUTURE REFERENCE.**

Safety Rules & Warnings

You will notice throughout this Operator's Manual Safety Rules and Important Notes. Make sure you understand and obey these warnings and all instructions for your own protection.

I. SPECIAL SAFETY INFORMATION

WARNING

Attention: This symbol points out our important safety instructions. When you see this symbol, heed it's warning!! Stay alert!!

WARNING

To reduce the potential for accidents, comply with the safety instructions in this manual. Failure to comply may result in serious personal injury, and/or equipment and property damage.

II. SAFETY & WARNINGS

WARNING

Improper use or care of this tiller/cultivator or failure to wear proper protection can result in serious injury. Read and understand the rules for safe operation and all instructions in this manual. Wear hearing and eye protection, proper non-slip footwear, long trousers, protective covering to contain long hair and protective gloves.

WARNING

CALIFORNIA Proposition 65 Warning
Battery post, terminals, wiring insulation, and related accessories contain lead and lead compounds, chemicals known to the State of California to cause cancer, birth defects and other reproductive harm.
WASH HANDS AFTER HANDLING

III. SAFETY DECAL INFORMATION

On the product, the rating label, and within these instructions you will find among others the following symbols and abbreviations. Familiarize yourself with them to reduce hazards like personal injuries and damage to property.



Lock / to tighten or secure.



Unlock / to loosen.



Note / Remark.



Caution / Warning.



Read the instruction manual.



Wear hearing protection.



Wear eye protection.



Wear a dust mask.



Wear protective gloves.



Wear protective, slip-resistant footwear.



Wear tight-fitted protective clothes.



Do not expose the tiller/cultivator to rain or wet conditions (moisture).



Work across the slopes, never up and down.



Inspect the area where the tiller/cultivator is to be used and remove all objects which can be thrown by the tiller/cultivator. If objects are hidden while operating stop the motor, wait for moving parts to stop and remove the object.

III. SAFETY DECAL INFORMATION (CONTINUED)



Objects thrown by the tiller/cultivator could hit the user or other bystanders. Always ensure that other people and pets remain at a safe distance from the tiller/cultivator when it is in operation. In general, children must not come near the area where the tiller/cultivator is being used or stored.



Tines continue to rotate after the tiller/cultivator is switched off. Wait until all machine components have completely stopped before touching the tiller/cultivator.



Pay special attention when working on or near the tilling tines!



Keep hands and feet away from sharp rotating parts – danger of injury! When cleaning, repairing, or inspecting, make certain the working tiller/cultivator and all moving parts have stopped.



Guaranteed sound power level value in 93dB.



WEEE symbol. Waste electrical products should not be disposed of with household waste. Please recycle where facilities exist. Check with your Local Authority or local store for recycling advice.



Indoor use only. Only use battery charger indoors.

! WARNING

If the tiller/cultivator is used improperly or safety precautions are not followed, the users risk serious injury to themselves, others and property. Read and understand this manual before attempting to operate this tiller.

! CAUTION!

Moving parts will continue to run for several seconds after turning off the tiller/cultivator. Wait until the tines have completely stopped before lifting the tiller/cultivator or conducting inspection and maintenance.

! WARNING

Some dust and debris created by the use of the tool could contain chemicals known to the State of California to cause cancer and birth defects or other reproductive harm. Some examples of these chemicals are:

- Chemicals in fertilizers
- Compounds in insecticides, herbicides and pesticides
- Arsenic and chromium from chemically treated lumber

Your risk from exposure to these chemicals varies, and depends on how often you do this type of work. To reduce your exposure, work in a well-ventilated area and with approved safety equipment, such as dust masks that are specially designed to filter out microscopic particles.

IV. WARNINGS

Read the instructions carefully. Be familiar with the controls and the proper use of the product.

1. Never allow children or people unfamiliar with these instructions to use the tiller/cultivator. Local regulations can restrict the age of the operator.
2. Keep children, bystanders, and pets away – All spectators, including pets, should be kept a safe distance away from the work area.
3. Keep in mind that the operator or user is responsible for accidents or hazards occurring to people or property.
4. Dress properly - Always wear proper non-slip footwear and long trousers while working. Do not operate the product when barefoot or wearing open sandals. Do not wear loose clothing or jewelry as such articles can become caught in moving parts. Wear a protective covering to contain long hair. Wearing protective gloves is recommended when working outdoors. Use safety glasses and hearing protection.
5. Thoroughly inspect the area where the tiller/cultivator is to be used and remove all objects which can be thrown by the product. Thrown objects can cause serious personal injury and property damage. Do not allow anyone in front of a running tiller/cultivator.
6. Before using, always visually inspect to see that the tines, tine bolts, and tine assembly are not worn or damaged. Replace worn or damaged tines and bolts in sets to preserve balance.
7. Maintain the tiller/cultivator with care – Keep the cutting edges clean for optimal performance and to reduce the risk of injury. Inspect the battery periodically and immediately replace it if damaged. Keep the handles dry, clean, and free from oil and grease. Follow the additional recommendations described in the maintenance section of this manual.

IV. WARNINGS (CONTINUED)

8. Avoid accidental starting – Do not carry the garden tiller/cultivator with your finger on the switch. Make sure the switch is off before inserting or removing the battery.
9. Remove the battery from the tiller when it is not in use.
10. Moving parts – Keep hands and feet away from moving parts. Keep guards in place and in proper working order.
11. Do not force the tiller/cultivator – It will perform better with less likelihood of personal or mechanical injury if it is used at the rate for which it was designed.
12. Do not overreach – Keep proper footing and balance at all times.
13. On multi-bladed machines, take care as rotating one tine can cause other tines to rotate.
14. Keep work area clean and well-lit – Cluttered, dark areas invite accidents. Work only in daylight or in good artificial light.
15. Always be sure of your footing on slopes.
16. Walk, never run with the tiller/cultivator.
17. Work across the slopes, never up and down.
18. Exercise extreme caution when changing direction on slopes.
19. Do not work on excessively steep slopes.
20. Use extreme caution when reversing or pulling the product towards you.
21. Start the motor carefully according to manufacturer instructions and with feet well away from the moving tines.
22. Do not put your hands or feet near or under rotating parts.
23. Never pick up or carry a tiller/cultivator while the motor is running.
24. Never operate the tiller/cultivator with defective guards or shields, or without safety devices, for example deflectors and/or catchers in place.
25. Stop the tiller/cultivator and remove the battery. Make sure that all moving parts have come to a complete stop...
 - before unclogging or changing the tines.
 - before checking, cleaning, servicing or working on the machine.
 - after striking a foreign object. Inspect the tiller/cultivator for damage and make repairs before restarting and operating the machine.
 - whenever you leave the tiller/cultivator. Never leave the tiller/cultivator running when unattended.
26. If the tiller/cultivator starts to vibrate abnormally turn it off, wait for moving parts to stop, and check immediately:
 - inspect for damage,
 - check for and tighten any loose parts,
 - replace or repair any damaged parts
27. Store idle tiller/cultivator indoors – When not in use, the tiller/cultivator along with the battery and charger should be stored indoors in a dry and high or locked-up place out of the reach of children.
28. Avoid dangerous environments – Do not use the tiller/cultivator in rain or in damp or wet locations. Do not operate the tiller/cultivator in gaseous or explosive atmospheres or use the tiller/cultivator near flammable or combustible liquids. Motors in these type of tools normally spark, and the sparks might ignite fumes.
29. Protect your battery charger from moisture and rain. Moisture and rain can cause dangerous cell damage. Do not use the battery charger near vapors, flammable or combustible liquids.
30. Check for damaged parts – Before further use of the tiller/cultivator, a guard or other part that is damaged should be carefully checked to determine that it will operate properly and perform its intended function. Check for alignment of moving parts, binding of moving parts, breakage of parts, mounting, and any other condition that may affect its operation. A guard or other part that is damaged should be properly repaired or replaced.
31. Keep the tiller/cultivator free of grass, leaves, or grease to reduce the chance of fire hazard.
32. The motor housing remains hot for a short period after the tiller/cultivator is turned OFF. Allow the motor housing to cool completely before touching or storing near combustible material.
33. Do not use near underground electric cables, telephone, lines, pipes, or hoses. If in doubt, contact your utility or telephone company to locate underground services.
34. Be aware that the tiller/cultivator may unexpectedly bounce upward or jump forward if the tines should strike buried obstacles such as large stones, roots, or stumps.
35. Don't grasp the exposed tines or cutting edges when picking up or holding the tiller/cultivator.

V. BATTERY & CHARGER SAFETY INSTRUCTIONS

We pay a great deal of attention to the design of every battery pack to ensure that we supply you with batteries that are safe, durable and have a high energy density.

Despite all the safety precautions, caution must always be exercised when handling batteries. Read and follow all instructions, warnings and cautions to ensure safe use. Safe use can only be guaranteed if an undamaged battery is used. Incorrect handling of the battery pack can cause cell damage.

⚠ WARNING! Incorrect use and poor care of batteries are the main factors responsible for personal injury and/or product damage.

⚠ WARNING! Use only approved replacement batteries; other batteries may damage the cordless tiller/cultivator and cause it to malfunction, which can lead to serious personal injury.

⚠ CAUTION! To reduce the risk of injury, charge the Mantis lithium-ion battery only with supplied Mantis charger. Other types of chargers present risk of fire, personal

injury and damage. Do not connect a battery pack to a power supply plug or car cigarette lighter. Such misuse will permanently disable or damage the battery pack.

⚠ WARNING! Avoid dangerous environments – Do not charge the battery pack in rain, snow or in damp or wet locations. Do not use the battery pack or charger in the presence of explosive atmospheres (gaseous fumes, dust or flammable materials) because sparks may be generated when inserting or removing the battery pack, which could lead to a fire.



V. BATTERY & CHARGER SAFETY INSTRUCTIONS (CONTINUED)

- Charge in a well-ventilated area – Do not block the charger vents. Keep them clear to allow for proper ventilation. Do not allow smoking or open flames near a charging battery pack since it may explode.

NOTE: The safe temperature range for discharging the battery is -4°F (-20°C) to 113°F (45°C). Do not charge the battery outside in freezing weather; charge it at room temperature.

- Maintain charger cord – When unplugging the charger, pull the plug, not the cord, from the receptacle to reduce the risk of damage to the electrical plug and cord. Never carry the charger by its cord or yank it by the cord to disconnect it from the receptacle. Keep the cord away from heat, oil and sharp edges. Make sure the cord will not be stepped on, tripped over or subjected to damage or stress when the charger is in use. Do not use the charger with a damaged cord or plug. Replace a damaged charger immediately.
- Do not use an extension cord unless it is absolutely necessary – Using the wrong,

damaged or improper extension cord poses a risk of fire and electric shock. If an extension cord must be used, plug the charger into a 16 gauge or larger extension cord with the female plug matching the male plug on the charger. Make sure that the extension cord is in good electrical condition.

- Charger part number 3505 is rated for 120 volt AC only – The charger must be plugged into an appropriate receptacle.
- Use only recommended attachments if applicable.
 - Use of an attachment not recommended or sold by Mantis may result in risk of fire, electric shock or personal injury.
- Unplug charger when not in use – Make sure to remove battery packs from unplugged chargers.
- Do not burn or incinerate battery packs
- Do not crush, drop or damage battery packs – Do not use the battery pack or charger if they have been dropped, run

over or have been damaged in any way (i.e. pierced with a nail, hit with a hammer, stepped on, etc.).

- Do not disassemble the battery– This may pose a serious risk of electric shock, fire or exposure to toxic battery chemicals. If the battery or charger are damaged, contact the Mantis customer service center at 1-800-366-6268 for assistance.
- Do not short circuit – A battery pack will short circuit if a metal object makes a connection between the positive and negative contacts on the battery pack. Do not place a battery pack near anything that may cause a short circuit, such as paper clips, coins, keys, screws, nails and other metallic objects. A short-circuited battery pack poses a risk of fire and severe personal injury.
- Store your battery pack and charger in a cool, dry place – Do not store the battery pack or charger where temperatures may exceed 104°F (40°C), such as in direct sunlight or inside a vehicle or metal building during the summer.

WARNING

To reduce the risk of electric shock, always unplug the charger before performing any cleaning or maintenance. To reduce the risk of electric shock, do not allow charger or charger's AC/DC plug to get wet. Use a Ground Fault Circuit Interrupter (GFCI) to reduce shock hazards.

WARNING

Battery packs may explode, causing personal injury or damage. Toxic fumes and materials are created when battery packs are burned.

WARNING

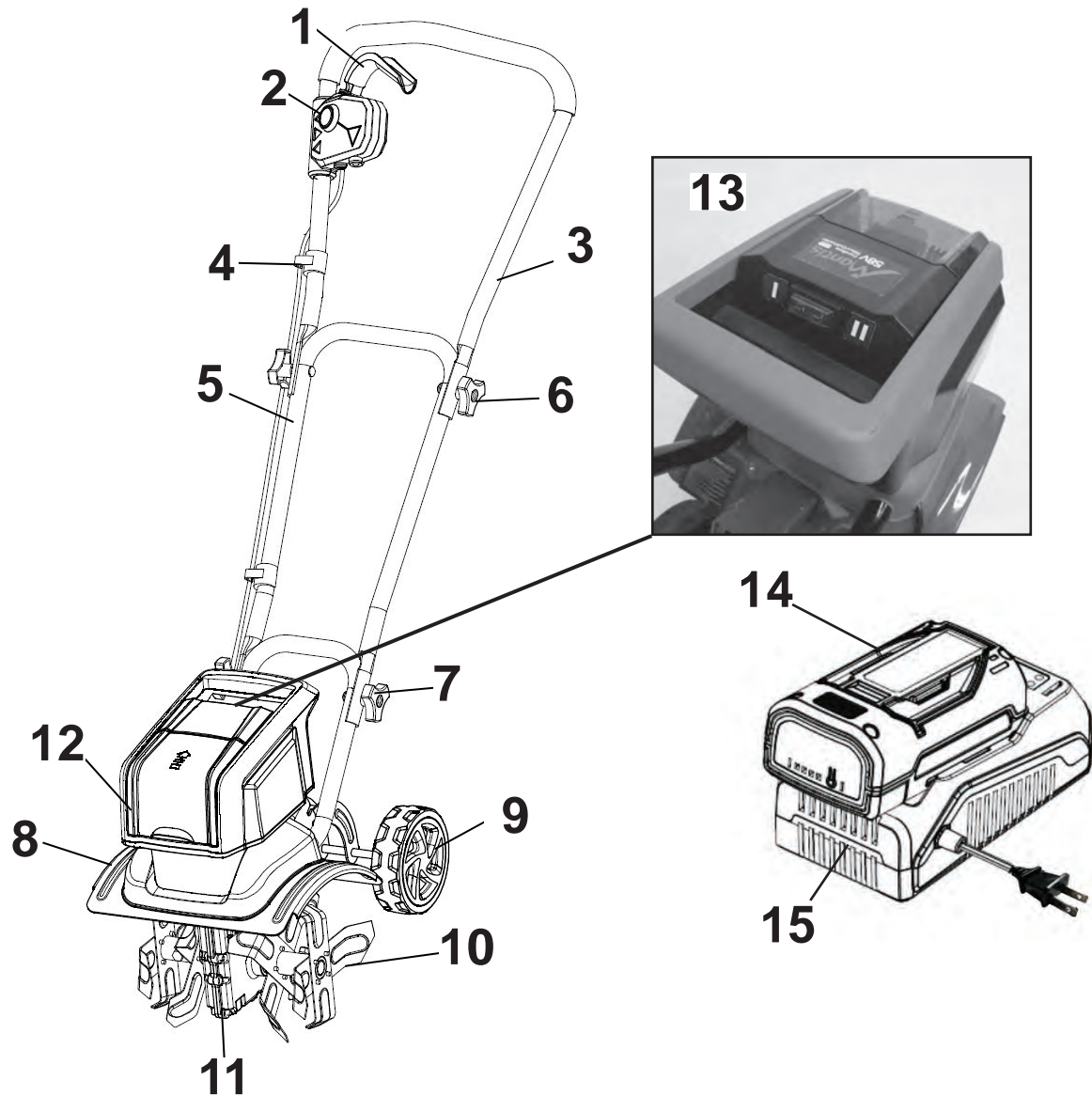
Battery chemicals cause serious burns – Never let a damaged battery pack contact the skin, eyes or mouth. If a damaged battery pack leaks battery chemicals, use rubber or neoprene gloves to safely dispose of it. If skin is exposed to battery fluids, wash the affected area with soap and water and rinse with vinegar. If eyes are exposed to battery chemicals, immediately flush with water for 20 minutes and seek medical attention. Remove and dispose of contaminated clothing.

VI. EMERGENCY

Familiarize yourself with the use of this product by reading of this instruction manual completely. Memorize the safety directions and follow them to the letter. This will help to prevent risks and hazards.

1. Always stay alert when using this tiller/cultivator, so that you can recognize and handle risks early. Watch what you are doing. Use common sense. Do not operate the tiller/cultivator when you are tired or under the influence of drugs, alcohol, or other medication. Fast intervention can prevent serious injury and damage to property.
2. Switch off and remove the battery if there are malfunctions. Have the tiller/cultivator and battery checked by a qualified professional and repaired, if necessary, before you operate it again.
3. Please call the Mantis customer service center at 1-800-366-6268 for assistance.

Tiller/Cultivator Parts



- | | |
|------------------------------------|--------------------------|
| 1. On/off switch | 9. Wheels |
| 2. Lock-off button | 10. Steel Tines (blades) |
| 3. Upper handle | 11. Gear box |
| 4. Cord clip | 12. Motor housing |
| 5. Middle handle | 13. Two speed switch |
| 6. Upper handle knob and bolt (2) | 14. Battery |
| 7. Middle handle knob and bolt (2) | 15. Charger |
| 8. Fender Guard | |

Technical Specifications

Battery Voltage	58V D.C.
Battery Capacity	2.5 Ah
Battery Model	3501-01A, 3501-02A
Charger Model	3505
Charging Time	90 min (full charge)
Charging Input	AC 100-120V, 60 Hz, 145W
Charging Output	58.8 VDC, 2A
Battery Run Time	20-30 min
Motor Power	650W
Number of Tine Speeds	2
Tine Speed I	200+/-10% RPM
Tine Speed II	300+/-10% RPM
Tilling Width	12 in (30 cm)
Digging Depth 8" (200mm)	8" (20 cm)
Wheels Height Adjustment	3 settings
Weight w/o battery	23.6 lbs (10.7 kg)
Weight with battery installed	26 lbs (12 kg)



The sound values have been determined according to noise test code given in 2000/14/EC. The sound intensity level for the operator may exceed 80dB(A) and ear protection measures are necessary.

WARNING

Adopt proper measures to protect yourself against vibration exposures. Take the whole work process including times the tiller/cultivator is running under no load or switched off into consideration. Proper measures include among others regular maintenance and care of the product and accessories, keeping hands warm, periodic breaks and proper planning of work processes.

BEFORE YOU START

- Remove packing materials and unpack all parts and lay them on a flat, stable surface.
- Make sure the delivery contents are complete and free of any damage. If you find that parts are missing or show damage do not use the tiller/cultivator but contact the Mantis customer service center at 1-800-366-6268 for assistance. Using an incomplete or damaged tiller/cultivator represents a hazard to people and property.
- Ensure that you have all the accessories and tools needed for assembly and operation. This also includes suitable personal protective equipment.

TILLER/CULTIVATOR ASSEMBLY

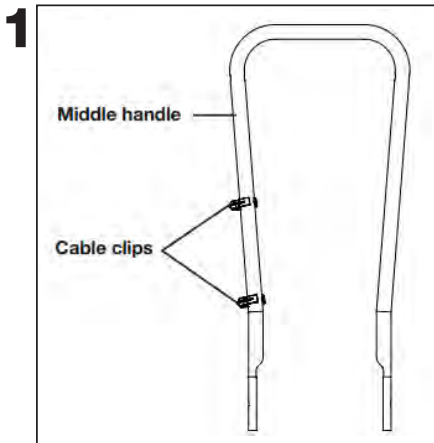
i NOTE: Take care of small parts that are removed during assembly or when making adjustments. Keep them secure to avoid loss.

! WARNING

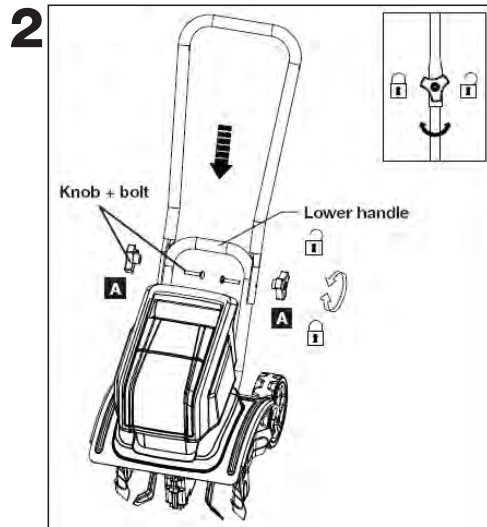
The tiller/cultivator and the packaging are not children's toys! Children must not play with plastic bags, sheets and small parts! There is a danger of choking and suffocation!

! WARNING

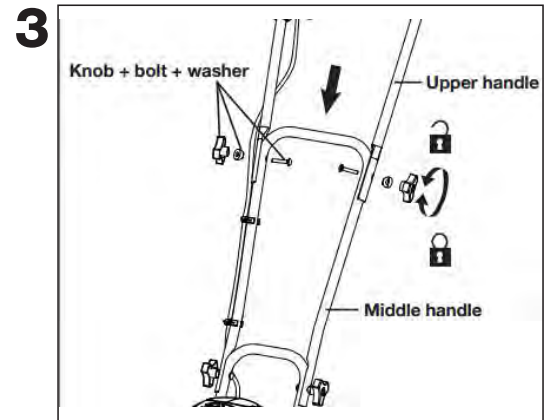
The tiller/cultivator must be fully assembled before operation! Do not use tiller/cultivator that is only partly assembled or assembled with damaged parts! Follow the assembly instructions step-by-step and use the pictures provided as a visual guide to easily assemble the product! Do not insert the battery before it is completely assembled! Failure to comply could result in accidental starting and serious personal injury.



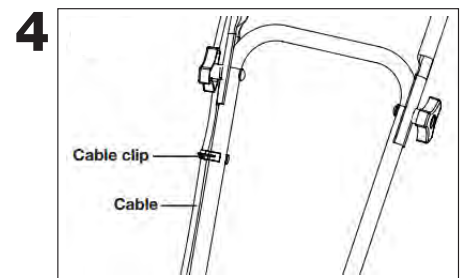
- Attach the cable clips to the middle handle bar



- Secure the middle handle to the lower handle using the first set of knobs, bolts, and plastic washers. Tighten the knobs on each side to ensure a secure fit.



- Connect the upper handle to the middle handle using the second set of knobs, bolts and plastic washers. Tighten the knobs on each side to ensure a secure fit.



- Secure the cable inside the cable clips.

! WARNING

Make sure all handle knobs are properly tightened before using the product.

BATTERY INFORMATION

Your tiller/cultivator comes with maintenance free, sealed 58 volt battery.

- Lithium-ion batteries are subject to a natural aging process. The battery pack must be replaced at the latest when its capacity falls to just 80% of its capacity when new. Weakened cells in an aged battery pack are no longer capable of meeting the high power requirements needed for the proper operation of your tiller/cultivator, and therefore pose a safety risk.
- Do not ignite the battery pack or expose it to fire as this poses a risk of explosion.
- Do not exhaustively discharge batteries. Exhaustive discharge will damage the battery cells. The most common cause of exhaustive discharge is lengthy storage or non-use of partially discharged batteries. Stop working as soon as the performance of the battery falls noticeably or the tiller/cultivator circuit overload protection is tripped. Place the battery pack in storage only after it has been fully charged.
- Protect batteries and the tool from overloads. Overloads will quickly result in overheating and cell damage inside the battery housing even if this overheating is not apparent externally.
- Avoid damage and shocks. Immediately replace batteries that have been dropped from a height of more than one meter (about 3 feet) or those that have been exposed to violent

BATTERY CHARGE LEVEL INDICATOR

The battery pack supplied with your cordless tiller/cultivator is only partially charged. The battery pack has to be charged completely before you use the tiller/cultivator for the first time.

The battery pack is equipped with a push button (Item A) to check the charge level. Simply press the push button to read off the battery charge level from the LEDs of the battery indicator (Item B).

- All 4 LEDs are lit: The battery is fully charged and ready for use.
- 3 or 2 LEDs are lit: The battery has an intermediate remaining charge.
- 1 LED blinks: The battery is empty, turn off tiller/cultivator and recharge the battery immediately. Otherwise the battery's service life will be greatly shortened

The battery should be charged in a cool, dry place. To improve battery life, store battery indoors in a controlled climate. Fully charge battery pack every 3 months. Note that 2 to 3 initial charging/discharging cycles may be required to achieve maximum run time/capacity.

Allow at least two (2) hours of charge time before initial use of the tiller/cultivator. When fully charged, the battery can be safely stored for a period of up to one month before requiring charging.

NOTE: If lights do not illuminate when you press the charge level button (Item A) place the battery pack on the charger and charge as needed.

Use the battery charge indicator lights to determine when to charge your Mantis lithium-ion battery pack.

You can “top-off” your battery pack’s charge before starting a big job or after a long day of use.

WARNING

The tiller/cultivator should be used only with the lithium-ion batteries of the Mantis series!

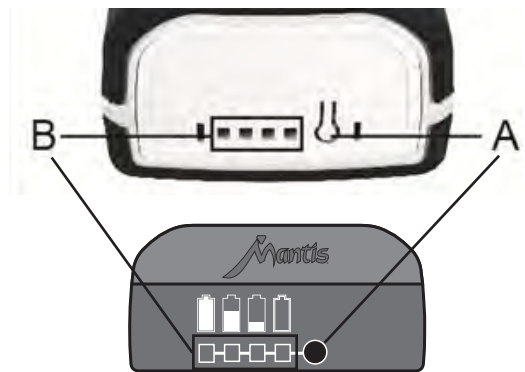
WARNING

If all LEDs flash, the battery pack has undergone exhaustive discharge and is defective. Do not use or charge a defective battery pack!

shocks, even if the housing of the battery pack appears to be undamaged. The battery cells inside the battery may have suffered serious damage. In such instances, please read the waste disposal information for proper battery disposal.

- If the battery pack suffers overloading and overheating, the integrated circuit overload protection will switch off the tiller/cultivator for safety reasons.

CAUTION! Do not continue pressing the ON/OFF switch if the circuit overload protection is tripped. This may damage the battery pack.



CHARGER INFORMATION

WARNING

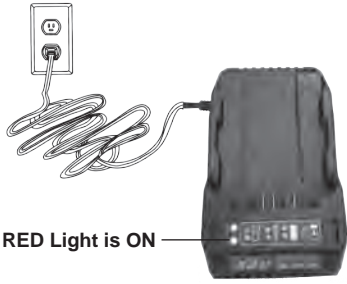
Use only Mantis lithium-ion batteries with the Mantis tiller/cultivator. Charge the Mantis lithium-ion battery with supplied Mantis charger only. Other types of batteries may cause personal injury and damage. To reduce the risk of electric shock, do not allow charger or charger's AC/DC plug to get wet.

- Please check the data marked on the rating plate of the battery charger. Be sure to connect the battery charger to a power supply with the voltage marked on the rating plate. Never connect it to a different mains voltage.
- Protect the battery charger and its cord from damage. Keep the charger and its cord away from heat, oil and sharp edges. If battery or charger are damaged contact the Mantis customer service center at 1-800-366-6268 for assistance.
- Electrical plugs must match the outlet. Never modify the plug in any way. Do not use any adapter plugs. Original plugs and matching outlets will reduce the risk of electric shock.
- Keep the battery charger, battery pack(s) and the cordless tiller/cultivator out of the reach of children.
- Do not use the supplied battery charger to charge other non-Mantis cordless tools.
- During periods of heavy use, the battery pack will become warm. Allow the battery pack to cool to room temperature before inserting it into the charger to recharge.
- Do not overcharge batteries. Do not exceed the maximum charging times. These charging times only apply to discharged batteries. Always unplug the charger when there is no battery pack in it. Do not leave batteries in the plugged in charger for days on end.
- Never use or charge batteries if you suspect that it has been more than 12 months since the last time they were charged. There is a high probability that the battery pack has already suffered dangerous damage (exhaustive discharge).
- Charging batteries at a temperature below 50°F (10°C) will cause chemical damage to the cells and may cause a fire.
- Do not use batteries that have been exposed to heat during the charging process, as the battery cells may have suffered dangerous damage.
- Do not use batteries if they are bulging or deformed during the charging process or those that exhibit other atypical symptoms (gassing, hissing, cracking, etc.).
- Never fully discharge the battery pack (maximum recommended depth of discharge is 80%). A complete discharge of the battery pack will lead to premature aging of the battery cells. Use the battery charger and cordless tools only in dry conditions and at an ambient temperature of 50-104°F (10-40°C).
- Do not keep the battery charger in places where the temperature is liable to reach over 104°F (40°C). In particular, do not leave the battery charger in a car that is parked in the sunshine.
- Protect batteries from overheating. Overloads, overcharging and exposure to direct sunlight will result in overheating and cell damage. Never charge or work with batteries that have been overheated – replace them immediately, if possible.
- Prevent the lithium-ion battery pack from freezing. Battery packs that were stored below 32°F (0°C) for more than 60 minutes must be discarded.
- When handling batteries, be wary of electrostatic charge. Electrostatic discharges can damage the electronic protection system and the battery cells. Avoid electrostatic charging and never touch the battery poles.

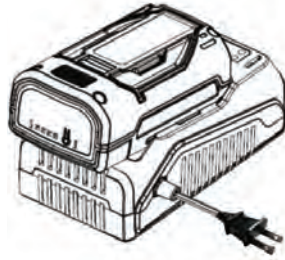
WARNING

Use Mantis charger part number 3505 only with Mantis batteries, other type of batteries may cause personal injury or damage.

CHARGER INFORMATION (CONTINUED)



Insert the plug of the charger into the wall receptacle. The RED light will illuminate and stay red.



Place the battery pack into the charger by sliding the battery forward until it is fully seated.



Mantis charger also works as a battery diagnostic center and the charger's LED's will illuminate in specific order to communicate the current battery status. See table below.

CHARGER'S LED INDICATOR		
	RED is 'ON' continuously, GREEN is 'BLINKING'	Battery is charging
	GREEN is 'ON' continuously and RED is 'OFF'	Battery is fully charged. Remove the battery from the charger.
	Two lights are 'BLINKING' RED & GREEN	Abnormal Temperature. The battery pack is either too hot or too cold
	GREEN light is 'OFF,' the RED light is 'BLINKING'	Something is wrong with the battery. Remove and Replace it. Contact Mantis Customer Service center at 1-800-366-6268 for assistance.
<ul style="list-style-type: none"> When charging is complete, remove the battery by sliding it out. <p>NOTE: Typical time required to reach a full charge is around 100 minutes.</p>		

CHARGING A HOT OR COLD BATTERY PACK

Batteries operate over a wide temperature range, but this does not give permission to also charge them at these conditions. The charging process is more delicate than discharging and special care must be taken. Extreme cold and high heat reduce charge acceptance, so the battery must be brought to a moderate temperature before charging.

If two charger indicator lights are flashing RED & GREEN, it means that the battery pack temperature is outside the charging range. Once the pack is within the acceptable range, normal charging will take place. Hot or cold battery packs may take longer to charge.

Lithium-Ion Charging Status		
Battery Pack Temperature	Indicator Lights	Charging Status
Too hot	Two lights are flashing RED & GREEN	Not charging
Normal range	RED is 'ON' continuously, GREEN is 'BLINKING'	Normal charging
Too cold	Two lights are flashing RED & GREEN	Not charging

INSTALLING THE BATTERY

Open the battery cover. This is done by pressing the lock release (Item C) as shown in Fig. 1 and swinging up the cover. Then connect the battery into the mounts as shown in Fig. 2 and push it forward until you hear it engage (click). In order to remove the battery, push the battery release button Fig.3 (item D) and slide it out.

Fig.1



Fig. 2



Fig. 3



ATTENTION!

The battery must always be fully charged before use. Close the battery cover by swinging it down, and make sure that it latches in place securely.

Cordless Tiller/Cultivator Operation

INTENDED USE

This tiller/cultivator is intended for loosening and working up the soil in a garden and for tilling coarse soil for mixing in fertilizer, peat and compost in planting areas. This tiller/cultivator should not be used to till extremely dry or wet soil.

This tiller/cultivator should not be used in rain or humid environments.

For safety reasons it is essential to read the entire instruction manual before first operation and to observe all the instructions.

This tiller/cultivator is intended for private household use only, not for any commercial trade use. It must not be used for any purposes other than those described.

WHEEL ADJUSTMENT

The wheels can be adjusted to 3 positions. Lower the wheel height for shallow soil penetration. Raise the wheel height for deeper soil penetration.

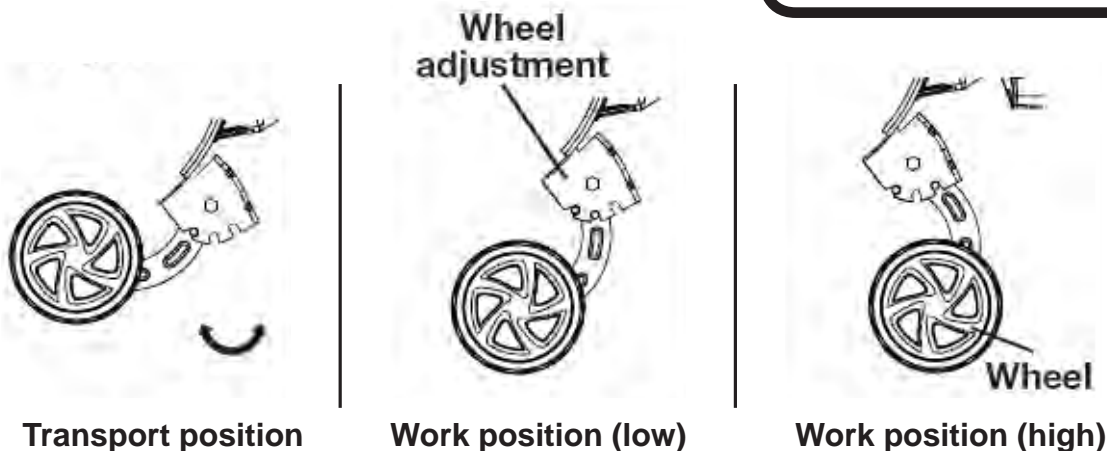
Adjust the wheels when the tiller/cultivator is off, wait for moving parts to stop and remove the battery. Tilt the tiller/cultivator forward to rest on the motor housing. Grasp the wheel assembly by the axle and pull toward you. Move the assembly up or down (as needed) and allow the pins on the assembly to slot into one of the three pre-set positions.

TWO SPEEDS SWITCH

This product features a switch that allows operation at one of two, preset speeds. The switch is located on the back of the motor facing the operator. When set on low speed (I) the digging tines will move more slowly and deliberately than when set on high speed (II). Select speed levels based upon preference relating to job requirements. The speed switch should only be engaged when the tiller/cultivator is turned off and in a stationary position.

WARNING

Always switch the product off and wait for moving parts to stop. Remove the battery before making any adjustments!



WARNING

The wheels can be adjusted in 3 different positions. Always ensure the wheels are securely locked! Do not attempt to use the tiller/cultivator with the wheels in any other position or unlocked!

STARTING AND STOPPING TILLER/CULTIVATOR

1. Insert fully charged power battery in the tiller/cultivator.
2. Press the lock-off button and hold it in position (Figure 1, step 1).
3. Squeeze the ON/OFF switch to turn the tiller/cultivator "ON" (Figure 1, step 2), release the lock-off button afterwards.
3. Release the ON/OFF switch to turn the tiller/cultivator "OFF" in order to stop it.

Figure 1



Cordless Tiller/Cultivator Operation (Continued)

GENERAL OPERATION

1. Check the tiller/cultivator, its battery as well as accessories for damage before each use. Do not use tiller/cultivator if it is damaged or shows wear.
2. Double check that the tines are properly fastened.
3. Always hold the tiller/cultivator by its handles. Keep the handles dry to ensure safe support.
4. During transportation of the tiller/cultivator, the operator must control the handles with two hands.
5. Ensure that the air vents are always unobstructed and clear. Clean them if necessary with a soft brush. Blocked air vents may lead to overheating and damage the product.
6. Switch the tiller/cultivator off immediately and wait for moving parts to stop if you are interrupted while working by other people entering the working area. Always let the tiller/cultivator come to a complete stop before taking your eyes off the machine.
7. Do not overwork yourself. Take regular breaks to ensure you can concentrate on the work and have full control over the tiller/cultivator.

WARNING

In some countries regulations define at what time of the day and on what special days products are allowed to be used and what restrictions apply! Ask your local agencies for all detailed information and observe regulations!

TILLING

1. Make sure that the working area is clear of stones, sticks, wire or other objects that could damage the tiller/cultivator or its motor. Be aware that the tiller/cultivator may unexpectedly bounce upward or jump forward if the tines should strike buried obstacles such as large stones, roots, or stumps.
2. Do not till very wet soil because it tends to accumulate around the tines, preventing proper rotation. It could also cause you to slip and fall.
3. Always maintain a firm grip on the tiller/cultivator. For better guidance apply light pressure to the handles (Figure 2). Hold onto the tiller/cultivator with both hands during operation. Ensure the grips are dry.
4. Do not try to till too deeply or force the product into soil that is extremely hard or resistant.
5. Walk the tiller/cultivator backwards through the soil at a normal pace and in as straight a line as possible.
6. Till in slight overlapping rows. The most effective pattern for tilling soils is moving the tiller/cultivator up and down in vertical lines, then move the tiller/cultivator in horizontal lines from left to right (Figure 3). This will keep the rows even and ensures that all the ground is tilled without missing any spots.
7. Pay special attention when changing direction. Apply light pressure onto the handle so that the tines are lifted to make a turn. Turn the product around guided by the wheels. Gradually release pressure and move the tines back to the ground.

Figure 2

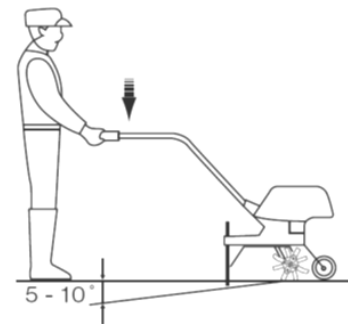
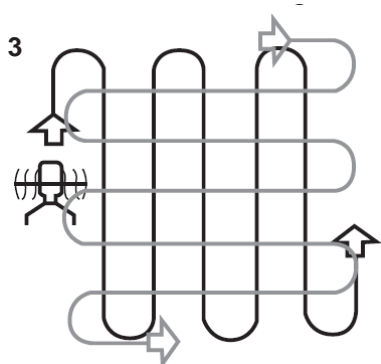
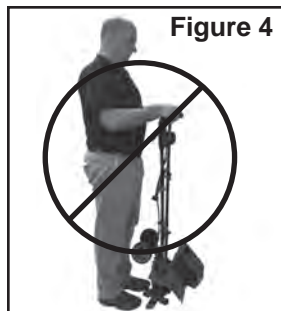


Figure 3



WARNING

Never carry this tiller/cultivator as the person in figure 4 is doing. If you do, and the tines engage, you could suffer serious injury.



WARNING

Stop the motor, if the tiller/cultivator strikes a foreign object! Switch the tiller/cultivator off, wait for moving parts to stop, remove the battery and let it cool down. Inspect the tiller/cultivator thoroughly for damage! Have any damage repaired before restarting! Extensive vibration of the tiller/cultivator during operation is an indication of damage! Stop the motor. The tiller/cultivator should be promptly inspected and repaired!

Cordless Tiller/Cultivator Care

AFTER USE


1. Switch the tiller/cultivator off, wait for moving parts to stop, remove the battery and let it cool down.
2. Check, clean and store the tiller/cultivator as described below.

RULES FOR CARE

1. Keep the tiller/cultivator clean. Remove debris from it after each use and before storage.
2. Regular and proper cleaning will help ensure safe use and prolong the life of the tiller/cultivator.
3. Inspect the tiller/cultivator before each use for worn and damaged parts. Do not operate it if you find broken and worn parts.

GENERAL CLEANING

1. Clean the tiller/cultivator with a dry cloth. Use a brush for areas that are hard to reach.
2. In particular clean the air vents after every use with a cloth and brush.
3. Remove stubborn dirt with high pressure air (max. 3 bar/40 psi).

 **NOTE: Do not use chemical, alkaline, abrasive or other aggressive detergents or disinfectants to clean this tiller/cultivator as they might be harmful to its surfaces. Do not use cleaning fluids or solvents or spray the machine down with water (especially water under pressure) when cleaning the tiller/cultivator.**

4. Check for worn or damaged parts. Replace worn parts as necessary or contact the Mantis customer service center at 1-800-366-6268 for assistance before using the tiller/cultivator again.

UNDERSIDE AND TINES

1. Keep the underside and tines clean and free of debris. Remove soil with a proper brush or tool.
2. All nuts and bolts must be checked periodically for tightness before operation. After prolonged use, especially in sandy soil conditions, the tines will become worn and lose some of the original shape. Tilling efficiency will be reduced and the tines should be replaced.
3. Have worn or damaged tines replaced with new ones of the same type.
4. To prolong the life span of tines and the tiller/cultivator it is recommended that the tines are lubricated after each use.

WARNING

Always switch the tiller/cultivator off, wait for moving parts to stop, remove the battery and let the tiller/cultivator cool down before performing inspection, maintenance and cleaning work!

WARNING

Only perform repairs and maintenance work according to these instructions! All further works must be performed by a qualified specialist!

WARNING

Wear protective gloves when working on the tiller/cultivator or close to it! Use proper tools to remove debris, e. g. a wooden stick! Never use your bare hands!

CAUTION!

Moving parts will continue to run for several seconds after turning off the machine. Wait until the tines have completely stopped before lifting the tiller/cultivator or conducting inspection and maintenance.

Cordless Tiller/Cultivator Maintenance

REPAIR

The motor transmission and electronics on this tiller/cultivator cannot be repaired by the consumer, only those repairs noted in this manual and/or on our website are recommended. For assistance contact the Mantis customer service center at 1-800-366-6268.

SPARE PARTS/REPLACEMENT PARTS

The following parts of this product may be replaced by the consumer. Spare parts are available through Mantis customer service.

Description	Model Number
Tine	8440-990101-01
Lock Nut M8 x 8mm high	8NH-08D
Hex Head Bolt M8 x 40mm long, 8.8 Grade.	8SFDD08-40D

! WARNING

Always use only original Mantis replacement parts. The use of any unauthorized replacement parts, attachments or accessories can be dangerous and could cause injury or mechanical damage.

MAINTENANCE

Before and after each use, check the tiller/cultivator for wear and damage. If required, exchange worn or damaged parts for new ones as described in this instruction manual. Observe the technical requirements.

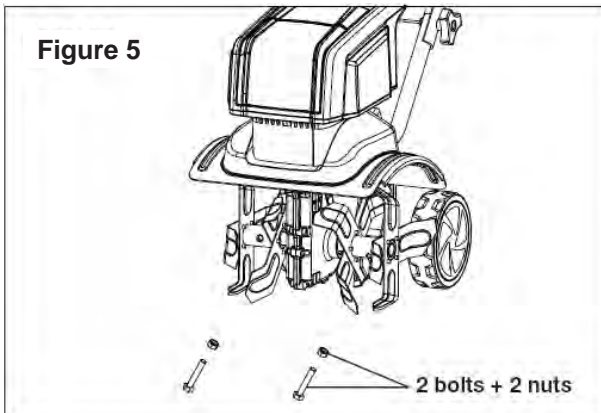
1. Follow the maintenance and repair instructions for this tiller/cultivator. Never carry out any modifications of this product. Information about maintenance and repair is provided in this user manual.
2. Keep all nuts, bolts and screws tight to ensure the tiller/cultivator is in safe working condition.
3. Make sure that air vents are not covered with debris
4. Replace worn or damaged parts for safe operation.
5. Be sure that tines are clear and can rotate freely – Accumulation of debris around the tines could impair performance or damage the motor. Inspect and clean the area around the tines before every use.

CHANGING THE TINES

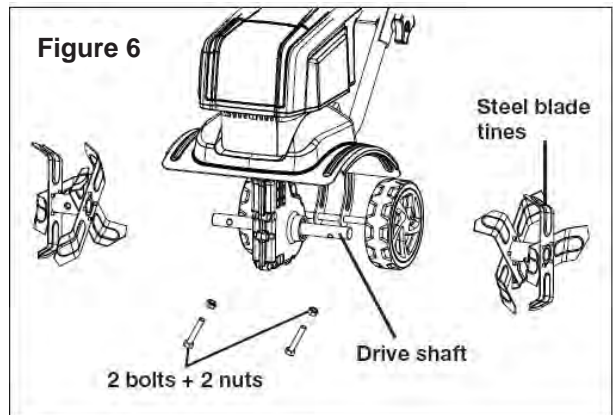
NOTE: The tiller/cultivator is fitted with four tilling tines that can easily be changed in pairs. Always change both tine pairs at the same time to avoid imbalance and damage to the machine.

To replace the tines, follow the steps below:

1. While standing on a flat and stable surface, switch off the unit, wait for moving parts to stop and remove the battery.
2. Remove the 2 bolts and 2 nuts, then remove the steel tines (Figure 5).



3. Clean the drive shaft
4. Place the new tines onto the drive shaft so that the holes on the tine hub line up with the holes on the drive shaft.
5. Insert the 2 bolts through the holes and secure them with the 2 nuts (Figure 6).



IMPORTANT: The tines must be set in the correct turning direction. Note the way the old tines came off and replace the new ones exactly the same way.

Cordless Tiller/Cultivator Maintenance & Storage

VIBRATION AND NOISE REDUCTION

To reduce the impact of noise and vibration emission, limit the time of operation, as well as wear personal protective equipment.

Take the following points into account to minimize the vibration and noise exposure risks:

1. Only use the tiller/cultivator as intended by its design and these instructions.
2. Ensure that the tiller/cultivator is in good condition and well maintained.
3. Use correct tines and ensure they are in good condition.
4. Keep tight grip on the handle grips.
5. Maintain this tiller/cultivator in accordance with these instructions and keep tines well lubricated.
6. Plan your work schedule to spread product use across a longer period of time.

RESIDUAL RISKS

Even if you are operating this tiller/cultivator in accordance with all the safety requirements, potential risks of injury and damage remain. The following dangers can arise in connection with the use of this product:

1. Health defects resulting from vibration emission if the product is being used over long periods of time or not properly managed and maintained.
2. Injuries and damage to property due to broken components or the sudden impact of hidden objects during use.
3. Danger of injury and property damage caused by thrown objects.

WARNING

This tiller/cultivator produces an electromagnetic field during operation! This field may under some circumstances interfere with active or passive medical implants! To reduce the risk of serious or fatal injury, we recommend persons with medical implants to consult their doctor and the medical implant manufacturer before operating this product!

STORAGE

1. Switch the product off, wait for moving parts to stop and remove the battery from the tiller/cultivator.
2. Clean the tiller/cultivator as described above.
3. Store the tiller/cultivator in a sheltered, dry, frost-free, well-ventilated place.
4. When not in use, the tiller/cultivator should be stored indoors in a dry and high or locked-up place out of the reach of children. Store the charger and your cordless tool only in dry locations with an ambient temperature of 50-104°F (10-40°C). Store your lithium-ion battery pack in a cool, dry place at a temperature of 50-68°F (10-20°C). Protect the battery pack, charger and cordless tool from humidity and direct sunlight. Only place fully charged batteries in storage (charged to at least 40%).
5. We recommend using the original package for storage or covering the tiller/cultivator with a suitable tarp or enclosure to protect it against dust.
6. You can store your tiller/cultivator with the handles in an extended position or folded down (Figure 7). Loosening handle knobs will allow the handles to fold down as shown.

TRANSPORTATION

1. Switch the tiller/cultivator off, wait for moving parts to stop and remove the battery.
2. Attach transportation guards, if applicable.
3. Always carry the tiller/cultivator by its transportation handle.
4. Protect the tiller/cultivator from any heavy impact or strong vibrations which may occur during transportation in vehicles.
5. Secure the tiller/cultivator to prevent it from slipping or falling over.

Figure 7



Cordless Tiller/Cultivator Troubleshooting

Troubleshooting

Suspected malfunctions are often due to causes that users can fix themselves. Therefore check malfunctions using this section. In most cases the problem can be solved quickly.

WARNING

Only perform the steps described within these instructions! All further inspection, maintenance and repair work must be performed by an authorized service center or a similarly qualified specialist if you cannot solve the problem yourself! For assistance contact the Mantis customer service center at 1-800-366-6268.

Problem	Cause	Remedy
1. Tiller/cultivator does not start	1.1. Battery is not correctly inserted 1.2. Motor terminals or capacitor disconnected 1.3. Battery is empty 1.4. Excessive working depth	1.1. Remove the battery and reinsert 1.2. Check by a specialist electrician 1.3. Charge the battery 1.4. Reduce the working depth
2. Tiller/cultivator does not reach full power	2.1. Battery has too low voltage 2.2. Air vents are blocked	2.1. Recharge the battery 2.2. Clean the air vents
3. Unsatisfactory result	3.1. Tines are dull/damaged 3.2. Tines not suitable for ground material	3.1. Replace with new tines 3.2. Use product only on suitable ground
4. Excessive vibration or noise	4.1. Tines are dull/damaged 4.2. Bolts/nuts are loose	4.1. Replace with new tines 4.2. Tighten bolts/nuts
5. The battery pack does not charge properly	5.1 No power to the outlet. 5.2 Charger contacts are clogged with debris or shorted with foreign material 5.3 Abnormal Temperature. The battery pack is either too hot or too cold	5.1 Make sure that the outlet is not turned off. 5.2 Clean charger contacts 5.3 Move the charger and battery pack to a location having room temperature Once the pack is within the acceptable range, normal charging will take place



RECYCLING AND DISPOSAL

The product comes in a package that protects it against damage during shipping. Keep the package until you are sure that all parts have been delivered and the product functions properly. Recycle the package afterwards.

WEEE symbol. Waste electrical products should not be disposed of with household waste. Please recycle where facilities exist. Check with your Local Authority or local store for recycling advice.



LIMITED WARRANTY

MANTIS extends this limited warranty against defects in material and workmanship for a period of two (2) years from the date of purchase by the original purchaser.

MANTIS will repair or replace, at its option, any part or parts of the product found to be defective in material or workmanship during the warranty period. Warranty repairs and replacements will be made without charge for parts or labor. All parts replaced under warranty will be considered as part of the original product, and any warranty on the replaced parts will expire coincident with the original product warranty. If you think your MANTIS TILLER/CULTIVATOR is defective in material or workmanship, please contact our Customer Service Department at 1-800-366-6268 or via our Contact Us page on www.mantis.com

Mantis

1028 Street Road
Southampton, PA 18966
USA

You are responsible for pickup and delivery charges; the product must be returned to us postage paid.

MANTIS assumes no responsibility in the event that the product was not assembled or used in compliance with any assembly, care, safety, or operating instructions contained in the Operator's Manual or accompanying the product. This limited warranty does not cover damages or defects due to normal wear and tear, lack of reasonable and proper maintenance, failure to follow operating instructions or owner's manual, misuse, lack of proper storage or accidents or routine maintenance parts and service. This limited warranty shall not be effective if your MANTIS TILLER/CULTIVATOR has been subjected to negligence or has been repaired or altered by anyone other than an authorized dealer or authorized service center.

You must maintain your MANTIS TILLER/CULTIVATOR by following the maintenance procedures described in the owner's manual. Such routine maintenance, whether performed by you or a dealer, is at your expense.

MANTIS MAKES NO EXPRESS OR IMPLIED WARRANTIES, REPRESENTATIONS OR PROMISES EXCEPT THOSE CONTAINED HEREIN. THERE ARE NO OTHER WARRANTIES, INCLUDING WARRANTIES OF MERCHANTABILITY AND FITNESS FOR A PARTICULAR PURPOSE. ALL WARRANTIES OTHER THAN THE EXPRESS WARRANTY SET FORTH ABOVE ARE SPECIFICALLY DISCLAIMED. THE DURATION OF ANY IMPLIED WARRANTY, INCLUDING MERCHANTABILITY AND FITNESS FOR A PARTICULAR PURPOSE, IS LIMITED TO THE DURATION OF THIS WRITTEN LIMITED WARRANTY. MANTIS DISCLAIMS ALL LIABILITY FOR INDIRECT, INCIDENTAL AND/OR CONSEQUENTIAL DAMAGES IN CONNECTION WITH THE USE OF THE MANTIS PRODUCTS COVER BY THIS WARRANTY. SOME STATES DO NOT ALLOW LIMITATIONS ON HOW LONG AN IMPLIED WARRANTY LASTS AND/OR DO NOT ALLOW THE EXCLUSION OR LIMITATION OF INCIDENTAL OR CONSEQUENTIAL DAMAGES, SO THAT ABOVE LIMITATIONS AND EXCLUSIONS MAY NOT APPLY TO YOU. THIS WARRANTY GIVES YOU SPECIFIC LEGAL RIGHTS, AND YOU MAY ALSO HAVE OTHER RIGHTS WHICH VARY FROM STATES TO STATE.

Specifications, descriptions and illustrative material in this literature are as accurate as known at the time of publication, but are subject to change without notice.



Motobêche-bineuse à batterie



3558

MAN 430200

Rév. B 4-10-18

**Operator's Manual and Safety Instructions for Cordless Tiller/Cultivator
Original Operating Instructions**

**Manuel de l'utilisateur et consignes de sécurité pour la motobêche-bineuse à batterie
Traduction des instructions originales**



Bienvenue dans le monde du jardinage Mantis

MESSAGE IMPORTANT

Nous vous remercions d'avoir choisi cette motobêche-bineuse Mantis. Vous avez acheté un produit de classe mondiale, de conception et de fabrication quasiment sans égales.

Ce manuel de l'utilisateur contient des instructions de sécurité. La durée utile et le bon emploi de cette machine dépendent en grande partie de la manière dont vous avez lu et compris ce manuel. Veillez au bon entretien de cette machine, à la graisser et la régler comme indiqué et elle vous offrira de nombreuses années de service fiable.

Mantis conçoit et développe ses produits dans le souci constant de la sécurité de ses utilisateurs.

Nous intégrons de nombreux dispositifs de sécurité mais comptons aussi sur votre bon sens et votre attention pour éviter les accidents. Pour assurer une protection optimale, lisez le manuel avec attention. Apprenez à utiliser correctement toutes les commandes. Observez toutes les mesures de sécurité. Respectez toutes les instructions et mises en garde. Ne démontez ou ne désactivez aucun des dispositifs de sécurité. Assurez-vous que tous les utilisateurs de la machine sont aussi bien informés et prudents dans son emploi que vous.

Les produits développés et fabriqués par Mantis son conçus pour offrir de nombreuses années de service. Afin d'en profiter le plus longtemps possible, utilisez impérativement cette machine conformément aux instructions du manuel, maintenez-la en bon état et respectez toutes les mises en garde et consignes de sécurité. Vous ne le regretterez jamais.

ENREGISTREMENT DU PRODUIT

**CE PRODUIT MANTIS PEUT ÊTRE
ENREGISTRÉ EN LIGNE À :
SCHILLERGC.COM/REGISTER**

**Schiller Grounds Care, Inc.
1028 Street Road**

**Southampton, PA 18966-4217 États-Unis
TÉLÉPHONE (800) 366-6268 • TÉLÉCOPIEUR (215) 956-3855**

TABLE DES MATIÈRES

RÈGLES DE SÉCURITÉ ET AVERTISSEMENTS

Informations spéciales sur la sécurité	3
Sécurité et avertissements	3
Identification des autocollants de sécurité	3-4
Sécurité et avertissements	4-5
Consignes de sécurité concernant la batterie et le chargeur	5-6
Situation d'urgence	6

ASSEMBLAGE

Pièces de la motobêche-bineuse	7
Caractéristiques techniques	8
Avant de commencer	9
Assemblage	9-10
Informations sur la batterie	10
Indicateur de niveau de charge de la batterie	10
Informations sur le chargeur	11-12

Charger une batterie chaude ou froide	12
Mise en place de la batterie	12
FONCTIONNEMENT	13
Emploi prévu	13
Réglage des roues	13
Mise en marche et à l'arrêt	13
Fonctionnement général	14
Binage	14

SOINS	15
ENTRETIEN	16
ENTREPOSAGE	17
DÉPANNAGE	18
RECYCLAGE ET ÉLIMINATION	18
GARANTIE LIMITÉE	COUVERTURE ARRIÈRE




Ce manuel de l'utilisateur fait partie intégrante de la machine. Les fournisseurs de machines neuves et d'occasion doivent s'assurer que ce manuel est remis avec la machine. CES INSTRUCTIONS VISENT À LA SÉCURITÉ DES UTILISATEURS. VEILLER À LES LIRE AVEC ATTENTION AVANT UTILISATION ET À LES CONSERVER POUR TOUTE RÉFÉRENCE ULTÉRIEURE.

Règles de sécurité et avertissements

Le présent manuel de l'utilisateur contient un certain nombre de règles de sécurité et d'avis importants. Pour la protection de tous, veiller à bien comprendre et respecter ces mises en garde et toutes les instructions.

I. INFORMATIONS SPÉCIALES SUR LA SÉCURITÉ

AVERTISSEMENT

Attention : Ce symbole attire l'attention sur d'importantes consignes de sécurité. Lorsque ce symbole est présent,  respecter la mise en garde! Rester vigilant!

AVERTISSEMENT

Pour réduire les risques d'accident, respecter les consignes de sécurité figurant dans ce manuel. Le non-respect de ces consignes peut entraîner des dommages corporels et matériels graves.

II. SÉCURITÉ ET AVERTISSEMENTS

AVERTISSEMENT

Pour écarter les risques de blessure grave, utiliser et entretenir cette motobêche-bineuse comme il se doit et porter une protection adaptée. Lire et comprendre les consignes de sécurité et toutes les instructions de ce manuel. Porter une protection auditive et oculaire, des chaussures antidérapantes adaptées, un couvre-chef pour contenir des cheveux longs et des gants de protection.

AVERTISSEMENT

Avvertissement Proposition 65 de CALIFORNIE
Les cosse de batterie, bornes, gaines de fils et accessoires associés contiennent du plomb et des composés de plomb déclarés par l'État de la Californie responsables de cancer, malformations congénitales et autres anomalies de la reproduction.
SE LAVER LES MAINS APRÈS MANIPULATION

III. IDENTIFICATION DES AUTOCOLLANTS DE SÉCURITÉ

Les symboles et abréviations suivants sont visibles sur le produit, sur l'étiquette signalétique et dans ce manuel. Veiller à se familiariser avec eux afin réduire les risques de blessures corporelles et de dégâts matériels.



Verrouiller / pour serrer ou attacher.



Déverrouiller / pour desserrer.



Note / Remarque.



Attention / Avertissement.



Lire le manuel d'instructions.



Porter une protection auditive.



Porter des lunettes de protection.



Porter un masque antipoussière.



Porter des gants de protection.



Porter des chaussures de protection antidérapantes.



Porter des vêtements de protection serrés.



Ne pas exposer la motobêche-bineuse à la pluie ou à l'humidité.



Travailler perpendiculairement à la pente, jamais en montée ou en descente.

III. IDENTIFICATION DES AUTOCOLLANTS DE SÉCURITÉ (SUITE)



Contrôler la zone où la motobêche-bineuse doit être utilisée et enlever tous les objets susceptibles d'être projetés par la machine. Si des objets sont dissimulés durant l'utilisation, arrêter le moteur, attendre l'arrêt complet des pièces en mouvement et enlever l'objet.



Les objets projetés par la motobêche-bineuse peuvent heurter l'utilisateur ou d'autres personnes présentes. Toujours maintenir les autres personnes et animaux à une distance sûre de la motobêche-bineuse lorsqu'elle est en marche. En règle générale, les enfants ne devront pas s'approcher de l'endroit où la motobêche-bineuse est utilisée ou entreposée.



Les fraises continuent de tourner après la mise hors tension de la motobêche-bineuse. Attendre l'arrêt complet de toutes les parties de la machine avant de toucher la motobêche-bineuse.



Faire preuve d'attention particulière en travaillant sur les fraises de binage ou à proximité!



Tenir les mains et les pieds à l'écart des pièces rotatives tranchantes ; danger de blessure! Lors du nettoyage, des réparations et des contrôles, s'assurer que la motobêche-bineuse et toutes les pièces mobiles sont à l'arrêt complet.



Le niveau de puissance acoustique garanti est de 93 dB.



Symbole WEEE. Les appareils électriques en fin de vie ne doivent pas être jetés avec les déchets ménagers. Veiller à les recycler là où ce service existe. Obtenir des conseils en matière de recyclage auprès des autorités locales ou du revendeur local.



Utiliser à l'intérieur seulement. Utiliser le chargeur de batterie à l'intérieur seulement.



AVERTISSEMENT

Pour écarter les risques blessures graves à soi-même et aux autres et de dégâts matériels, veiller à utiliser la motobêche-bineuse de façon correcte et à respecter les consignes de sécurité. Lire et comprendre ce manuel avant de tenter d'utiliser la motobêche.



ATTENTION!

Les pièces en mouvement continuent de tourner pendant plusieurs secondes après la mise à l'arrêt de la motobêche-bineuse. Attendre que les fraises soient à l'arrêt complet avant de soulever la motobêche-bineuse ou de procéder à son contrôle et son entretien.



AVERTISSEMENT

Certaines poussières et débris produits par l'utilisation de l'outil peuvent contenir des substances chimiques déclarées par l'État de la Californie responsables de cancer, malformations congénitales ou autres anomalies de la reproduction. Il peut notamment s'agir des substances chimiques suivantes :

- Composés chimiques dans les engrais
- Composés dans les insecticides, herbicides et pesticides
- Arsenic et chrome provenant de bois d'œuvre traité

Le risque associé à l'exposition à ces produits varie et dépend de la fréquence de ce type de travail. Pour réduire l'exposition, veiller à travailler dans un endroit bien aéré et avec un équipement de sécurité homologué, notamment un masque à poussière spécialement conçu pour filtrer les particules microscopiques.

IV. AVERTISSEMENTS :

Lire les instructions avec attention. Veiller à se familiariser avec les commandes et la bonne utilisation du produit.

1. Ne jamais permettre aux enfants ni aux personnes n'ayant pas pris connaissance de ces instructions d'utiliser la motobêche-bineuse. La réglementation locale peut imposer des restrictions relatives à l'âge de l'utilisateur.
2. Tenir les enfants, les autres personnes et les animaux à l'écart – Toutes les personnes présentes, ainsi que les animaux doivent se tenir à une distance sûre de la zone de travail.
3. Garder à l'esprit que l'utilisateur est responsable des accidents ou des dangers qu'il fait courir aux personnes ou à aux biens.
4. Porter une tenue adaptée – Toujours porter des chaussures antidérapantes adaptées et un pantalon long durant l'utilisation. Ne pas utiliser le produit pieds nus ou avec des sandales
- ouvertes. Ne pas de bijoux ou de vêtements amples car ces articles peuvent être happés par les pièces en mouvement. Porter un couvre-chef pour contenir des cheveux longs. Le port de gants de protection est recommandé pour travailler à l'extérieur. Utiliser des lunettes de sécurité et une protection auditive.
5. Contrôler avec soin la zone où la motobêche-bineuse doit être utilisée et enlever tous les objets susceptibles d'être projetés par la machine. Les objets projetés peuvent provoquer des blessures corporelles et dégâts matériels graves. Ne laisser personne se tenir devant une motobêche-bineuse en marche.
6. Avant utilisation, toujours vérifier visuellement l'absence d'usure et de dommages des fraises, des boulons de fixation de fraises et de l'ensemble de coupe. Changer les fraises et boulons usés ou endommagés par jeu complet pour maintenir l'équilibre.
7. Entretien de la motobêche-bineuse avec soin – Maintenir les arêtes tranchantes bien propres pour assurer un rendement optimal et réduire le risque de blessure. Contrôler la batterie régulièrement et la changer immédiatement si elle est endommagée. Garder les poignées sèches, propres et exemptes d'huile et de graisse. Respecter les recommandations supplémentaires figurant dans la section Entretien du présent manuel.
8. Éviter les démarrages accidentels – Ne pas porter la motobêche-bineuse avec le doigt sur

IV. AVERTISSEMENTS (SUITE)

- l'interrupteur. S'assurer que l'interrupteur est en position d'arrêt avant de mettre la batterie en place ou de la retirer.
9. Retirer la batterie de la motobêche-bineuse lorsqu'elle n'est pas utilisée.
 10. Pièces en mouvement – Garder les mains et les pieds à l'écart des pièces en mouvement. Maintenir les protections en place et en bon état de marche.
 11. Ne pas forcer sur la motobêche-bineuse – Elle fonctionne mieux et présente moins de risques de blessures ou de dégâts mécaniques si elle est utilisée à la vitesse pour laquelle elle est conçue.
 12. Rester d'aplomb – Maintenir en permanence un pied ferme et un bon équilibre.
 13. Sur les machines à plusieurs outils, faire preuve de précaution car la mise en rotation de l'une des fraise peut entraîner la rotation des autres.
 14. Maintenir la zone de travail propre et bien éclairée – Les endroits sombres et encombrés sont propices aux accidents. Ne travailler qu'à la lumière du jour ou sous une bonne lumière artificielle.
 15. Toujours garder le pied ferme dans les pentes.
 16. Marcher, ne jamais courir avec la motobêche-bineuse.
 17. Travailler perpendiculairement à la pente, jamais en montée ou en descente.
 18. Faire preuve de grande prudence pour changer de direction dans une pente.
 19. Ne pas travailler sur des pentes excessivement abruptes.
 20. Faire preuve de grande prudence lors des changements de sens ou en tirant la machine vers soi.
 21. Démarrer le moteur avec précaution, en conformité avec les instructions du fabricant et en gardant les pieds bien à l'écart des fraises en mouvement.
 22. Ne pas placer les mains ni les pieds en dessous ou à proximité d'une pièce en rotation.
 23. Ne jamais soulever ni porter une motobêche-bineuse avec le moteur en marche.
 24. Ne jamais utiliser la motobêche-bineuse avec des écrans ou capots de protection défectueux ni sans dispositifs de sécurité, tels que déflecteurs ou récepteurs, en place.
 25. Arrêter la motobêche-bineuse et retirer la batterie. S'assurer que toutes les pièces mobiles sont à l'arrêt complet...
 - avant de désobstruer ou de changer les fraises.
 - avant de contrôler, de nettoyer, d'entretenir ou de travailler sur la machine.
 - après avoir heurté un objet étranger. Contrôler l'état de la motobêche-bineuse et effectuer les réparations nécessaires avant de la redémarrer et de l'utiliser.
 - chaque fois que l'on laisse la motobêche-bineuse. Ne jamais laisser la motobêche-bineuse en marche sans surveillance.
 26. Si la motobêche-bineuse commence à vibrer anormalement, l'éteindre, attendre l'arrêt complet des pièces en mouvement et l'inspecter immédiatement :
 - contrôler l'état,
 - contrôler le serrage et serrer les pièces desserrées.
 - changer ou réparer toute pièce endommagée
 27. Entreposer la motobêche-bineuse inutilisée à l'intérieur – Lorsqu'elle n'est pas utilisée, la motobêche-bineuse, avec sa batterie et son chargeur, devra être rangée à l'intérieur dans un endroit sec et en hauteur ou verrouillé hors de la portée des enfants.
 28. Éviter les conditions dangereuses – Ne pas utiliser la motobêche-bineuse sous la pluie ni dans des endroits humides ou mouillés. Ne pas faire fonctionner la motobêche-bineuse dans des atmosphères inflammables ou explosives ni l'utiliser à proximité de liquides inflammables ou combustibles. Le moteur de ce type d'outil produit généralement des étincelles qui peuvent enflammer les vapeurs.
 29. Protéger le chargeur de batterie de l'humidité et de la pluie. L'humidité et la pluie peuvent provoquer des dommages dangereux des éléments accumulateurs. Ne pas utiliser le chargeur de batterie à proximité de vapeurs ou liquides inflammables ou combustibles.
 30. Vérifier qu'il n'y a pas de pièces endommagées – Avant de réutiliser la motobêche-bineuse, contrôler avec soin tout capot de protection ou autre pièce endommagée pour s'assurer qu'il fonctionnera correctement et remplira la fonction prévue. Vérifier que les pièces en mouvement sont alignées et non grippées, qu'il n'y a aucune pièce ou fixation cassée ni aucun autre problème susceptible d'entraver son bon fonctionnement. Tout capot de protection ou autre pièce endommagée devront être réparés ou changés comme il se doit.
 31. Pour réduire le risque d'incendie, éviter toute accumulation d'herbes, de feuilles ou de graisse sur la motobêche-bineuse.
 32. Le carter du moteur reste chaud pendant une courte période après la mise à l'arrêt de la motobêche-bineuse. Laisser le carter du moteur refroidir complètement avant de le toucher ou de le placer à proximité de matières combustibles.
 33. Ne pas utiliser à proximité de câbles électriques, conduites téléphoniques, canalisations ou tuyaux enterrés. En cas de doute, s'adresser à la compagnie de téléphone ou de service public pour localiser les réseaux enterrés.
 34. Garder à l'esprit que la motobêche-bineuse peut bondir brusquement vers le haut ou l'avant si les fraises heurtent un obstacle enfoui tel qu'une grosse roche, des racines ou une souche.
 35. Ne pas saisir les fraises ni les arêtes tranchantes pour soulever ou tenir la motobêche-bineuse.

V. CONSIGNES DE SÉCURITÉ CONCERNANT LA BATTERIE ET LE CHARGEUR

Nous accordons une grande attention à la conception de nos batteries d'accumulateurs pour nous assurer que chacune d'elles est sûre, durable et de haute densité énergétique.

Malgré toutes ces mesures de précaution, les batteries doivent toujours être manipulées avec prudence. Veiller à lire et à respecter toutes les instructions, mises en garde et précautions afin d'assurer une utilisation sans danger. La sécurité d'utilisation ne peut être garantie que si la batterie utilisée est en bon état. Une mauvaise manipulation de la batterie peut endommager ses éléments.

⚠ AVERTISSEMENT! L'utilisation abusive et le mauvais entretien des batteries sont les principales causes de blessures corporelles et de dégâts matériels.

⚠ AVERTISSEMENT! Utiliser uniquement des batteries de rechange homologuées; les autres batteries peuvent endommager la motobêche-bineuse et provoquer des problèmes de fonctionnement pouvant entraîner des blessures graves.

⚠ ATTENTION! Pour réduire le risque de blessure, charger la batterie lithium-ion Mantis uniquement avec le chargeur Mantis fourni. Les autres types de chargeur présentent un risque

d'incendie, de blessure et de dégâts matériels. Ne pas raccorder une batterie à une prise d'alimentation électrique ou à un allume-cigare de voiture. Cela provoquerait une panne ou des dommages irréversibles de la batterie.

⚠ AVERTISSEMENT! Éviter les conditions dangereuses – Ne pas charger la batterie sous la pluie ou la neige ni dans des endroits humides ou mouillés. Ne pas utiliser la batterie ni le chargeur en présence d'une atmosphère explosive (vapeurs gazeuses, poussières ou matières inflammables) parce que la mise en place ou le retrait de la batterie peut produire des étincelles susceptibles de provoquer un incendie.

V. CONSIGNES DE SÉCURITÉ CONCERNANT LA BATTERIE ET LE CHARGEUR (SUITE)

- Charger dans un endroit bien aéré – Ne pas obstruer les événements du chargeur. Les maintenir dégagés pour permettre une ventilation suffisante. Ne pas fumer ni permettre de flamme nue près d'une batterie en cours de recharge car elle pourrait exploser.

REMARQUE : La plage de température sans danger pour charger la batterie est de -20 °C (-4 °F) à 45 °C (113 °F). Ne pas charger la batterie à l'extérieur en période de gel; la charger à l'intérieur à température ambiante.

- Bien entretenir le cordon du chargeur – Pour débrancher le chargeur, tirer la fiche, pas le cordon, de la prise de courant afin de réduire le risque d'endommager la fiche et le cordon électrique. Ne jamais transporter le chargeur par son cordon ni tirer le cordon d'un coup sec pour le débrancher de la prise de courant. Garder le cordon à l'écart de la chaleur, de flaques d'huile ou d'arêtes tranchantes. S'assurer qu'il n'y a aucun risque de marcher sur le cordon, de trébucher dessus ni de lui faire subir des dommages ou des contraintes durant l'utilisation du chargeur. Ne pas utiliser le chargeur avec un cordon ou une fiche endommagés. Remplacer immédiatement un chargeur endommagé.
- Ne pas utiliser de cordon de rallonge sauf si

cela est absolument nécessaire – L'utilisation d'un cordon de rallonge incorrect, endommagé ou inadapté présente un risque d'incendie et de choc électrique. Si un cordon de rallonge doit être utilisé, brancher le chargeur dans un cordon de calibre 16 AWG ou plus gros et dont la fiche femelle est du même type que la fiche mâle du chargeur. Vérifier que le cordon de rallonge est en bon état électrique.

- Le chargeur réf. 3505 est de type 120 Vca seulement – Le chargeur doit être branché dans une prise appropriée.
- Utiliser uniquement des accessoires recommandés, le cas échéant
 - L'utilisation d'un accessoire non recommandé ou vendu par Mantis peut présenter un risque d'incendie, de choc électrique ou de blessure corporelle.
- Débrancher le chargeur s'il n'est pas utilisé – Veiller à retirer la batterie d'un chargeur débranché.
- Ne pas brûler ni incinérer les batteries
- Ne pas écraser, faire chuter ou endommager les batteries – Ne pas utiliser la batterie ou le chargeur s'ils ont chuté, qu'ils sont passés sous des roues ou ont été autrement endommagés (percés par un clou, frappés par

un marteau, qu'on a marché dessus, etc.).

- Ne pas démonter pas la batterie – Cela présente un risque important de choc électrique, d'incendie ou d'exposition aux substances toxiques de la batterie. Si la batterie ou le chargeur sont endommagés, appeler le service après-vente Mantis au 1-800-366-6268.
- Ne pas court-circuiter – Une batterie est court-circuitée si un objet métallique produit un contact entre les bornes positive et négative de la batterie. Ne pas placer une batterie à proximité de quoi que ce soit pouvant provoquer un court-circuit, tel que trombones, pièces de monnaie, clés, vis, clous et autres objets métalliques. Une batterie court-circuitée présente un risque d'incendie et de blessure corporelle grave.
- Entreposer la batterie et le chargeur dans un endroit frais et sec – Ne pas entreposer la batterie ou le chargeur dans des endroits où la température peut dépasser 40 °C (104 °F), comme directement au soleil ou à l'intérieur d'un véhicule ou d'un abri de jardin métallique durant l'été.

AVERTISSEMENT

Pour réduire le risque de choc électrique, toujours débrancher le chargeur avant de procéder à son nettoyage ou son entretien. Pour réduire le risque de choc électrique, ne pas laisser le chargeur ou la prise secteur du chargeur se mouiller. Utiliser un disjoncteur différentiel (GFCI) pour réduire les risques de choc électrique.

AVERTISSEMENT

Les batteries peuvent exploser, provoquant des blessures corporelles ou des dégâts matériels. Des vapeurs et matières toxiques sont créées lors de la combustion des batteries.

AVERTISSEMENT

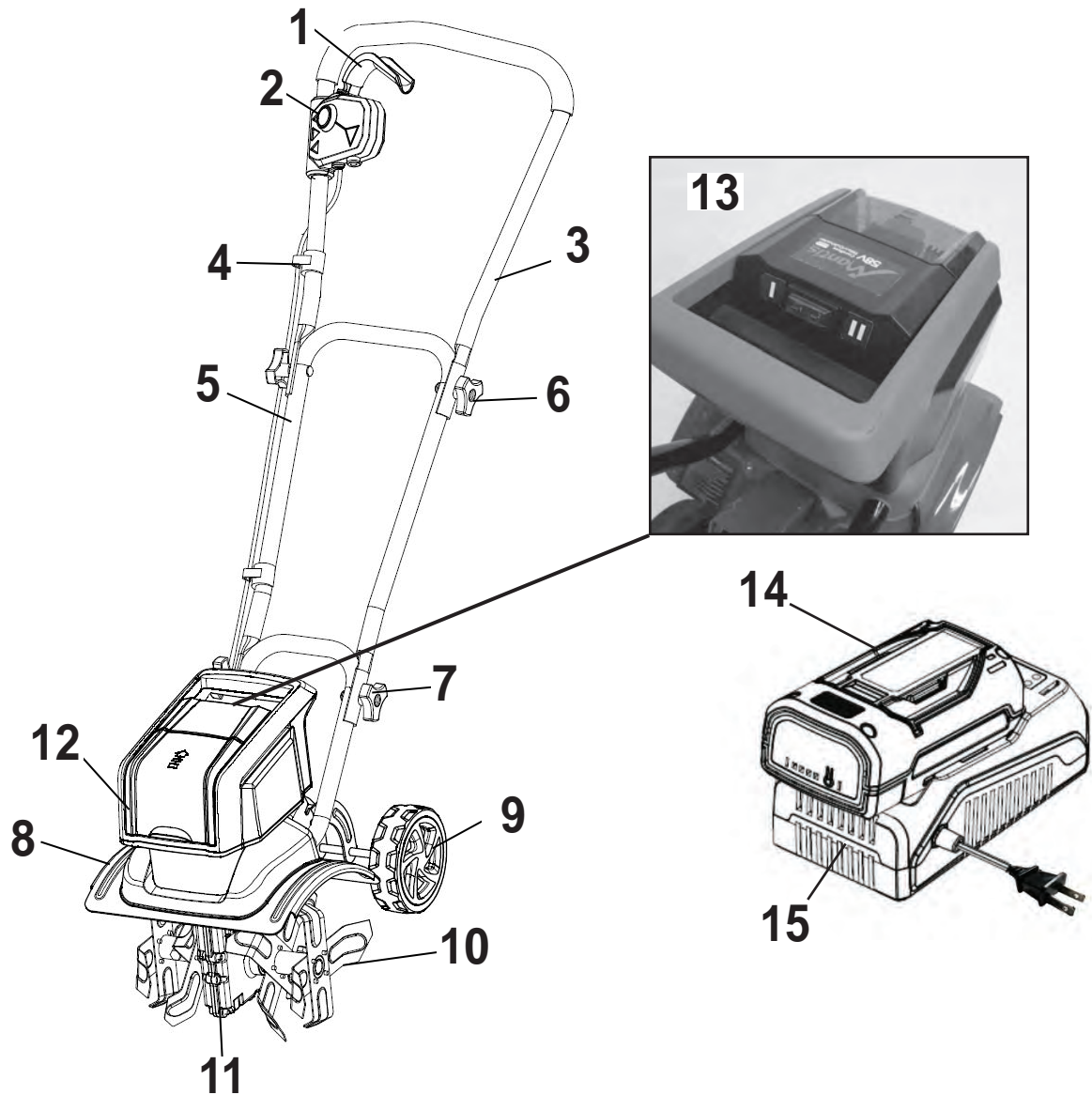
Les substances chimiques de la batterie peuvent provoquer des brûlures graves – Ne jamais laisser une batterie endommagée venir au contact de la peau, des yeux ou de la bouche. Si une batterie endommagée présente une fuite de substance chimique, porter des gants en caoutchouc ou en néoprène pour la mettre au rebut. Si la peau est exposée aux liquides de batterie, laver la surface touchée à l'eau et au savon et rincer au vinaigre. Si les yeux sont exposés aux substances chimiques de la batterie, les rincer immédiatement à l'eau pendant 20 minutes et consulter un médecin. Enlever et éliminer les vêtements contaminés.

VI. SITUATION D'URGENCE

Veiller à se familiariser avec l'utilisation de ce produit par la lecture du présent manuel d'instructions. Mémoriser les consignes de sécurité et les suivre à la lettre. Cela permettra d'écartier les risques et dangers.

1. Toujours rester vigilant lors de l'utilisation de cette motobêche-bineuse, afin de reconnaître et gérer les risques sans délai. Faire attention à ce que l'on fait. Faire preuve de bons sens. Ne pas utiliser la motobêche-bineuse dans un état de fatigue ou sous l'emprise de drogues, d'alcool ou de médicaments. Une intervention rapide peut éviter les blessures graves et les dégâts matériels.
2. Éteindre et retirer la batterie en cas de problèmes de fonctionnement. Faire contrôler la motobêche-bineuse et la batterie par un professionnel qualifié et la faire réparer, le cas échéant, avant de la remettre en service.
3. Pour toute assistance, appeler le service après-vente Mantis au 1-800-366-6268.

Pièces de la motobêche-bineuse



- | | |
|---|-------------------------------|
| 1. Interrupteur marche/arrêt | 9. Roues |
| 2. Bouton de verrouillage | 10. Fraises en acier (lames) |
| 3. Guidon supérieur | 11. Réducteur |
| 4. Bride de fixation du cordon | 12. Carter du moteur |
| 5. Guidon intermédiaire | 13. Commutateur deux vitesses |
| 6. Molette et vis du guidon supérieur (2) | 14. Batterie |
| 7. Molette et vis du guidon intermédiaire (2) | 15. Chargeur |
| 8. Garde-boue | |

Caractéristiques techniques

Tension de la batterie	58 Vcc
Capacité de la batterie	2,5 Ah
Modèle de batterie	3501-01A, 3501-02A
Modèle de chargeur	3505
Temps de charge	90 min (pleine charge)
Entrée du chargeur	100-120 Vca, 60 Hz, 145 W
Sortie du chargeur	58,8 Vcc, 2 A
Autonomie de la batterie	20 à 30 min
Puissance moteur	650 W
Nombre de vitesses de fraises	2
Vitesse de fraises I	200 tr/min +/- 10 %
Vitesse de fraises II	300 tr/min +/- 10 %
Largeur de travail	30 cm (12 po)
Profondeur de travail 200 mm (8 po)	20 cm (8 po)
Réglage de hauteur des roues	3 réglages
Poids sans la batterie	10,7 kg (23,6 lb)
Poids avec la batterie en place	12 kg (26 lb)



Les valeurs acoustiques ont été déterminées selon la norme d'essai de bruit décrite dans 2000/14/CE. Le niveau d'intensité acoustique pour l'opérateur peut dépasser 80dB(A) et des mesures de protection auditive sont nécessaires.

AVERTISSEMENT

Adopter les mesures qui conviennent pour se protéger contre l'exposition aux vibrations. Prendre en considération l'ensemble du processus de travail, y compris les périodes pendant lesquelles la motobêche-bineuse fonctionne à vide ou qu'elle est à l'arrêt. Les mesures qui conviennent comprennent notamment l'entretien et les soins courants du produit et des accessoires, le maintien des mains au chaud, des pauses régulières et une bonne planification du processus de travail.

AVANT DE COMMENCER

- Retirer les matériaux d'emballage puis déballer toutes les pièces et les poser sur une surface plane et stable.
- Vérifier que le contenu de la livraison est complet et non endommagé. Si des pièces manquent ou présentent des dommages, ne pas utiliser la motobêche-bineuse mais obtenir l'assistance du centre de service après-vente Mantis au 1-800-366-6268. L'utilisation d'une motobêche-bineuse incomplète ou endommagée représente un danger pour les personnes et les biens.
- Veiller à avoir à disposition tous les outils et accessoires nécessaires pour l'assemblage et le fonctionnement. Cela comprend notamment un équipement de protection individuelle adapté.

ASSEMBLAGE DE LA MOTOBÊCHE-BINEUSE

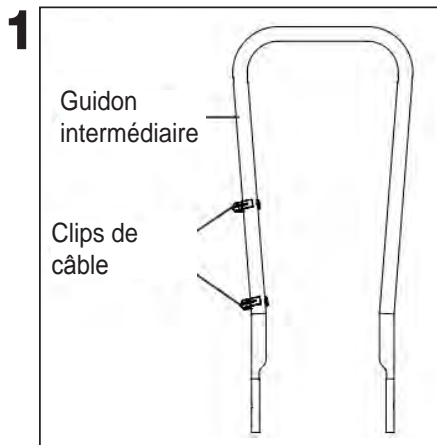
i REMARQUE : Prendre soin des petites pièces qui sont démontées durant l'assemblage ou lors des réglages. Les conserver de façon sûre pour éviter de les perdre.

! AVERTISSEMENT

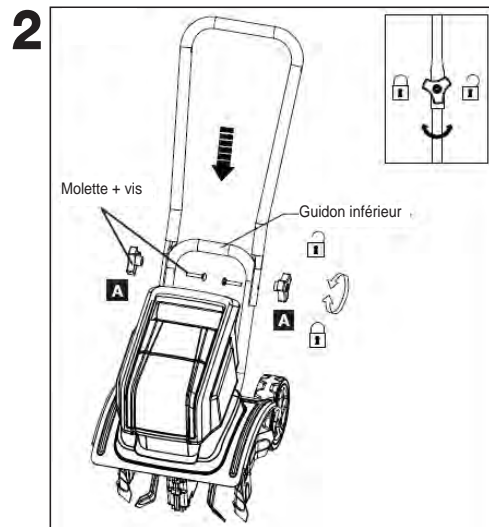
La motobêche-bineuse et l'emballage ne sont pas des jouets d'enfants! Les enfants ne doivent pas jouer avec les sachets en plastique, les feuilles et les pièces de petite taille! Ils présentent un danger d'étouffement et de suffocation!

! AVERTISSEMENT

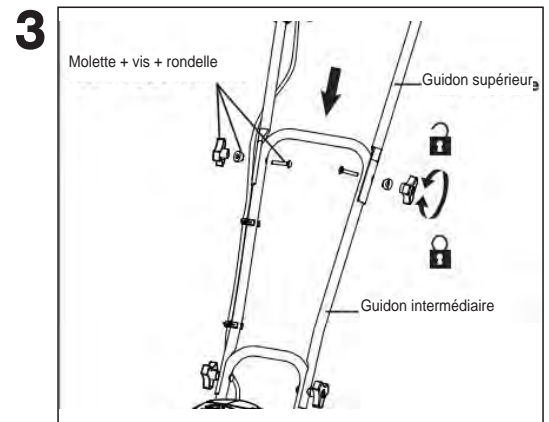
La motobêche-bineuse doit être entièrement assemblée avant utilisation! Ne pas utiliser une motobêche-bineuse qui n'est que partiellement assemblée ou qui est assemblée avec des pièces endommagées! Suivre les instructions d'assemblage pas à pas et se servir des illustrations en tant que guide visuel pour assembler la motobêche-bineuse sans difficulté! Ne pas mettre la batterie en place avant qu'elle soit complètement assemblée! Le non-respect de ces consignes peut entraîner un démarrage accidentel et des blessures corporelles graves.



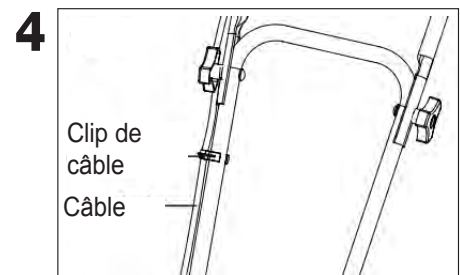
- Attacher les clips de câble au guidon intermédiaire



- Attacher le guidon intermédiaire au guidon inférieur à l'aide du premier jeu de molettes, vis et rondelles en plastique. Serrer les molettes des deux côtés pour assurer un assemblage solide.



- Attacher le guidon supérieur au guidon intermédiaire à l'aide du deuxième jeu de molettes, vis et rondelles en plastique. Serrer les molettes des deux côtés pour assurer un assemblage solide.



- Attacher le câble à l'aide des clips de câble.

! AVERTISSEMENT

S'assurer que toutes les molettes du guidon sont bien serrées avant d'utiliser le produit.

INFORMATIONS SUR LA BATTERIE

La motobêche-bineuse est fournie avec une batterie 58 V étanche sans entretien.

- Les batteries lithium-ion sont sujettes à un processus naturel de vieillissement. La batterie doit être changée au plus tard lorsque sa capacité chute à seulement 80 % de sa capacité à l'état neuf. Les éléments affaiblis dans une batterie ancienne ne sont plus capables de fournir la charge électrique élevée nécessaire au bon fonctionnement de la motobêche-bineuse et présentent donc un risque pour la sécurité.
- Ne pas enflammer une batterie ni l'exposer au feu car cela présente un risque d'explosion.
- Ne pas décharger les batteries complètement. La décharge complète endommage les éléments de la batterie. La cause la plus fréquente d'une décharge complète est l'inutilisation ou l'entreposage prolongés d'une batterie partiellement déchargée. Arrêter le travail dès que le rendement de la batterie baisse de façon notable ou si la protection antisurcharge de la motobêche-bineuse s'est déclenchée. Entreposer la batterie uniquement après l'avoir complètement chargée.
- Protéger les batteries et l'outil contre les surcharges. Les surcharges provoquent rapidement une surchauffe et des dommages aux éléments accumulateurs à l'intérieur du boîtier de batterie, même si cette surchauffe n'est pas apparente à l'extérieur.
- Éviter les dommages et les chocs. Changer immédiatement les batteries qui ont chuté d'une hauteur de plus d'un mètre (3 pi environ) ou celle qui ont été exposées à des chocs violents, même

INDICATEUR DE NIVEAU DE CHARGE DE LA BATTERIE

La batterie fournie avec la motobêche-bineuse n'est que partiellement chargée. La batterie doit être complètement chargée avant la première utilisation de la motobêche-bineuse.

La batterie comporte un bouton-poussoir (repère A) pour vérifier son niveau de charge. Il suffit d'appuyer sur ce bouton pour faire afficher le niveau de charge par les voyants de l'indicateur de batterie (repère B).

- Les 4 voyants sont allumés : La batterie est complètement chargée et prête à l'emploi.
- 3 ou 2 voyants sont allumés : La batterie a une charge restante intermédiaire.
- 1 voyant clignotant : La batterie est vide, éteindre la motobêche-bineuse et recharger la batterie immédiatement. Sinon, cela réduirait de beaucoup la durée de service de la batterie

La batterie doit être chargée dans un endroit frais et sec. Pour améliorer la durée de service, entreposer la batterie à l'intérieur dans un endroit climatisé. Recharger complètement la batterie tous les 3 mois. On notera que 2 ou 3 cycles initiaux de charge-décharge peuvent être nécessaires avant d'obtenir une autonomie ou capacité maximale.

Prévoir au moins deux (2) heures de temps de charge avant la première utilisation de la motobêche-bineuse. Une fois complètement chargée, la batterie peut être entreposée sans danger pendant au moins un mois avant qu'il soit nécessaire de la recharger.

REMARQUE : Si les voyants ne s'allument pas lorsqu'on appuie sur le bouton de niveau de charge (rep. A), mettre la batterie dans la chargeur et la charger comme il se doit.

Utiliser les voyants indicateurs de charge de la batterie pour déterminer à quel moment recharger la batterie lithium-ion Mantis.

Il est possible de « compléter » la charge de la batterie avant de démarrer un travail important ou après une longue journée d'utilisation.

⚠ AVERTISSEMENT

La motobêche-bineuse doit être utilisée uniquement avec les batteries lithium-ion de la série Mantis!

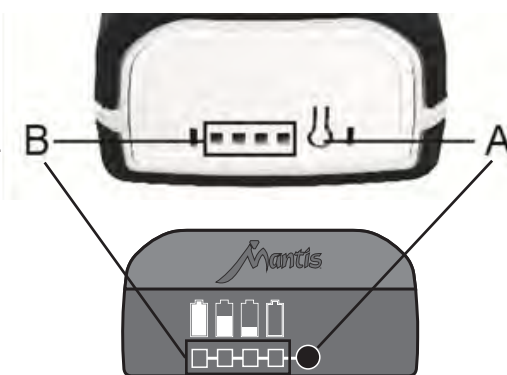
⚠ AVERTISSEMENT

Si tous les voyants clignotent, c'est que la batterie a subi une décharge complète et qu'elle est défectueuse. Ne pas utiliser ni charger une batterie défectueuse!

si le boîtier de la batterie ne semble pas endommagé. Les éléments accumulateurs à l'intérieur de la batterie peuvent avoir souffert de graves dommages. Dans ces situations, lire les informations sur l'élimination des déchets afin d'éliminer les batteries comme il se doit.

- Si la batterie subit une surcharge ou une surchauffe, la protection antisurcharge intégrée coupe l'alimentation de la motobêche-bineuse pour des raisons de sécurité.

⚠ ATTENTION! Ne pas continuer d'appuyer sur l'interrupteur Marche/Arrêt si la protection antisurcharge s'est déclenchée. Cela peut endommager la batterie.



INFORMATIONS SUR LE CHARGEUR

AVERTISSEMENT

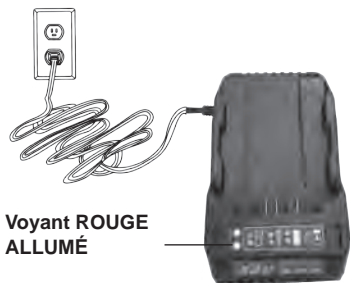
Utiliser uniquement des batteries lithium-ion Mantis avec la motobêche-bineuse Mantis. Charger la batterie lithium-ion Mantis avec le chargeur Mantis fourni seulement. Les autres types de batteries peuvent provoquer des blessures corporelles et des dégâts matériels. Pour réduire le risque de choc électrique, ne pas laisser le chargeur ou la prise secteur du chargeur se mouiller.

- Vérifier les données figurant sur la plaque signalétique du chargeur de batterie. Veiller à brancher le chargeur de batterie sur une alimentation électrique conforme à la tension indiquée sur la plaque signalétique. Ne jamais le brancher sur une tension secteur différente.
- Protéger le chargeur de batterie et son cordon contre les dommages. Garder le chargeur et son cordon à l'abri de la chaleur, de l'huile et des arêtes tranchantes. Si la batterie ou le chargeur sont endommagés, appeler le service après-vente Mantis au 1-800-366-6268.
- La fiche électrique doit correspondre à la prise. Ne jamais modifier la fiche de quelle que façon que ce soit. Ne pas utiliser de fiches d'adaptation. Les fiches d'origine et les prises appropriées réduisent le risque de décharge électrique.
- Conserver le chargeur de batterie, la ou les batteries et la motobêche-bineuse hors de la portée des enfants.
- Ne pas utiliser le chargeur de batterie fourni pour charger des outils à batterie autres que Mantis.
- Durant les périodes d'utilisation intensive, la batterie a tendance à s'échauffer. Laisser la batterie refroidir jusqu'à la température ambiante avant de la placer dans le chargeur pour la recharger.
- Ne pas surcharger les batteries. Ne pas dépasser les temps de charge maximaux. Ces temps de charge s'appliquent uniquement aux batteries déchargées. Toujours débrancher le chargeur lorsqu'il ne contient pas de batterie. Ne pas laisser les batteries dans le chargeur branché pendant plusieurs jours d'affilée.
- Ne jamais utiliser ni recharger des batteries si on soupçonne qu'il s'est écoulé plus de 12 mois depuis la dernière recharge. Il est fortement probable que la batterie ait subi des dommages graves (décharge complète).
- La recharge des batteries à une température inférieure à 10 °C (50 °F) a pour effet d'endommager les éléments accumulateurs et peut provoquer un incendie.
- Ne pas utiliser des batteries qui ont été exposées à la charge durant la charge, car les éléments peuvent avoir subis des dommages dangereux.
- Ne pas utiliser des batteries qui ont gonflé ou se sont déformées durant la charge ou qui présentent d'autres symptômes atypiques (dégagement gazeux, sifflement, fissuration, etc.).
- Ne jamais décharger complètement la batterie (la profondeur de décharge maximale recommandée de maximum est de 80 %). Une décharge complète de la batterie entraînerait un vieillissement prématuré des éléments de la batterie. Utiliser le chargeur de batterie et les outils à batterie uniquement dans des conditions sèches et à une température ambiante de 10 à 40 °C (50 à 104 °F).
- Ne pas conserver le chargeur dans des endroits où la température est susceptible de dépasser 40 °C (104 °F). En particulier, ne pas laisser le chargeur dans une voiture stationnée au soleil.
- Protéger les batteries contre la surchauffe. Les charges de travail excessives, la surcharge et l'exposition au soleil provoquent une surchauffe et endommagent les éléments accumulateurs. Ne jamais charger ni utiliser des batteries qui ont subi une surchauffe; les changer immédiatement dans la mesure du possible.
- Empêcher la batterie lithium-ion de geler. Les batteries qui ont été entreposées en dessous de 0 °C (32 °F) pendant plus de 60 minutes doivent être mises au rebut.
- Lors de la manipulation des batteries, prendre garde à la charge électrostatique. Les décharges électrostatiques peuvent endommager le système de protection électronique et les éléments de batterie. Éviter l'accumulation de charges électrostatiques et ne jamais toucher les bornes de la batterie.

AVERTISSEMENT

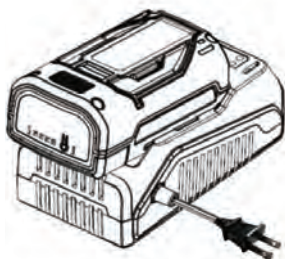
Utiliser le chargeur Mantis réf. 3505 uniquement avec des batteries Mantis, les autres types de batteries peuvent provoquer des blessures corporelles ou des dégâts matériels.

INFORMATIONS SUR LE CHARGEUR (SUITE)



Voyant ROUGE ALLUMÉ

Brancher la fiche du chargeur dans la prise de courant. Le voyant ROUGE s'allume en continu.



Placer la batterie dans le chargeur en la glissant à fond vers l'avant.



Le chargeur Mantis fait aussi fonction d'outil de diagnostic. Ses voyants s'allument suivant des motifs spécifiques pour indiquer l'état actuel de la batterie. Voir la table ci-dessous.

VOYANT INDICATEUR DU CHARGEUR

	ROUGE ALLUMÉ en continu, VERT CLIGNOTANT	La batterie se charge
	VERT ALLUMÉ en continu, ROUGE ÉTEINT	La batterie est complètement chargée. Retirer la batterie du chargeur.
	ROUGE et VERT tous deux CLIGNOTANTS	Température anormale. La batterie est soit trop chaude, soit trop froide
	Voyant VERT ÉTEINT, voyant ROUGE CLIGNOTANT	Problème de batterie. La retirer et la changer. Pour toute assistance, appeler le service après-vente Mantis au 1-800-366-6268.

• Une fois la charge terminée, glisser la batterie vers l'arrière pour la retirer du chargeur.

REMARQUE : La durée habituelle pour atteindre une pleine charge est d'environ 100 minutes.

CHARGER UNE BATTERIE CHAUDE OU FROIDE

Les batteries fonctionnent sur une large plage de température, mais cela ne signifie pas qu'elles peuvent aussi être chargées dans les mêmes conditions. Le processus de charge est plus délicat que la décharge et suppose des précautions particulières. Les froids extrêmes et les fortes chaleurs réduisent la capacité d'accumulation, c'est pourquoi la batterie doit être amenée à une température modérée avant d'être chargée.

Si les deux voyants ROUGE et VERT du chargeur clignotent, cela signifie que la température de la batterie est en dehors de la plage de charge. Une fois que la batterie est dans la plage acceptable, la charge s'effectue normalement. Les batteries chaudes ou froides peuvent prendre plus de temps pour se charger.

MISE EN PLACE DE LA BATTERIE

Ouvrir le capot du logement de batterie. Pour cela, appuyer sur loquet de verrouillage (rep. C) comme sur la Fig. 1 et relever le capot. Engage ensuite la batterie dans les supports, comme sur la Fig. 2, et l'enfoncer jusqu'à ce qu'elle s'enclenche (déclat). Pour retirer la batterie, appuyer sur le bouton de dégagement de la batterie (rep. D, Fig. 3) et la glisser hors du logement.

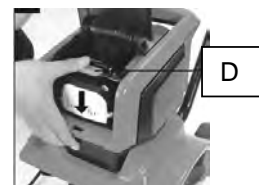
Fig.1



Fig. 2



Fig. 3



ATTENTION!

La batterie doit toujours être complètement chargée avant utilisation. Rabattre le capot du logement de batterie pour le fermer et s'assurer qu'il s'enclenche correctement.

État de charge des batteries lithium-ion

Température de la batterie	Voyants indicateurs	État de charge
Trop chaude	ROUGE et VERT tous deux clignotants	Pas de charge
Plage normale	ROUGE ALLUMÉ en continu, VERT CLIGNOTANT	Charge normale
Trop froide	ROUGE et VERT tous deux clignotants	Pas de charge

Fonctionnement de la motobêche-bineuse à batterie

EMPLOI PRÉVU

La motobêche-bineuse est conçue pour ameublir et travailler la terre dans un jardin et pour biner les sols grossiers afin d'y incorporer de l'engrais, de la tourbe et du compost. Cette motobêche-bineuse ne doit pas être utilisée pour biner un sol extrêmement sec ou humide.

Cette motobêche-bineuse ne doit pas être utilisée sous la pluie ou en milieux humides.

Pour des raisons de sécurité, il est indispensable de lire le manuel d'instructions en entier avant la première utilisation et de respecter toutes les instructions.

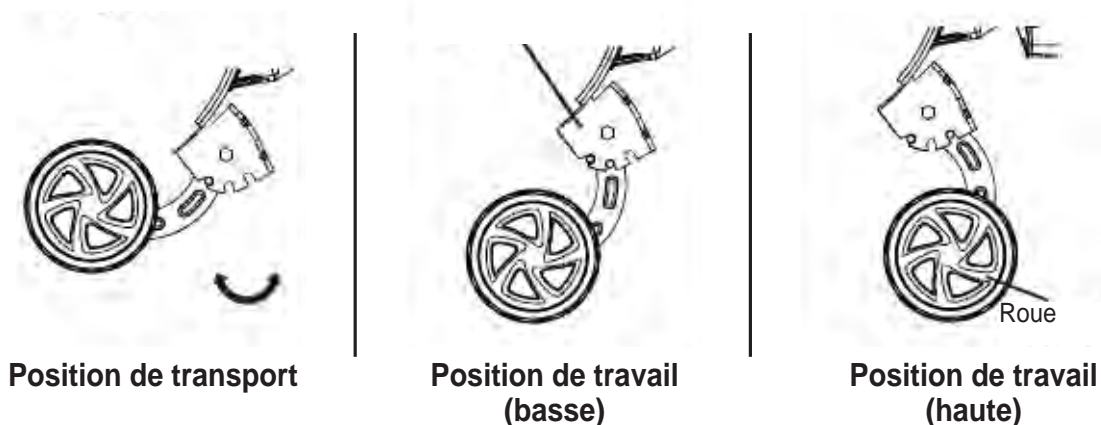
Cette motobêche-bineuse est destinée à une utilisation par des particuliers uniquement, pas à un quelconque usage commercial. Elle ne devra être utilisée à aucune autre fin que celles décrites.

RÉGLAGE DES ROUES

Les roues présentent 3 positions de réglage. Abaisser la hauteur des roues pour pénétrer le sol peu profondément. Relever la hauteur des roues pour pénétrer le sol plus profondément.

Régler les roues alors que la motobêche-bineuse est à l'arrêt, attendre l'arrêt complet des pièces en mouvement et retirer la batterie. Basculer la motobêche-bineuse vers l'avant pour l'appuyer sur le carter du moteur. Saisir le système de roues par l'axe et le tirer vers soi. Déplacer les roues vers le haut ou le bas (selon les besoins) et laisser les goupilles s'engager dans l'une des trois positions prévues.

Réglage des roues



⚠ AVERTISSEMENT

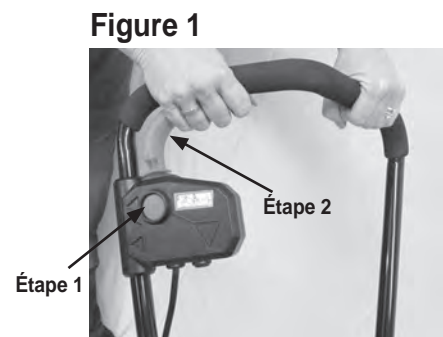
Toujours couper l'alimentation de la motobêche-bineuse et attendre l'arrêt complet des pièces en mouvement. Retirer la batterie avant de procéder à tout réglage!

⚠ AVERTISSEMENT

Les roues présentent 3 positions de réglage. Toujours s'assurer que les roues sont bien verrouillées! Ne pas tenter d'utiliser la motobêche-bineuse avec les roues dans une autre position ou déverrouillées!

DÉMARRER ET ARRÊTER LA MOTOBÊCHE-BINEUSE

1. Placer une batterie complètement chargée dans la motobêche-bineuse.
2. Appuyer sur le bouton de déblocage et le maintenir dans cette position (Figure 1, étape 1).
3. Enfoncer l'interrupteur Marche/Arrêt pour mettre la motobêche-bineuse en marche (Figure 1, étape 2), puis relâcher le bouton de déblocage.
4. Relâcher l'interrupteur marche/arrêt pour couper l'alimentation de la motobêche-bineuse et la mettre à l'arrêt.



Fonctionnement de la motobêche-bineuse à batterie (suite)

FONCTIONNEMENT GÉNÉRAL

1. Vérifier le bon état de la motobêche-bineuse, de sa batterie ainsi que des accessoires avant chaque utilisation. Ne pas utiliser la motobêche-bineuse si elle est endommagée ou présente des signes d'usure.
2. Revérifier que les fraises sont correctement attachées.
3. Toujours tenir la motobêche-bineuse par ses poignées. Garder les poignées sèches pour assurer une prise sûre.
4. Durant le transport la motobêche-bineuse, veiller à tenir les poignées des deux mains.
5. S'assurer que les événements d'air sont toujours propres et dégagés. Le cas échéant, les nettoyer avec une brosse souple. L'obstruction des événements peut provoquer une surchauffe et endommager le produit.
6. Couper immédiatement l'alimentation de la motobêche-bineuse et attendre l'arrêt complet des pièces en mouvement si le travail est interrompu par des personnes entrant dans l'aire de travail. Toujours attendre l'arrêt complet de la motobêche-bineuse avant d'ôter les yeux de la machine.
7. Ne pas forcer à la tâche. Faire des pauses régulièrement pour pouvoir se concentrer sur la tâche et avoir une maîtrise totale de la motobêche-bineuse.

BINAGE

1. Contrôler la zone de travail pour s'assurer qu'il n'y a pas de pierres, bâtons, fils métalliques et autres objets susceptibles d'endommager la motobêche-bineuse ou son moteur. Garder à l'esprit que la motobêche-bineuse peut bondir brusquement vers le haut ou l'avant si les fraises heurtent un obstacle enfoui tel qu'une grosse roche, des racines ou une souche.
2. Ne pas biner un sol très mouillé car la terre a tendance à s'accumuler autour des fraises et à empêcher leur bonne rotation. Cela présente aussi un risque de glissement et de chute.
3. Toujours tenir fermement la motobêche-bineuse. Pour mieux le guider, appliquer une légère pression sur le guidon (Figure 2). Tenir la motobêche-bineuse des deux mains durant l'utilisation. S'assurer que les poignées sont sèches.
4. Ne pas tenter de biner trop profondément ni de pénétrer de force un sol particulièrement dur et résistant.
5. Tirer la motobêche-bineuse à reculons à travers le sol à un pas normal et suivant une ligne aussi droite que possible.
6. Biner des rangées se chevauchant légèrement. Le trajet le plus efficace pour biner la terre est de déplacer la motobêche-bineuse d'un sens à l'autre suivant des lignes verticales, puis de le passer suivant des lignes horizontales de gauche à droite (Figure 3). Cela produit des rangées régulières et assure un binage uniforme du sol sans oubli.
7. Faire particulièrement preuve de précaution lors des changements de direction. Appuyer légèrement sur le guidon de façon à relever les fraises pour effectuer un virage. Retourner la machine en se guidant avec les roues. Relâcher progressivement la pression pour ramener les fraises dans le sol.

AVERTISSEMENT

Dans certains pays, la réglementation prévoit à quelles heures et quels jours particuliers les produits peuvent être utilisés et quelles restrictions s'appliquent. Obtenir plus de détails auprès des autorités locales et respecter la réglementation!

Figure 2

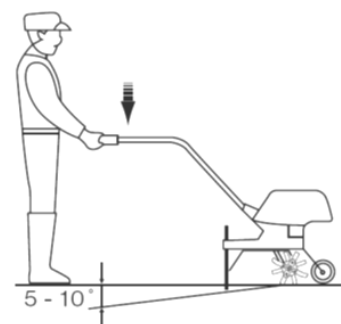


Figure 3

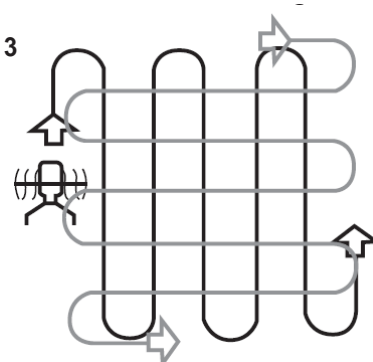


Figure 4



AVERTISSEMENT

Ne jamais porter la motobêche-bineuse comme la personne illustrée à la Figure 4. Dans cette position, la mise en marche des fraises peut provoquer des blessures graves.



AVERTISSEMENT

Arrêter le moteur si la motobêche-bineuse heurte un objet étranger! Couper l'alimentation de la motobêche-bineuse, attendre l'arrêt complet des pièces en mouvement, retirer la batterie et la laisser refroidir. Contrôler avec soin l'état de la motobêche-bineuse. Faire réparer tout dommage avant de la redémarrer! Une vibration importante de la motobêche-bineuse durant la marche indique qu'elle est endommagée. Arrêter le moteur. Faire contrôler et réparer la motobêche-bineuse dans les meilleurs délais!

Soins de la motobêche-bineuse à batterie

APRÈS UTILISATION

1. Couper l'alimentation de la motobêche-bineuse, attendre l'arrêt complet des pièces en mouvement, retirer la batterie et la laisser refroidir.
2. Contrôler, nettoyer et ranger la motobêche-bineuse comme décrit ci-dessous.

RÈGLES CONCERNANT LES SOINS

1. Maintenir la motobêche-bineuse propre. Éliminer les débris après chaque utilisation et avant de l'entreposer.
2. Un bon nettoyage régulier assurera une utilisation sans danger et prolongera la durée de vie de la motobêche-bineuse.
3. Contrôler l'état et l'usure de la motobêche-bineuse avant chaque utilisation. Ne pas l'utiliser si elle comporte des pièces cassées ou usées.

NETTOYAGE GÉNÉRAL

1. Nettoyer la motobêche-bineuse avec un chiffon sec. Utiliser une brosse pour les surfaces difficiles à atteindre.
2. En particulier, nettoyer les événements après chaque utilisation avec un chiffon et une brosse.
3. Éliminer la saleté résistante avec de l'air sous pression (3 bar/40 psi maximum).

i **REMARQUE : Ne pas utiliser de détergents ou désinfectants chimiques, alcalins ou autrement agressifs pour nettoyer cette motobêche-bineuse car cela peut dégrader ses surfaces. Ne pas utiliser de liquides nettoyants ou solvants ni passer la motobêche-bineuse au jet d'eau (notamment sous pression) pour la nettoyer.**

4. Vérifier qu'il n'y a pas de pièces usées ou endommagées. Changer les pièces usées comme il se doit ou obtenir l'assistance du centre de service après-vente Mantis au 1-800-366-6268 avant de réutiliser la motobêche-bineuse.

DESSOUS ET FRAISES

1. S'assurer que le dessous et les fraises sont propres et non obstrués. Enlever la saleté avec une brosse ou autre outil adapté.
2. Le bon serrage de tous les écrous et vis doit être contrôlé régulièrement avant utilisation. Après une utilisation prolongée, en particulier dans des sols sablonneux, les fraises s'usent et perdent légèrement leur forme d'origine. Le binage est moins efficace et les fraises doivent alors être changées.
3. Faire remplacer les fraises usées ou endommagées par des fraises neuves de même type.
4. Pour étendre la durabilité des fraises et de la motobêche-bineuse, il est conseillé de lubrifier les fraises après chaque utilisation.



AVERTISSEMENT

Toujours couper l'alimentation de la motobêche-bineuse, attendre l'arrêt complet des pièces en mouvement et laisser la motobêche-bineuse refroidir avant toute opération de contrôle, d'entretien ou de nettoyage!



AVERTISSEMENT

Effectuer l'entretien et les réparations conformément à ces instructions! Tous les autres travaux devront être confiés à un spécialiste compétent.



AVERTISSEMENT

Porter des gants de protection pour travailler sur la motobêche-bineuse ou à proximité. Utiliser les bons outils pour éliminer les débris, par exemple un bâton en bois. Ne jamais le faire à mains nues!



ATTENTION!

Les pièces en mouvement continuent de tourner pendant plusieurs secondes après la mise à l'arrêt de la machine. Attendre que les fraises soient à l'arrêt complet avant de soulever la motobêche-bineuse ou de procéder à son contrôle et son entretien.

Entretien de la motobêche-bineuse à batterie

RÉPARATIONS

Le motoréducteur et l'électronique de cette motobêche-bineuse ne peuvent pas être réparés par l'utilisateur; seules les réparations indiquées dans ce manuel ou sur notre site Web sont recommandées. Pour toute assistance, appeler le service après-vente Mantis au 1-800-366-6268.

PIÈCES DÉTACHÉES / PIÈCES DE RECHANGE

Les pièces suivantes du produit peuvent être changées par l'utilisateur. Les pièces de rechange peuvent être obtenues auprès du service après-vente Mantis.

Description	Numéro de modèle
Fraise	8440-990101-01
Vis M8 x 8mm high	8NH-08D
Écrou M8 x 40mm long, 8.8 Grade	8SFFD08-40D

⚠ AVERTISSEMENT

Toujours utiliser uniquement des pièces de rechange Mantis d'origine. L'utilisation de pièces de rechange, outils ou accessoires non autorisés peut s'avérer dangereuse et provoquer des blessures ou des dommages mécaniques.

ENTRETIEN

Avant et après chaque utilisation, vérifier l'état et l'usure de la motobêche-bineuse. Le cas échéant, remplacer les pièces usées ou endommagées par des neuves comme indiqué dans le manuel d'instructions. Respecter les spécifications techniques.

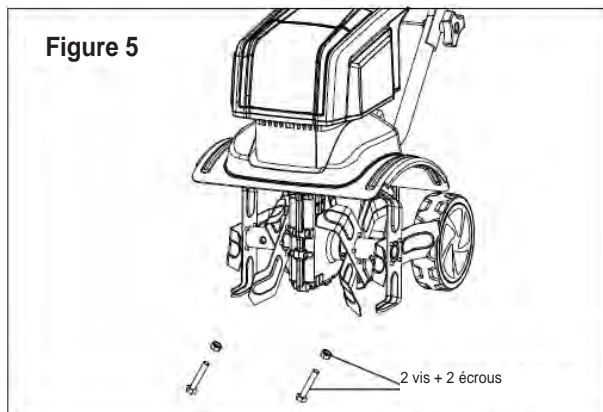
1. Suivre les instructions d'entretien et de réparation pour cette motobêche-bineuse. Ne jamais apporter de quelconques modifications à ce produit. Les renseignements sur l'entretien et les réparations figurent dans ce manuel de l'utilisateur.
2. Maintenir tous les écrous, boulons et vis bien serrés pour assurer un fonctionnement sans danger de la motobêche-bineuse.
3. S'assurer que les événements ne sont pas obstrués
4. Pour plus de sécurité, changer les pièces usées ou endommagées.
5. S'assurer que les fraises sont dégagées et tournent librement – L'accumulation de débris autour des fraises peut entraver leur fonctionnement et endommager le moteur. Contrôler et nettoyer le voisinage des fraises avant chaque utilisation.

CHANGER LES FRAISES

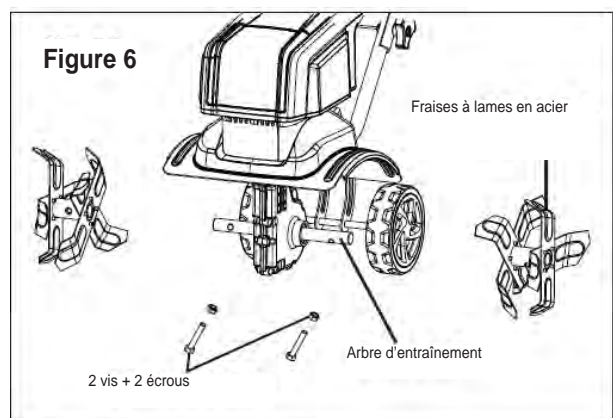
REMARQUE : La motobêche-bineuse est équipée de quatre fraises qui sont faciles à changer par paires. Toujours changer les deux paires de fraises en même temps pour éviter le déséquilibre et les dommages de la machine.

Pour changer les fraises :

1. La machine étant placée sur une surface plane et stable, couper l'alimentation, attendre l'arrêt complet de des pièces en mouvement et retirer la batterie.
2. Retirer les 2 vis et les 2 écrous, puis déposer les fraises en acier (Figure 5).



3. Nettoyer l'arbre d'entraînement.
4. Placer les fraises neuves sur l'arbre d'entraînement en alignant les trous dans le moyeu des fraises et ceux de l'arbre d'entraînement.
5. Enfiler les 2 vis à travers les trous et les attacher avec les 2 écrous (Figure 6).



IMPORTANT : Les fraises doivent être placées dans le bon sens de rotation. Prendre note de l'orientation des anciennes fraises et monter les fraises neuves exactement de la même façon.

Entretien et entreposage de la motobêche-bineuse à batterie

RÉDUCTION DES VIBRATIONS ET DU BRUIT

Pour réduire l'effet du bruit et des vibrations produits, limiter le temps d'utilisation et porter un équipement de protection individuelle.

Tenir compte des points suivants pour minimiser les risques d'exposition aux vibrations et au bruit :

1. Utiliser la motobêche-bineuse uniquement aux fins prévues et conformément à ces instructions.
2. S'assurer que la motobêche-bineuse est en bon état et bien entretenue.
3. Utiliser les fraises correctes et s'assurer qu'elles sont en bon état.
4. Tenir fermement les poignées.
5. Entretenir cette motobêche-bineuse conformément à ces instructions et maintenir les fraises bien lubrifiées.
6. Planifier le travail de façon à étaler l'utilisation du produit sur une durée plus longue.

RISQUES RÉSIDUELS

Même lorsqu'on utilise cette motobêche-bineuse en respectant toutes les règles de sécurité, il reste des risques de blessures et dommages potentiels. Les dangers suivants peuvent se présenter en rapport avec l'utilisation de ce produit :

1. Problèmes de santé liés aux vibrations émises si la machine est utilisée pendant de longues durées ou si elle n'est pas gérée ou entretenue comme il se doit.
2. Blessures et dégâts matériels provoqués par des pièces cassées ou par le heurt d'objets dissimulés durant l'utilisation.
3. Danger de blessure ou de dégâts matériels par des objets projetés.

AVERTISSEMENT

Cette motobêche-bineuse émet un champ électromagnétique durant la marche! Sous certaines circonstances, ce champ peut entraver le fonctionnement d'implants médicaux actifs ou passifs! Pour réduire le risque de blessure corporelle grave voire mortelle, nous conseillons aux personnes portant un implant médical de consulter leur médecin et le fabricant de l'implant médical avant d'utiliser ce produit.

ENTREPOSAGE

1. Couper l'alimentation, attendre l'arrêt complet des pièces en mouvement et retirer la batterie de la motobêche-bineuse.
2. Nettoyer la motobêche-bineuse comme décrit ci-dessus.
3. Entreposer la motobêche-bineuse dans un endroit couvert, sec, à l'abri du gel et bien aéré.
4. Lorsqu'elle n'est pas utilisée, la motobêche-bineuse devra être rangée à l'intérieur dans un endroit sec et en hauteur ou verrouillé hors de la portée des enfants. Entreposer le chargeur et la machine à batterie uniquement dans des endroits secs à une température ambiante de 10 à 40 °C (50 à 104 °F). Entreposer la batterie lithium-ion dans un endroit frais et sec à une température de 10 à 20 °C (50 à 68 °F). Protéger la batterie, le chargeur et la machine à l'abri de l'humidité et du soleil. Entreposer uniquement des batterie bien chargées (au moins 40 % de charge).
5. Nous conseillons d'utiliser l'emballage d'origine ou de couvrir la motobêche-bineuse d'une bâche ou autre enveloppe pour la protéger contre la poussière.
6. La motobêche-bineuse peut être rangée avec le guidon déployé ou replié (Figure 7). Desserrer les molettes du guidon pour le replier comme sur l'illustration.

Figure 7



TRANSPORT

1. Couper l'alimentation de la motobêche-bineuse, attendre l'arrêt complet des pièces en mouvement et retirer la batterie.
2. Attacher les protections de transport le cas échéant.
3. Toujours porter la motobêche-bineuse par sa poignée de transport.
4. Protéger la motobêche-bineuse contre les chocs importants ou les fortes vibrations susceptibles de se produire durant le transport dans un véhicule.
5. Attacher la motobêche-bineuse pour l'empêcher de glisser ou de se renverser.

Dépannage de la motobêche-bineuse à batterie

Dépannage

Les avaries présumées sont souvent liées à des causes pouvant être rectifiées par l'utilisateur. Par conséquent, dépanner le produit comme indiqué ci-dessous. Dans la majorité des cas, le problème peut être résolu rapidement.

AVERTISSEMENT

Effectuer uniquement les opérations décrites dans les présentes instructions! Toute opération supplémentaire de contrôle, d'entretien et de réparation devra être confiée à un centre de service après-vente agréé ou autre spécialiste également qualifié si on ne peut pas résoudre le problème soi-même. Pour toute assistance, appeler le service après-vente Mantis au 1-800-366-6268.

Problème	Cause	Correction
1. La motobêche-bineuse ne démarre pas	1.1. La batterie n'est pas correctement en place 1.2. Bornes de moteur ou condensateur débranchés 1.3. La batterie est déchargée 1.4. Trop grande profondeur de travail	1.1. Retirer la batterie et la remettre en place 1.2. Faire contrôler par un électricien 1.3. Charger la batterie 1.4. Réduire la profondeur de travail
2. La motobêche-bineuse n'atteint pas sa pleine puissance	2.1. Tension de la batterie insuffisante 2.2. Événements d'air obstrués	2.1. Recharger la batterie 2.2. Nettoyer les événements d'air
3. Résultat non satisfaisant	3.1. Fraises émoussées ou endommagées 3.2. Fraises inadaptées au type de terrain	3.1. Remplacer par des fraises neuves 3.2. Utiliser le produit sur un terrain qui convient
4. Vibrations ou bruit excessifs	4.1. Fraises émoussées ou endommagées 4.2. Vis/écrous desserrés	4.1. Remplacer par des fraises neuves 4.2. Serrer les vis/écrous.
5. La batterie ne se recharge pas correctement	5.1 Pas de courant à la prise. 5.2 Contacts de chargeur obstrués par des saletés ou court-circuités par un objet étranger 5.3 Température anormale. La batterie est soit trop chaude, soit trop froide	5.1 Vérifier que l'alimentation de la prise n'est pas coupée. 5.2 Nettoyer les contacts du chargeur 5.3 Amener le chargeur et la batterie dans un endroit tempéré. Une fois que la batterie est dans la plage acceptable, la charge s'effectue normalement



RECYCLAGE ET ÉLIMINATION

Ce produit est livré dans un emballage qui le protège contre les dommages durant le transport. Conserver l'emballage jusqu'à s'être assuré que toutes les pièces ont été livrées et que le produit fonctionne correctement. Recycler ensuite l'emballage.

Symbole WEEE. Les appareils électriques en fin de vie ne doivent pas être jetés avec les déchets ménagers. Veiller à les recycler là où ce service existe. Obtenir des conseils en matière de recyclage auprès des autorités locales ou du revendeur local.



GARANTIE LIMITÉE

MANTIS accorde la présente garantie limitée contre les vices de matériau et de fabrication pendant une période de deux (2) ans à compter de la date d'achat par l'acheteur initial.

MANTIS réparera ou remplacera, à sa discrétion, toute pièce du produit présentant un vice de matériau ou de fabrication durant la période de garantie. Les réparations et remplacements sous garantie seront effectués sans frais de pièces ou de main-d'œuvre. Toutes les pièces remplacées sous garantie seront considérées comme faisant partie du produit d'origine et la date d'expiration de garantie des pièces remplacées sera celle de la garantie du produit d'origine. Si vous pensez que votre MOTOBÊCHE-BINEUSE MANTIS présente un vice de matériau ou de fabrication, veuillez contacter notre service après-vente au 1 -800-366-6268 ou sur notre page Nous contacter à www.mantis.com

Mantis

1028 Street Road
Southampton, PA 18966
États-Unis

Les frais d'enlèvement et de livraison sont à votre charge; le produit doit nous être renvoyé en port payé.

MANTIS décline toute responsabilité dans l'éventualité où le produit n'a pas été assemblé ou utilisé conformément aux instructions d'assemblage, d'entretien, de sécurité ou d'utilisation figurant dans le manuel de l'utilisateur ou accompagnant le produit. La présente garantie limitée ne couvre pas les dommages ni les défaillances liés à l'usure normale, à un défaut d'entretien raisonnable et approprié, au non-respect des instructions d'utilisation ou du mode d'emploi, à un emploi abusif, à un entreposage incorrect ou à des accidents, ni les pièces et les services d'entretien courant. La présente garantie limitée est annulée si la MOTOBÊCHE-BINEUSE MANTIS a fait l'objet de négligence ou a été réparée ou modifiée par toute personne autre qu'un concessionnaire agréé ou un centre de service après-vente agréé.

Vous devez entretenir votre MOTOBÊCHE-BINEUSE MANTIS conformément aux instructions d'entretien figurant dans le manuel. Cet entretien courant, qu'il soit effectué par vous-même ou par un concessionnaire, est à votre charge.

MANTIS N'OFFRE AUCUNE GARANTIE EXPLICITE OU IMPLICITE, DÉCLARATION NI ASSURANCE, À L'EXCEPTION DE CELLES CONTENUES AUX PRÉSENTES. IL N'EST OFFERT AUCUNE AUTRE GARANTIE, NOTAMMENT AUCUNE GARANTIE DE QUALITÉ MARCHANDE NI D'ADAPTATION À UN EMPLOI PARTICULIER. TOUTES LES GARANTIES AUTRES QUE LA GARANTIE EXPRESSE CI-DESSUS SONT SPÉCIFIQUEMENT REJETÉES. LA DURÉE DE TOUTE GARANTIE IMPLICITE, Y COMPRIS DE QUALITÉ MARCHANDE ET D'ADAPTATION À UN EMPLOI PARTICULIER, EST LIMITÉE À LA DURÉE DE LA PRÉSENTE GARANTIE LIMITÉE. MANTIS DÉCLINE TOUTE RESPONSABILITÉ POUR TOUS LES DOMMAGES INDIRECTS, ACCESSOIRES OU CONSÉCUTIFS EN RAPPORT AVEC L'EMPLOI DES PRODUITS MANTIS COUVERTS PAR LA PRÉSENTE GARANTIE. CERTAINS ÉTATS OU PROVINCES N'AUTORISANT PAS LA LIMITATION DE LA DURÉE D'UNE GARANTIE IMPLICITE ET/OU N'AUTORISANT PAS L'EXCLUSION OU LA LIMITATION DES DOMMAGES INDIRECTS OU ACCESSOIRES, IL SE PEUT QUE LES LIMITATIONS ET EXCLUSIONS QUI PRÉCÈDENT NE S'APPLIQUENT PAS À VOUS. LA PRÉSENTE GARANTIE VOUS DONNE DES DROITS PRÉCIS ET IL SE PEUT QUE VOUS AYEZ ÉGALEMENT D'AUTRES DROITS, SUSCEPTIBLES DE DIFFÉRER D'UNE JURIDICTION À UNE AUTRE.

Les caractéristiques, descriptions et illustrations de ce guide sont exactes au mieux de notre connaissance au moment de la publication, mais elles sont susceptibles d'être modifiées sans préavis.