

12' X 14' MERIDIAN GAZEBO WITH ALUMINUM ROOF

Installation and Operating Instructions – YM11772



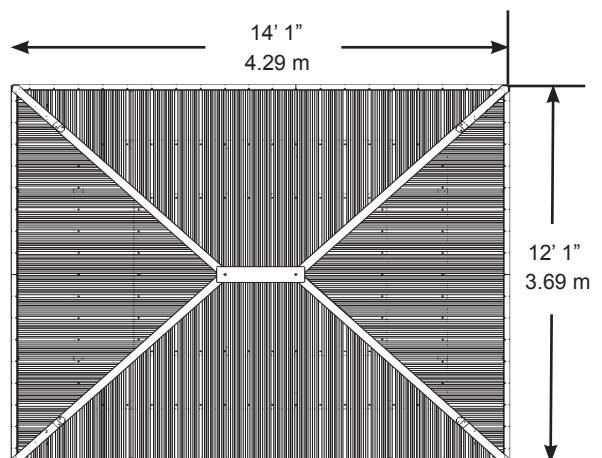
HEIGHT:
10'3" / 3.124m

Revised 09-11-2018

**YARDISTRY**[®]

Yardistry – North America
Toll Free Customer Support: 1.888.509.4382
info@yardistrystructures.com
www.yardistrystructures.com

Yardistry / Selwood Products – Europe
Customer Support: +44 1284 852569
parts@selwoodproducts.com
www.selwoodproducts.com



Important Safety Notice!

Yardistry components are intended for privacy, decorative and ornamental use only.

Product is NOT INTENDED for the following:

- A safety barrier to prevent unsupervised access to pools, hot tubs, spas or ponds.
- As load bearing support for a building, structure, heavy objects or swings.
- Used in structures that trap wind, rain or snow that would create extra load on the product.

Accumulated snow must be removed from roof.

DO NOT climb or walk on roof for any reason.

Permanent structures may require a building permit. As the purchaser and or installer of this product you are advised to consult local planning, zoning and building inspection departments for guidance on applicable building codes and/or zoning requirements.

Wood is NOT flame retardant and will burn. Grills, fire pits and chimineas are a fire hazard if placed too close to a Yardistry structure. Consult user's manual of the grill, fire pit or chimnea for safe distances from combustible materials.

Wear gloves to avoid injury from possible sharp edges of individual elements before assembly.

During installation, follow all safety warnings provided with your tools and use OSHA approved safety glasses. Some structures may require two or more people to install safely.

Check for underground utilities before digging or driving stakes into the ground!

It is important during assembly to closely follow the instructions, complete the assembly on a solid level surface and that you follow the instruction to square up, level and anchor the structure, this will reduce the gap at wood connections during assembly.

General Information

General Information: Wood components are manufactured with Cedar (C. Lanceolata) which is protected with factory applied water-based stain. Knots, small checks (cracks) and weathering are naturally occurring and do not affect the strength of the product. Annual application of a water-based water repellent sealant or stain is important and will help reduce weathering and checks.

www.yardistrystructures.com

Questions?

Call toll free or write us at:

1 (888) 509-4382

info@yardistrystructures.com

Patents Pending

Limited Warranty

Yardistry warrants that this product is free from defect in materials and workmanship for a period of one (1) year from the original date of purchase. In addition, for any product with lumber, all lumber is warranted for five (5) years against rot and decay. This warranty applies to the original owner and registrant and is non-transferable.

Regular maintenance is required to assure the integrity of your product and is a requirement of the warranty. This warranty does not cover any inspection costs.

This Limited Warranty does not cover:

- Labour for replacement of any defective item(s);
- Incidental or consequential damages;
- Cosmetic defects which do not affect performance or integrity;
- Vandalism; improper use or installation; acts of nature, including but not limited to wind, storms, hail, floods, excessive water exposure;
- Minor twisting, warping, checking or any other natural occurring properties of wood that do not affect performance or integrity.

Yardistry products have been designed for safety and quality. Any modifications made to the original product could damage the structural integrity of the product leading to failure and possible injury. Yardistry cannot assume any responsibility for modified products. Furthermore, modification voids any and all warranties.

This product is warranted for RESIDENTIAL USE ONLY. Yardistry disclaims all other representations and warranties of any kind, express or implied.

This Warranty gives you specific legal rights. You may have other rights as well which vary from state to state or province to province. This warranty excludes all consequential damages, however, some states/provinces do not allow the limitation or exclusion of consequential damages, and therefore this limitation may not apply to you.

Instructions for Proper Maintenance

Your Yardistry structure is designed and constructed of quality materials. As with all outdoor products it will weather and wear. To maximize the enjoyment, safety and life of your structure it is important that you, the owner, properly maintain it.

HARDWARE:

- Check metal parts for rust. If found, sand and repaint using a non-lead paint complying with 16 CFR 1303.
- Inspect and tighten all hardware after completion of assembly; after first month of use; and then annually. Do not over-tighten as to cause crushing and splintering of wood.
- Check for sharp edges or protruding screw threads, add washers if required.

WOOD PARTS:

- Applying a water repellent or stain (water-based) on a yearly basis is important maintenance to maintain maximum life and performance of the product.
- Check all wood members for deterioration, structural damage and splintering. Sand down splinters and replace deteriorated wood members. As with all wood, some checking and small cracks in grain is normal
- Some gapping may occur at some wood connections.

Assembly Guides

Tools Required:

- | | | |
|------------------------------|------------------|---------------------------|
| • Tape Measure | • 8' Step Ladder | • 6' Step Ladder x 2 |
| • Carpenters Level | • Safety Glasses | • Square |
| • Standard or Cordless Drill | • Adult Helper | • Ratchet |
| • Claw Hammer | • Safety Gloves | • 7/16, 1/2 & 9/16 Socket |
| • 7/16" & 9/16" Wrench | • Hard Hat | |

Symbols:

Throughout these instructions symbols are provided in the top, right-hand corner of the page.



- Use Help, where this is shown, 2, 3 or 4 people are required to safely complete this step. To avoid injury or damage to the assembly make sure to get some help.



- Use a measuring tape to assure proper location



- Pre-drill a pilot hole before fastening screw or lag to prevent splitting of wood.

If you dispose of your Yardistry structure: Please disassemble and dispose of your unit so that it does not create any unreasonable hazards at the time it is discarded. Be sure to follow your local waste ordinances.

Assembly Tips

Following are some helpful tips to make the assembly process smooth and efficient.

PRE-ASSEMBLIES:

(i.e. Post and Beam Assemblies, Roof Rafter Assembly, etc)

- Work on a raised, solid and flat surface such as, a table or saw horse.
- Keep all connections flush where shown in the instructions.
- When assembling the beams keep parts flat, straight and snug when connecting.

METAL PARTS:

- Roofing material may have sharp edges, wear safety gloves.
- Remove all plastic covering, on both sides of the metal panels, directly before installing each piece.
- Place roofing material on a non-abrasive surface before and after assembly as it can bend, dent and scratch easily.
- The roofing screws can easily crush the roof panels and roof edges when using a power drill. We recommend hand tightening the roofing screws so they sit snug and tight to the roofing material.

Permanent Installation Examples

Note: It is critically important you start with square, solid and level footings, concrete pad or deck to attach your Pergola Room.

We supply Post Mounts with this structure which gives you the flexibility to permanently install your structure to a pre-existing or new wood or concrete surface.

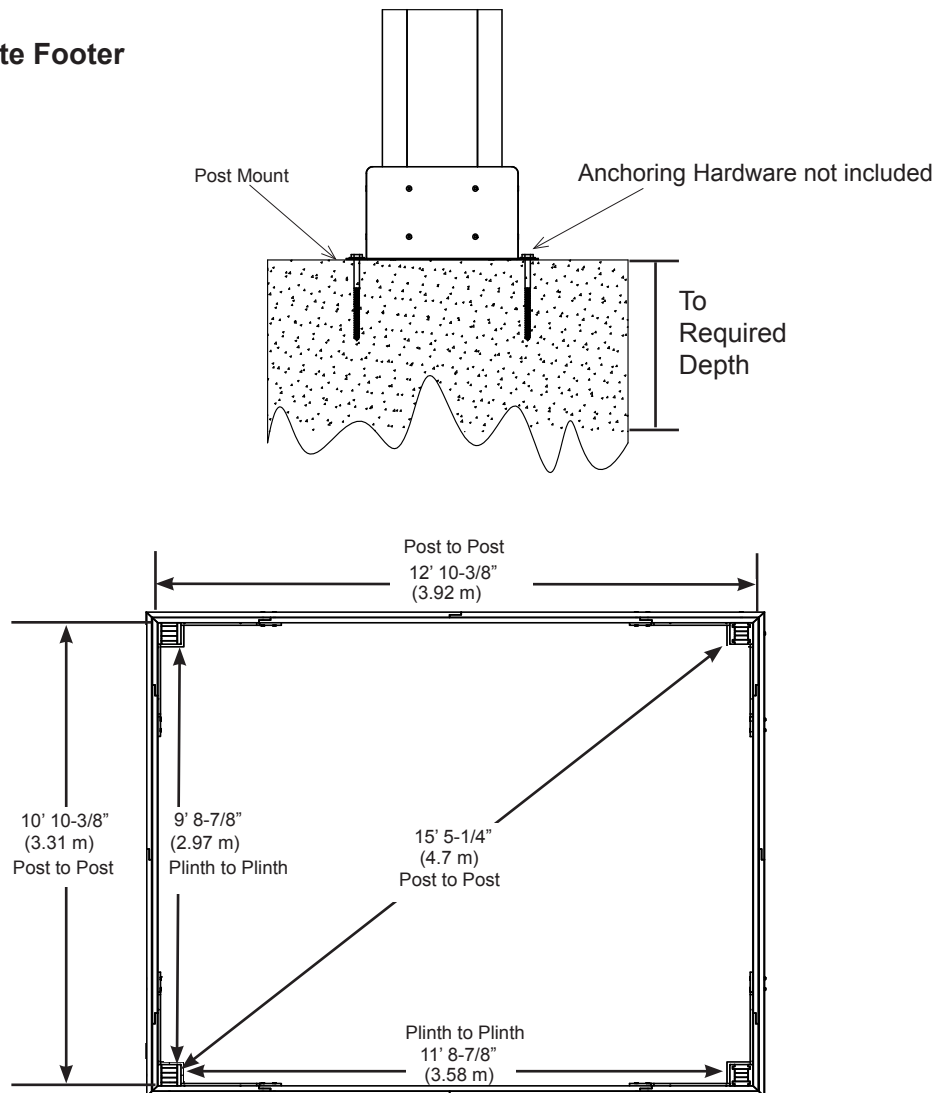
- The hardware to attach the Post Mount to the structure is included.
- The hardware to mount the structure permanently will need to be purchased separately at your local hardware store.

If you are mounting to concrete footers see below for the correct locations and placement. Please double check for possibility of any underground utilities such as gas, telephone, cable or sprinkler lines.

Following are some examples of how to mount the structure to wood or concrete surfaces.

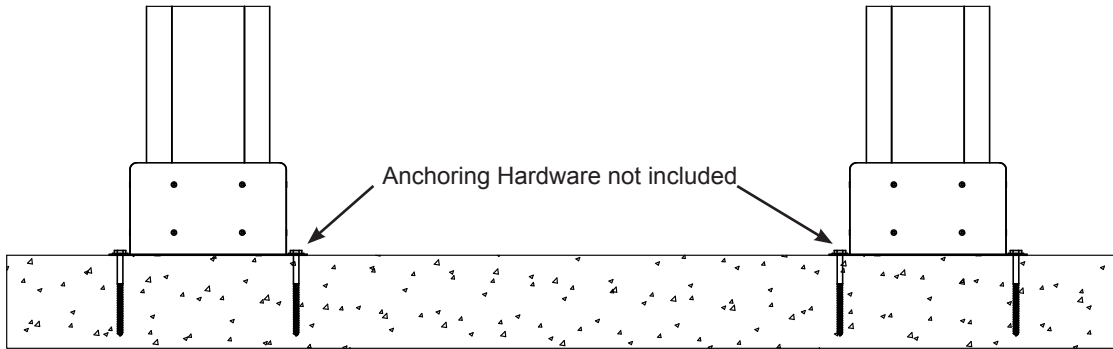
Refer to your local building and city codes, ordinances, neighbourhood covenants, or height restrictions regarding this type of structure for guidance on acceptable installation requirements.

Concrete Footer

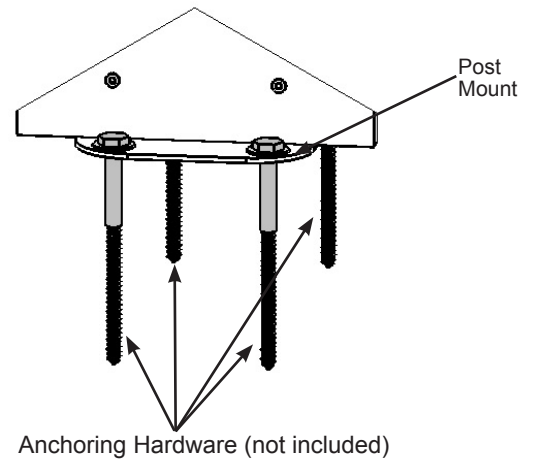
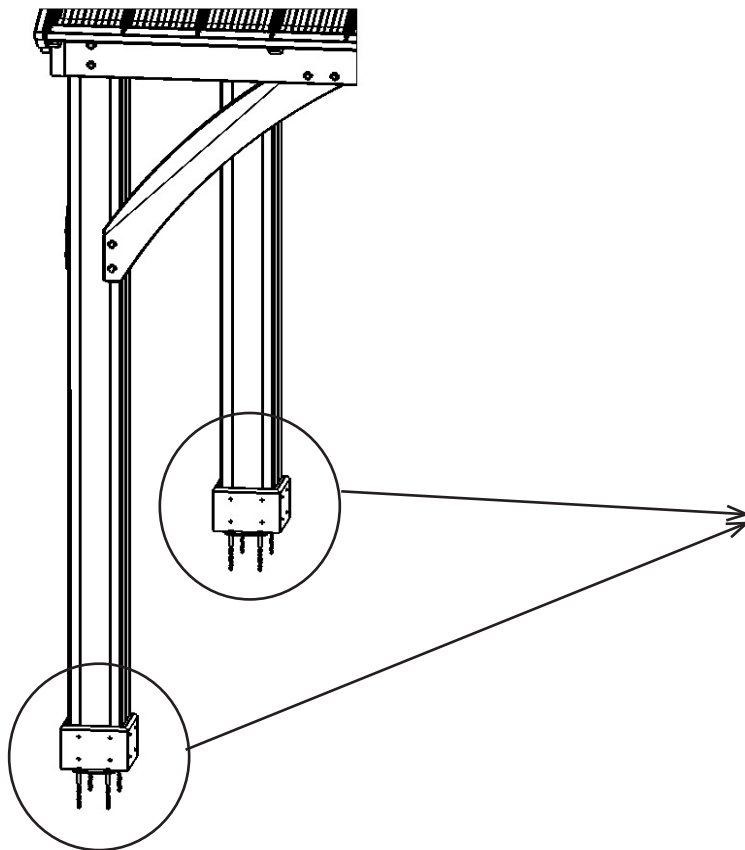


Permanent Installation Examples cont.

Concrete Patio [min. 11' 11" x 13' 11" (3.63 m x 4.24 m)] with 6" (1.83 m) clearance on all sides



Wood Deck [min. 11' 11" x 13' 11" (3.63 m x 4.24 m)] with 6" (1.83 m) clearance on all sides



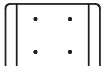
Post Mounts have a 1/2" diameter hole for anchoring hardware.

Part Identification (Dimensions are approximate and are shown to assist in the identification of parts for assembly. Actual dimensions may be smaller or larger.)

152.4 x 152.4 x 2336.8mm (6 x 6 x 92")
4pc. (696) - M Post

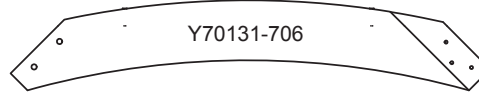


19.1 x 133.4 x 190.5mm (3/4 x 5-1/4 x 7-1/2")
16pc. (422) - Plinth

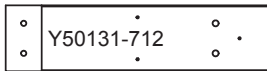


Y50131-422

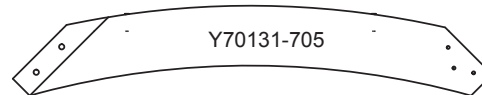
34.9 x 190.5 x 1015mm (1-3/8 x 7-1/2 x 40")
4pc. (706) - Gusset Left



38.1 x 139.7 x 558.6mm (1-1/2 x 5-1/2 x 22")
4pc. (712) - Beam Short End



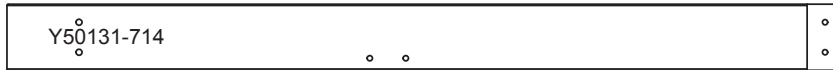
34.9 x 190.5 x 1015mm (1-3/8 x 7-1/2 x 40")
4pc. (705) - Gusset Right



38.1 x 139.7 x 1769.7mm (1-1/2 x 5-1/2 x 69-11/16")
2pc. (715) - Beam Short Right



38.1 x 139.7 x 1769.7mm (1-1/2 x 5-1/2 x 69-11/16")
2pc. (714) - Beam Short Left



38.1 x 139.7 x 2422.1mm (1-1/2 x 5-1/2 x 95-3/8")
2pc. (713) - Beam Short Centre



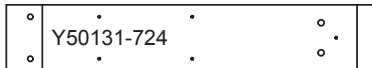
38.1 x 139.7 x 2587.5mm (1-1/2 x 5-1/2 x 101-7/8")
2pc. (723) - Beam Long Centre



38.1 x 139.7 x 2074.4mm (1-1/2 x 5-1/2 x 81-11/16")
2pc. (721) - Beam Long Left



38.1 x 139.7 x 780.6mm (1-1/2 x 5-1/2 x 30-3/4")
4pc. (724) - Beam Long End

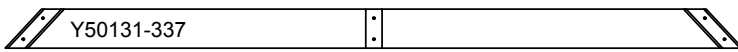


38.1 x 139.7 x 2074.4mm (1-1/2 x 5-1/2 x 81-11/16")
2pc. (722) - Beam Long Right

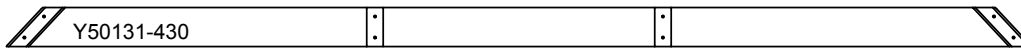


Part Identification (Dimensions are approximate and are shown to assist in the identification of parts for assembly. Actual dimensions may be smaller or larger.)

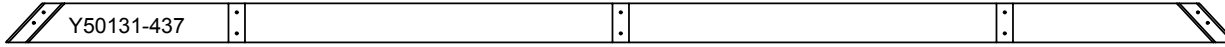
31.8 x 82.6 x 1561.3mm (1-1/4 x 3-1/4 x 61-7/16")
2pc. (337) - Strap Short



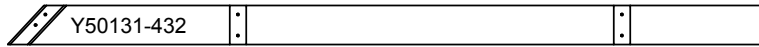
31.8 x 82.6 x 2170.9mm (1-1/4 x 3-1/4 x 85-7/16")
2pc. (430) - Strap Short - Large Roof



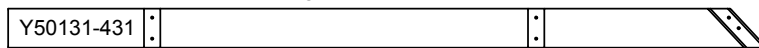
31.8 x 82.6 x 2603.5mm (1-1/4 x 3-1/4 x 102-1/2")
2pc. (437) - Strap



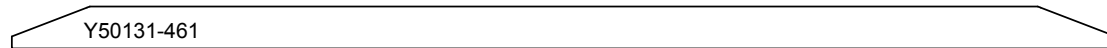
31.8 x 82.6 x 1605.6mm (1-1/4 x 3-1/4 x 63-3/16")
2pc. (432) - Strap Right - Large Roof



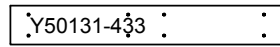
31.8 x 82.6 x 1605.6mm (1-1/4 x 3-1/4 x 63-3/16")
2pc. (431) - Strap Left - Large Roof



31.8 x 88.9 x 2336.8mm (1-1/4 x 3-1/2 x 92")
2pc. (461) - Tie



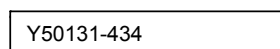
31.8 x 82.6 x 574.7mm (1-1/4 x 3-1/4 x 22-5/8")
2pc. (433) - Strap Brace



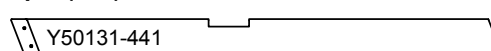
38.1 x 82.6 x 2157.7mm (1-1/2 x 3-1/4 x 84-15/16")
2pc. (436) - Fascia Right - Large Roof



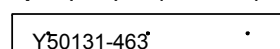
31.8 x 93.8 x 577.9mm (1-1/4 x 3-11/16 x 22-3/4")
2pc. (434) - Top



31.8 x 76.2 x 1040.2mm (1-1/4 x 3 x 40-15/16")
4pc. (441) - Rafter Short Left



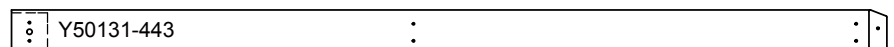
31.8 x 81.6 x 574.7mm (1-1/4 x 3-3/16 x 22-5/8")
1pc. (463) - Spacer Top



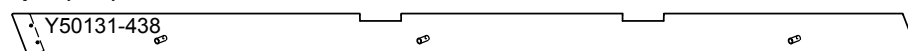
31.8 x 76.2 x 1040.2mm (1-1/4 x 3 x 40-15/16")
4pc. (442) - Rafter Short Right



38.1 x 82.6 x 1853mm (1-1/2 x 3-1/4 x 72-15/16")
2pc. (443) - Fascia Left

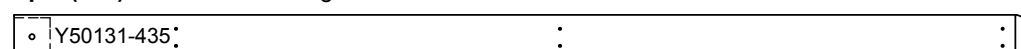
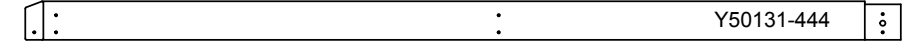


25.4 x 88.9 x 2601.9mm (1 x 3-1/2 x 102-7/16")
4pc. (438) - Rafter Corner Left

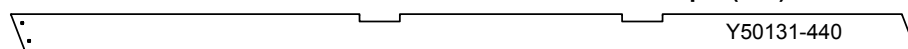


38.1 x 82.6 x 1853mm (1-1/2 x 3-1/4 x 72-15/16")
2pc. (444) - Fascia Right

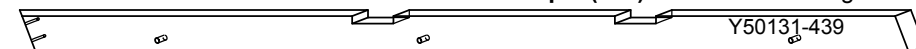
38.1 x 82.6 x 2157.7mm (1-1/2 x 3-1/4 x 84-15/16")
2pc. (435) - Fascia Left - Large Roof



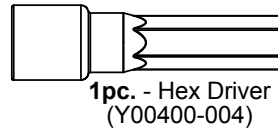
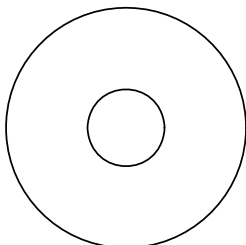
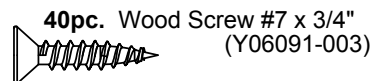
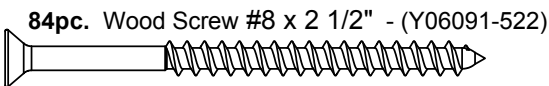
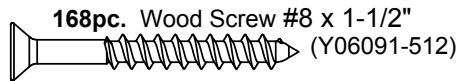
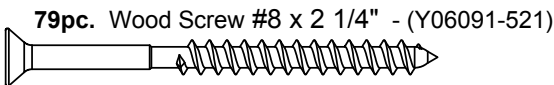
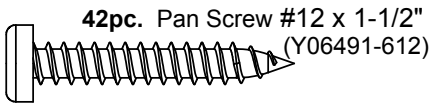
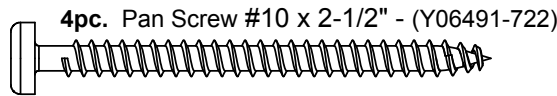
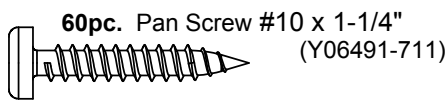
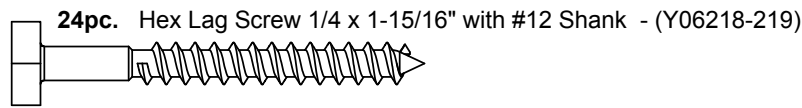
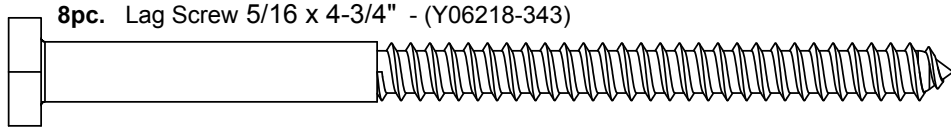
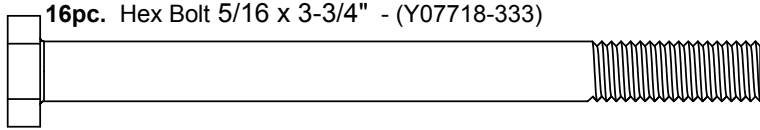
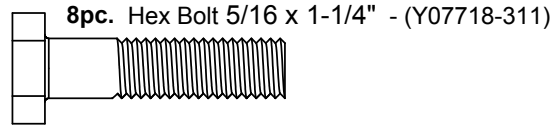
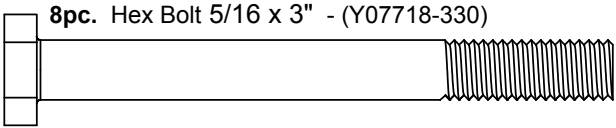
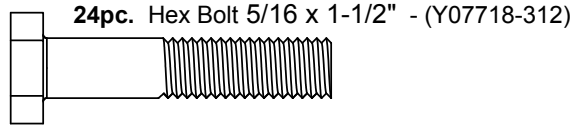
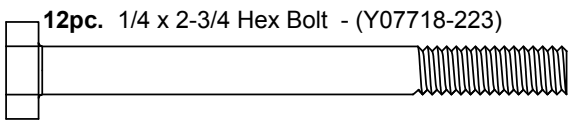
31.8 x 76.2 x 1915.4mm (1-1/4 x 3 x 75-3/8")
6pc. (440) - Rafter



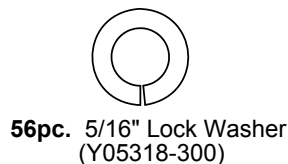
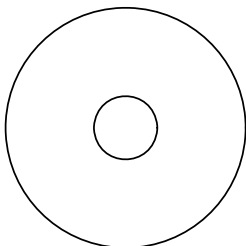
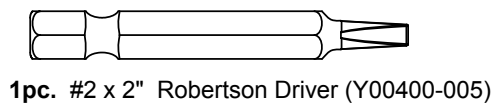
25.4 x 88.9 x 2601.9mm (1 x 3-1/2 x 102-7/16")
4pc. (439) - Rafter Corner Right



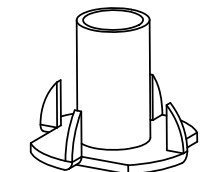
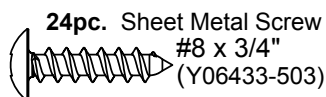
Hardware Identification (Dimensions are approximate and are shown to assist in the identification of parts for assembly. Actual dimensions may be smaller or larger.)



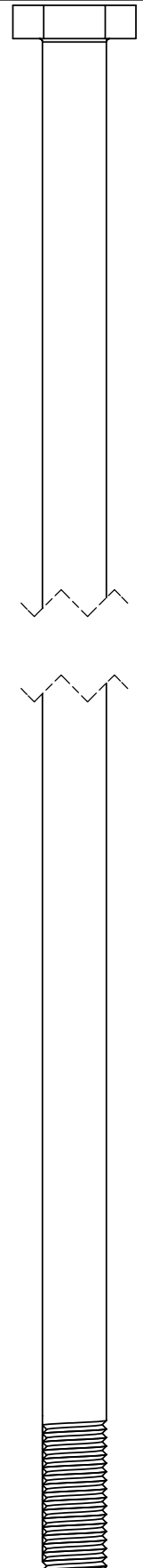
16pc.
3/8 x 1-1/4" Large Washer
(Y05118-811)



112pc.
1/4-5/16 x 1-1/4" Large Washer
(Y05118-311)



56pc. 5/16 - T-Nut
(Y08518-300)



8pc. Hex Bolt
3/8 x 9-1/2"
(Y07718-892)

Hardware Identification (Dimensions are approximate and are shown to assist in the identification of parts for assembly. Actual dimensions may be smaller or larger.)

4pc. - Short Panel Left (Y01033-126)

4pc. - Long Panel Right (Y01033-129)

4pc. - Long Panel Left (Y01033-127)

2pc. - Middle Panel (Y01033-130)

4pc. - Short Panel Right (Y01033-128)

4pc. Ridge Cap Short 25.2 (Y01033-132)

1pc. - Roof Panel Set (Y70833-138)

4pc. Roof Edge Left 72.2 - (Y01033-134)

2pc. Roof Edge Right 72.2 - (Y01033-135)

2pc. Roof Edge Right 96.2 - (Y01033-136)

8pc. Ridge Clip 102.5 - (Y01033-133)

2pc. Long Beam Insert - (Y00429-234)

2pc. Peak Post (Y01000-094)

4pc. Ridge Cap Long 81.5 (Y01033-131)

1pc. Tie Wrap Bracket (4Pk) (Y70829-106)

1pc. - Roof To Beam Bracket Set (14Pk) (Y70829-123)

1pc. - Corner Cap Set (4Pk) (Y70833-103)

1pc. - Peak Cap Long (Y01033-137)

1pc. - Weather Seal - Ridge Clip (8Pk) (Y70818-074)

1pc. - Roof To Post Bracket Set (4Pk) (Y70829-070)

2pc. Carriage Bolt (Y07428-260)

4pc. Roof Peak Bracket (Y00429-125)

1pc. - Post Mount Set (8Pk) (Y70819-109)

1pc. - Gazebo ID Plaque (Y70800-104)

2pc. Spring Clip (Y09490-001)

2pc. 1/4" Nut (Y08490-200)

2pc. Peak Loop (Y20018-003)

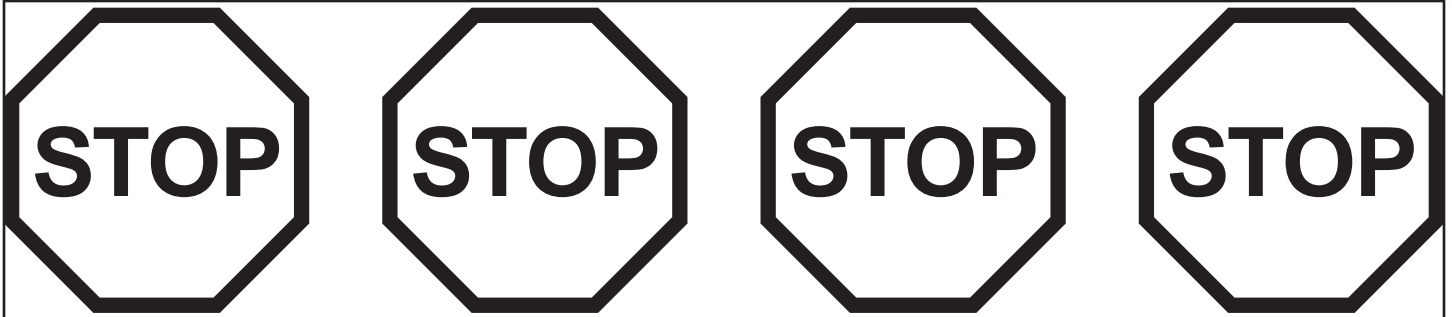
2pc. - 50mm Hook (Y00418-050)

1pc. - 1/4" Eye Lag (Y00218-001)

1pc. - Roof Peak Set (Y70829-125)

2pc. Contoured Washer (Y05918-211)

Step 1: Inventory Parts - Read This Before Starting Assembly



- A.** This is the time for you to inventory all your hardware, wood and accessories, referencing the parts identification sheets. This will assist you with your assembly.
- Each step indicates which bolts and/or screws you will need for assembly, as well as any flat washers, lock washers, t-nuts or lock nuts.
- B.** If there are any missing or damaged pieces or you need assistance with assembly please contact the consumer relations department directly. Call us before going back to the store.

1-888-509-4382
support@yardistrystructures.com

- C.** Read the assembly manual completely, paying special attention to ANSI warnings; notes; and safety/maintenance information on pages 1 - 4.
- Follow the instructions in order.
 - This structure is designed to be assembled and installed ideally by four people, DO NOT attempt to install alone.
 - Consider the slope of elevation where you plan to install the structure. Also, check for gas, telephone, other utilities or sprinkler line locations prior to excavating any holes.
- D.** Before you discard your cartons fill out the form below.
- The carton I.D. stamp is located on the end of each carton.
 - Please retain this information for future reference. You will need this information if you contact the Consumer Relations Department.

PRODUCT NUMBER: YM11772

CARTON I.D. STAMP: __ __ __ __ __ __ (Box 1)
CARTON I.D. STAMP: __ __ __ __ __ __ (Box 2)
CARTON I.D. STAMP: __ __ __ __ __ __ (Box 3)

Step 2: Post Assemblies

A: At the bottom of four (696) M Posts insert two 5/16" T-Nuts as shown in fig. 2.1 and 2.2.

B: At the bottom of each (696) M Post place two Post Mounts tight to the bottom and inside faces as shown in fig. 2.1 and 2.2. Loosely attach with one 5/16 x 1-1/4" Hex Bolt (with 5/16" lock washer and 1/4-5/16" large washer) per mount so they connect to the T-Nuts.

C: On each side of the Posts, place one (422) Plinth flush to the bottom and attach with four #8 x 1-1/2" Wood Screws per plinth. Rounded edges on top. (fig. 2.1 and 2.3)

D: From the bottom of each Post Mount attach to posts with two #8 x 1-1/2" Wood Screws per mount and then from the inside with two #10 x 1-1/4" Pan Screws per mount. These screws are installed at a slight angle. Tighten all bolts. There will be four M Post Assemblies. (fig. 2.4)

Fig. 2.1

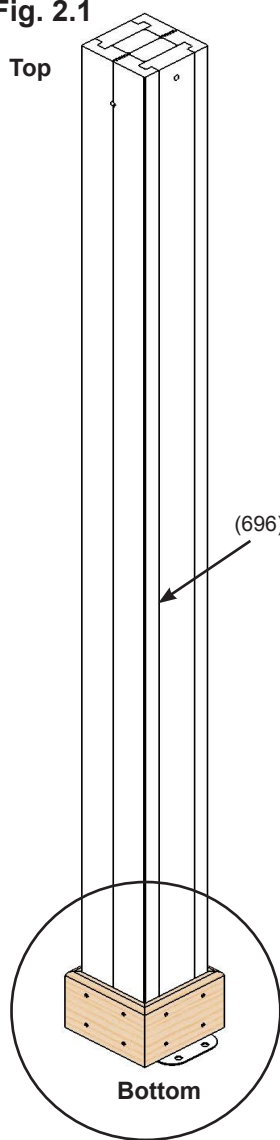


Fig. 2.2

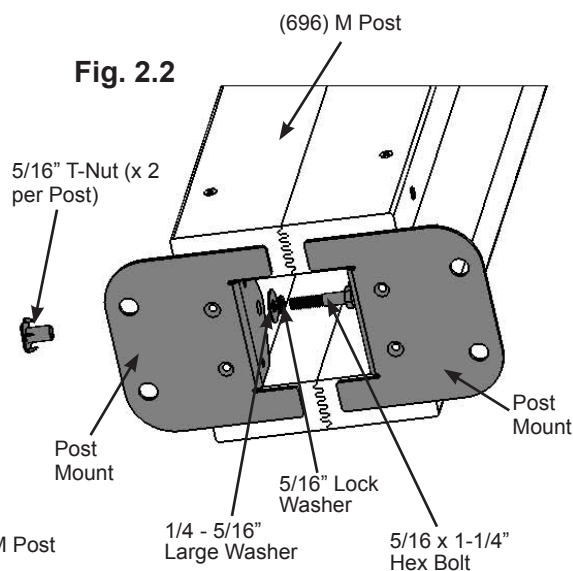


Fig. 2.3

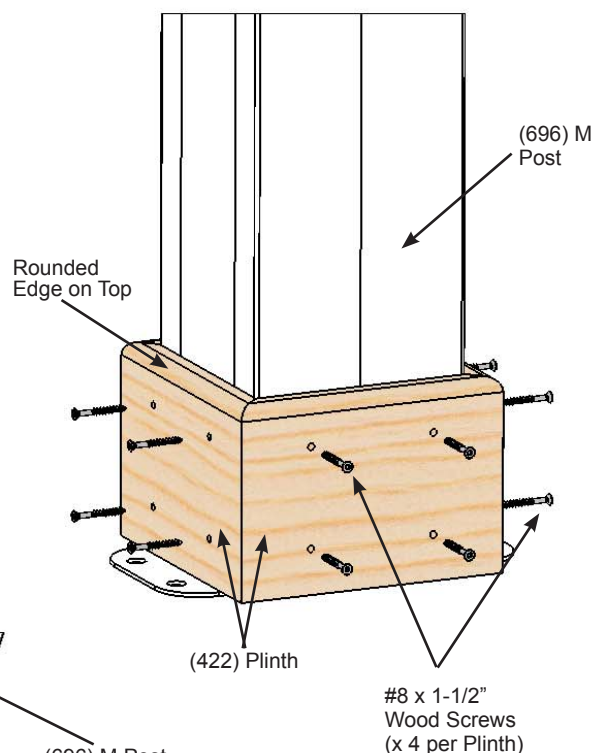
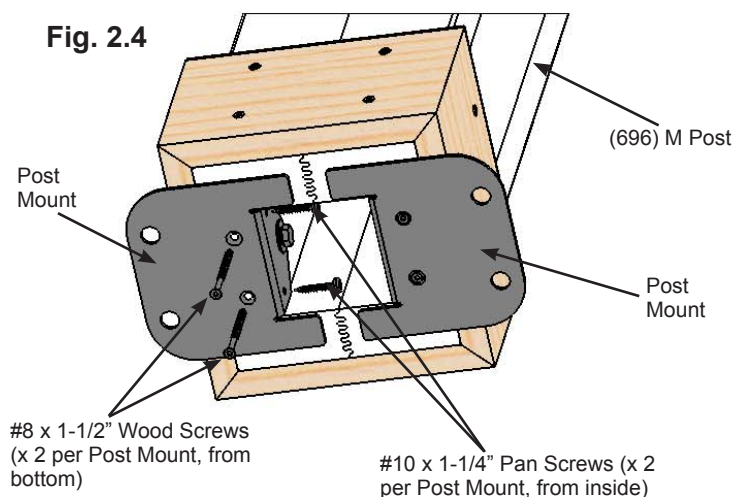


Fig. 2.4



Wood Parts

4 x (696) M Post
16 x (422) Plinth

Hardware

16 x #10 x 1-1/4" Pan Screw
80 x #8 x 1-1/2" Wood Screw
8 x Post Mount
8 x 5/16" T-Nut
8 x 5/16 x 1-1/4" Hex Bolt
(with 5/16" lock washer, 1/4-5/16" large washer)

Step 3: Short Beam Assembly Part 1

A: Connect one (714) Beam Short Left and one (715) Beam Short Right using two 5/16 x 1-1/2" Hex Bolts (with 5/16" lock washer, 1/4-5/16" large washer and 5/16" t-nut) as shown in fig. 3.1 and 3.2.

B: Connect one (712) Beam Short End to each end of one (713) Beam Short Centre using two 5/16 x 1-1/2" Hex Bolts (with 5/16" lock washer, 1/4-5/16" large washer and 5/16" t-nut) per end as shown in fig. 3.1 and 3.2.

C: Repeat Steps A and B one more time to make two Short Beam L-R Assemblies and two Short Beam End Assemblies.

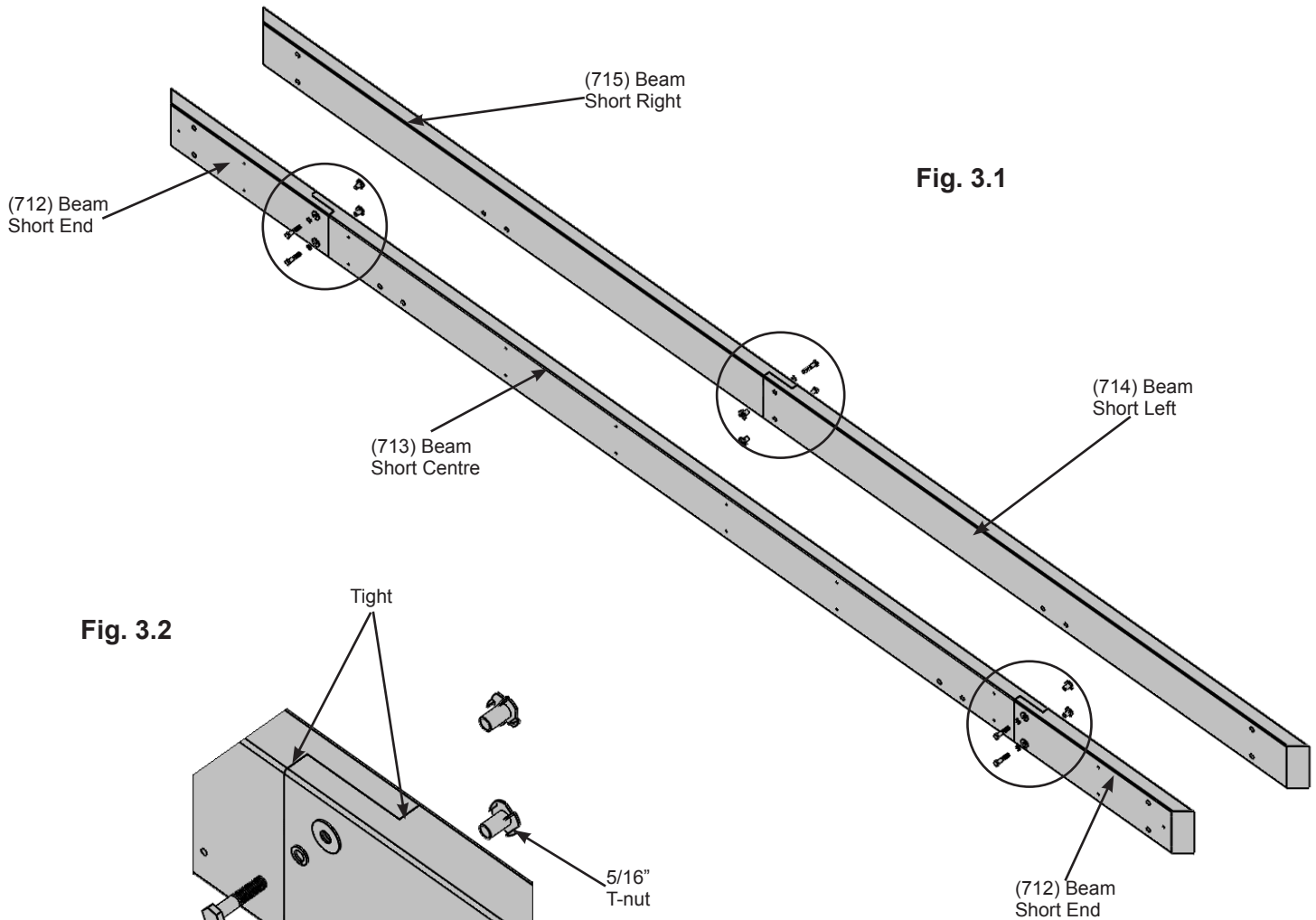


Fig. 3.1

Fig. 3.2

Make sure bolt heads are on the outside of each Beam Assembly

Wood Parts

- 4 x (712) Beam Short End
- 2 x (713) Beam Short Centre
- 2 x (714) Beam Short Left
- 2 x (715) Beam Short Right

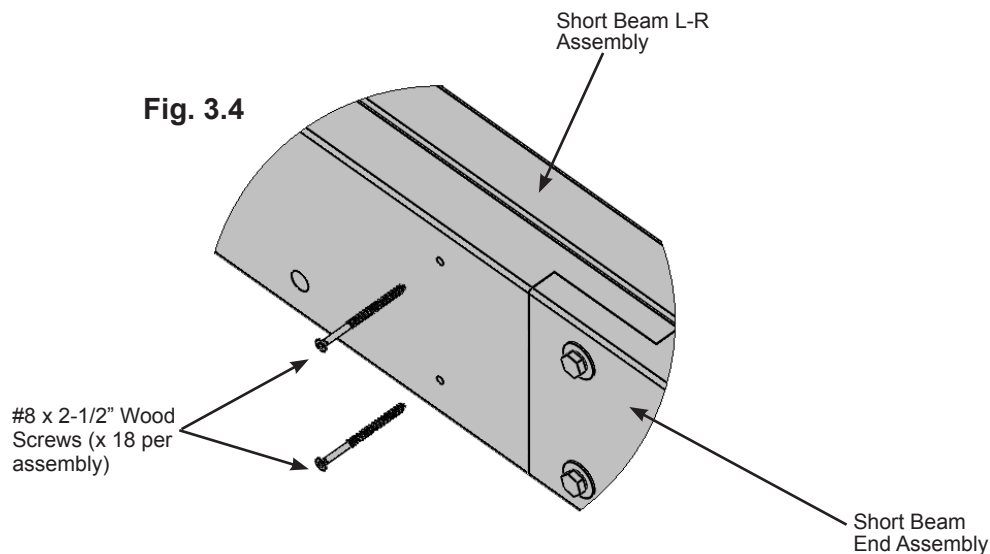
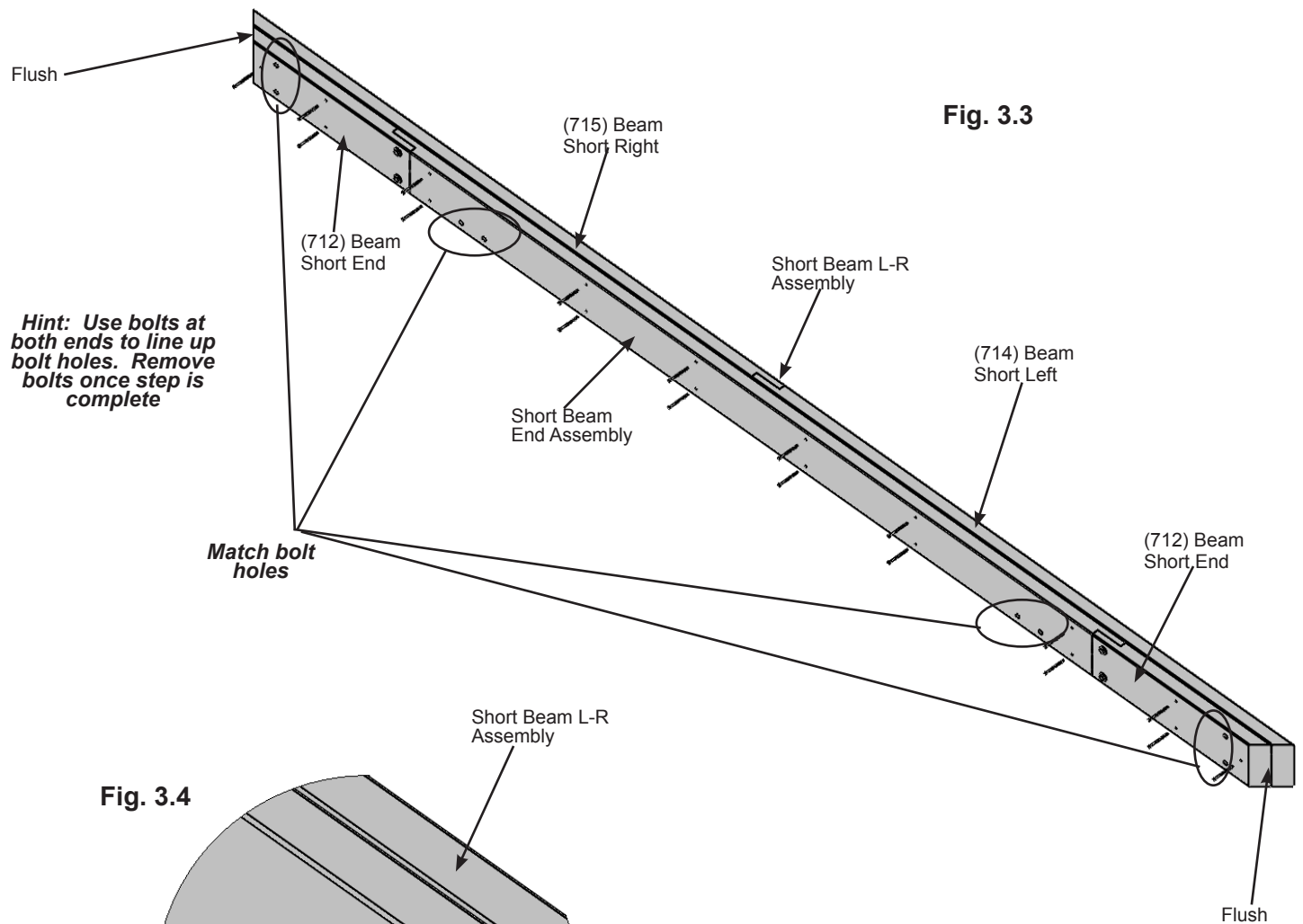
Hardware

- 12 x 5/16 x 1-1/2" Hex Bolt
(5/16" lock washer, 1/4-5/16" large washer, 5/16" t-nut)

Step 3: Short Beam Assembly Part 2

D: Place one Short Beam L-R Assembly tight to one Short Beam End Assembly so the ends are flush. Match the bolt holes in each (712) Beam Short End with the bolt holes in (714) Beam Short Left and (715) Beam Short Right. Attach with 18 #8 x 2-1/2" Wood Screws. (fig. 3.3 and 3.4)

E: Repeat Step D one more time to make two Short Beam Assemblies.



Hardware

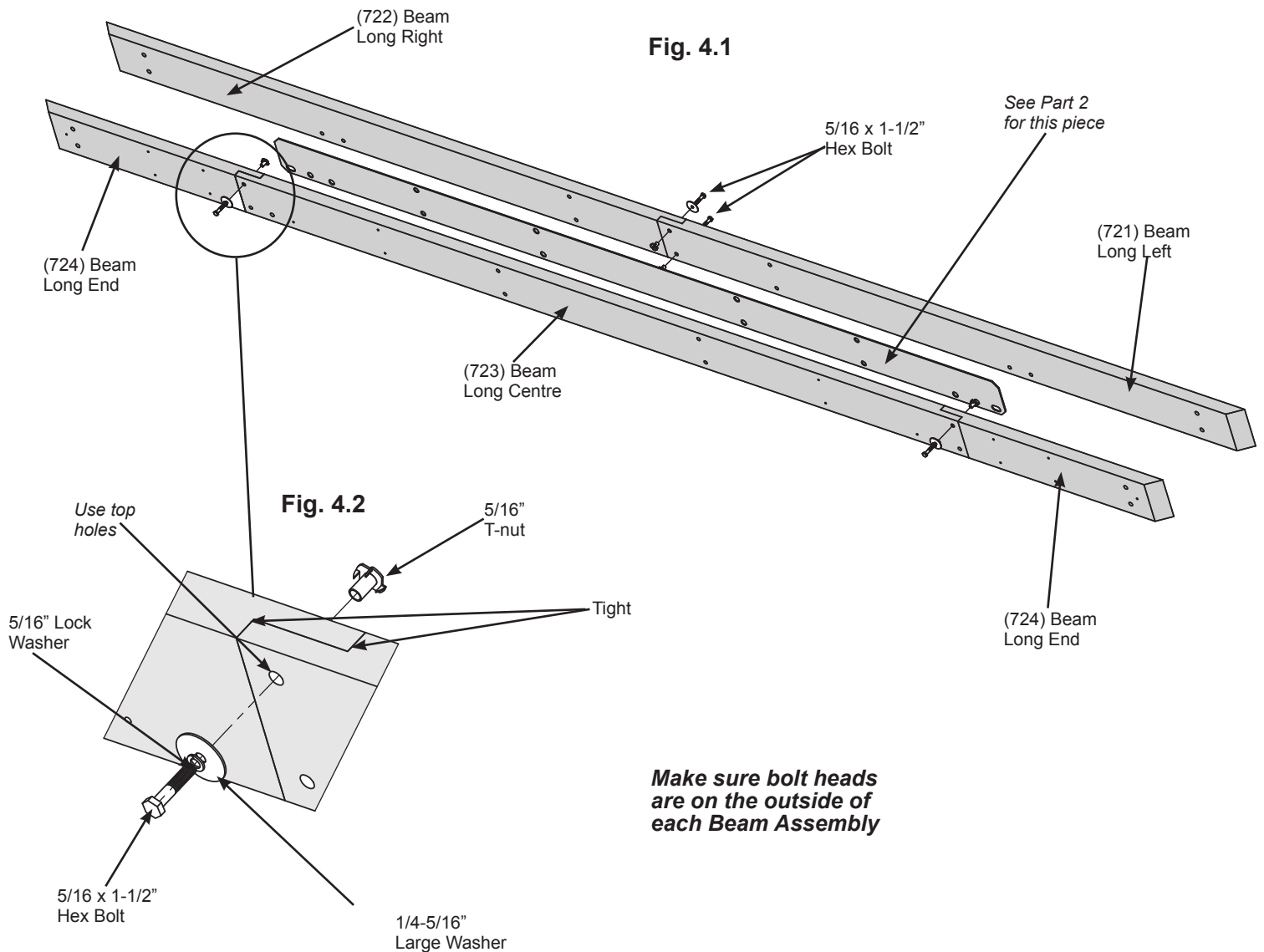
36 x #8 x 2-1/2" Wood Screw

Step 4: Long Beam Assembly Part 1

A: Connect one (721) Beam Long Left and one (722) Beam Long Right using two 5/16 x 1-1/2" Hex Bolts (with 5/16" lock washer, 1/4-5/16" large washer and 5/16" t-nut) as shown in fig. 4.1 and 4.2.

B: Connect one (724) Beam Long End to each end of one (723) Beam Long Centre using one 5/16 x 1-1/2" Hex Bolt (with 5/16" lock washer, 1/4-5/16" large washer and 5/16" t-nut) in the top holes per end as shown in fig. 4.1 and 4.2.

C: Repeat Steps A and B one more time to make two Long Beam L-R Assemblies and two Long Beam End Assemblies.



Wood Parts

- 4 x (724) Beam Long End
- 2 x (723) Beam Long Centre
- 2 x (721) Beam Long Left
- 2 x (722) Beam Long Right

Hardware

- 8 x 5/16 x 1-1/2" Hex Bolt
(5/16" lock washer, 1/4-5/16" large washer, 5/16" t-nut)

Step 4: Long Beam Assembly Part 2

D: Place one Long Beam Insert in between one Long Beam L-R Assembly and one Long Beam End Assembly then fit tight together so the beam assembly ends are flush. Match the bolt holes and wood screw pilot holes in both beam assemblies and Long Beam Insert. (fig. 4.3, 4.4 and 4.5)

E: Attach beam assemblies and Long Beam Insert together with four 5/16 x 3" Hex Bolts (with 5/16" lock washer, 1/4-5/16" large washer and 5/16" t-nut) and 16 #8 x 2-1/2" Wood Screws. (fig. 4.5, 4.6 and 4.7)

F: Repeat Step D-E make a second Long Beam Assembly.

Fig. 4.3

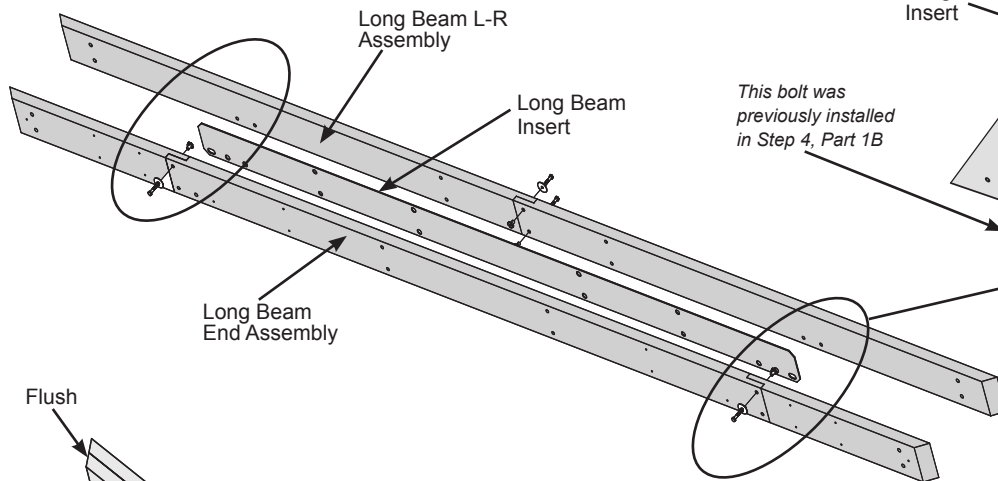


Fig. 4.4

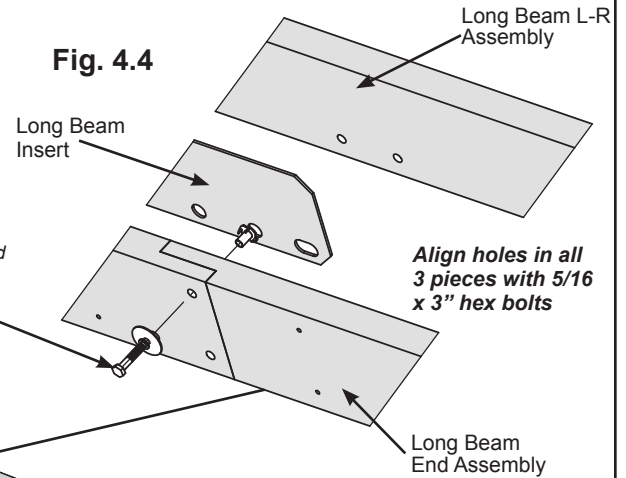


Fig. 4.5

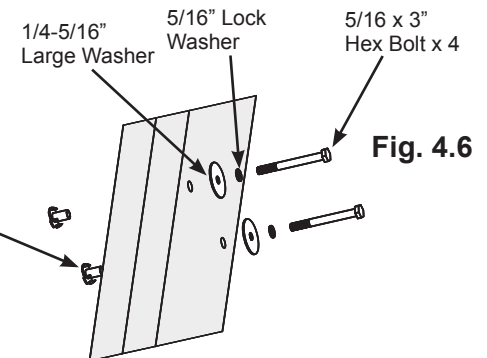
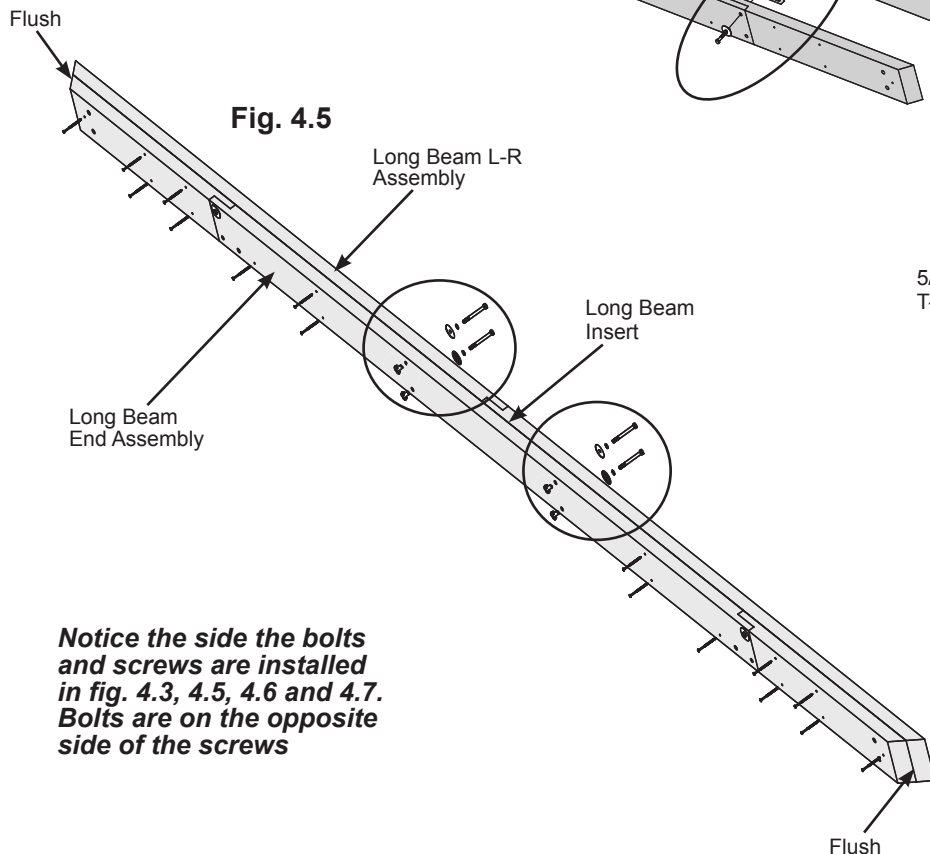
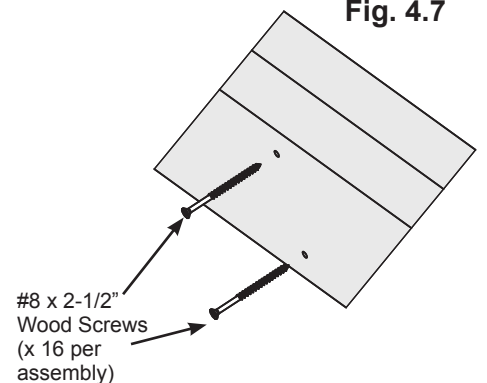


Fig. 4.7



Components:

2 x Long Beam Insert

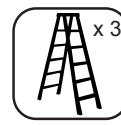
Hardware

32 x #8 x 2-1/2" Wood Screw

8 x 5/16 x 3" Hex Bolt

(5/16" lock washer, 1/4-5/16" large washer, 5/16" t-nut)

Step 5: Frame Assembly and Anchoring Part 1



A: Move your Post Assemblies to the final location. Make sure the ground is flat and level before continuing assembly.

B: With one person at each Post stand two complete Post Assemblies. A third person places one Long Beam Assembly against the outside of two Posts, flush to the tops and outside corners. Notice bolt hole orientation on the Long Beam Assembly and the long side of the Post Assembly is along the Long Beam Assembly. A fourth person attaches Beam to Post with one 3/8 x 9-1/2" Hex Bolt (with two 3/8" large washers and one 3/8" lock nut) per Post. The distance from the outside of one Post to the outside of the second Post should be 12' 10-3/8" (3.92 m). (fig. 5.1, 5.2 and 5.3)

C: Place one Short Beam Assembly against the outside of two Posts, flush to the tops and outside corners and tight to Long Beam Assembly. Notice bolt hole orientation on the Short Beam Assembly and the short side of the Post Assembly is along the Short Beam Assembly. Attach Beam to Post with one 3/8 x 9-1/2" Hex Bolt (with two 3/8" large washers and one 3/8" lock nut) per Post. The distance from the outside of one Post to the outside of the second Post should be 10' 10-3/8" (3.31 m). Continue until all four Beam Assemblies are attached and the corners are tight together. (fig. 5.1 and 5.2) See fig. 5.3 for accurate positioning of Posts.

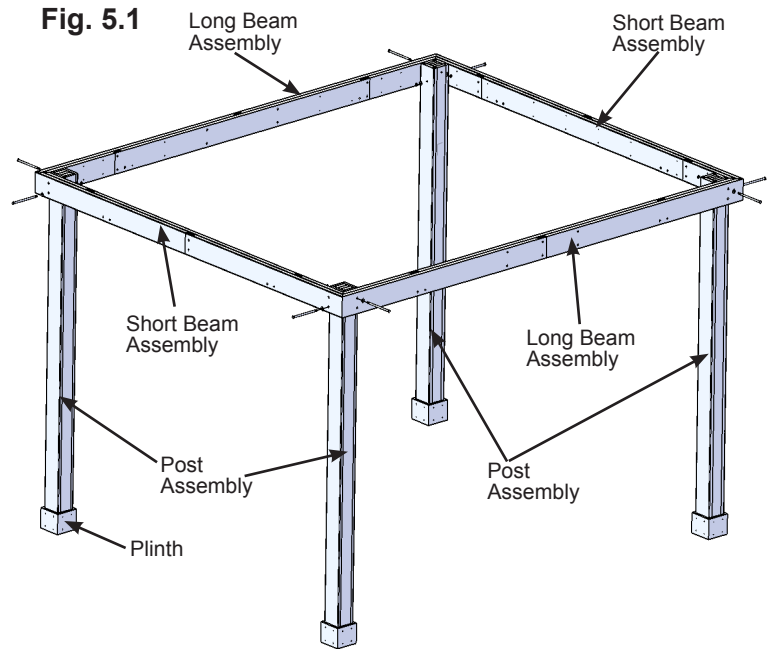


Fig. 5.1

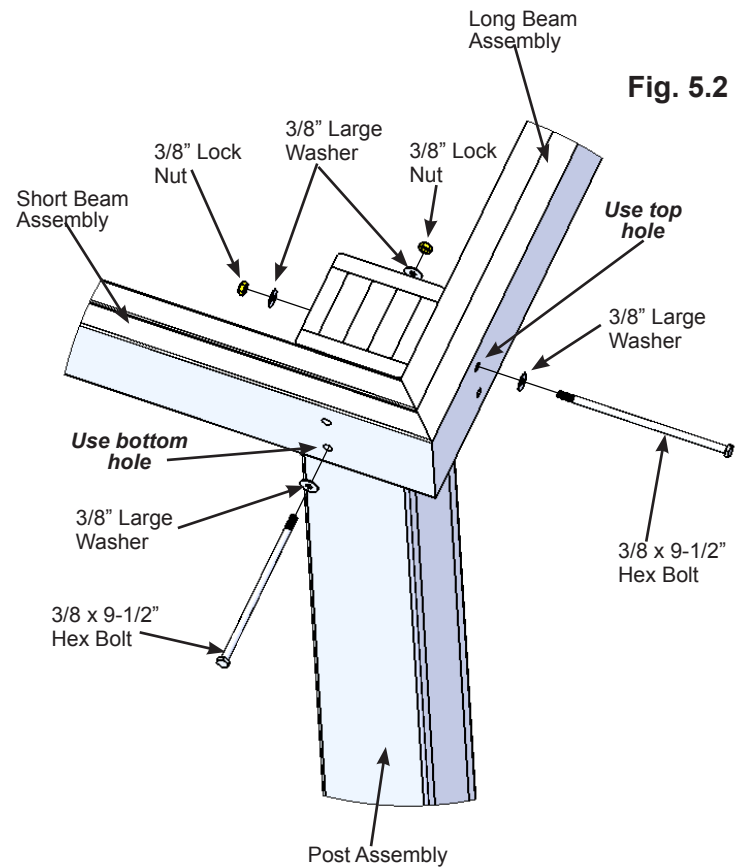


Fig. 5.2

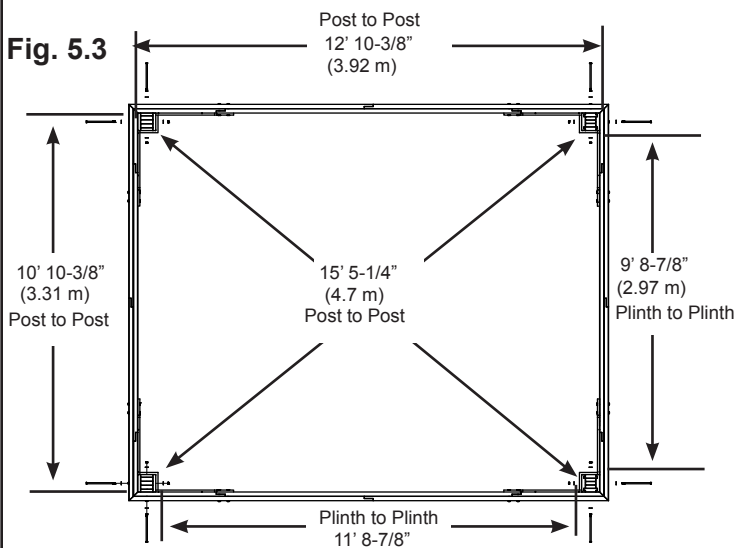


Fig. 5.3

Hardware

8 x 3/8 x 9-1/2" Hex Bolt (3/8" large washer x 2, 3/8" lock nut)

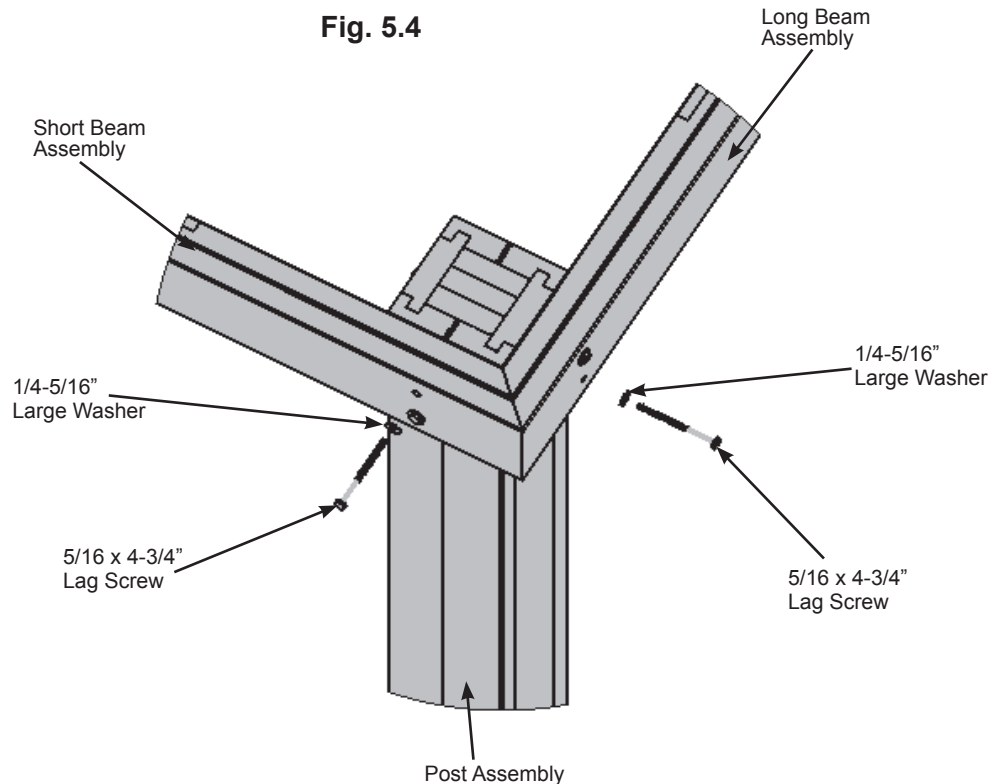
Step 5: Frame Assembly and Anchoring Part 2



D: Make sure each corner is square and level then attach Beam Assemblies to Post Assemblies with two 5/16 x 4-3/4" Lag Screws (with 1/4-5/16" large washer) per corner. (fig. 5.4)

E: Depending on what you are placing the Gazebo on will determine how you anchor it to that surface. Please refer to pages 6 and 7 for installation examples.

Any hardware or extra materials for mounting will have to be purchased in advance.



Hardware

8 x 5/16 x 4-3/4" Lag Screw (1/4-5/16" large washer)

Step 6: Attach Gussets and Roof Brackets



Note: The bevelled ends on each gusset should always face away from the wood it is attaching to.

A: Make sure the assembly is still square and level then facing one Long or Short Beam Assembly place one (705) Gusset Right on the right hand side so the top fits tight to the Beam Assembly and the bottom fits tight to the Post Assembly. Attach gusset to Beam Assembly with two 5/16 x 3-3/4" Hex Bolts (with 5/16" lock washer, 1/4-5/16" large washer and 5/16" t-nut). Pre-drill with a 1/8" drill bit then attach gusset to Post Assembly with three 1/4 x 1-15/16" Hex Lags (with 1/4-5/16" large washer). (fig. 6.1, 6.2 and 6.3)

B: Repeat Step A on the left hand side with one (706) Gusset Left. (fig. 6.1, 6.2 and 6.3)

C: Repeat Steps A and B for each Beam Assembly/Post Assembly. (fig. 6.1, 6.2 and 6.3)

D: At each corner, tight to the outside edges of the joining Beam Assemblies attach one Roof to Post Bracket with two #10 x 1-1/4" Pan Screws. (fig. 6.3 and 6.4)

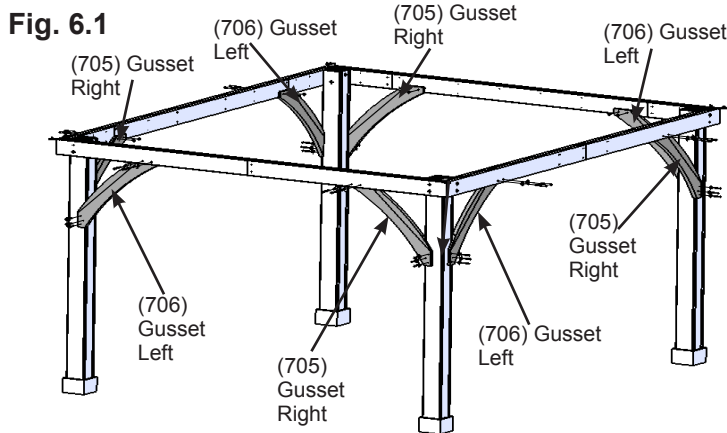


Fig. 6.2

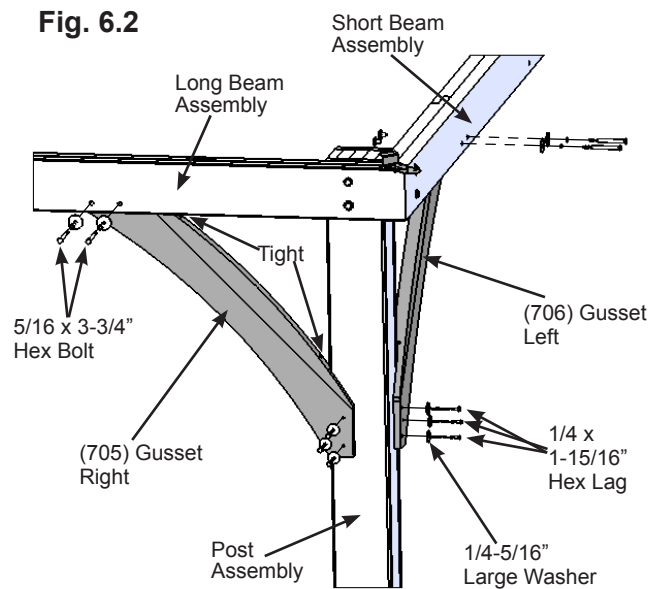


Fig. 6.3

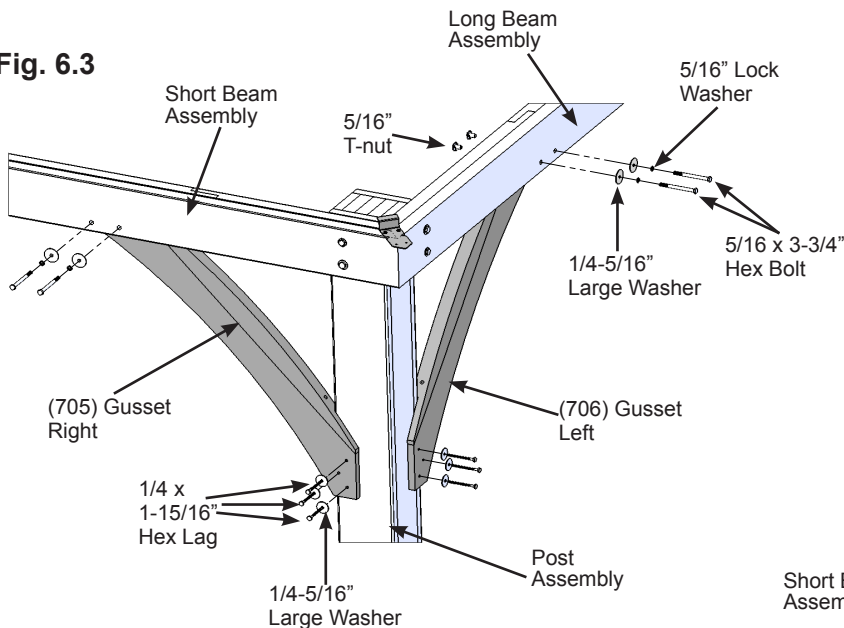
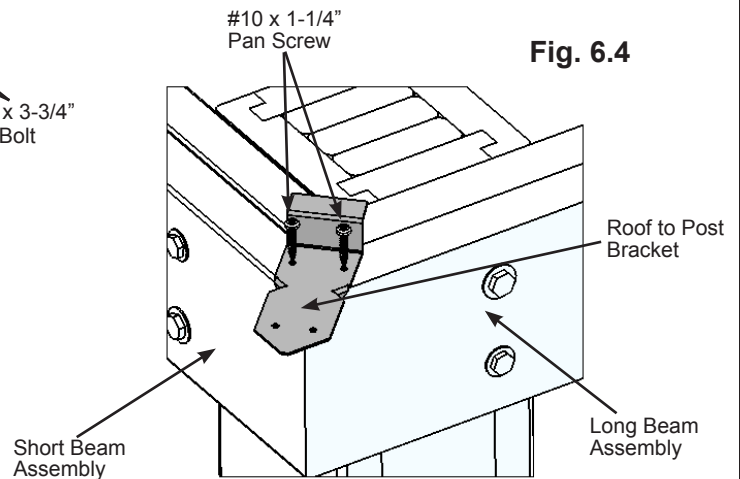


Fig. 6.4



Wood Parts

- 4 x (705) Gusset Right
- 4 x (706) Gusset Left

Hardware

- 24 x 1/4 x 1-15/16" Hex Lag (1/4-5/16" large washer)
- 16 x 5/16 x 3-3/4" Hex Bolt (5/16" lock washer, 1/4-5/16" large washer, 5/16" t-nut)
- 8 x #10 x 1-1/4" Pan Screw
- 4 x Roof to Post Bracket

Step 7: Fascia Beam Assemblies

A: Tightly connect one (443) Fascia Left and one (444) Fascia Right using one 5/16 x 1-1/2" Hex Bolt (with 5/16" lock washer, 1/4-5/16" large washer and 5/16" t-nut) as shown in fig. 7.1 and 7.2. Repeat to make a second Fascia Beam Assembly.

B: Tightly connect one (435) Fascia Left - Large Roof and one (436) Fascia Right - Large Roof using one 5/16 x 1-1/2" Hex Bolt (with 5/16" lock washer, 1/4-5/16" large washer and 5/16" t-nut) as shown in fig. 7.3 and 7.4. Repeat to make a second Large Fascia Beam Assembly.

Fig. 7.1

(443) Fascia Left

Fig. 7.2

Tight

5/16" T-nut

5/16 x 1-1/2" Hex Bolt

5/16" Lock Washer

1/4-5/16" Large Washer

(444) Fascia Right

Fig. 7.3

(435) Fascia Left - Large Roof

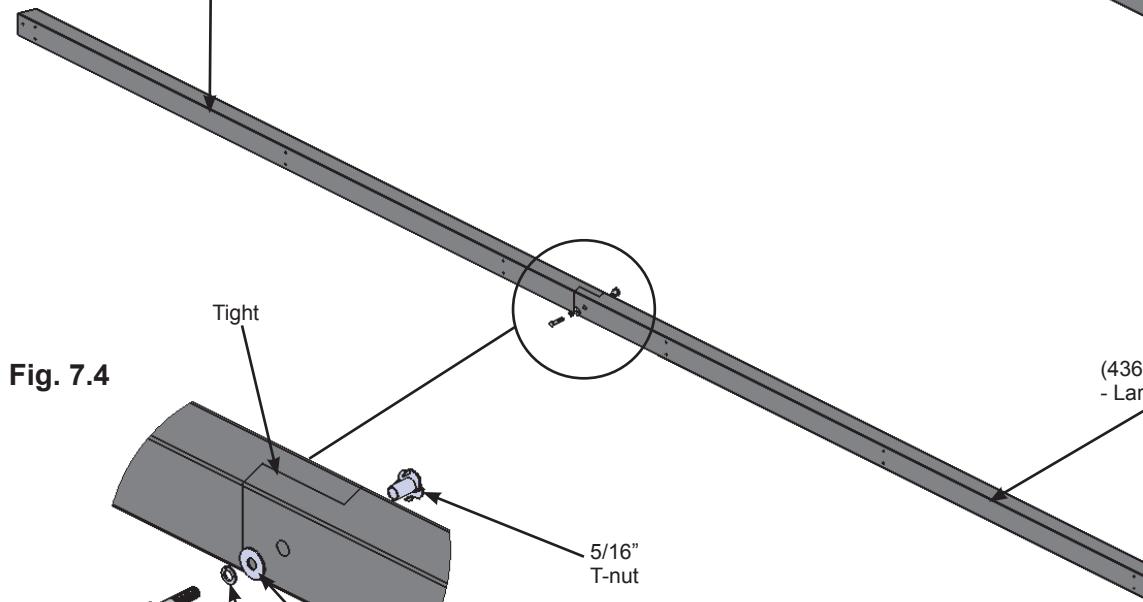


Fig. 7.4

Tight

(436) Fascia Right - Large Roof

5/16" T-nut

5/16 x 1-1/2" Hex Bolt

5/16" Lock Washer

1/4-5/16" Large Washer

Wood Parts

- 2 x (443) Fascia Left
- 2 x (444) Fascia Right
- 2 x (435) Fascia Left - Large Roof
- 2 x (436) Fascia Right - Large Roof

Hardware

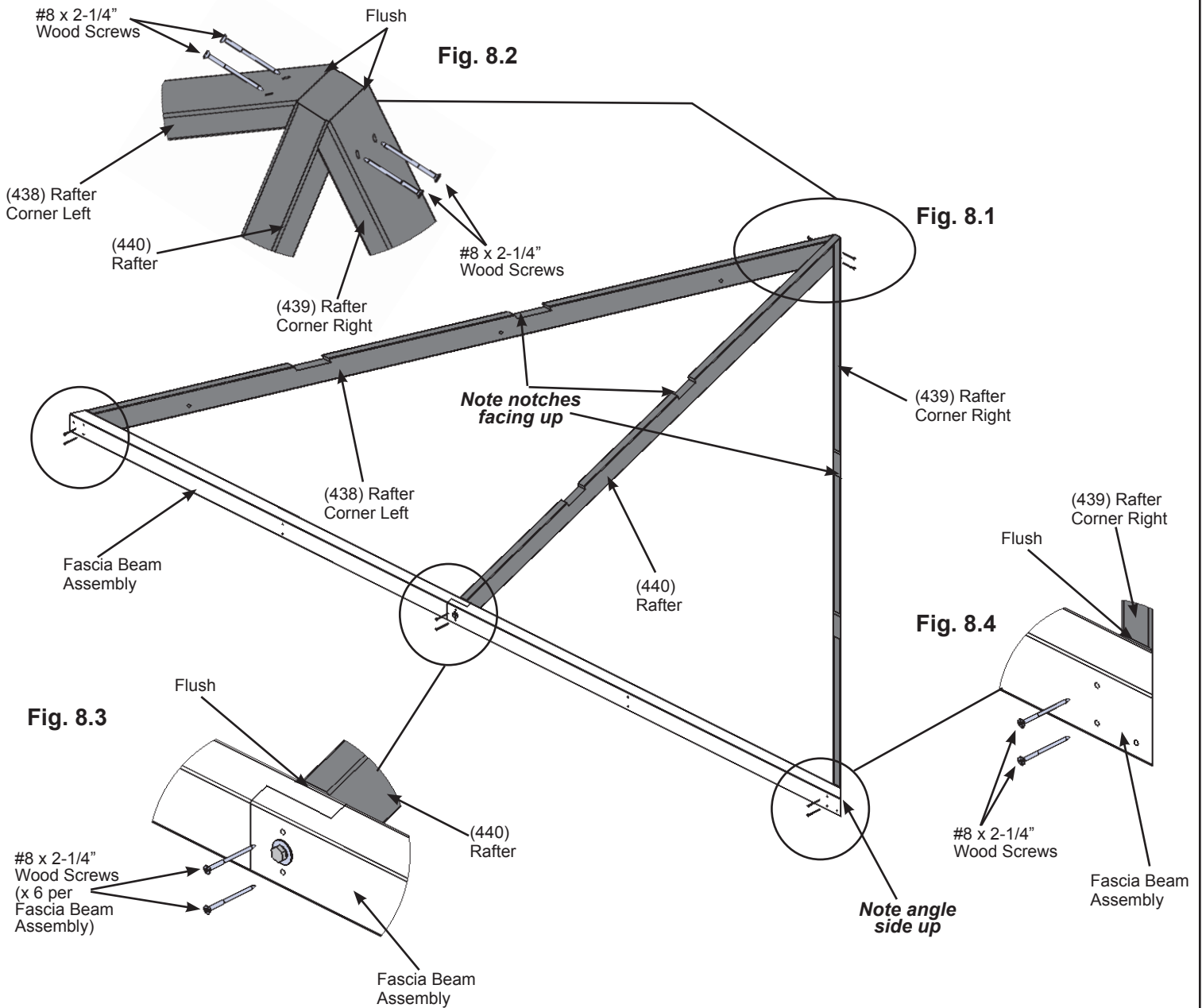
- 4 x 5/16 x 1-1/2" Hex Bolt
(5/16" lock washer, 1/4-5/16" large washer, 5/16" t-nut)

Step 8: Small Roof Rafter Assembly Part 1

A: On each side of one (440) Rafter place one (438) Rafter Corner Left and one (439) Rafter Corner Right so the tops and edges are flush then attach with two #8 x 2-1/4" Wood Screws per side. (Fig. 8.1 and 8.2)

B: Place Fascia Beam Assembly from Step 7A on the bottom of (438) Rafter Corner Left, (439) Rafter Corner Right and (440) Rafter so the sides are flush then attach with two #8 x 2-1/4" Wood Screws at each end and two in the middle. (fig. 8.1, 8.3 and 8.4)

C: Repeat Steps A and B to make a second Small Roof Rafter Assembly.



Wood Parts

- 2 x (440) Rafter
- 2 x (438) Rafter Corner Left
- 2 x (439) Rafter Corner Right

Hardware

- 20 x #8 x 2-1/4" Wood Screw

Step 8: Small Roof Rafter Assembly Part 2

D: Place one (337) Strap Short in the notches of (438) Rafter Corner Left, (439) Rafter Corner Right and (440) Rafter so the ends do not overhang the outside edges of the outside boards then attach with six #8 x 1-1/2" Wood Screws. (Fig. 8.5)

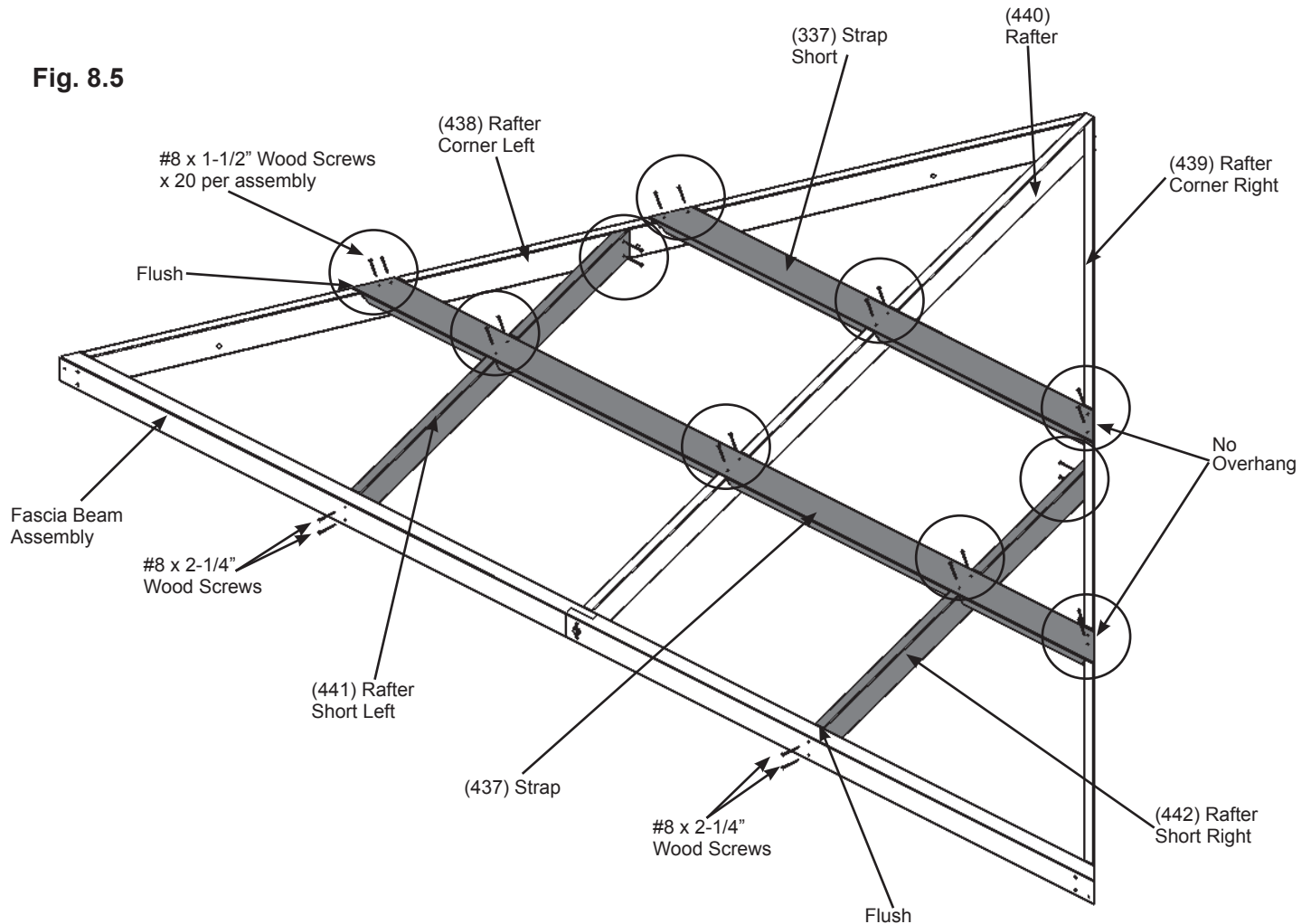
E: Place one (437) Strap in the notches of (438) Rafter Corner Left, (439) Rafter Corner Right and (440) Rafter so the ends do not overhang the outside edges of the outside boards. Do not attach yet. (fig. 8.5)

F: Place one (442) Rafter Short Right and one (441) Rafter Short Left in the notches of (437) Strap and attach as shown in fig. 8.5 with four #8 x 1-1/2" Wood Screws and two #8 x 2-1/4" Wood Screws per board.

G: Attach (437) Strap to (438) Rafter Corner Left, (439) Rafter Corner Right and (440) Rafter with six #8 x 1-1/2" Wood Screws. (fig. 8.5)

H: Complete Steps D, E, F and G for both Small Roof Rafter Assemblies.

Fig. 8.5



Wood Parts

- 2 x (337) Strap Short
- 2 x (437) Strap
- 2 x (442) Rafter Short Right
- 2 x (441) Rafter Short Left

Hardware

- 40 x #8 x 1-1/2" Wood Screw
- 8 x #8 x 2-1/4" Wood Screw

Step 9: Attach Roof to Beam Brackets - Small Roof Rafter Assembly

A: On the Back of one Small Roof Rafter Assembly, centred and flush to the bottom of (442) Rafter Short Right, (441) Rafter Short Left and (440) Rafter attach one Roof to Beam Bracket per board with one #8 x 1" Pan Screw in the bottom hole and one #12 x 1-1/2" Pan Screw in the top hole per bracket. Make sure to only install on one Small Roof Rafter Assembly, the second will not have brackets. (fig. 9.1 and 9.2)

Fig. 9.1

Back View

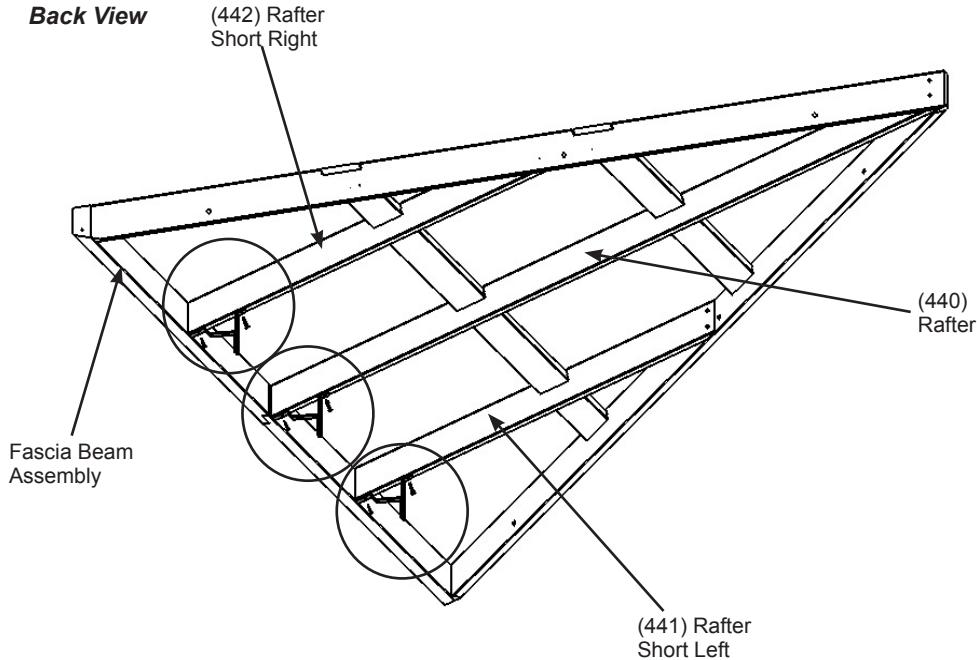
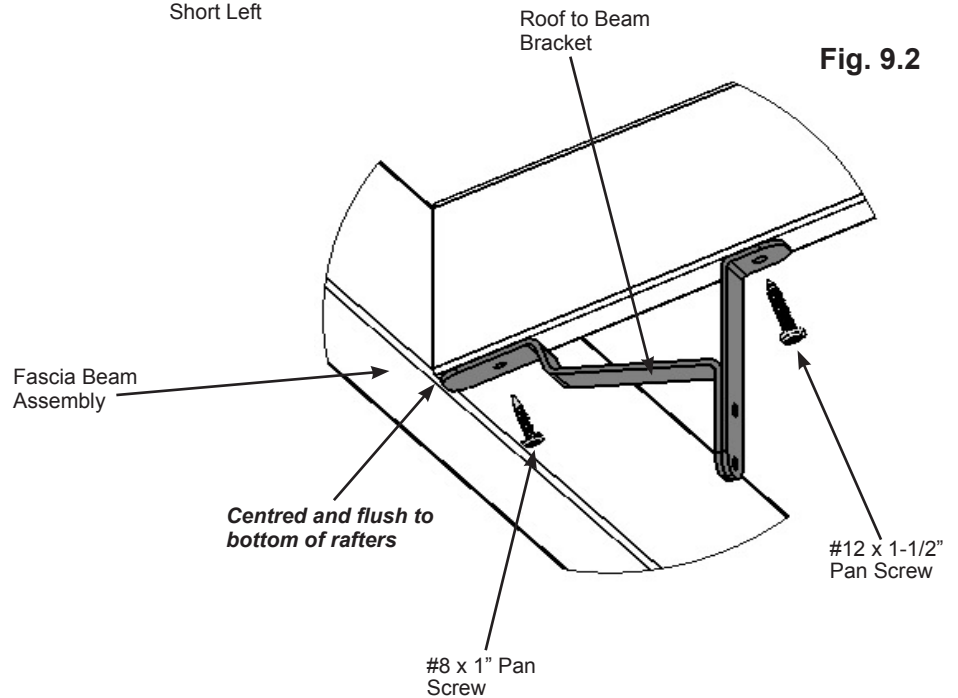


Fig. 9.2



Componets:

3 x Roof to Beam Bracket

Hardware

3 x #8 x 1" Pan Screw

3 x #12 x 1-1/2" Pan Screw

Step 10: Large Roof Rafter Assembly Part 1

A: On each side of one (434) Top place one (440) Rafter so the tops and edges are flush then attach with two #8 x 2-1/2" Wood Screws per side. (Fig. 10.1 and 10.2)

B: Place Large Fascia Beam Assembly from Step 7B on the bottom of (440) Rafters so the sides are flush and holes are centred on the (440) Rafters then attach with two #8 x 2-1/4" Wood Screws per (440) Rafter. (fig. 10.1 and 10.3)

C: Repeat Steps A and B to make a second Large Roof Rafter Assembly.

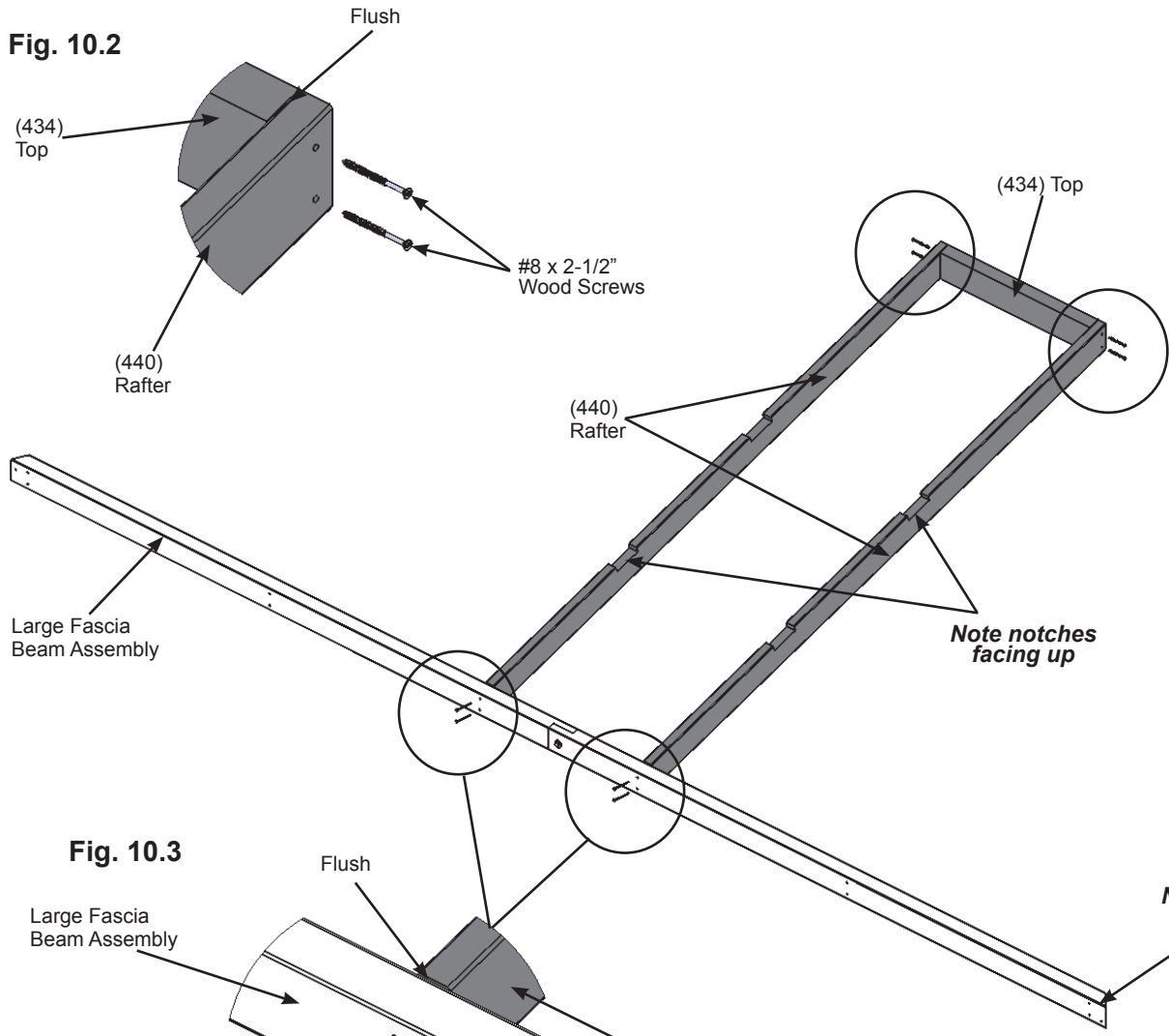


Fig. 10.3

Fig. 10.1

Wood Parts

- 4 x (440) Rafter
- 2 x (434) Top

Hardware

- 8 x #8 x 2-1/4" Wood Screw
- 8 x #8 x 2-1/2" Wood Screw

Step 10: Large Roof Rafter Assembly Part 2

D: Beside each (440) Rafter place one (438) Rafter Corner Left and one (439) Rafter Corner Right so the tops and edges are flush and the bottom edges are flush to Large Fascia Beam Assembly then attach with two #8 x 2-1/4" Wood Screws to the top and bottom of the rafters per side. (Fig. 10.4, 10.5 and 10.6)

E: Repeat Step D for the second Large Roof Rafter Assembly.

Fig. 10.5

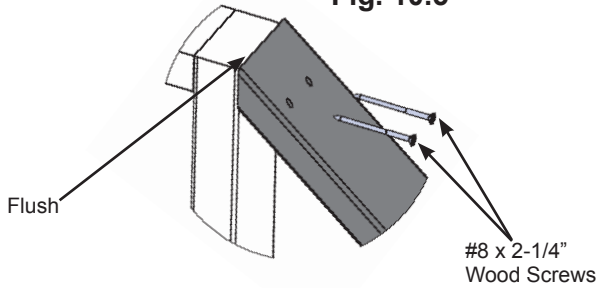


Fig. 10.4

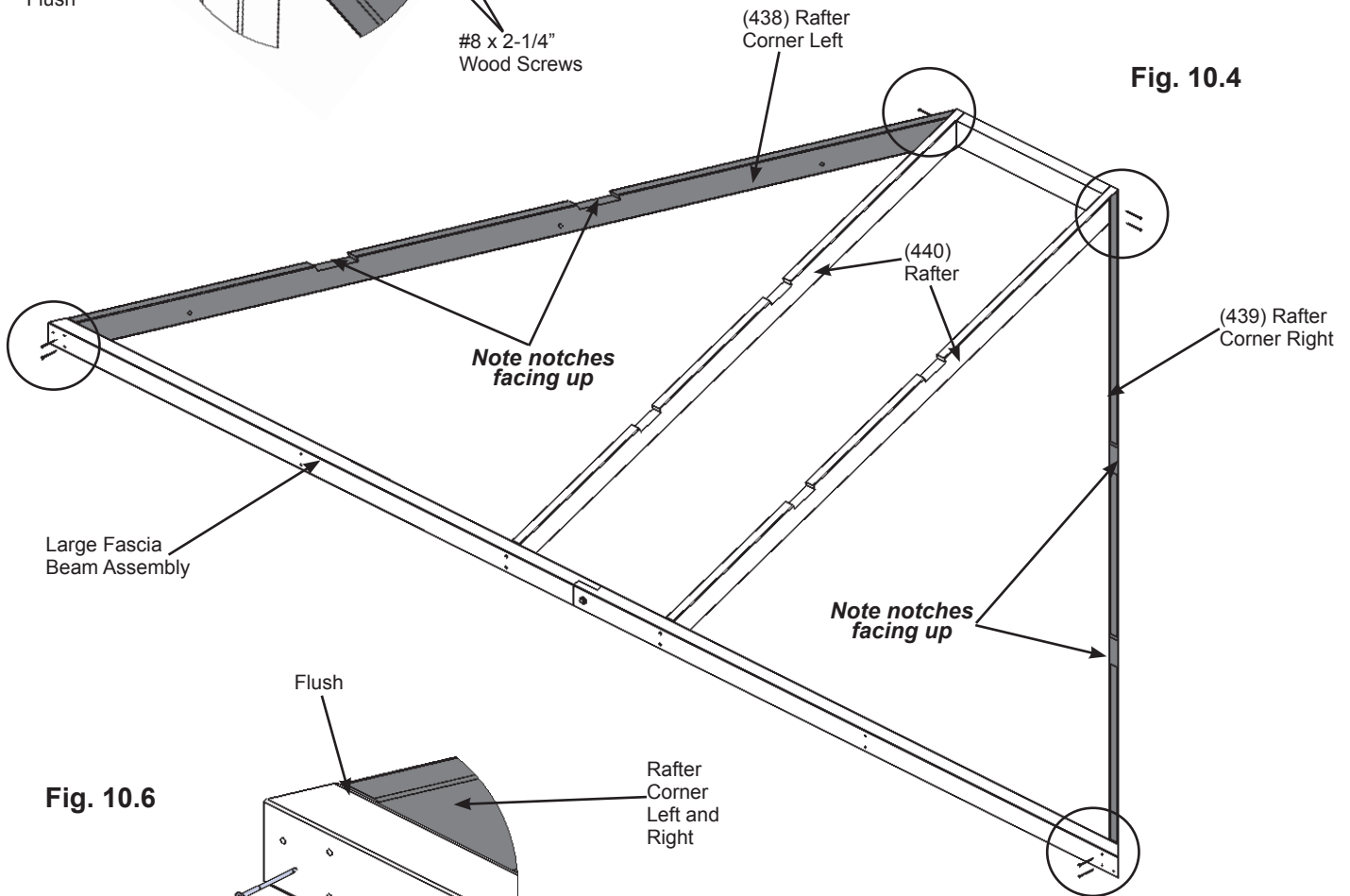
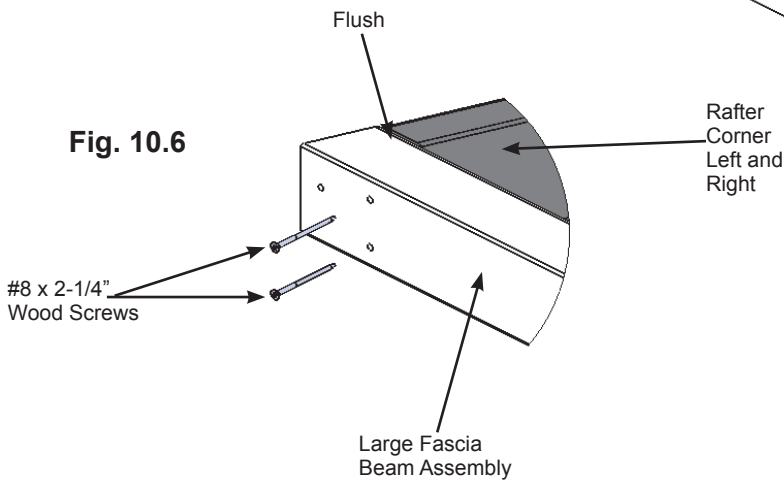


Fig. 10.6



Wood Parts

- 2 x (438) Rafter Corner Left
- 2 x (439) Rafter Corner Right

Hardware

- 16 x #8 x 2-1/4" Wood Screw

Step 10: Large Roof Rafter Assembly Part 3

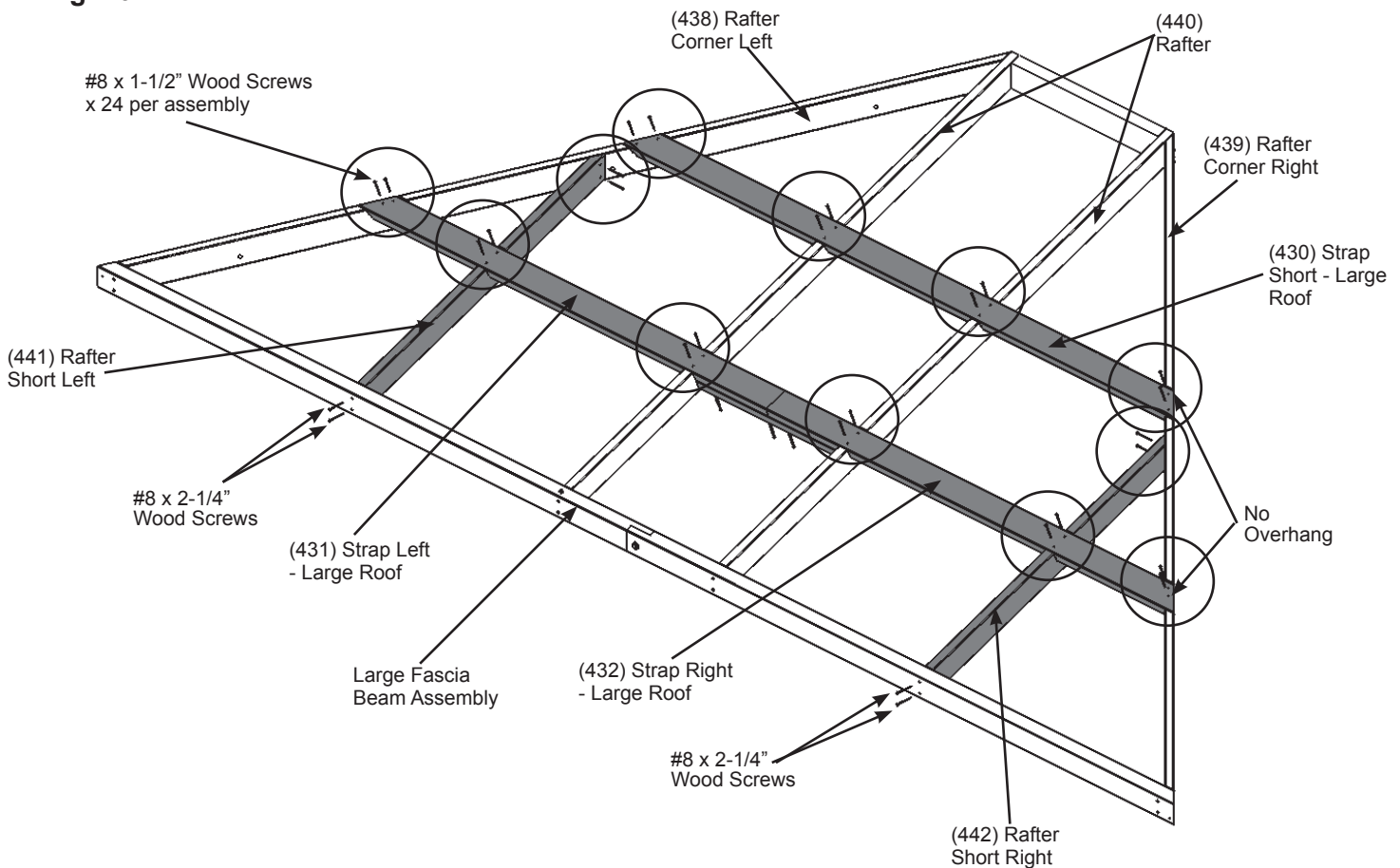
F: Place one (430) Strap Short - Large Roof in the notches of (438) Rafter Corner Left, (439) Rafter Corner Right and both (440) Rafters so the ends do not overhang the outside edges of the outside boards then attach with eight #8 x 1-1/2" Wood Screws. (Fig. 10.7)

G: Place one (431) Strap Left - Large Roof in the notches of (438) Rafter Corner Left and one (440) Rafter and one (432) Strap Right - Large Roof in the notches of (439) Rafter Corner Right and the other (440) Rafter so the ends do not overhang the outside edges of the outside boards. Boards are tight in the centre. Do not attach yet. (fig. 10.7)

H: Place one (442) Rafter Short Right in the notches of (432) Strap Right - Large Roof and one (441) Rafter Short Left in the notches of (431) Strap Left - Large Roof and attach to (438) Rafter Corner Left and (439) Rafter Corner Right with two #8 x 1-1/2" Wood Screws per board and to Large Fascia Beam Assembly with two #8 x 2-1/4" Wood Screws per board.

I: Attach (431) Strap Left - Large Roof and (432) Strap Right - Large Roof to (438) Rafter Corner Left, (439) Rafter Corner Right and (440) Rafter with six #8 x 1-1/2" Wood Screws per board. (fig. 10.7)

Fig. 10.7



Wood Parts

- 2 x (430) Strap Short - Large Roof
- 2 x (431) Strap Left - Large Roof
- 2 x (432) Strap Right - Large Roof
- 2 x (442) Rafter Short Right
- 2 x (441) Rafter Short Left

Hardware

- 48 x #8 x 1-1/2" Wood Screw
- 8 x #8 x 2-1/4" Wood Screw

Step 10: Large Roof Rafter Assembly Part 4

J: Turn Large Roof Rafter Assembly over then attach one (433) Strap Brace to (431) Strap Left - Large Roof and (432) Strap Right - Large Roof with eight #8 x 2-1/4" Wood Screws. Edges are flush. (fig. 10.8 and 10.9)

K: Complete Steps F - J for both Large Roof Rafter Assemblies.

Fig. 10.8
Front View

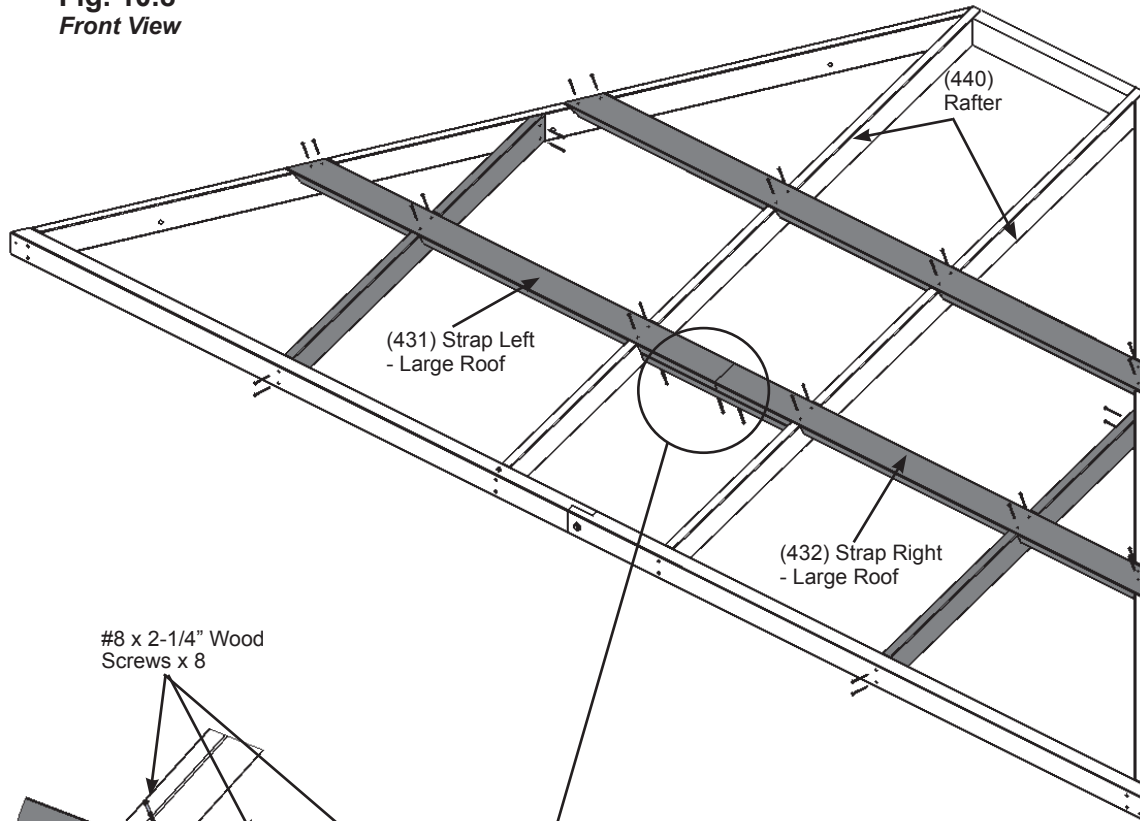
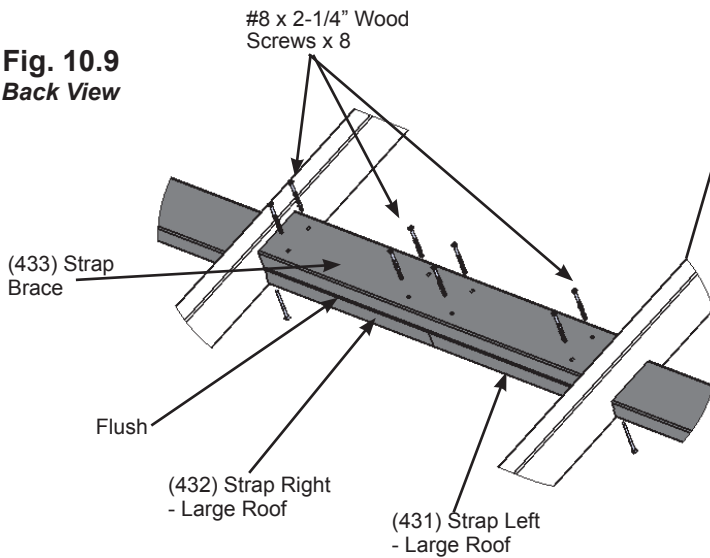


Fig. 10.9
Back View



Wood Parts

2 x (433) Strap Brace

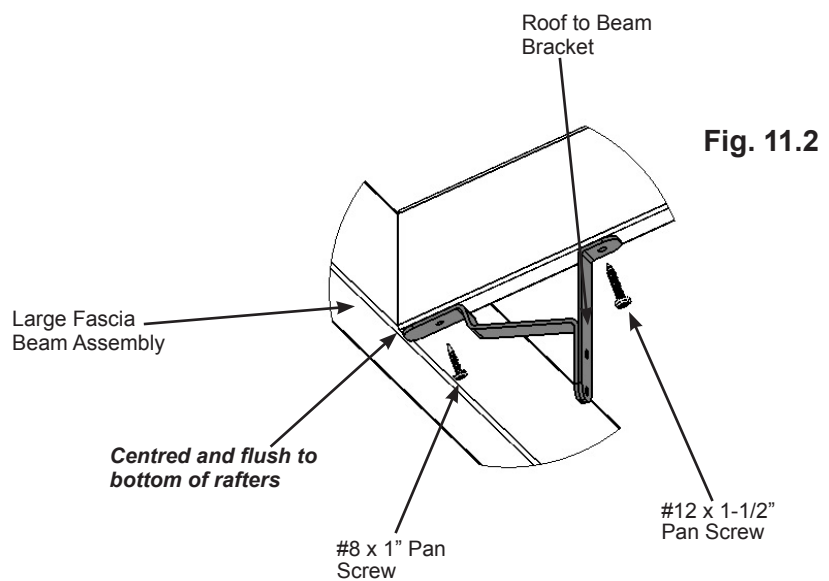
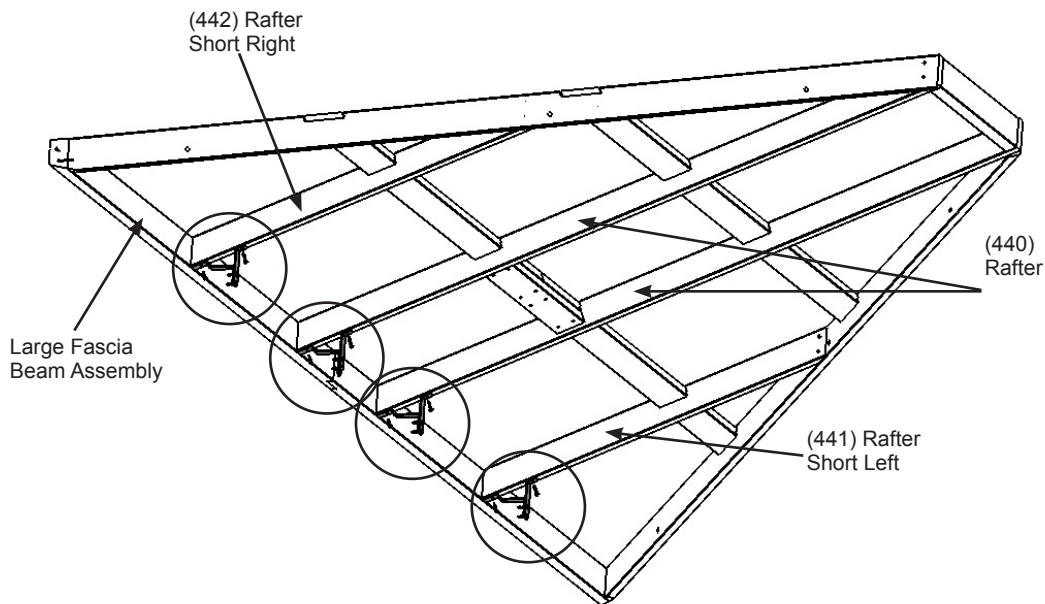
Hardware

16 x #8 x 2-1/4" Wood Screw

Step 11: Attach Roof to Beam Brackets - Large Roof Rafter Assemblies

A: On the Back of both Large Roof Rafter Assemblies, centred and flush to the bottom of (442) Rafter Short Right, (441) Rafter Short Left and both (440) Rafter attach one Roof to Beam Bracket per board with one #8 x 1" Pan Screw in the bottom hole and one #12 x 1-1/2" Pan Screw in the top hole per bracket. (fig. 11.1 and 11.2)

Fig. 11.1
Back View



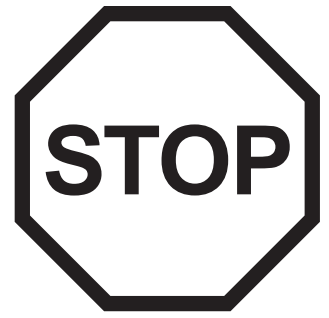
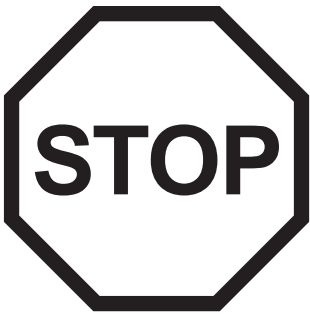
Componets:

8 x Roof to Beam Bracket

Hardware

8 x #8 x 1" Pan Screw

8 x #12 x 1-1/2" Pan Screw



INSTALLING ROOFING MATERIAL

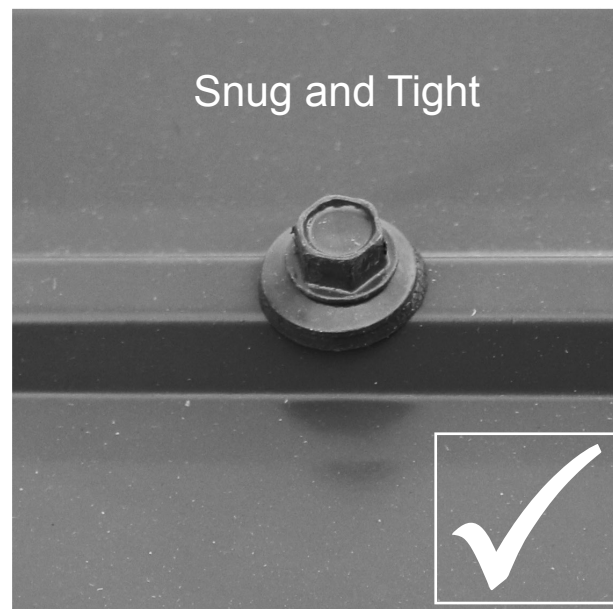
CAUTION!

Roofing material may have sharp edges! Wear gloves!

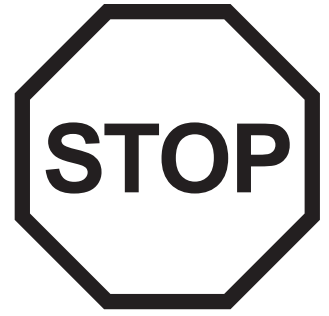
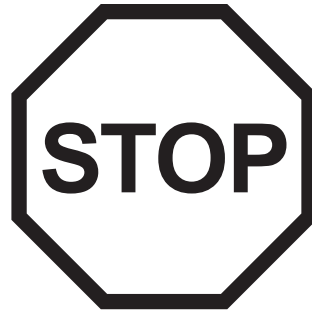
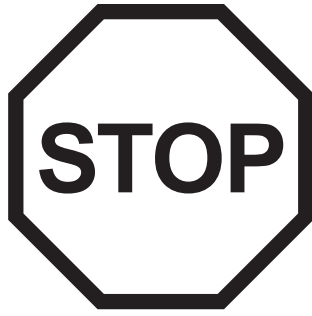
HANDLE WITH CARE!

Place roofing material on a non-abrasive surface before assembly as it can bend, dent and scratch easily.

**WARNING – DO NOT OVER TIGHTEN ROOFING SCREWS!
Over tightening screws will cause roofing material to crush.**



The roofing screws can easily crush the Roof Panels and Roof Edges when using a power drill. We recommend hand tightening the roofing screws so that they sit snug and tight to the roofing material.

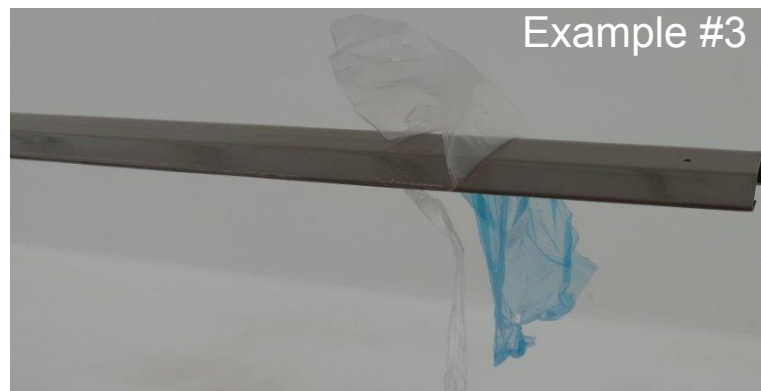
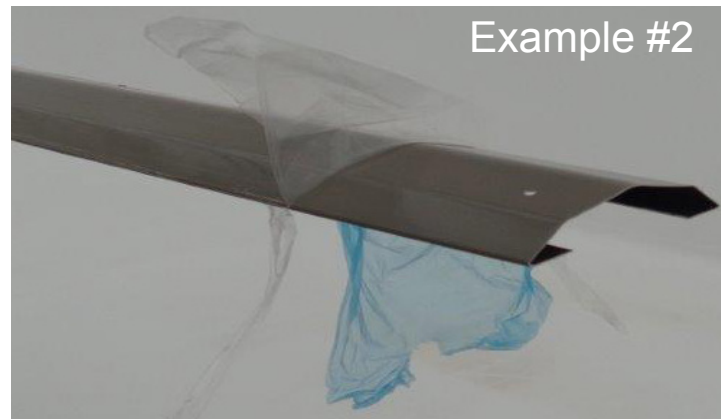
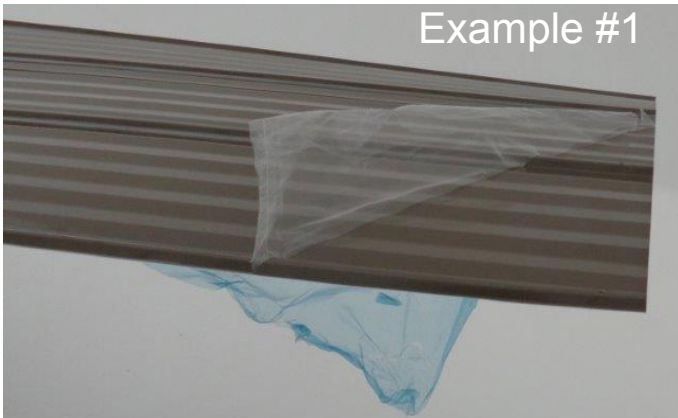


INSTALLING ROOFING MATERIAL

CAUTION!

Roofing material may have sharp edges! Wear gloves!

BE SURE TO REMOVE ALL PLASTIC COVERING, ON BOTH SIDES OF THE ALUMINUM PANELS AND TRIM, DIRECTLY BEFORE INSTALLING EACH PIECE. *(One side is clear and the other is blue, both must be removed.)*



Step 12: Attach Roof Panels - Small Roof Part 1

A: Place one Long Panel Left on the front of one Small Roof Rafter Assembly so it is flush to the side of (438) Rafter Corner Left and a slight overhang at the bottom of the Fascia Beam Assembly. Holes should line up with (440) Rafter. (fig. 12.1 and 12.2)

B: Place one Long Panel Right on Small Roof Rafter Assembly so it overlaps the Long Panel Left and it is flush to the side of (439) Rafter Corner Right and a slight overhang at the bottom of the Fascia Beam Assembly. (fig. 12.1 and 12.2)

C: Attach both Left and Right Long Panels to Small Roof Rafter Assembly with four #8 x 1" Roofing Screws in locations shown in fig. 12.1. Be sure not to overtighten screws.

D: Repeat Steps A - C for both Small Roof Rafter Assemblies.

DO NOT overtighten screws, could cause damage to roofing material

Fig. 12.2
Top, Side View

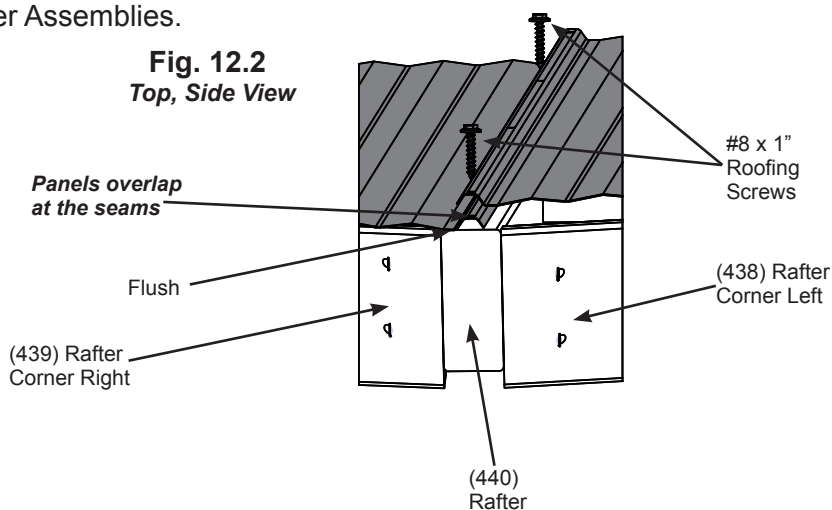
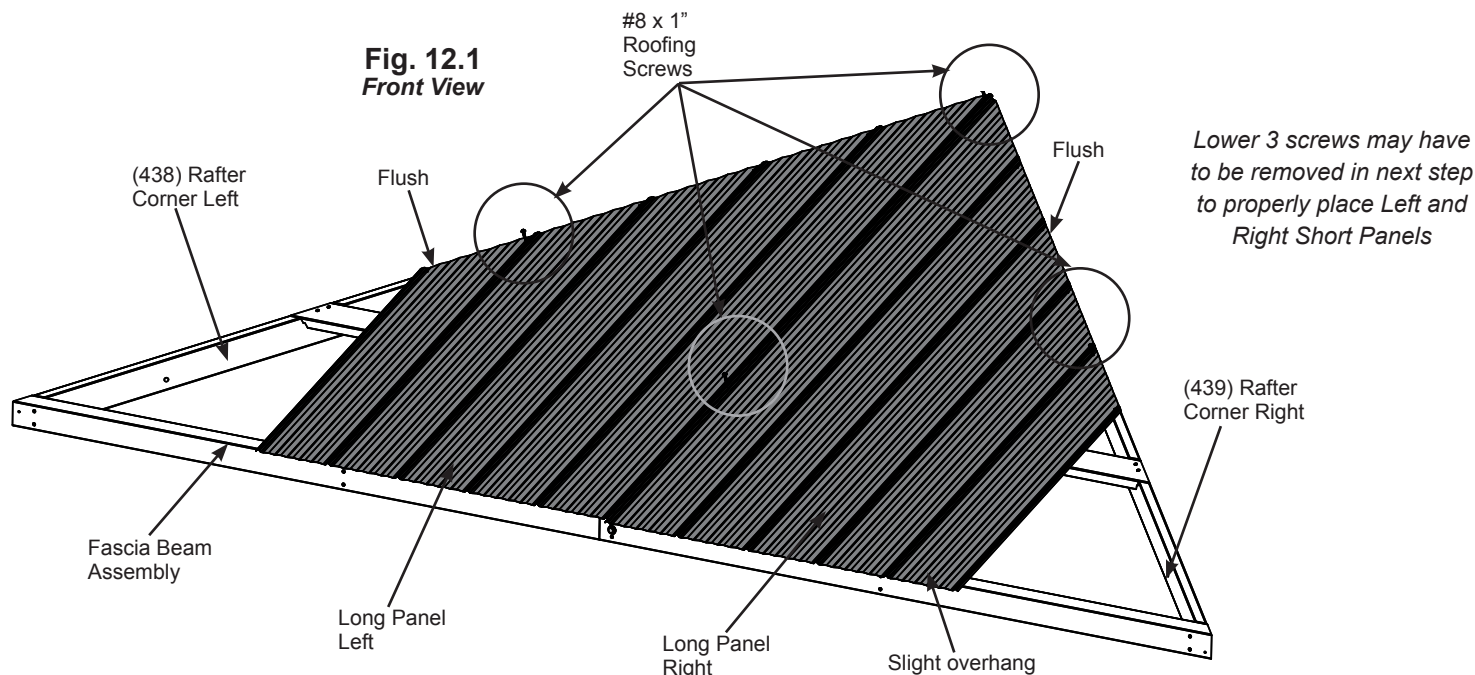


Fig. 12.1
Front View



Roof Parts

- 2 x Long Panel Left
- 2 x Long Panel Right

Hardware

- 8 x #8 x 1" Roofing Screw

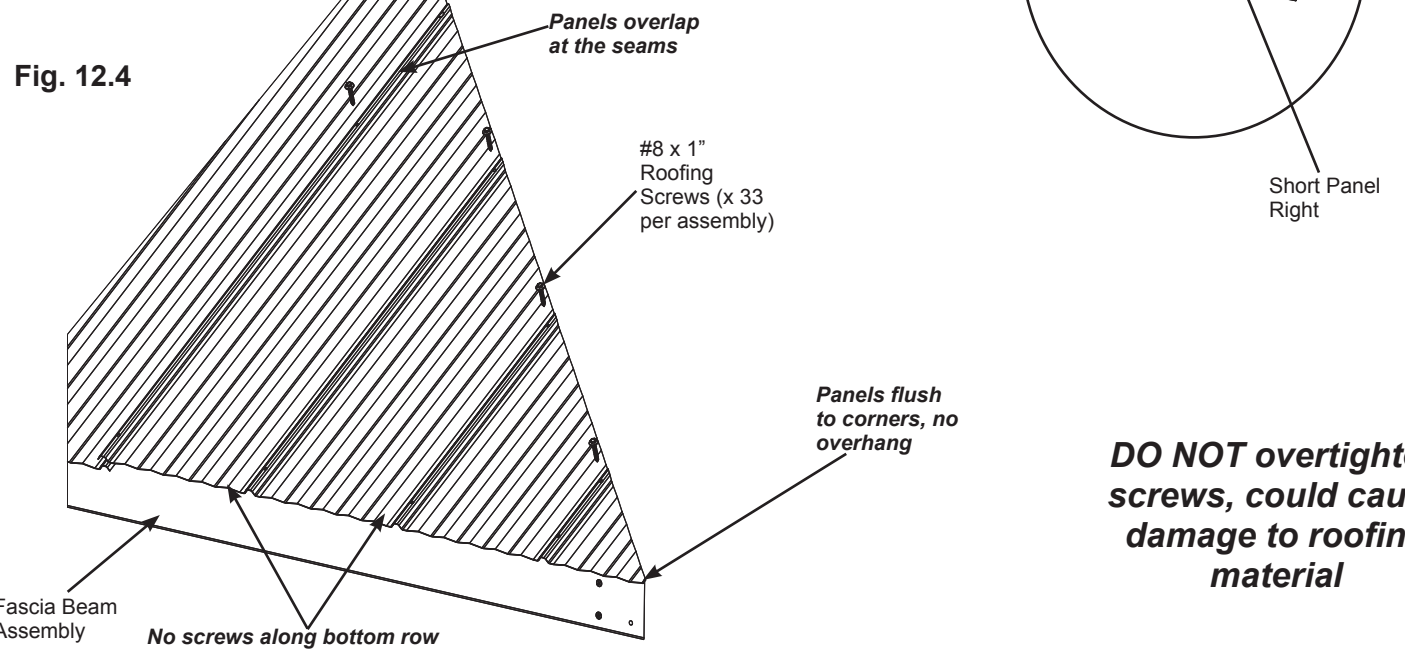
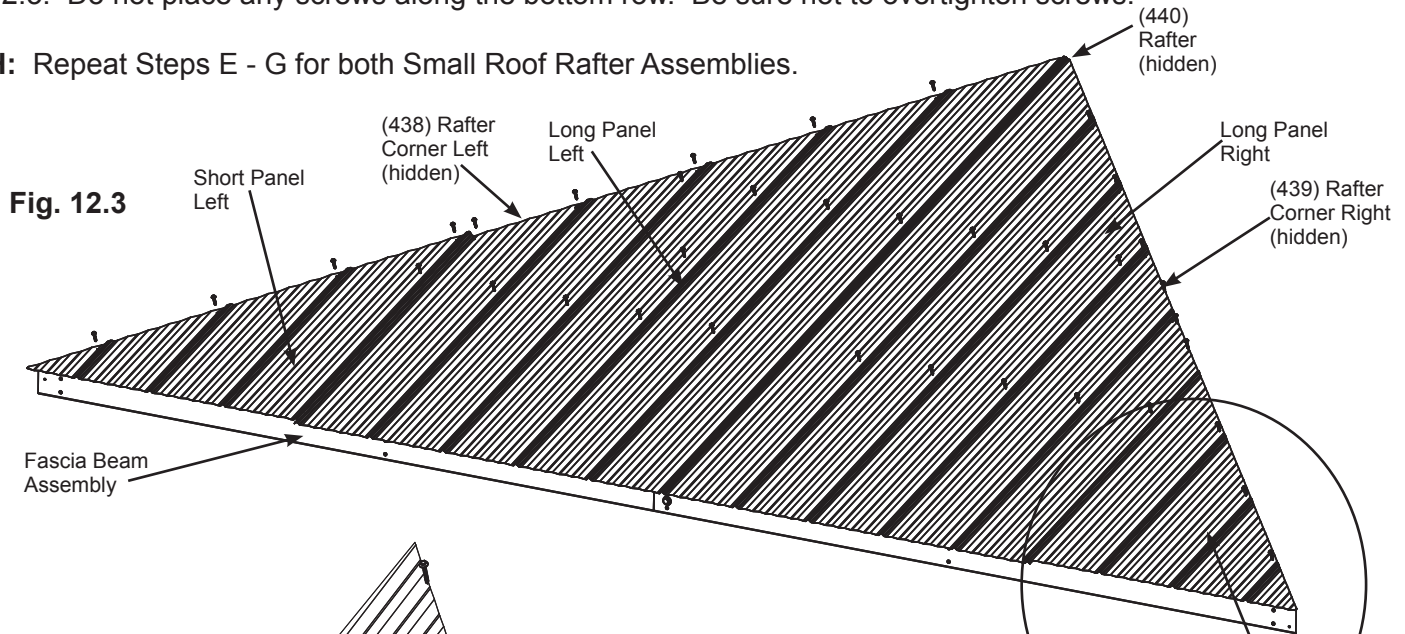
Step 12: Attach Roof Panels - Small Roof Part 2

E: Place one Short Panel Left on Small Roof Rafter Assembly so it overlaps the Long Panel Left and it is flush to the sides of (438) Rafter Corner Left and a slight overhang at the bottom of the Fascia Beam Assembly. There should be no overhanging at the corners. (fig. 12.3 and 12.4)

F: Place one Short Panel Right on Small Roof Rafter Assembly so it overlaps the Long Panel Right and it is flush to the side of (439) Rafter Corner Right and a slight overhang at the bottom of the Fascia Beam Assembly. There should be no overhanging at the corners. (fig. 12.3 and 12.4)

G: Attach all panels to Small Roof Rafter Assembly with 33 #8 x 1" Roofing Screws in locations shown in fig. 12.3. Do not place any screws along the bottom row. Be sure not to overtighten screws.

H: Repeat Steps E - G for both Small Roof Rafter Assemblies.



DO NOT overtighten screws, could cause damage to roofing material

Roof Parts

- 2 x Short Panel Left
- 2 x Short Panel Right

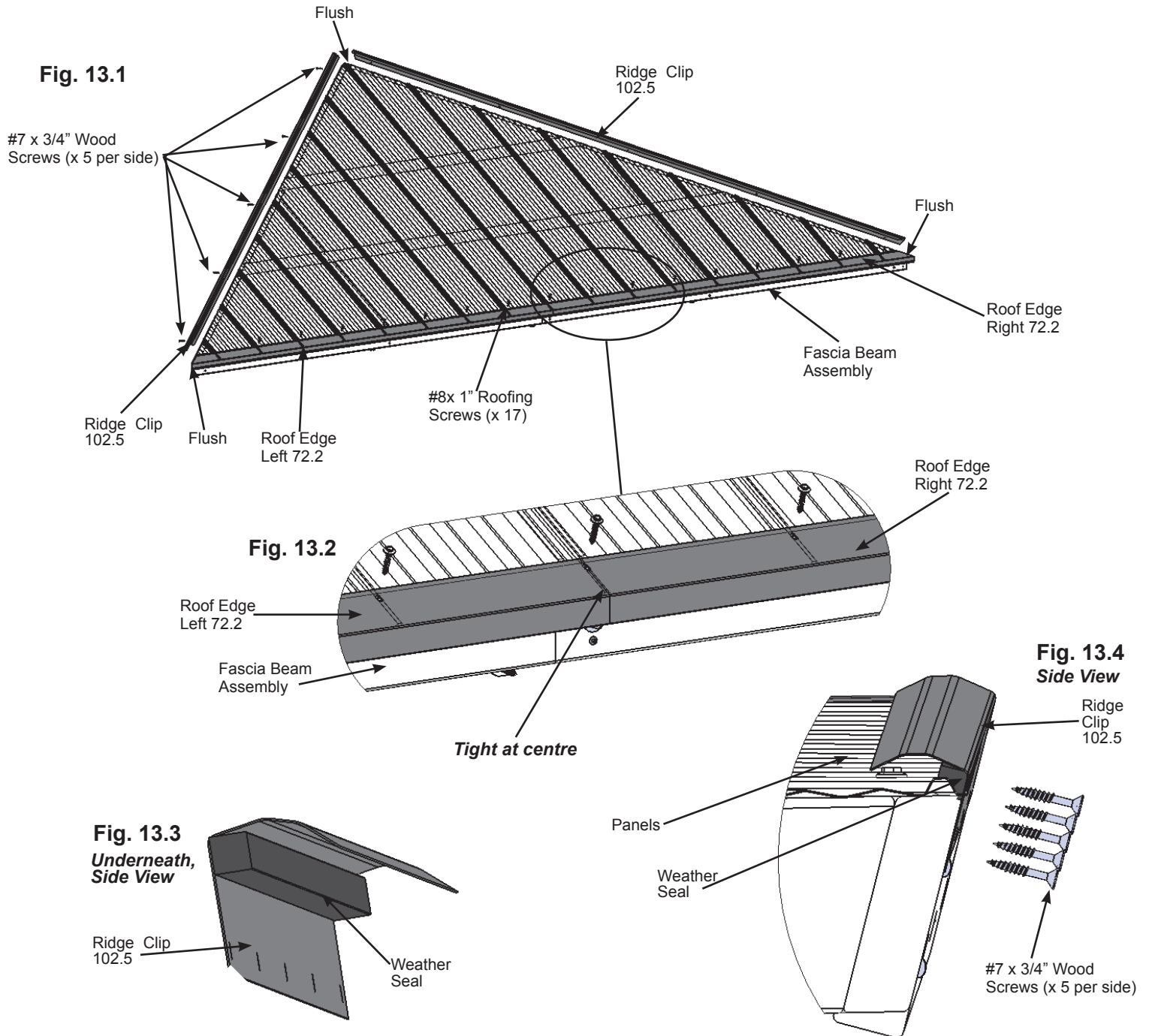
Hardware

- 66 x #8 x 1" Roofing Screw

Step 13: Attach Ridge Clips and Roof Edges - Small Roof

A: Place one Roof Edge Left 72.2 and one Roof Edge Right 72.2 on the bottom of each Small Roof Rafter Assembly so the ends are flush with the outside ends of the Fascia Beam Assembly and meet tight in the centre. Attach both Roof Edges with 17 #8 x 1" Roofing Screws per Small Roof Rafter assembly. (fig. 13.1 and 13.2)

B: Place one Weather Seal on the inside of each Ridge Clip 102.5 then place one Ridge Clip 102.5 on each side of each Small Roof Rafter Assembly so they cover the panels and attach with five #7 x 3/4" Wood Screws per Ridge Clip 102.5. (fig. 13.1, 13.3 and 13.4)



Components:

- 2 x Roof Edge Left 72.2
- 2 x Roof Edge Right 72.2
- 4 x Ridge Clip 102.5
- 4 x Weather Seal

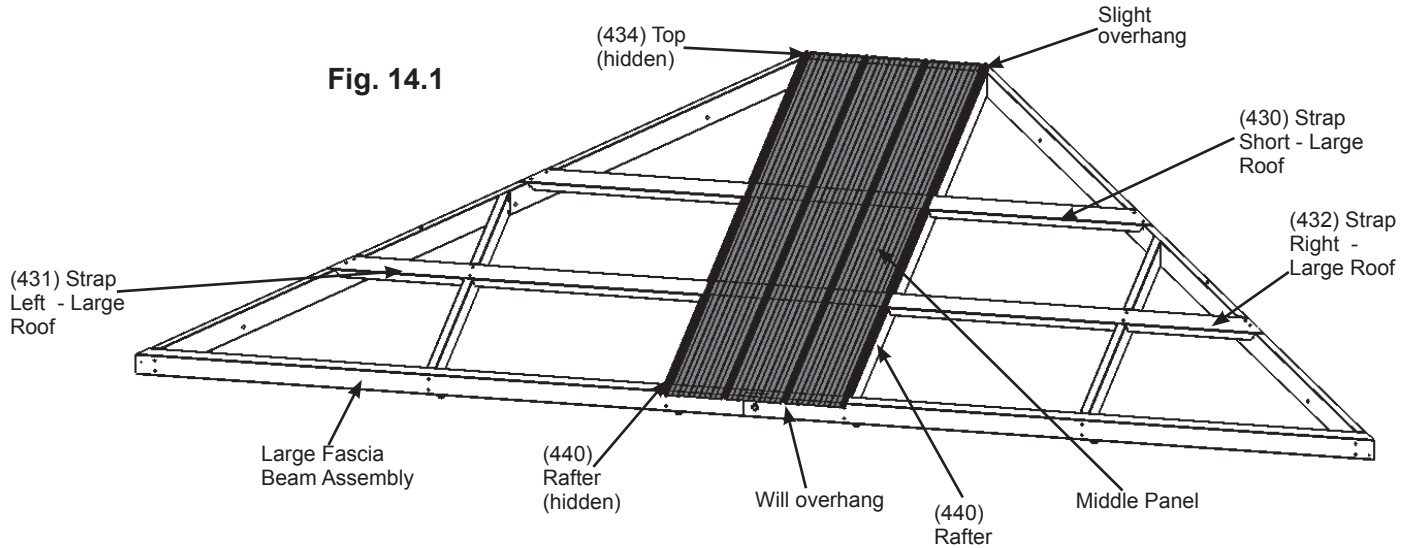
Hardware

- 34 x #8 x 1" Roofing Screw
- 20 x #7 x 3/4" Wood Screw

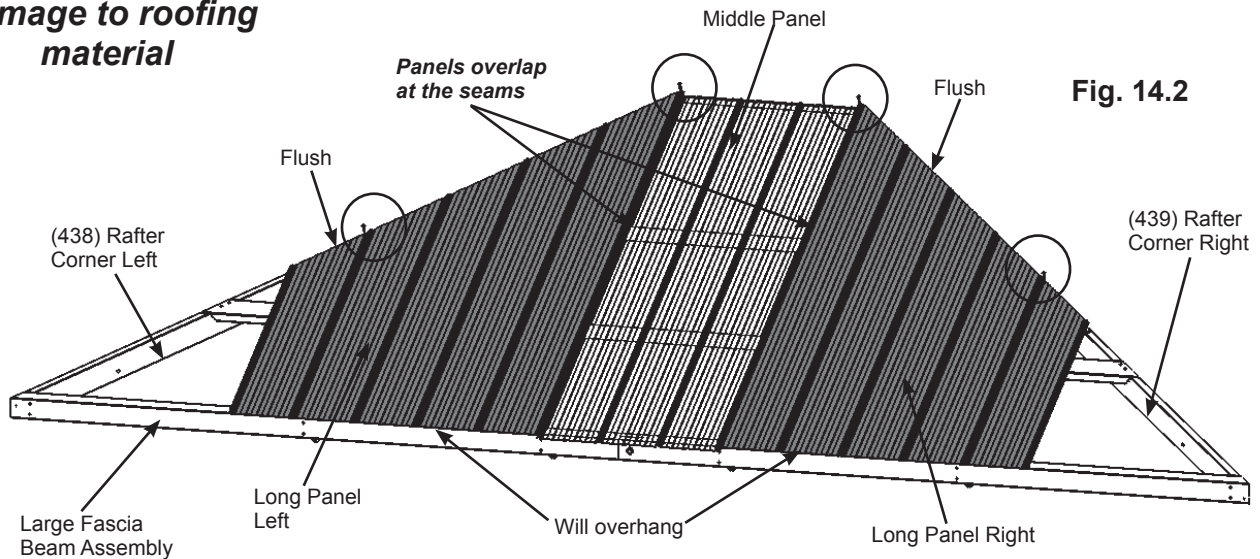
Step 14: Attach Roof Panels - Large Roof Part 1

A: Place one Middle Panel on the front of one Large Roof Rafter Assembly so it slightly overhangs the top of (434) Top and an overhang at the bottom of the Large Fascia Beam Assembly. Holes should line up with (440) Rafter and (430), (431) and (432) Straps (fig. 14.1)

B: Place one Long Panel Left and one Long Panel Right on each side of Middle Panel so they overlap the Middle Panel and are flush to the sides of (438) Rafter Corner Left and (439) Rafter Corner Right and an overhang at the bottom of the Large Fascia Beam Assembly. Attach with two #8 x 1" Roofing Screws per panel in the places shown below. Be sure not to overtighten screws. (fig. 14.2)



DO NOT overtighten screws, could cause damage to roofing material



Roof Parts

- 2 x Middle Panel
- 2 x Long Panel Left
- 2 x Long Panel Right

Hardware

- 8 x #8 x 1" Roofing Screw

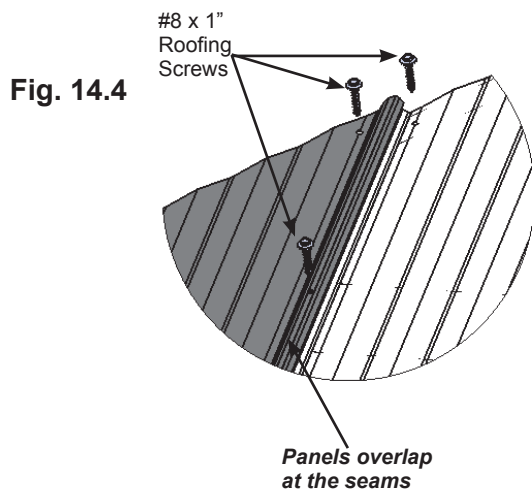
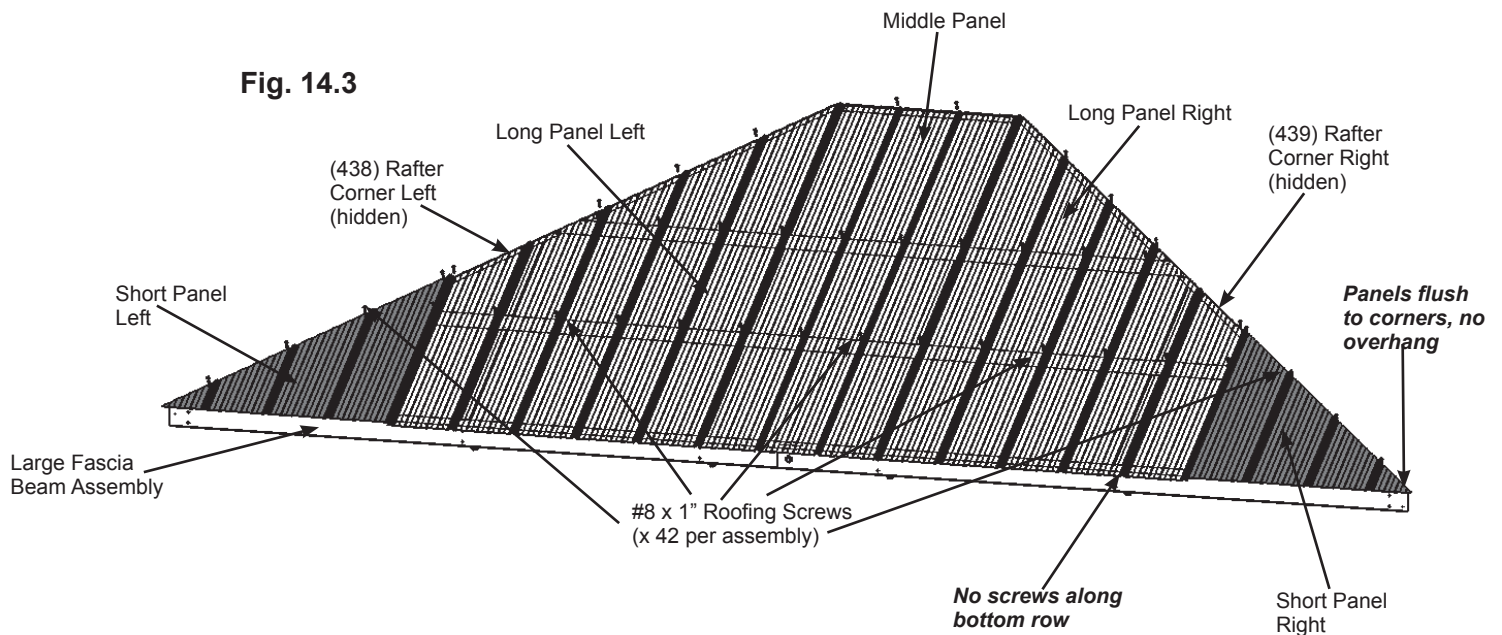
Step 14: Attach Roof Panels - Large Roof Part 2

C: Place one Short Panel Left so it overlaps the Long Panel Left and it is flush to the sides of (438) Rafter Corner Left and one Short Panel Right so it overlaps the Long Panel Right and it is flush to the side of (439) Rafter Corner Right. There will be a slight overhang at the bottom of the Large Fascia Beam Assembly. There should be no overhang at the corners. (fig. 14.3 and 14.4)

D: Make sure all panels fit properly then attach with 42 #8 x 1" Roofing Screws. Be sure not to overtighten screws (fig. 14.3 and 14.4)

Notice there are no screws along the bottom row.

E: Repeat Steps A - D for both Large Roof Rafter Assemblies.



DO NOT overtighten screws, could cause damage to roofing material

Roof Parts

2 x Short Panel Left
2 x Short Panel Right

Hardware

84 x #8 x 1" Roofing Screw

Step 14: Attach Roof Panels - Large Roof Part 3

F: On one Large Roof Rafter Assembly place one (463) Spacer Top flush to the outside edges and centred on (434) Top then attach with three #8 x 2-1/4" Wood Screws. (fig. 14.5 and 14.6)

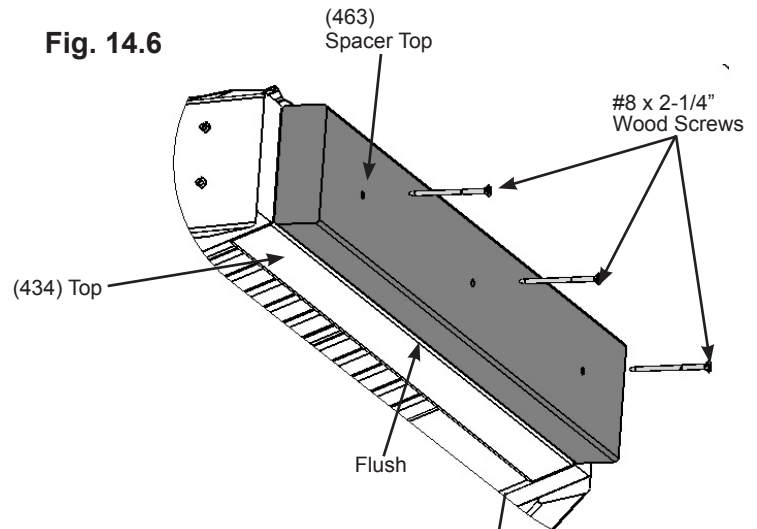
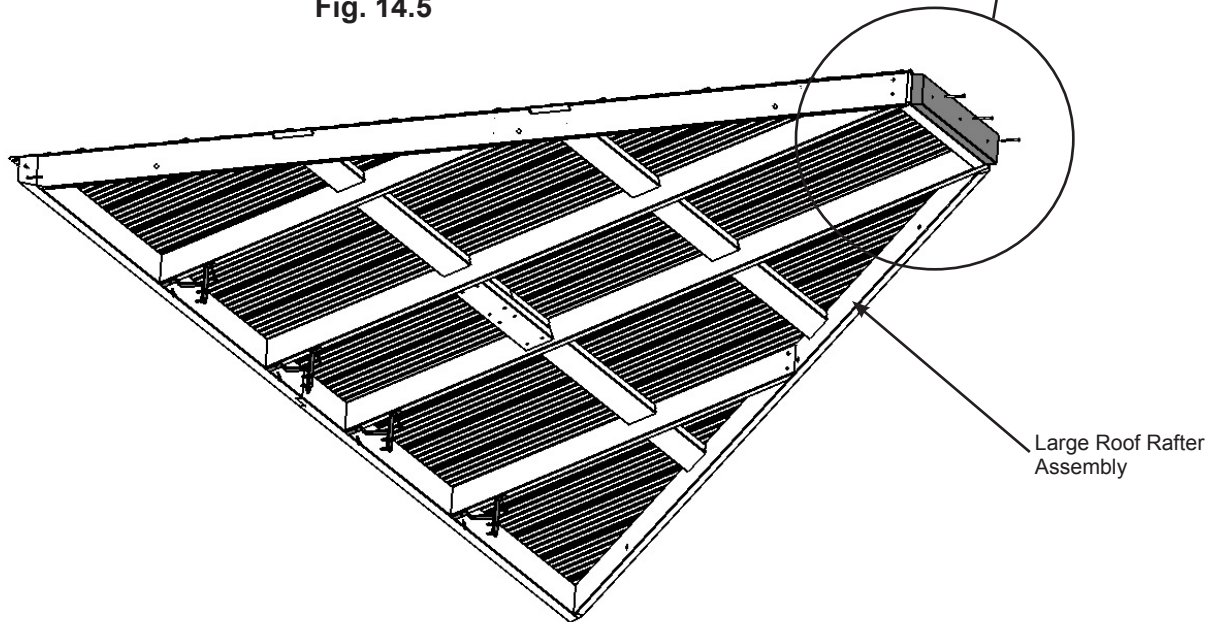


Fig. 14.5



Wood Parts

1 x (463) Spacer Top

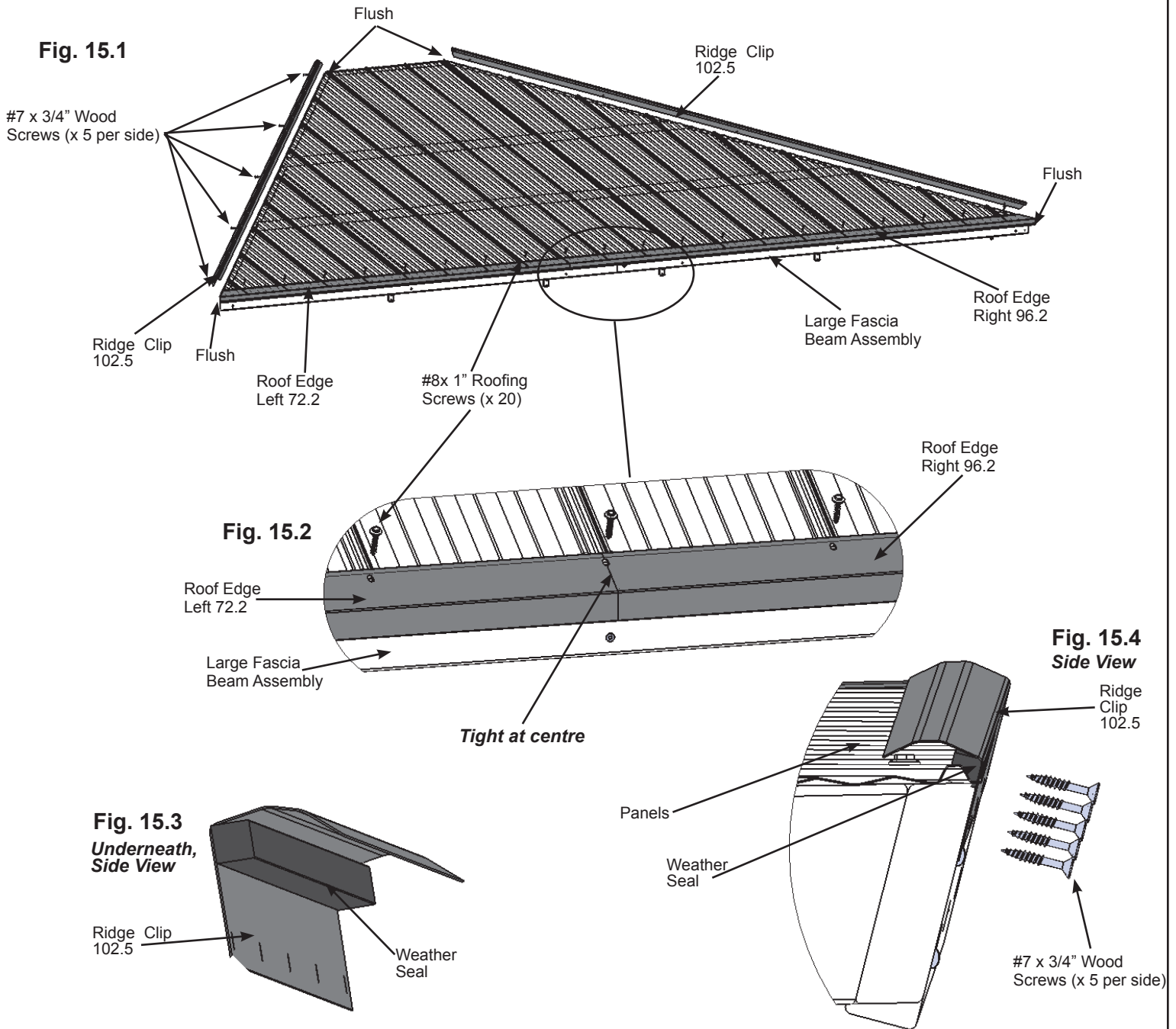
Hardware

3 x #8 x 2-1/4" Wood Screws

Step 15: Attach Ridge Clips and Roof Edges - Large Roof

A: Place one Roof Edge Left 72.2 and one Roof Edge Right 96.2 on the bottom of each Large Roof Rafter Assembly so the ends are flush with the outside ends of the Large Fascia Beam Assembly and meet tight in the centre. Attach both Roof Edges with 20 #8 x 1" Roofing Screws per Large Roof Rafter assembly. (fig. 15.1 and 15.2)

B: Place one Weather Seal on the inside of each Ridge Clip 102.5 then place one Ridge Clip 102.5 on each side of each Large Roof Rafter Assembly so they cover the panels and attach with five #7 x 3/4" Wood Screws per Ridge Clip 102.5. (fig. 15.1, 15.3 and 15.4)



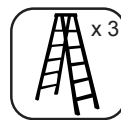
Components:

- 2 x Roof Edge Left 72.2
- 2 x Roof Edge Right 96.2
- 4 x Ridge Clip 102.5
- 4 x Weather Seal

Hardware

- 40 x #8 x 1" Roofing Screw
- 20 x #7 x 3/4" Wood Screw

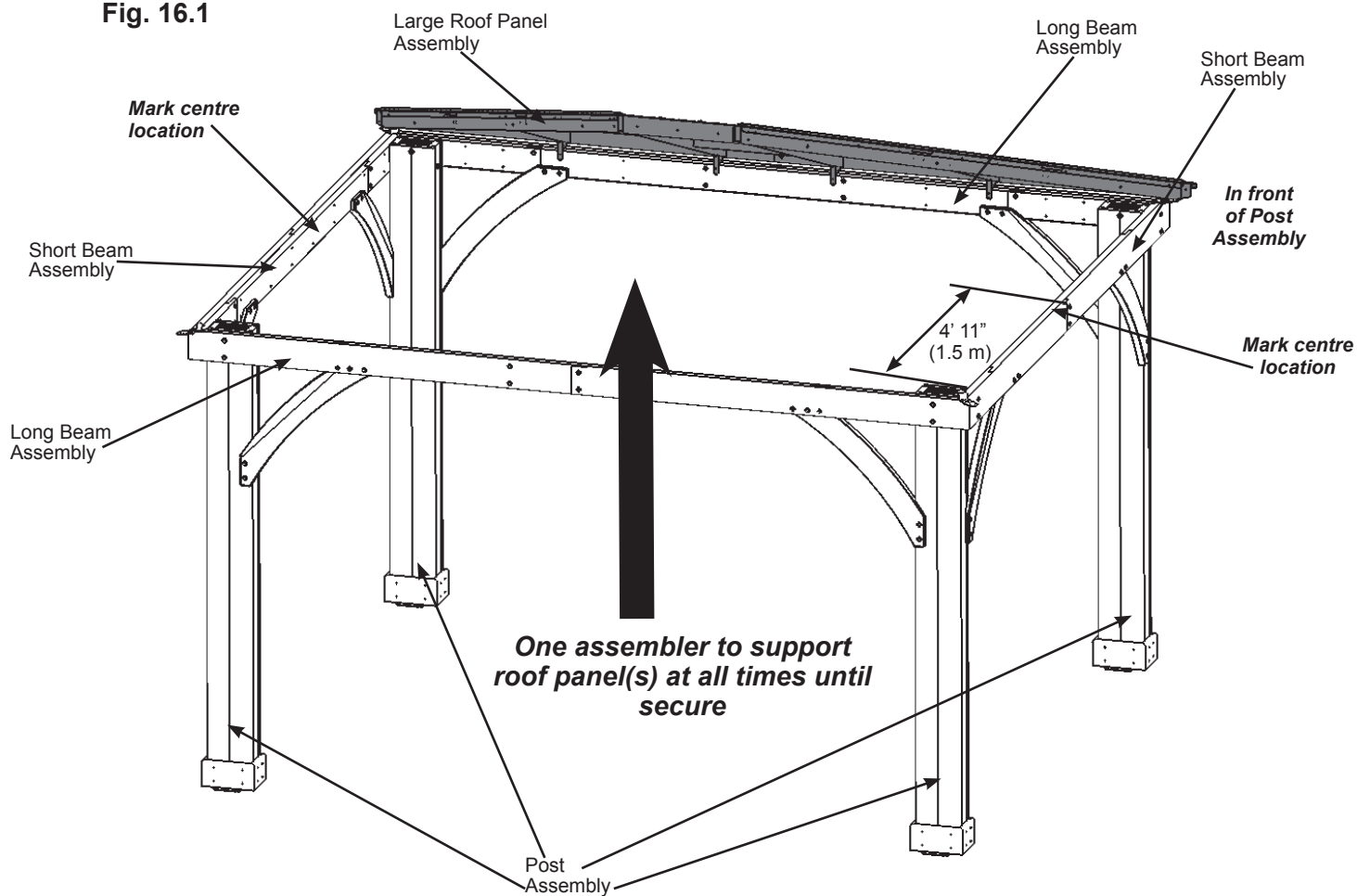
Step 16: Attach Roof Panels to Frame Part 1



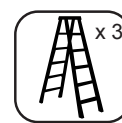
A: From inside the Post Assemblies measure 4' 11" (1.5 m) to mark the centre of each Short Beam Assembly. (fig. 16.1)

B: With all four assemblers place one Large Roof Panel Assembly with Roof to Beam Brackets just in front of the Post Assemblies then raise it up so it is centred on the Long Beam Assembly. (fig. 16.1)

Fig. 16.1

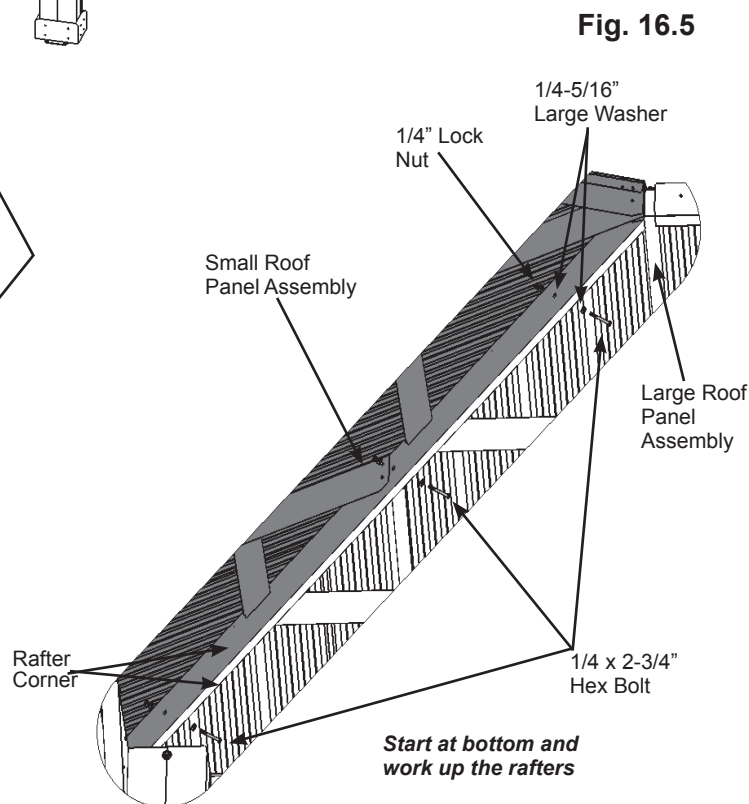
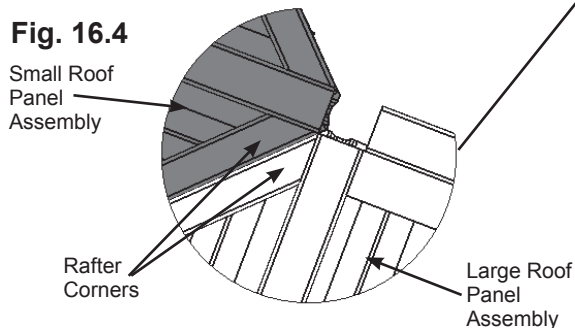
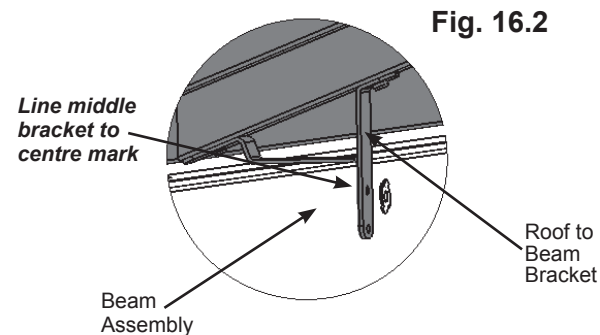
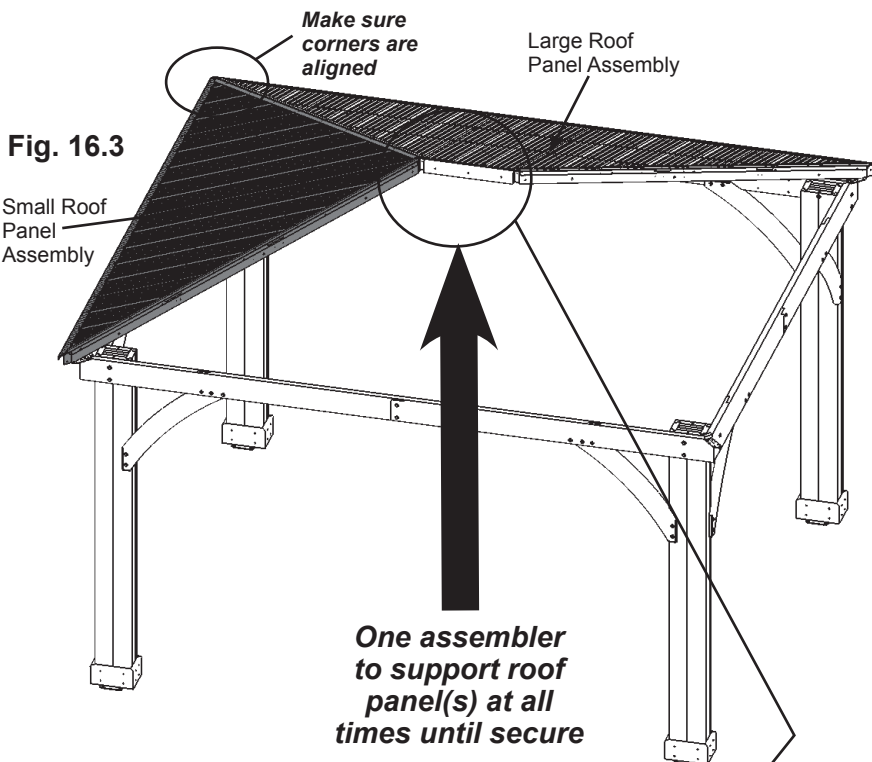


Step 16: Attach Roof Panels to Frame Part 2



C: Lift a Small Roof Panel Assembly with Roof to Beam Brackets over Short Beam Assembly taking care not to drag the panel on the beams. Make sure the middle Roof to Beam Bracket lines up to the centre mark and the Rafter Corners are flush with each other. **One person must remain on the centre ladder to hold both panels in place until three panels are up and secure.** (fig. 16.2, 16.3 and 16.4)

D: Starting at the bottom and working up connect Large Roof Panel Assembly to Small Roof Panel Assembly through the Rafter Corners with three 1/4 x 2-3/4" Hex Bolts (with two 1/4-5/16" large washers and one 1/4" lock nut). To align bolt holes helper in the centre may have to push up the centre of the panels and others make sure corners are aligned. Make sure all bolts are tight. (fig. 16.2 and 16.5)



Hardware

3 x 1/4 x 2-3/4" Hex Bolt
(1/4-5/16" large washer x 2, 1/4" lock nut)

Step 16: Attach Roof Panels to Frame Part 3



E: Lift second Large Roof Panel Assembly with Roof to Beam Brackets over Large Beam Assembly taking care not to drag the panel on the beams then set in place beside the Small Roof Panel Assembly. (fig. 16.6)

F: Starting at the bottom and working up connect Large Roof Panel Assembly to Small Roof Panel Assembly through the Rafter Corners with three 1/4 x 2-3/4" Hex Bolts (with two 1/4-5/16" large washers and one 1/4" lock nut). To align bolt holes helper on the centre ladder may have to push up in the centre of the panels and others make sure corners are aligned. Make sure all bolts are tight. (fig. 16.7)

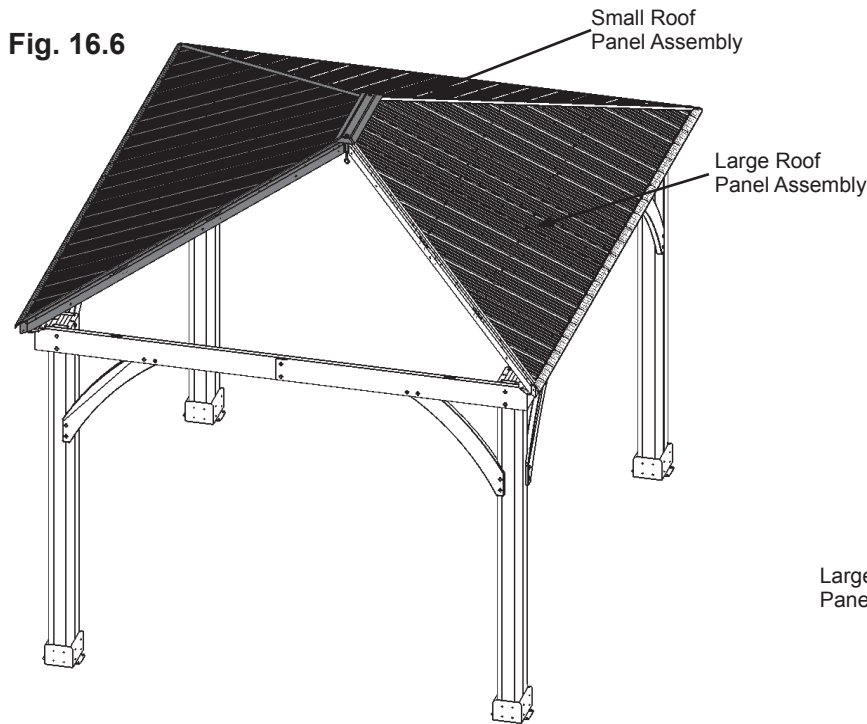
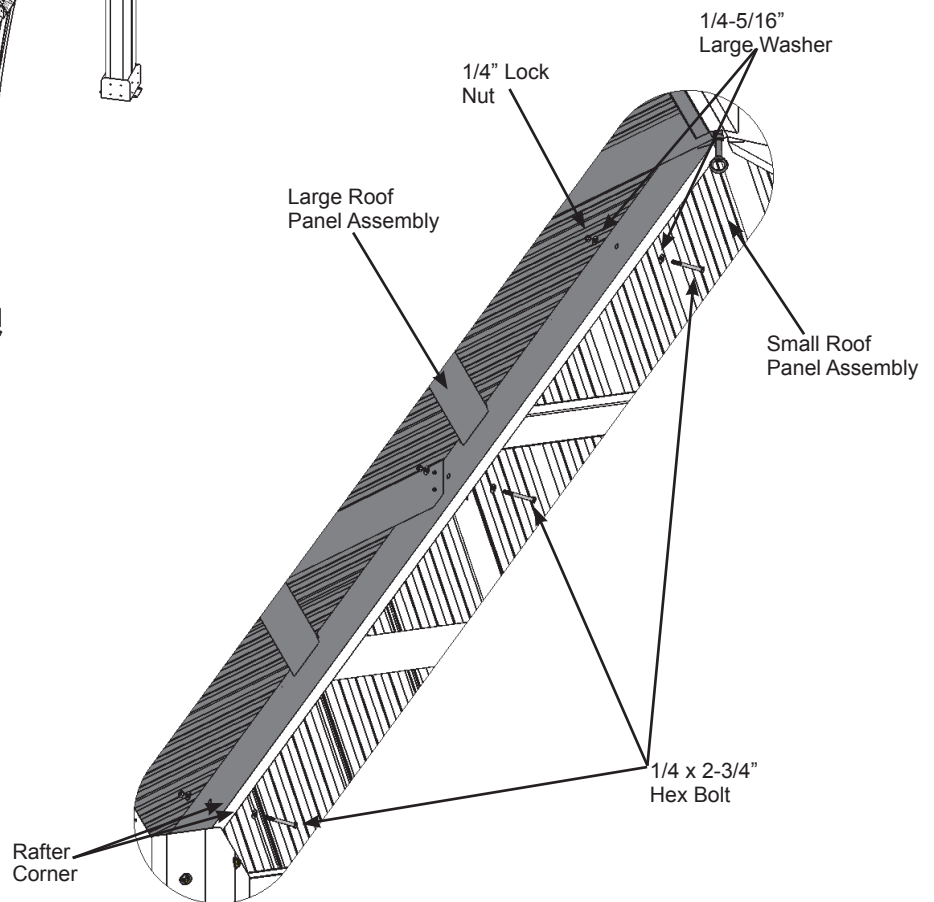


Fig. 16.7



Hardware

3 x 1/4 x 2-3/4" Hex Bolt
(1/4-5/16" large washer x 2, 1/4" lock nut)

Step 17: Roof Peak Assembly

A: Insert two Carriage Bolts with Contoured Washers through the top of Peak Cap Long, into Peak Post then Spring Clip. The Spring Clip holds the assembly together. (fig. 17.1 and 17.2)

B: Insert one 1/4" Nut into each Peak Loop. Be careful nut is loose and will fall out until attached to Peak Cap Assembly. (fig. 17.3)

Fig. 17.1

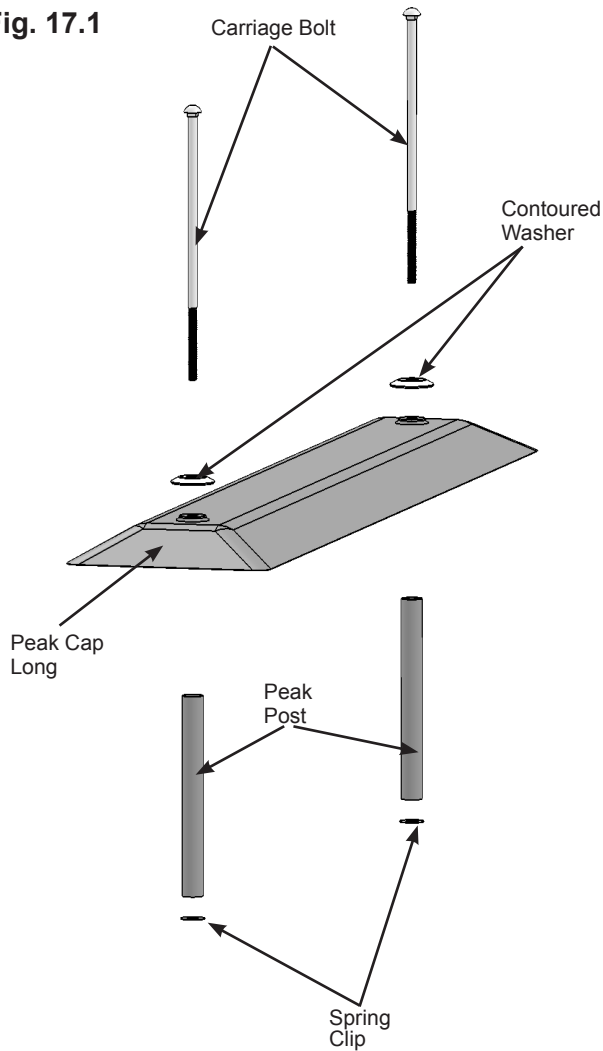


Fig. 17.2

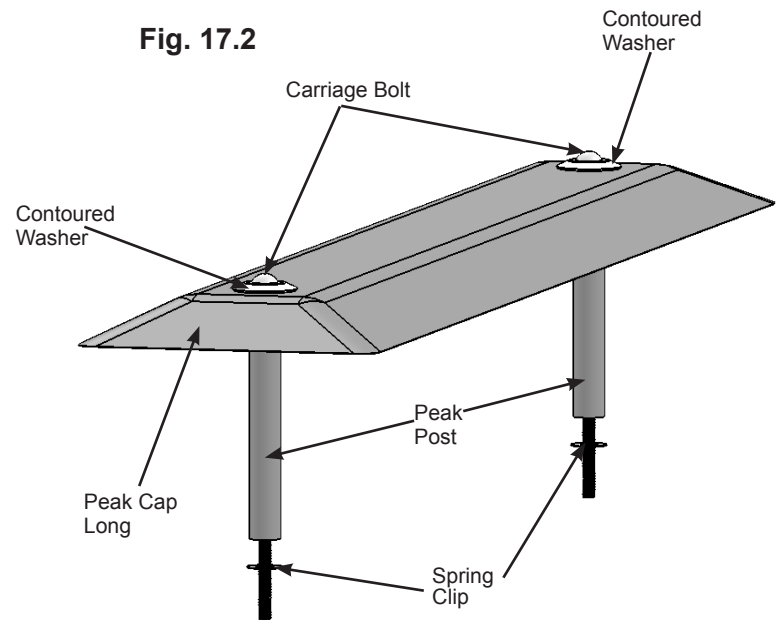
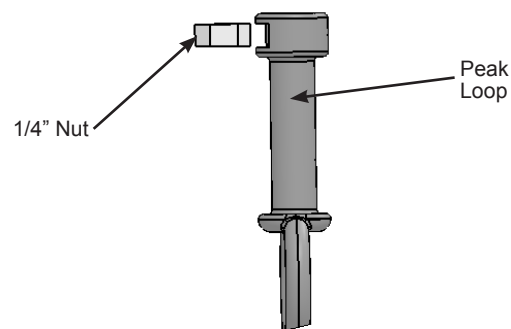


Fig. 17.3



Componets:

1 x Roof Peak Set	1 x Peak Cap Long
2 x Carriage Bolt	2 x Peak Post
2 x Contoured Washer	
2 x Peak Loop	
2 x Spring Clip	
2 x 1/4" Nut	

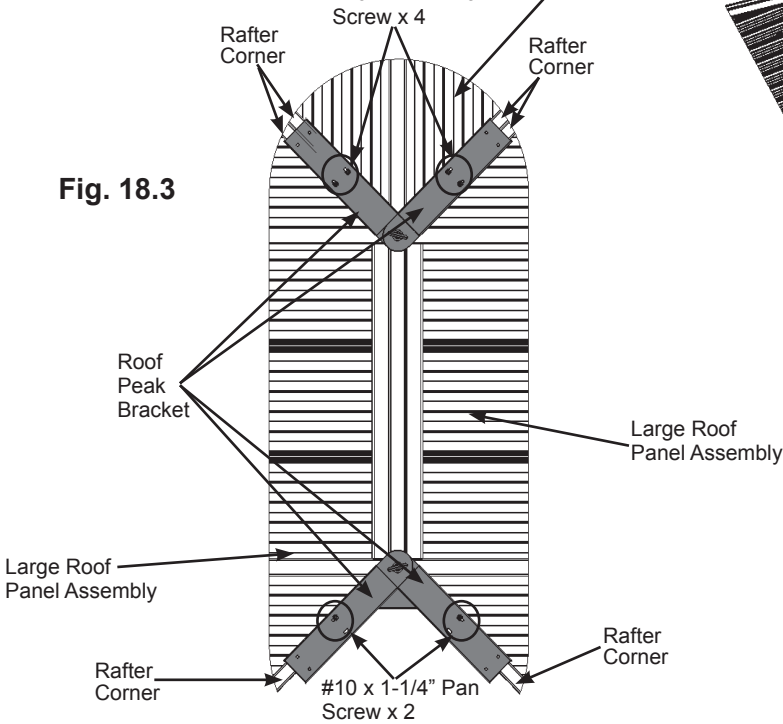
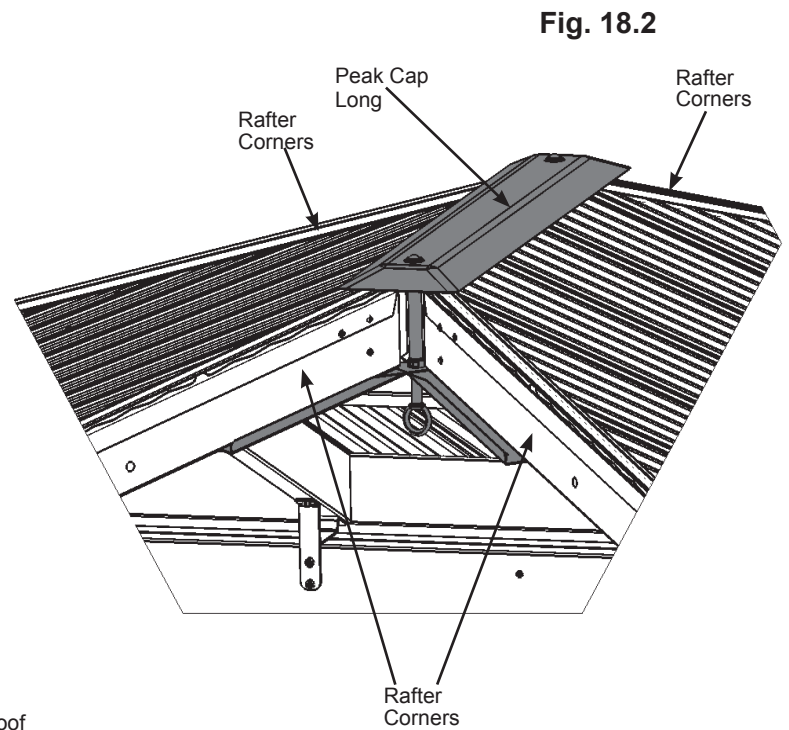
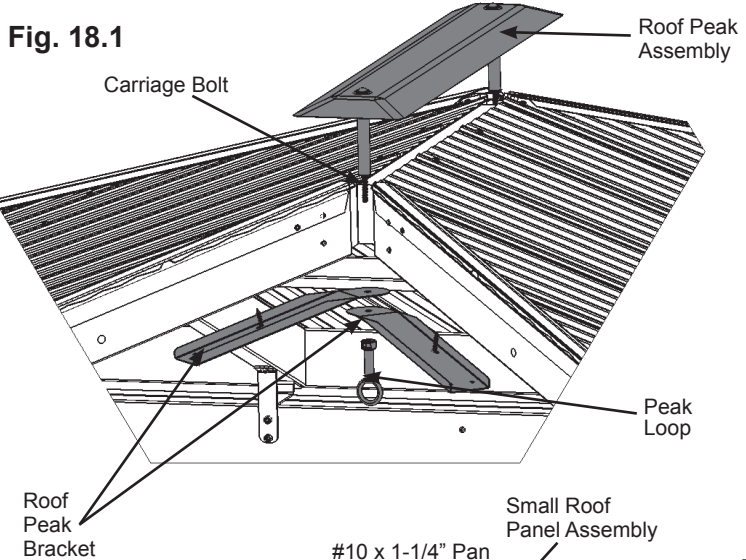
Step 18: Attach Roof Peak to Roof Panels



A: Insert Roof Peak Assembly in gap between Large and Small Roof Panels. Peak Cap Long to be lined up with Rafter Corners. (fig. 18.1 and 18.2)

B: Insert two Roof Peak Brackets through each Carriage Bolt and attach Peak Loop to Carriage Bolts then twist to tighten loosely.

C: Loosely attach one set of Roof Peak Brackets to the Rafter Corners of the connected Large and Small Roof Panels in the slotted holes with four #10 x 1-1/4" Pan Screws. On the second set of Roof Peak Brackets loosely attach to the Rafter Corners of Large Roof Panels with two #10 x 1-1/4" Pan Screws. (fig. 18.3)



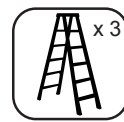
Components:

4 x Roof Peak Brackets

Hardware

6 x #10 x 1-1/4" Pan Screw

Step 19: Attach Final Roof Panel Part 1



A: Lift last Small Roof Panel Assembly (without Roof to Beam Brackets) over Short Beam Assembly taking care not to drag the panel on the beams. Panel fits under the Peak Cap Long, push up on Peak Loop to lift Peak Cap Long. The centre of the other panels may have to be pushed up to fit fourth panel. (fig. 19.1 and 19.2)

Fig. 19.1

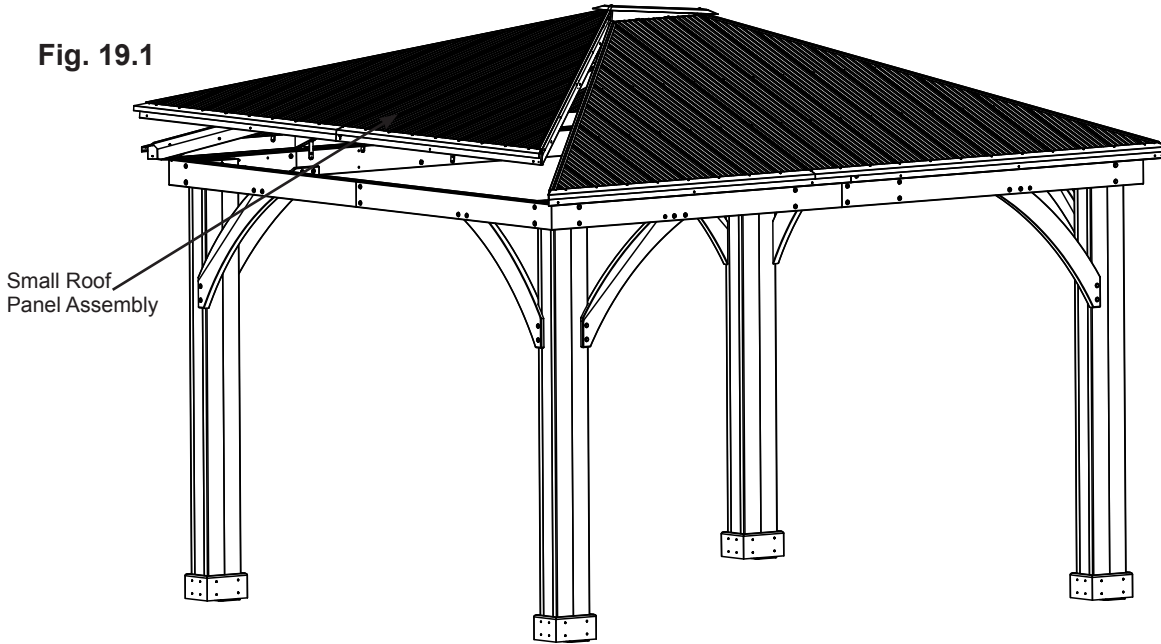
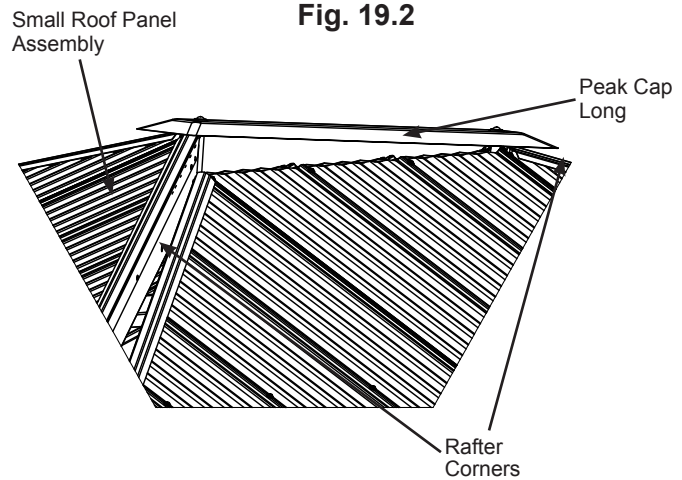


Fig. 19.2



Step 19: Attach Final Roof Panel Part 2



Remember to push up centre to assist with alignment.

B: Starting at the bottom and working up loosely connect Roof Panel Assemblies through the Rafter Corners with three 1/4 x 2-3/4" Hex Bolts (with two 1/4-5/16" large washers and one 1/4" lock nut) per side. To align bolt holes helper on the centre ladder may have to push up in the centre of the panels and others make sure corners are aligned. Tighten bolts when all six have been installed. (fig. 19.4 and 19.5)

Rafter Corners should be aligned with Roof to Post Bracket.

Fig. 19.4

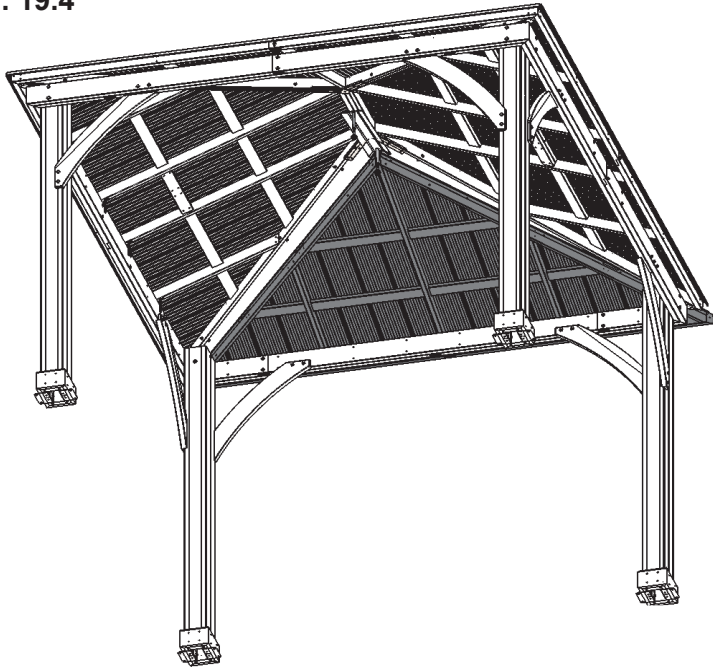
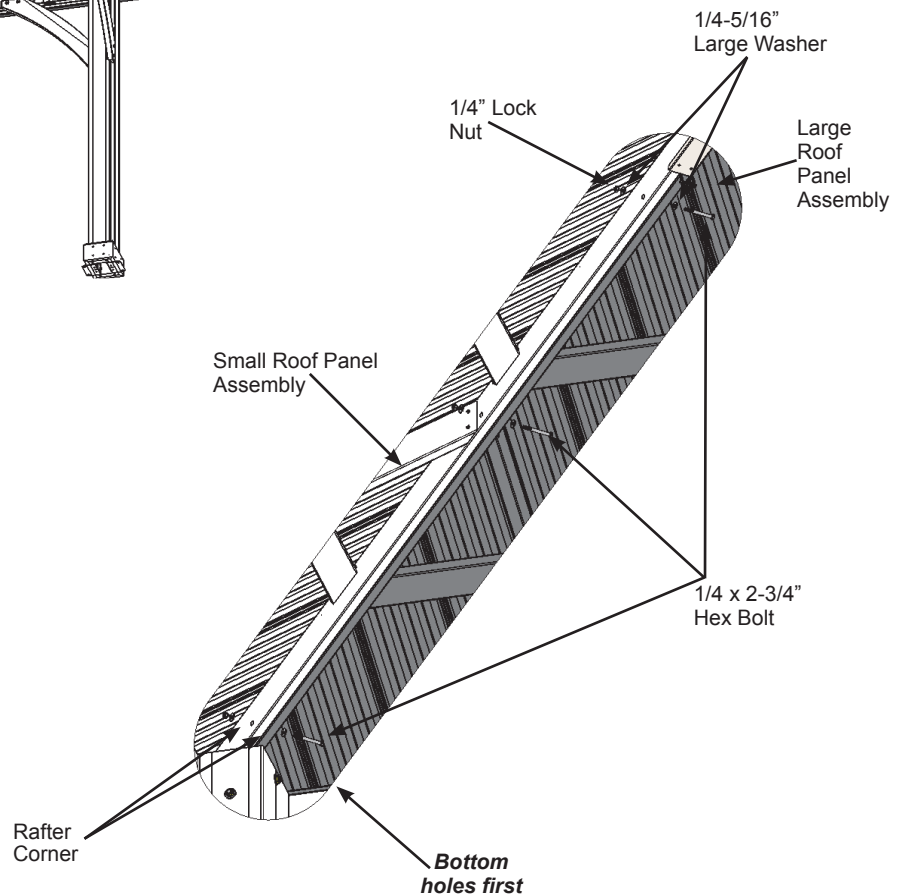


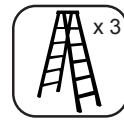
Fig. 19.5



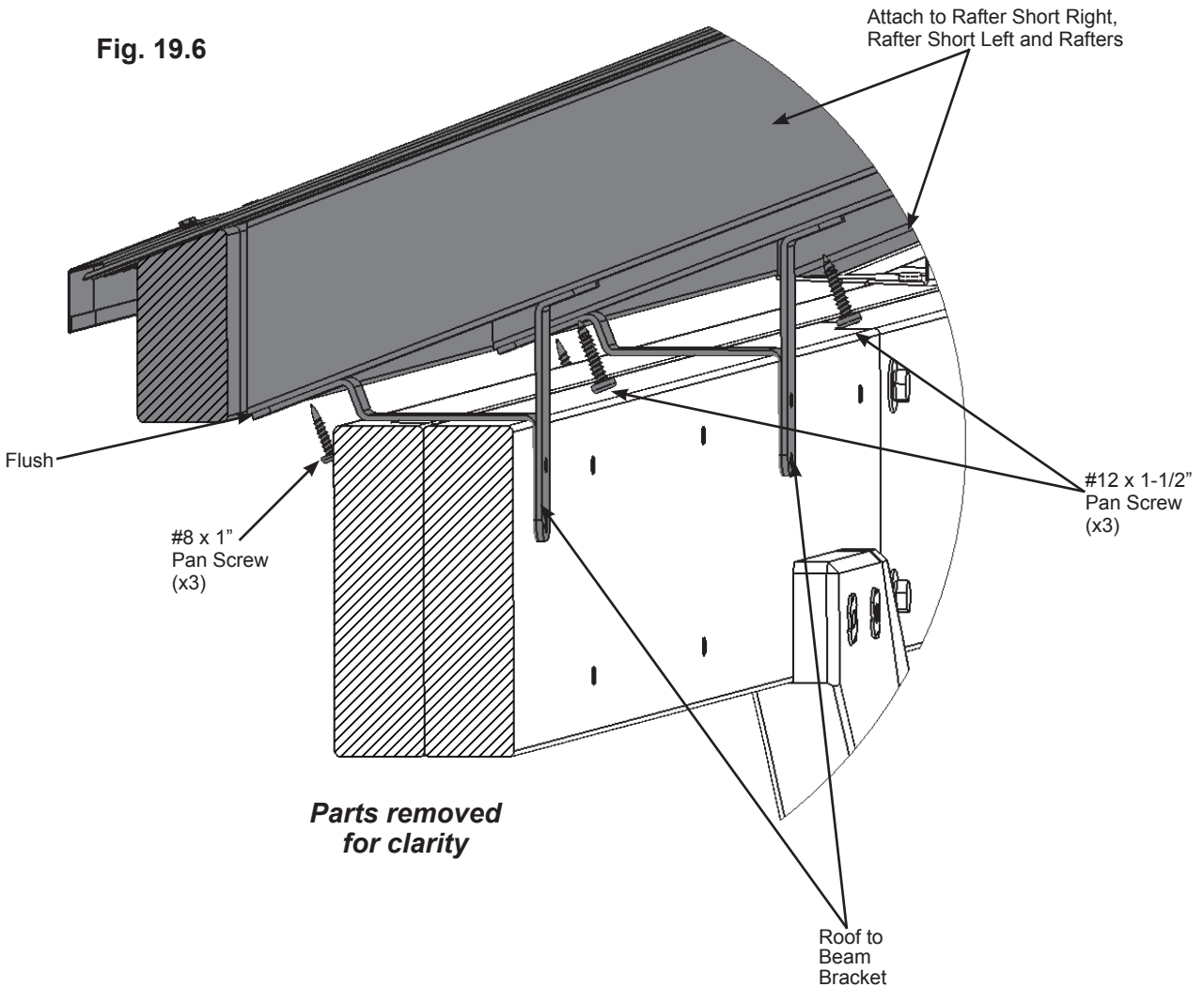
Hardware

6 x 1/4 x 2-3/4" Hex Bolt
(1/4-5/16" large washer x 2, 1/4" lock nut)

Step 19: Attach Final Roof Panel Part 3



C: On the Small Roof Rafter Assembly just installed, centred and flush to the bottom of (442) Rafter Short Right, (441) Rafter Short Left and (440) Rafter attach one Roof to Beam Bracket per board with one #8 x 1" Pan Screw in the bottom hole and one #12 x 1-1/2" Pan Screw in the top hole per bracket. (fig. 19.6)



Componets:

3 x Roof to Beam Bracket

Hardware

3 x #8 x 1" Pan Screw

3 x #12 x 1-1/2" Pan Screw

Step 20: Secure Roof Corners



A: Make sure middle Roof to Beam Brackets are flush and tight to the Beam Assemblies. Lift in centre if needed.

B: From outside the assembly attach Roof Panel Assemblies together at the Fascia Beam Assembly Ends with two #8 x 2-1/2" Wood Screws per corner. A helper may need to lift the centre of the roof to bring the corners tight together. (fig. 20.1 and 20.2)

C: Align Roof Panel Assemblies to sit centred on Roof to Post Brackets then attach with two #8 x 1" Pan Screws per bracket. (fig. 20.2)

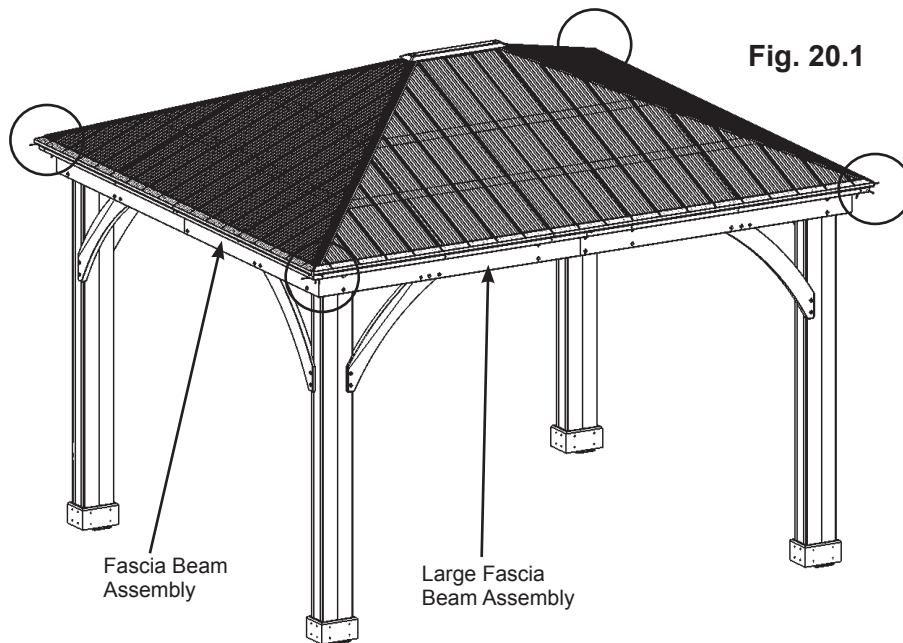


Fig. 20.1

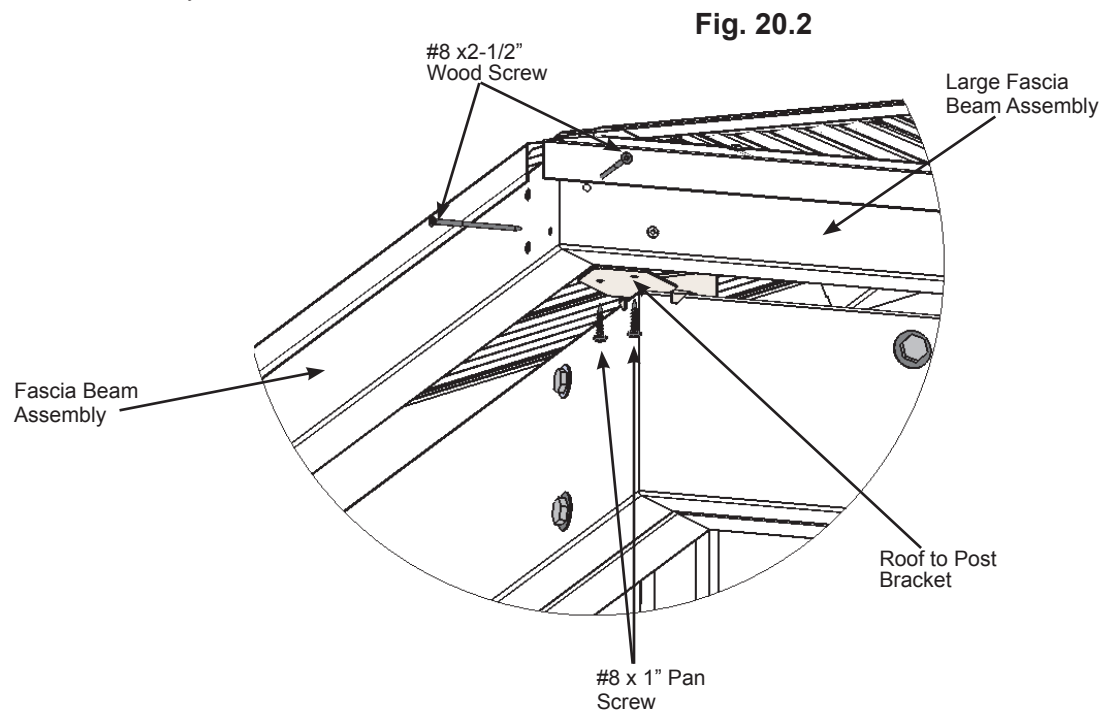


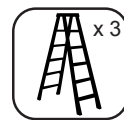
Fig. 20.2

Hardware

8 x #8 x 2-1/2" Wood Screw

8 x #8 x 1" Pan Screw

Step 21: Attach Corner and Beam Caps



A: At each corner place one Corner Cap tight to Fascia Assemblies, push up so the bottom is tight to the bottom of the assemblies then attach with four #8 x 3/4" Sheet Metal Screws per Corner Cap. (fig. 21.1 and 21.2)

Fig. 21.1

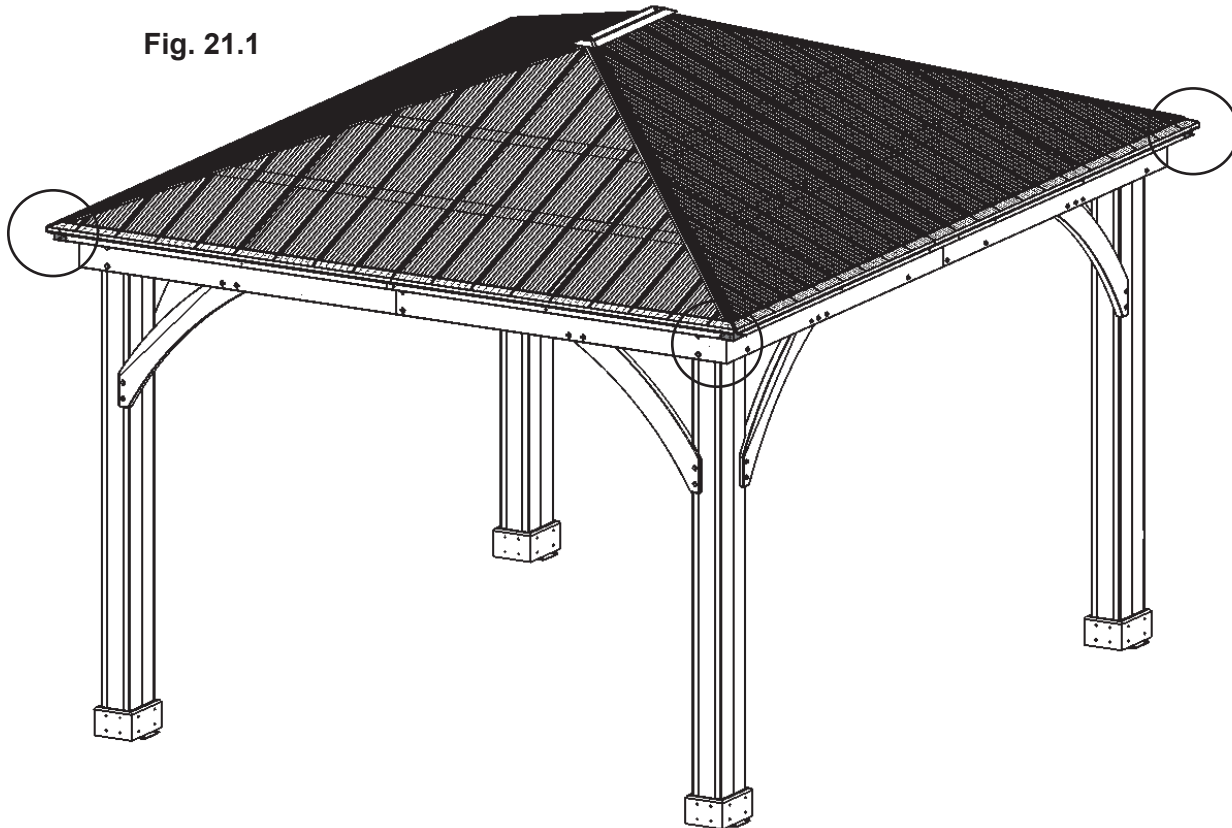
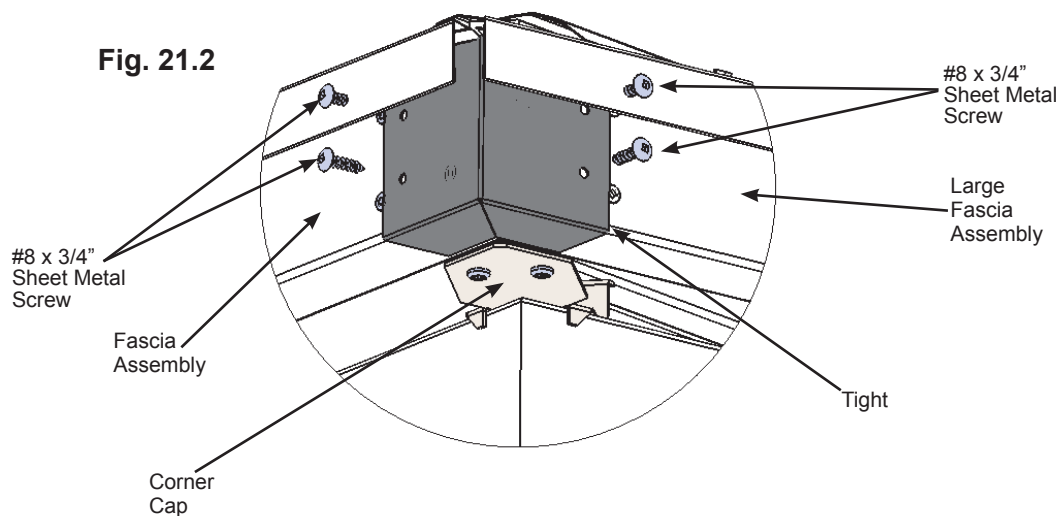


Fig. 21.2



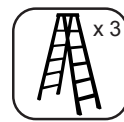
Componets:

4 x Corner Cap

Hardware

16 x #8 x 3/4" Sheet Metal Screw

Step 22: Secure Roof to Beam Brackets



A: From inside the assembly attach Roof to Beam Brackets to Beam Assemblies with two #12 x 1-1/2" Pan Screw per bracket. (fig. 22.1 and 22.2)

Fig. 22.1
Inside View

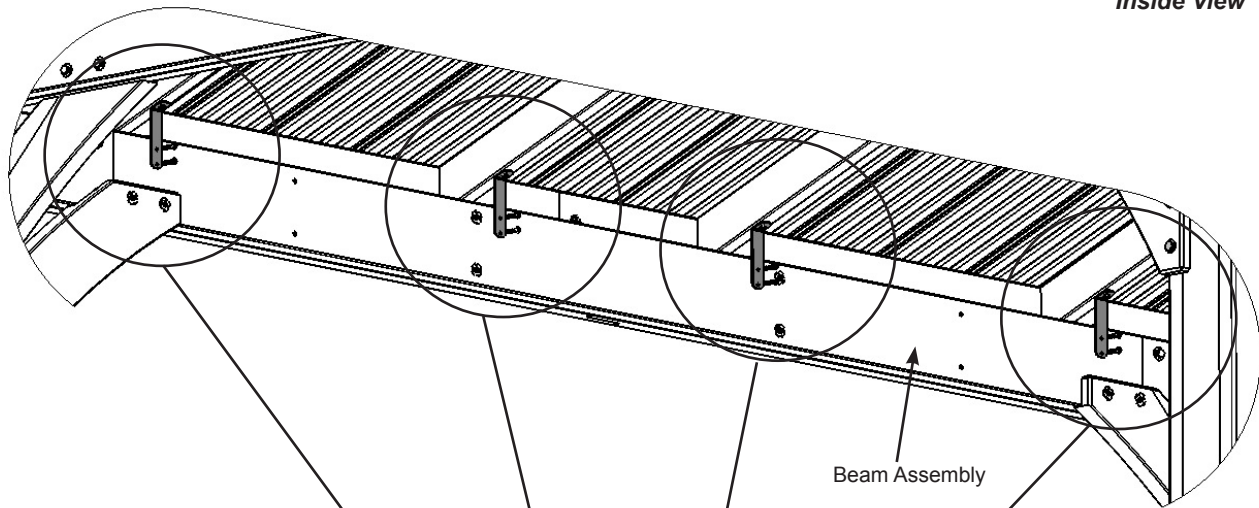
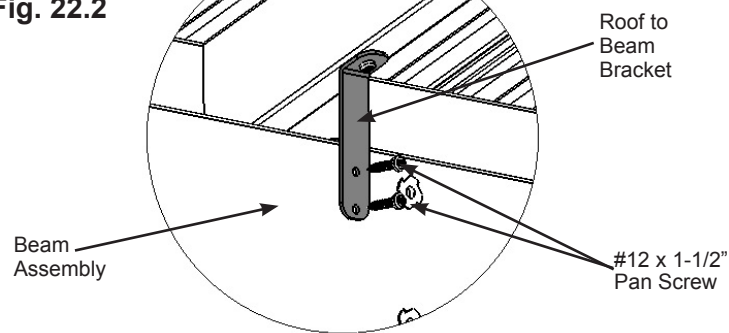


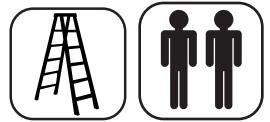
Fig. 22.2



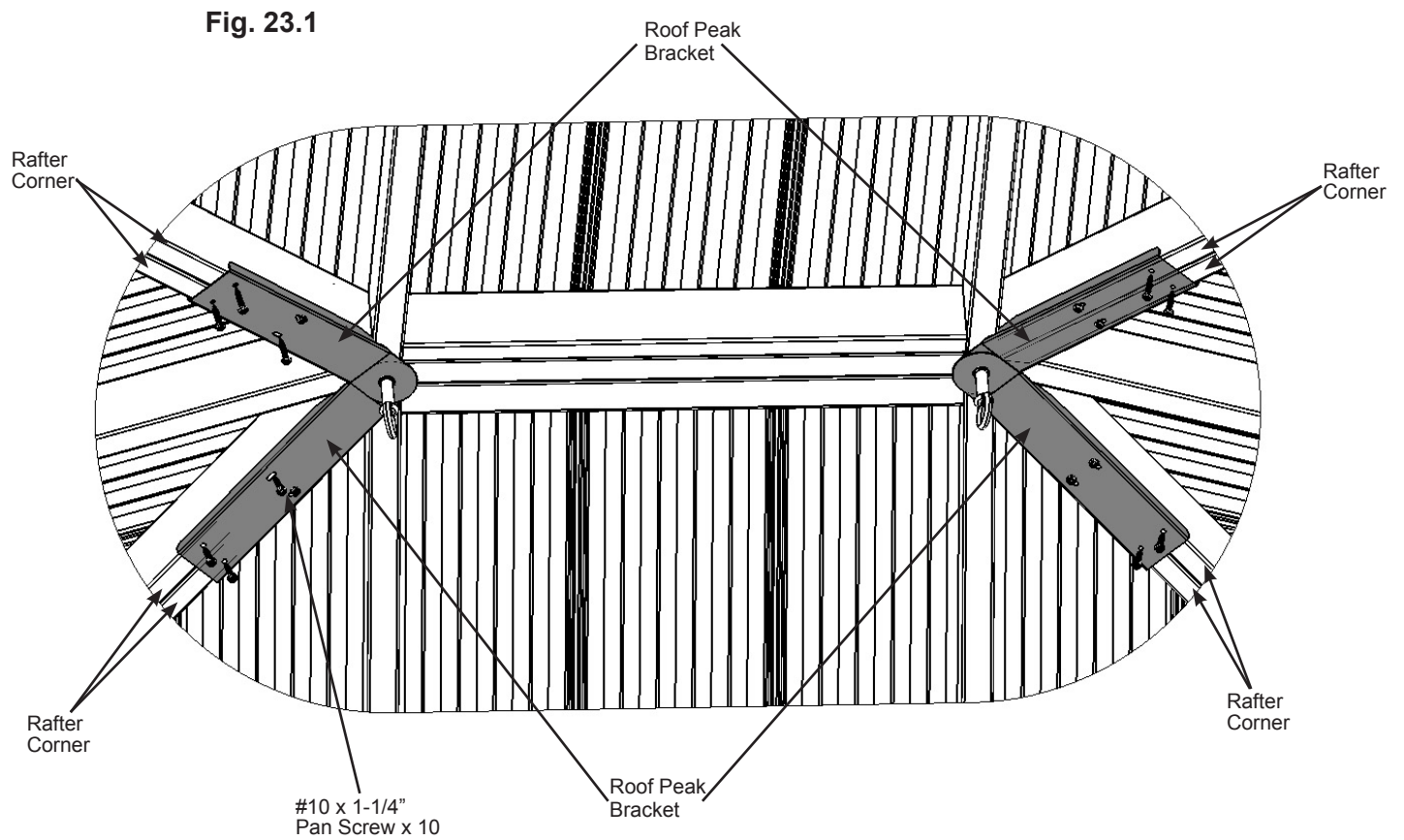
Hardware

28 x #12 x 1-1/2" Pan Screw

Step 23: Secure Roof Peak Brackets



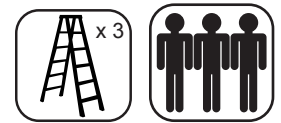
A: Tighten the six screws in Roof Peak Brackets then attach to Corner Rafters in the remaining holes with ten #10 x 1-1/4" Pan Screws. (fig. 23.1)



Hardware

10 x #10 x 1-1/4" Pan Screw

Step 24: Attach Ridge Caps to Roof Panels



A: Slide one Ridge Cap Long 81.5 over the Ridge Clips, with cut end leading, on each corner of the assembly from the bottom up. Slide Ridge Cap Short 25.2 over the Ridge Clips leading with the insert end to push the Ridge Cap Long 81.5 to the top, lifting Peak Cap Long by pushing up the Peak Loop so Ridge Cap Long 81.5s fit under Peak Cap Long. Attach with two #8 x 3/4" Sheet Metal Screws per Ridge Cap set. (fig. 24.1, 24.2, 24.3, 24.4 and 24.5)

B: Tighten Loop to secure Roof Peak Set.

Fig. 24.1

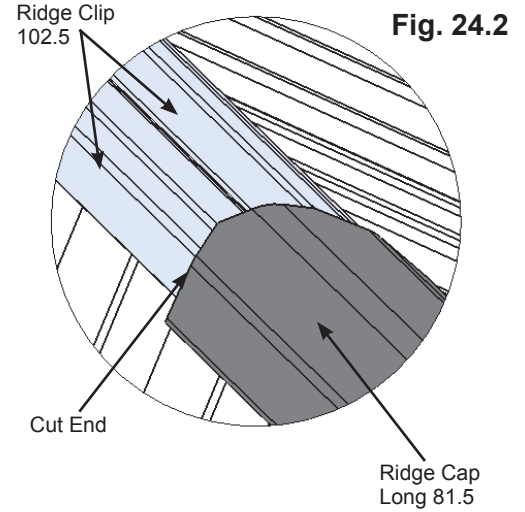
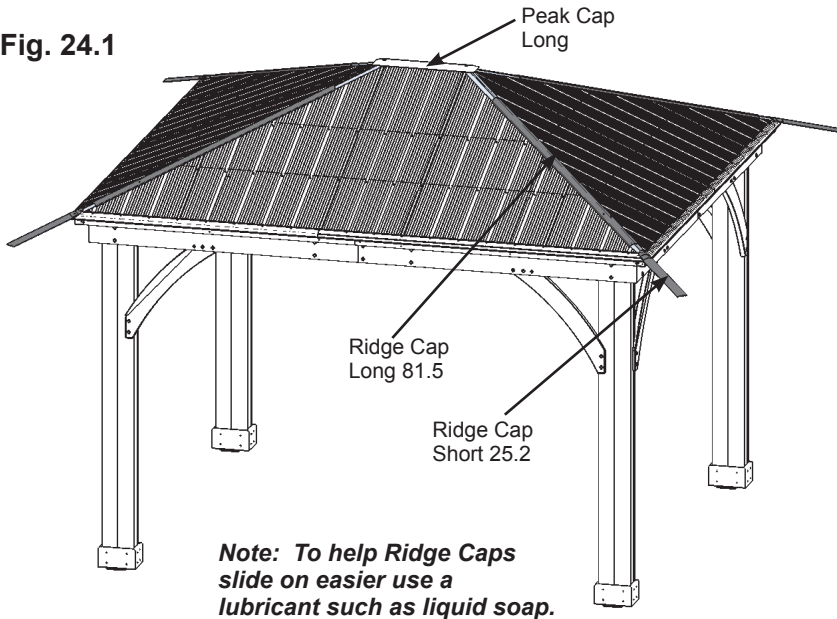


Fig. 24.5

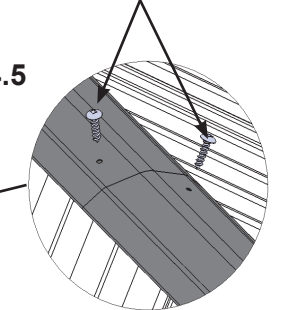


Fig. 24.4

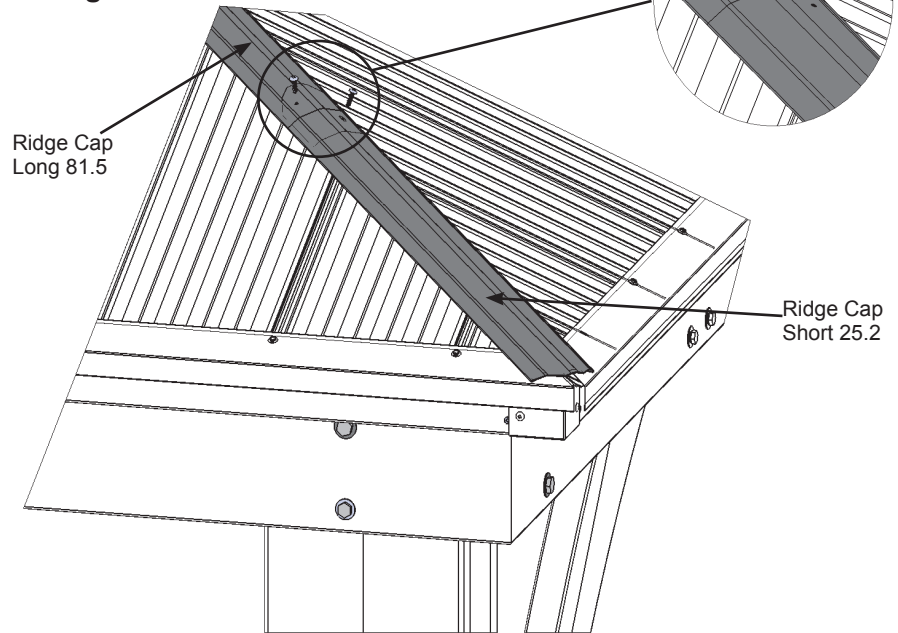
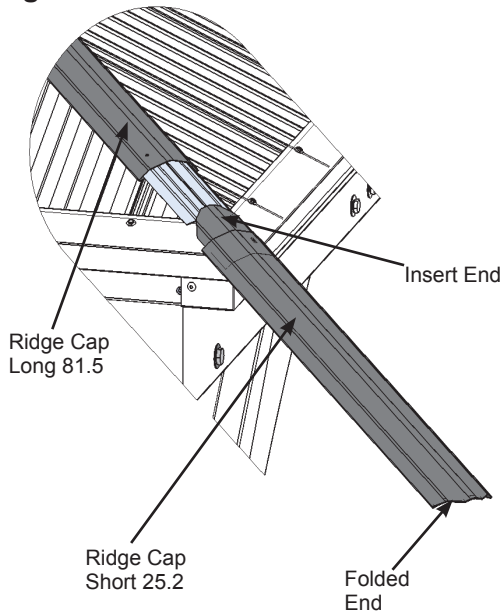


Fig. 24.3



Components:

- 4 x Ridge Cap Long 81.5
- 4 x Ridge Cap Short 25.2

Hardware

- 8 x #8 x 3/4" Sheet Metal Screw

Step 25: Attach Tie Wrap Brackets and Ties

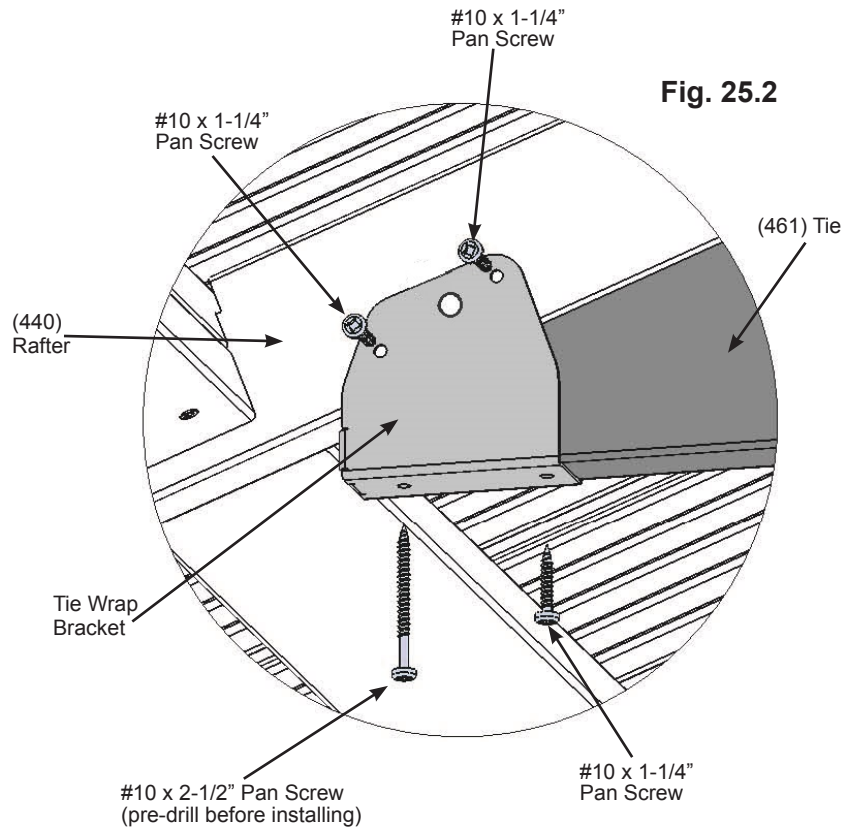
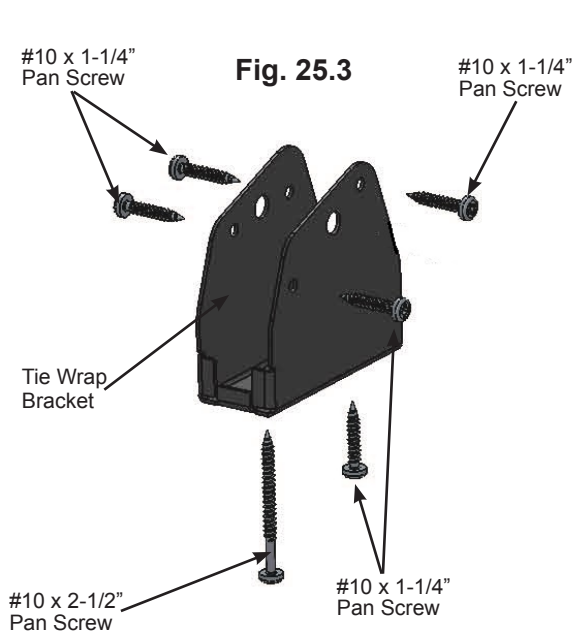
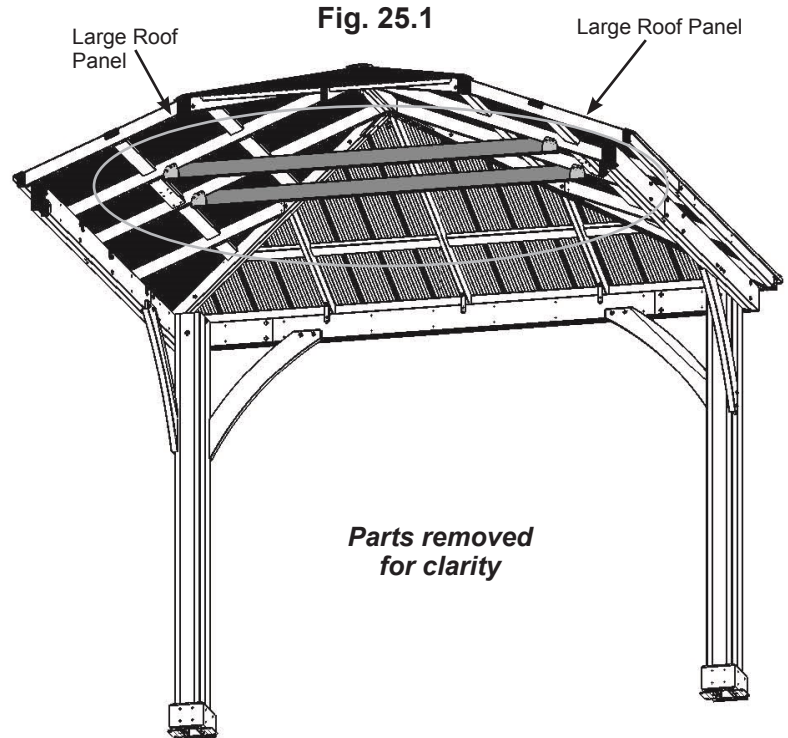


A: Attach one Tie Wrap Bracket to each end of one (461) Tie with one #10 x 1-1/4" Pan Screw per bracket using the inside holes. (461) Tie is tight to end of bracket. (fig. 25.1, 25.2 and 25.3)

B: With a helper place (461) Tie with brackets against a (440) Rafter on each Large Roof Panel so (461) Tie is tight to (440) Rafters and level. Attach Tie Wrap Bracket to (440) Rafters with two #10 x 1-1/4" Pan Screws on both sides of each bracket (fig. 25.1, 25.2 and 25.3)

C: Pre-drill with a 1/8" drill bit and secure Tie Wrap Brackets to (461) Tie and (440) Rafter with one #10 x 2-1/2" Pan Screw per bracket. (fig. 25.1, 25.2 and 25.3)

D: Repeat Steps A to C for a second (461) Tie.



Wood Parts

2 x (461) Tie

Hardware

20 x #10 x 1-1/4" Pan Screw
4 x #10 x 2-1/2" Pan Screw

Componets:

4 x Tie Wrap Bracket

Step 26: Metal Hooks and Plaque Part 1



A: Two 50 mm Hooks are included with this unit for attaching wiring. They can be placed anywhere along the Rafter Corners as needed. Pre-drill with a 1/8" drill bit before installing. (fig. 26.1 and 26.2)

B: One Eye Lag is included with this unit for hanging items with a maximum weight of 22 lbs (10 kg). Pre-drill with a 1/8" drill bit into centre of (463) Spacer Top then install Eye Lag. (fig. 26.1 and 26.3)

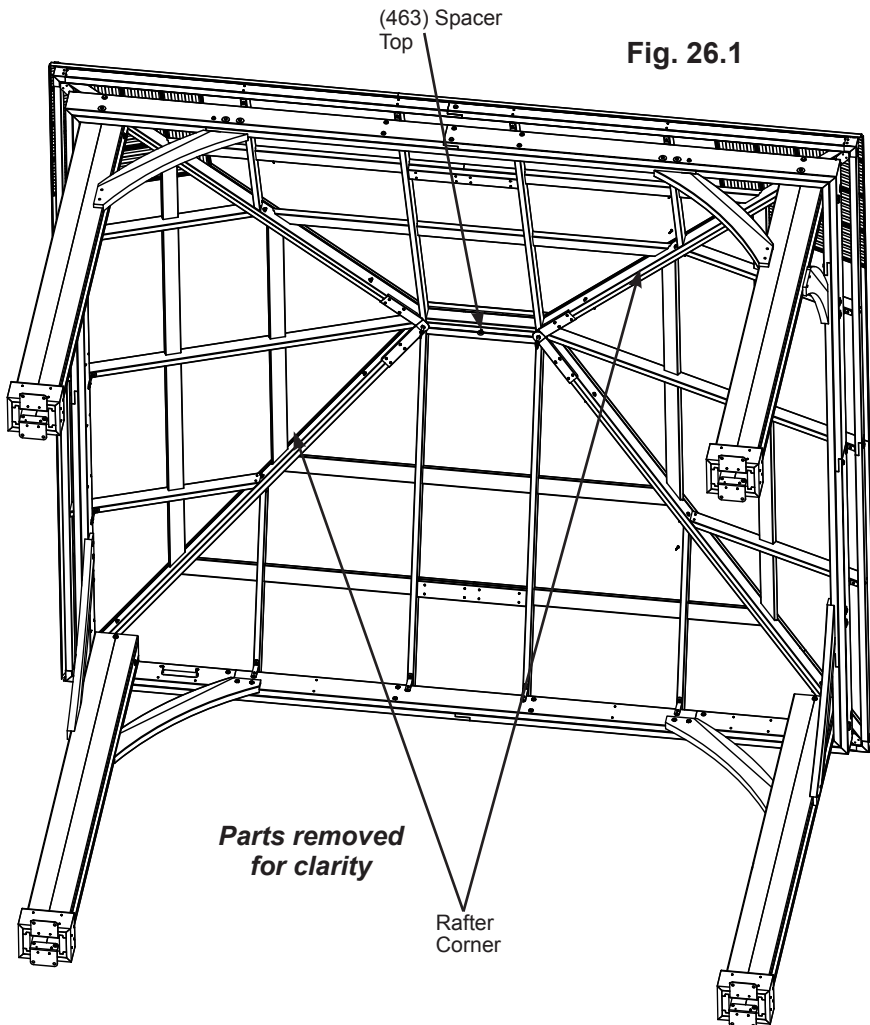


Fig. 26.1

Note: DO NOT ATTACH ANY PRODUCT WHICH WEIGHS GREATER THAN 22 LBS (10 KG) TO THE EYE LAG

Note: We have provided two 50 mm hooks for optional use to hold in place any wires if required. These hooks are not designed to hold any heavy products such as lights, flower pots, etc.

Fig. 26.2

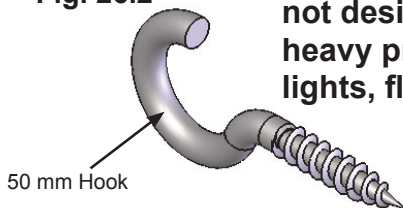
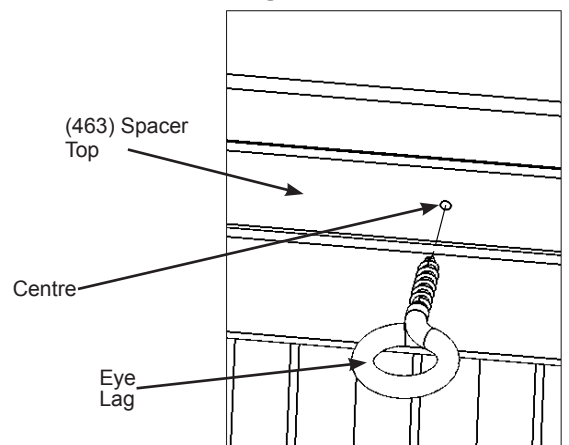


Fig. 26.3



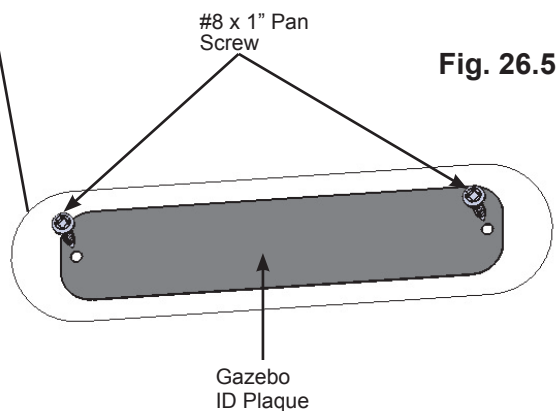
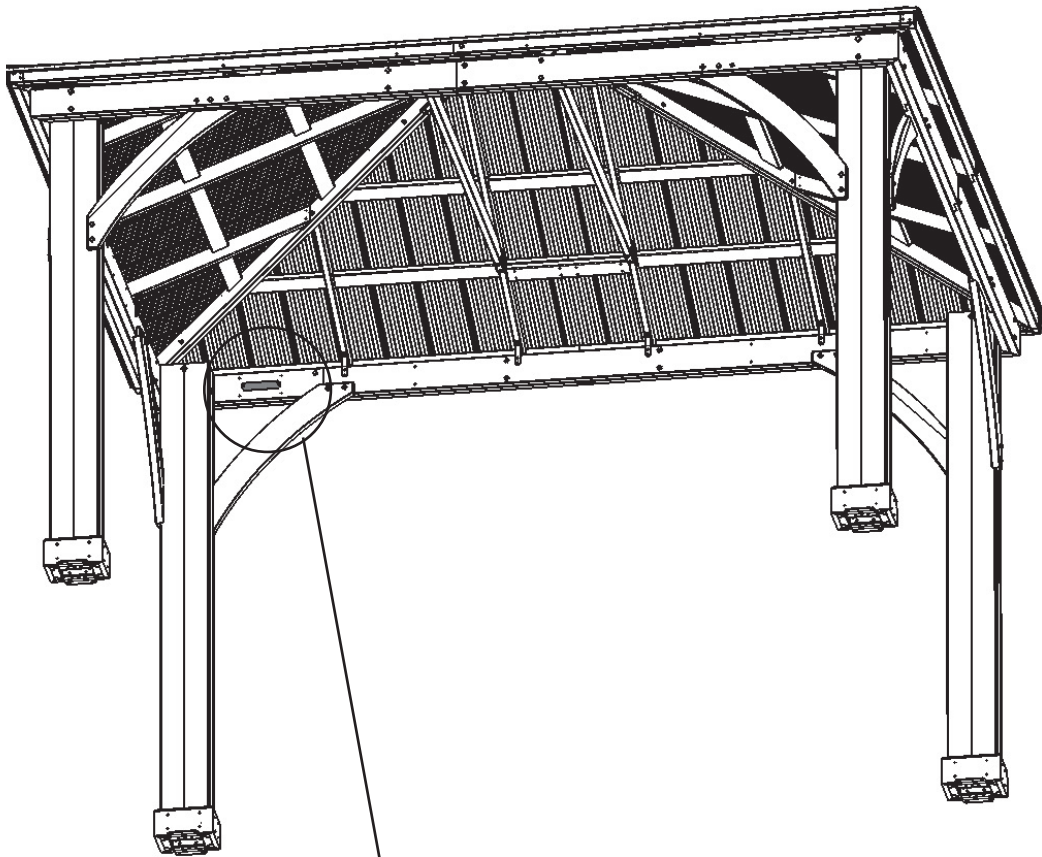
Hardware

- 2 x 50 mm Hooks
- 1 x Eye Lag

Step 26: Metal Hooks and Plaque Part 2

C: Attach Gazebo ID Plaque to a prominent location on your gazebo with two #8 x 1" Pan Screws. This provides warnings concerning safety and important contact information. A tracking number is provided to allow you to get critical information or order replacement parts for this specific model. (fig. 26.4 and 26.5)

Fig. 26.4



Componets:

1 x Gazebo ID Plaque

Hardware

2 x #8 x 1" Pan Screw



Customer Registration Card - Tarjeta de Registro del Cliente - Carte d'inscription du client

First Name - Primer Nombre - Prénom	Initial - Inicial - Initiale	Last Name - Apellido - Nom de famille

Street - Calle - Rue	PO Box - Casilla postal - Boîte postale	Apt. No. - App.

City - Ciudad - Ville	State/Province - Estado/Provincia - État/Province

ZIP/Postal Code - Código Postal - ZIP/Code postal	Country - País - Pays

E-mail Address - Dirección de E-mail - Adresse courriel	Telephone Number - No. de Teléfono - N° de téléphone

Model Name - Nombre del Modelo - Nom du modèle	Model Number (from front cover) - Número de Modelo (de la portada) - N° du modèle (page de couverture)

Date of Purchase - Fecha de Compra - Date d'achat (mm/dd/yyyy) (mm/dd/aaaa) (mm/jj/aaaa)	Place of Purchase - Comprado a - Lieu d'achat

Comments - Comentarios - Commentaires:

Mail To - Enviar por Correo a - Envoyer par courrier à:

Yardistry
375 Sligo Road West, PO Box 10
Mount Forest, Ontario, Canada, N0G 2L0
Attention: Consumer Relations
Atención a: Servicio de Atención al Cliente
À l'attention de: Service à la clientèle

Online Registration - Registro online - Enregistrement en ligne:

<http://yardistrystructures.com/warranty.php>

Yardistry would like to say "Thank you" for your time and feedback.
Yardistry quiere "Agradecerle" por su tiempo y su opinión.
Yardistry aimerait vous remercier d'avoir pris le temps de répondre au sondage.