

WGen12000

Portable Generator

Gasoline: 12,000 Running Watts | 15,000 Peak Watts

DO NOT RETURN THIS PRODUCT TO THE STORE

If you have questions or need assistance, please call customer service at 855-944-3571.

INTRODUCTION

INTRODUCTION

TABLE OF CONTENTS

INTRODUCTION

DISCLAIMERS	2
ALL RIGHTS RESERVED	2
SPECIFICATIONS	3

SAFETY

SAFETY DEFINITIONS	4
SAFETY SYMBOLS	4
SAFETY INSTRUCTIONS	5
SAFETY LABELS AND DECALS	7

COMPONENTS

GENERATOR COMPONENTS	8
CONTROL PANEL COMPONENTS	9
DATA CENTER	10
MAINTENANCE REMINDERS	10

ASSEMBLY

CARTON CONTENTS	11
INSTALL WHEELS AND LIFTING BRACKET	11
INITIAL OIL FILL	12
BATTERY INSTALLATION	12
FUEL	13

OPERATION

GENERATOR LOCATION	14
GROUNDING	14
HIGH ALTITUDE OPERATION	15
REMOTE START	15
BREAK-IN PERIOD	16
LOW IDLE	16
BEFORE STARTING THE GENERATOR	16
STARTING THE ENGINE	16

STOPPING THE ENGINE	16
FREQUENCY OF USE	16
AC CIRCUIT BREAKERS	17
POWER MANAGEMENT	17
EXTENSION CORDS	18
ST SWITCH	18
TRANSPORTING	19
MAINTENANCE SCHEDULE	20
MAINTENANCE REPLACEMENT PARTS	20
AIR FILTER MAINTENANCE	20
ENGINE OIL CHANGE	21
SPARK PLUG MAINTENANCE	22
SPARK ARRESTOR SERVICE	22
FUEL FILTER	22
BATTERY MAINTENANCE	23
BATTERY REPLACEMENT	23
STORAGE	23
VALVE CLEARANCE	24
TROUBLESHOOTING	25

EXPLODED VIEWS AND PARTS LISTS

ENGINE EXPLODED VIEW	26
ENGINE PARTS LIST	27
GENERATOR EXPLODED VIEW	30
GENERATOR PARTS LIST	31
GENERATOR PARTS LIST CONTINUED	32

SCHEMATICS

SCHEMATICS	33
------------------	----


⚠ WARNING: Operating, servicing, and maintaining this equipment can expose you to chemicals including engine exhaust, carbon monoxide, phthalates, and lead, which are known to the State of California to cause cancer and birth defects or other reproductive harm. To minimize exposure, avoid breathing exhaust, and wear gloves or wash your hands frequently when servicing this equipment. For more information go to www.P65warnings.ca.gov.

DISCLAIMERS

All information, illustrations, and specifications in this manual were in effect at the time of publishing. The illustrations used in this manual are intended as representative reference views only. We reserve the right to make any specification or design change without notice.

ALL RIGHTS RESERVED

All rights reserved. No reproduction allowed in any form without written permission from Westinghouse Outdoor Power Equipment, LLC.

⚠ DANGER	
	Read this manual before using or performing maintenance on this product. Failure to follow the instructions and safety precautions in this manual can result in serious injury or death.

SAVE THESE INSTRUCTIONS

INTRODUCTION

SPECIFICATIONS

Specifications	
Running Watts:	12,000
Peak Watts:	15,000
Rated Voltage:	120/240V
Rated frequency:	60 Hz @ 3600 RPM
Phase:	Single phase
Total Harmonic Distortion:	≤ 5%
Engine Displacement:	713 cc
Starting Type:	Recoil, Electric Start, Remote
Fuel Capacity:	10.5 Gallons (40 Liter)
Fuel Type:	Unleaded gasoline 87–93 octane*
Oil Capacity:	1.7 US Quart (1.6 Liter)
Oil Type:	SAE 10W-30
Spark Plug:	97108 (F7TC)
Spark Plug Gap:	0.024 – 0.032 in. (0.60 – 0.80 mm)
Valve Intake Clearance:	0.0031 – 0.0047 in. (0.08 – 0.12 mm)
Valve Exhaust Clearance:	0.0051 – 0.0067 in. (0.13 – 0.17 mm)
AC Grounding System:	Bonded to frame
Voltage Regulator:	AVR
Alternator Type:	Brushed
Maximum Ambient Temperature:	104°F (40°C)
Certifications:	<ul style="list-style-type: none">• EPA• CARB

*Ethanol content of 10% or less. DO NOT use E15 or E85.

UPDATES

The latest User Manual for your Westinghouse generator can be found under our support tab. <https://westinghouseoutdoorpower.com/pages/manuals>

Or scan the following QR code with your smartphone camera to be directed to the link.



NOTICE

This product is designed and rated for continuous operation at ambient temperatures up to 104°F (40°C). If needed, this product can be operated at temperatures ranging from 5°F (15°C)–122°F (50°C) for short periods. If the product is exposed to temperatures outside of this range during storage, it should be brought back within this range before operation. This product must always be operated outdoors in a well-ventilated area and far away from doors, windows, and other vents.

Maximum wattage and current are subject to and limited by such factors as fuel BTU content, ambient temperature, altitude, engine conditions, etc. Maximum power decreases about 3.5% for each 1,000 feet above sea level, and will also decrease about 1% for each 10°F (6°C) above 60°F (16°C) ambient temperature.

PRODUCT REGISTRATION

For trouble-free warranty coverage, it is important to register your Westinghouse generator.

You can register by:

- Completing and mailing the product registration card included in the carton.
- Registering your product online at: <https://westinghouseoutdoorpower.com/pages/warranty-registration>
- Scan the following QR code with your smartphone camera to be directed to the mobile registration link.



- Sending the following product information to:

Westinghouse Outdoor Power
Warranty registration
777 Manor Park Drive
Columbus, OH 43228

For Your Records

Date of Purchase: _____

Model Number: _____

Serial Number: _____

Place of Purchase: _____

IMPORTANT: Keep your purchase receipt for trouble-free warranty coverage.

SAFETY

SAFETY

SAFETY DEFINITIONS

The words DANGER, WARNING, CAUTION, and NOTICE are used throughout this manual to highlight important information. Make sure that the meanings of this safety information is known to all who operate, perform maintenance on, or are near the generator.



This safety alert symbol appears with most safety statements. It means attention, be alert, your safety is involved! Please read and abide by the message that follows the safety alert symbol.

⚠ DANGER

Indicates a hazardous situation which, if not avoided, will result in death or serious injury.

⚠ WARNING

Indicates a hazardous situation which, if not avoided, could result in death or serious injury.

⚠ CAUTION

Indicates a hazardous situation which, if not avoided, could result in minor or moderate injury.

NOTICE

Indicates a situation which can cause damage to the generator, personal property, and/or the environment, or cause the equipment to operate improperly.

Note: Indicates a procedure, practice or condition that should be followed for the generator to function in the manner intended.

SAFETY SYMBOLS

Follow all safety information contained in this manual and on the generator.

Symbol	Description
	Safety Alert Symbol
	Electrocution Hazard
	Asphyxiation Hazard
	Burn Hazard. Do not touch hot surfaces.
	Electrical Shock Hazard
	Fire Hazard
	Maintain Safe Distance
	Lifting Hazard
	Read Manufacturer's Instructions
	Do Not Operate in Wet Conditions

⚠ DANGER

Using a generator indoors CAN KILL YOU IN MINUTES. Generator exhaust contains carbon monoxide. This is a poison you cannot see or smell.



NEVER use inside a home or garage, EVEN IF doors and windows are open.

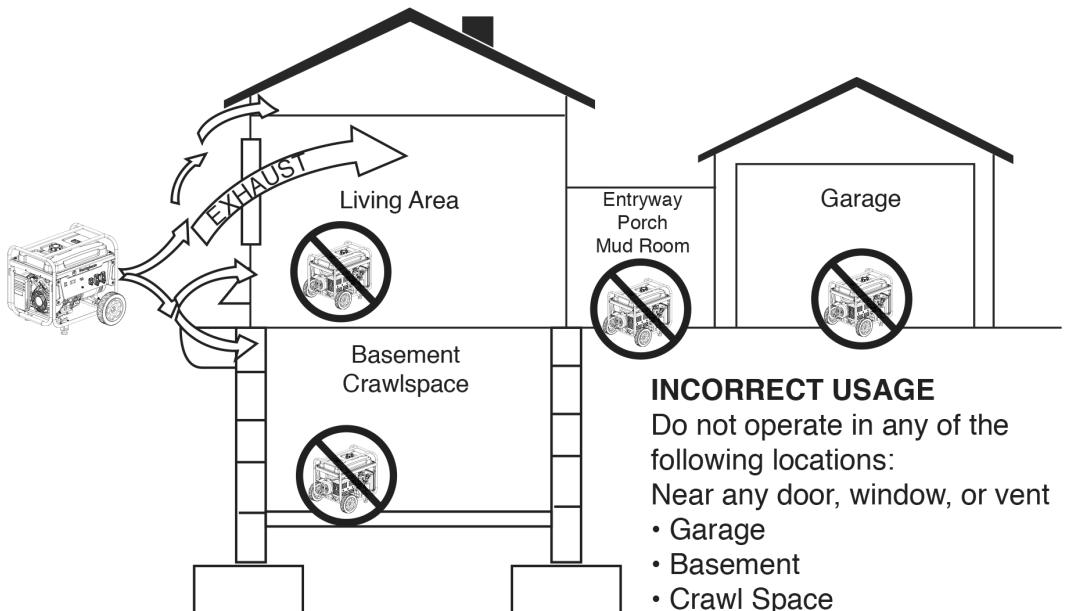
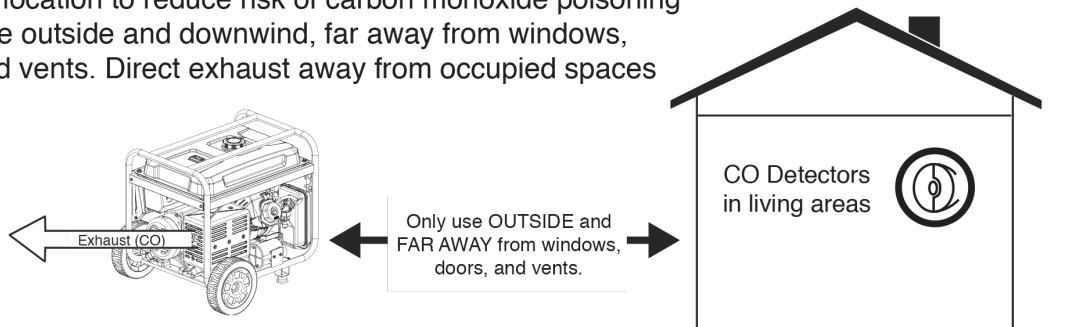


Only use OUTSIDE and far away from windows, doors, and vents.

SAFETY INSTRUCTIONS

CORRECT USAGE

Example location to reduce risk of carbon monoxide poisoning
ONLY use OUTSIDE and downwind, far away from windows,
doors and vents. Direct exhaust away from occupied spaces



INCORRECT USAGE

Do not operate in any of the following locations:

Near any door, window, or vent

- Garage
- Basement
- Crawl Space
- Living Area
- Attic
- Entry Way
- Porch
- Mudroom

NOTICE

Install battery-powered carbon monoxide detectors or plug-in carbon monoxide detectors with battery back-up in living areas.

⚠ DANGER

Fire and electrocution hazard. Do not connect to a building's electrical system unless the generator and transfer switch have been properly installed and the electrical output has been verified by a qualified electrician. The connection must isolate the generator power from utility power and must comply with all applicable laws and electrical codes.

⚠ DANGER

Electrocution hazard. Never use the generator in a location that is wet or damp. Never expose the generator to rain, snow, water spray, or standing water while in use. Protect the generator from all hazardous weather conditions. Moisture or ice can cause a short circuit or other malfunction in the electrical circuit.

SAFETY

GENERAL SAFETY PRECAUTIONS

- Never use the generator to power medical support equipment.
- Do not operate the generator when you are tired or under the influence of drugs, alcohol, or medication.
- Do not use generator with electrical cords which are worn, frayed, bare, or otherwise damaged.
- All electrical tools and appliances operated from this generator must be properly grounded by use of a third wire or be double-insulated.
- When this generator is used to supply a building wiring system the generator must be installed by a qualified electrician and connected to a transfer switch as a separately derived system in accordance with NFPA 70, National Electrical Code.
- If you begin to feel sick, dizzy, or weak while using the generator, move to fresh air IMMEDIATELY. See a doctor, as you can have carbon monoxide poisoning.
- Only use OUTSIDE and far away from windows, doors, and vents as recommended by the US Department of Health and Human Services Centers for Disease Control and Prevention. Your specific home and/or wind conditions may require additional distance.
- While operating and storing, keep at least five feet of clearance on all sides of the generator, including overhead. Allow the generator to cool a minimum of 30 minutes before storage. Heat created by the muffler and exhaust gases could be hot enough to cause serious burns and/or ignite combustible objects.
- Do not touch the muffler or engine. They are very HOT and will cause severe burns. Do not put body parts or any flammable or combustible materials in the direct path of the exhaust.
- Always remove any tools or other service equipment used during maintenance away from the generator before operating.
- Avoid skin contact with engine oil or gasoline. Wear protective clothing and equipment. Wash all exposed skin with soap and water.

FUEL SAFETY

- Store fuel in a container approved for gasoline.
- Do not smoke when filling the generator with gasoline.
- Do not allow the generator's gas tank to overflow when filling.
- Shut down the engine and allow it to cool for two minutes before adding gasoline or oil to the generator.
- Never remove the fuel cap when the generator is running. Shut off the engine and allow the unit to cool at least two minutes. Remove the fuel cap slowly to release pressure, keep fuel from escaping around the cap, and to avoid the heat from the muffler igniting fuel vapors. Tighten the fuel cap securely after refueling.
- Wipe spilled fuel from the unit.
- Never attempt to burn off spilled fuel.
- Never overfill the fuel tank. Leave room for fuel to expand. Overfilling the fuel tank can result in a sudden overflow of gasoline and result in spilled gasoline coming in contact with HOT surfaces.
- Spilled fuel can ignite. If fuel is spilled on the generator, wipe up any spills immediately. Dispose of rag properly. Allow area of spilled fuel to dry before operating the generator.
- Wear eye protection while refueling.
- Never use gasoline as a cleaning agent.
- Store any containers containing gasoline in a well-ventilated area, away from any combustibles or source of ignition.

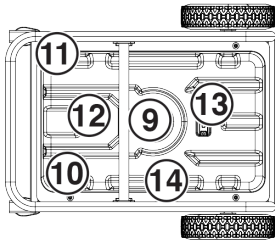
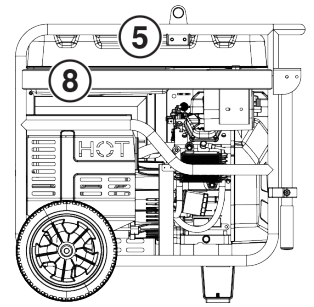
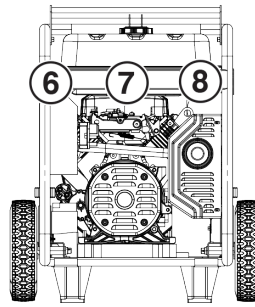
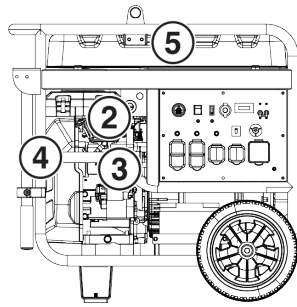
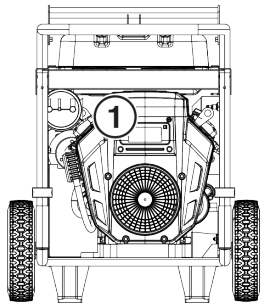
GASOLINE AND GASOLINE VAPOR (GAS)

⚠ DANGER

Fire and explosion hazard. Gasoline and LPG/propane are highly explosive and flammable and can cause severe burns or death.

- In case of a gas fire, do not attempt to extinguish the flame if the fuel tank valve is in the ON position. Introducing an extinguisher to a generator with an open fuel valve could create an explosion hazard.
- Gas has a distinctive odor, this will help detect potential leaks quickly.
- Gas vapors can cause a fire if ignited.
- Gasoline is a skin irritant and needs to be cleaned up immediately if it comes in contact with the skin.

SAFETY LABELS AND DECALS



1 AIR FILTER
Clean filter every 50 hours of use! (see manual for instructions)

FILTRO DE AIRE
¡Limpie el filtro cada 50 horas de uso! (ver el manual para instrucciones)

FILTRE À AIR
Nettoyez le filtre toutes les 50 heures d'utilisation! (voir manuel pour les instructions)

2 FUEL
ADJUSTABLE
RESISTANT
OFF
EN SUR

3 OIL FILL AND DIPSTICK
CAPACITY: 1.6L
TO ADD OIL, UNSCREW CAP. FILL TO BOTTOM LIP WITH 10W-30 HIGH DETERGENT MOTOR OIL. CAPACIDAD DE ACEITE: 1.6L. CONSULTE EL MANUAL. CAPACITÉ D'HUILE: 1.6L. CONSULTEZ LE MANUEL.

4 BUIJIE D'ALLUMAGE | **BUJÍA** | **SPARK PLUG**
CONSULTER LE MANUEL AVANT DE RETIRER | CONSULTE EL MANUAL ANTES DE RETIRAR | CONSULT MANUAL BEFORE REMOVING

5 12000/15000
RUNNING WATTS | PEAK WATTS

6 TECHNICAL ASSISTANCE OR SERVICE CALL TOLL FREE
Para la ayuda técnica y servicio llámados
1-855-944-3571
3 YEAR LIMITED WARRANTY

7 Westinghouse	Model Modèle	WG6500	Power (Peak) Pulsación (Pico)	15000W	Insul. Class Classe D'isol.		Serial No./No. de Série	Register your product!
	Part No. Part No.		Power (Peak) Pulsación (Pico)	12000W	Max. Amb. Temp. Temp. Amb. Máx.			
Westinghouse Outdoor Power Equipment, LLC Columbus Ohio 43228 USA	AC Voltage Tensión CA	120V	Frequency Frecuencia	60Hz	Duty Service		Serial Number Número de serie	QR Code
Westinghouse Outdoor Power Equipment, LLC Columbus Ohio 43228 USA	AC Current Corriente CA	15A	RPM TR/MIN	3600	Designed in Columbus, Ohio USA Con la a columbus, Ohio-Etats-Unis	Made in Vietnam/Fabriquée en Viêt Nam	Número de série	

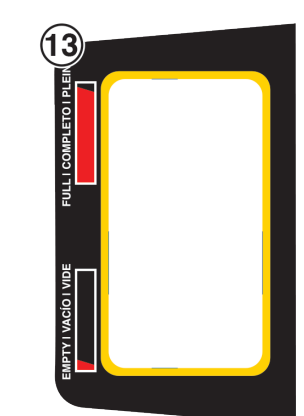
8 CAUTION HOT SURFACES
PRECAUCIÓN SUPERFICIES CALIENTES
ATTENTION AUX SURFACES CHAUDES

9 DO NOT OVERFILL
10.5 Gal 40L
USE FUEL STABILIZER FOR STORAGE
UTILISEZ UN STABILISATEUR DE CARBURANT POUR LE STOCKAGE
EL USO DEL ESTABILIZADOR DE COMBUSTIBLE PARA EL ALMACENAMIENTO

10 WARNING: Cancer and reproductive harm - www.P65Warnings.ca.gov/product
AVERTISSEMENT: Cancer et problèmes de reproduction - www.P65Warnings.ca.gov/product
ADVERTENCIA: Cáncer y daños al sistema reproductor - www.P65Warnings.ca.gov/product

11 DANGER Failure to follow warnings, instructions and operator's manual will result in death or serious injury. Generator could cause electrical shock. • ONLY use in dry conditions. • DO NOT operate in rain or wet weather. • A transfer switch must be used when connecting to a building. Never fuel unit with engine running. Always fuel in well ventilated area. Always allow unit to cool before fueling.	PELIGRO No obedecer las advertencias e instrucciones y el manual del operador provocará lesiones graves o la muerte. El generador podría causar un choque eléctrico. • No opere en interiores para evitar condiciones de humedad. • No opere en la lluvia ni en otros tiempos húmedos. • No conecte al sistema eléctrico de su casa. Nunca cargue un tanque con el motor en marcha. Cargue siempre en un área bien ventilada. Siempre deje que la unidad se enfríe antes de cargar combustible.	DANGER Les gaz d'échappement chauds peuvent provoquer des brûlures. Gardez un écartement d'au moins 15 cm tout combustible ou structure, y compris les frais généraux. Le générateur pourrait provoquer un choc électrique. • Ne touchez pas le générateur pour éviter des conditions humides. • Ne touchez pas votre visage ou votre corps avec le générateur. • Ne vous connectez pas au système électrique d'une maison. Ne faites jamais de carburant avec le moteur en marche. Faites toujours le plein dans un endroit bien ventilé. Laissez toujours refroidir l'unité avant de faire le plein.
--	--	---

12 DANGER
USING A GENERATOR INDOORS CAN KILL YOU IN MINUTES. GENERATOR EXHAUST CONTAINS CARBON MONOXIDE. THIS IS A POISON YOU CANNOT SEE OR SMELL.
NEVER USE INSIDE A HOME OR GARAGE, EVEN IF DOORS AND WINDOWS ARE OPEN.
ONLY USE OUTSIDE AND FAR AWAY FROM WINDOWS, DOORS, AND VENTS.
DANGER PELIGRO
Utiliser un générateur à l'intérieur PEUT VOUS TUER EN QUELQUES MINUTES.
Les gaz d'échappement du générateur contiennent du monoxyde de carbone. C'est un gaz toxique invisible et inodore.
NE JAMAIS utiliser à l'intérieur d'une maison ou d'un garage, MÊME si les portes et les fenêtres sont ouvertes.
Utiliser UNIQUEMENT à l'EXTÉRIEUR et loin des fenêtres, portes et ducts de ventilation.



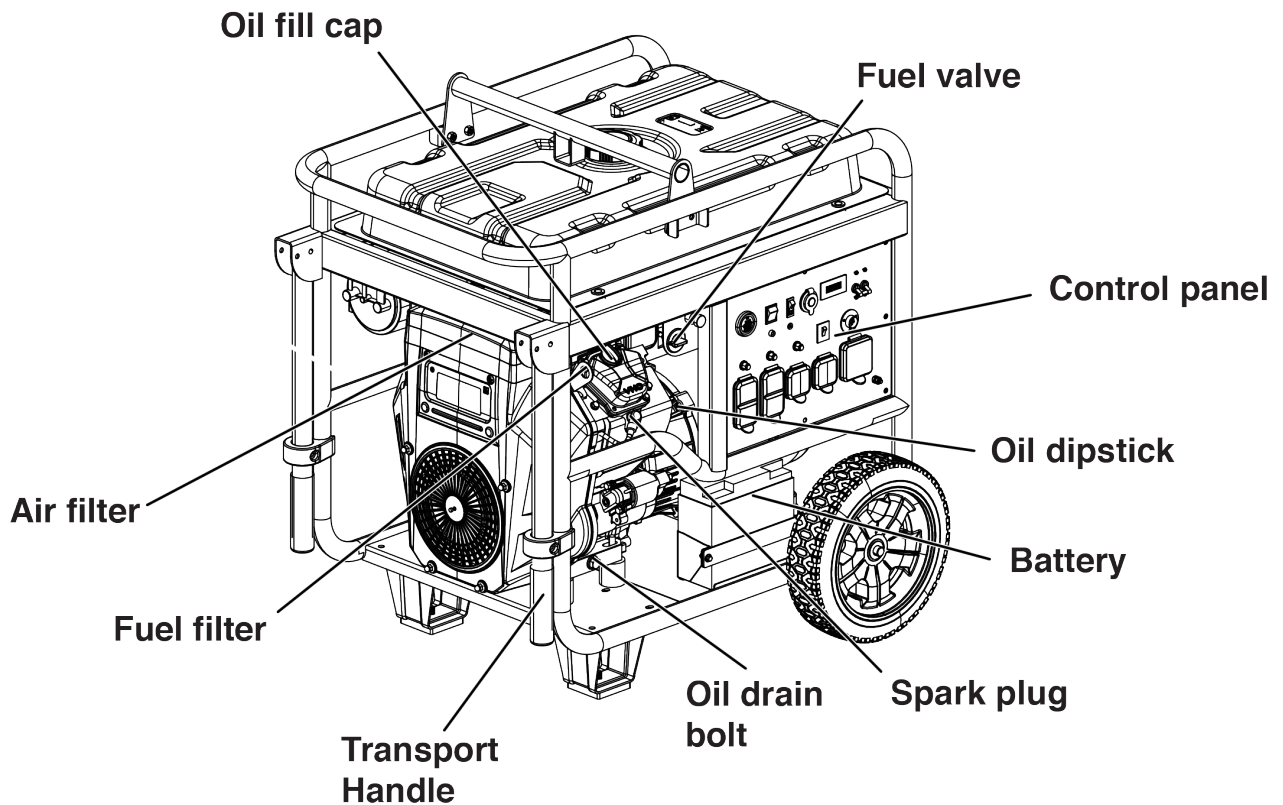
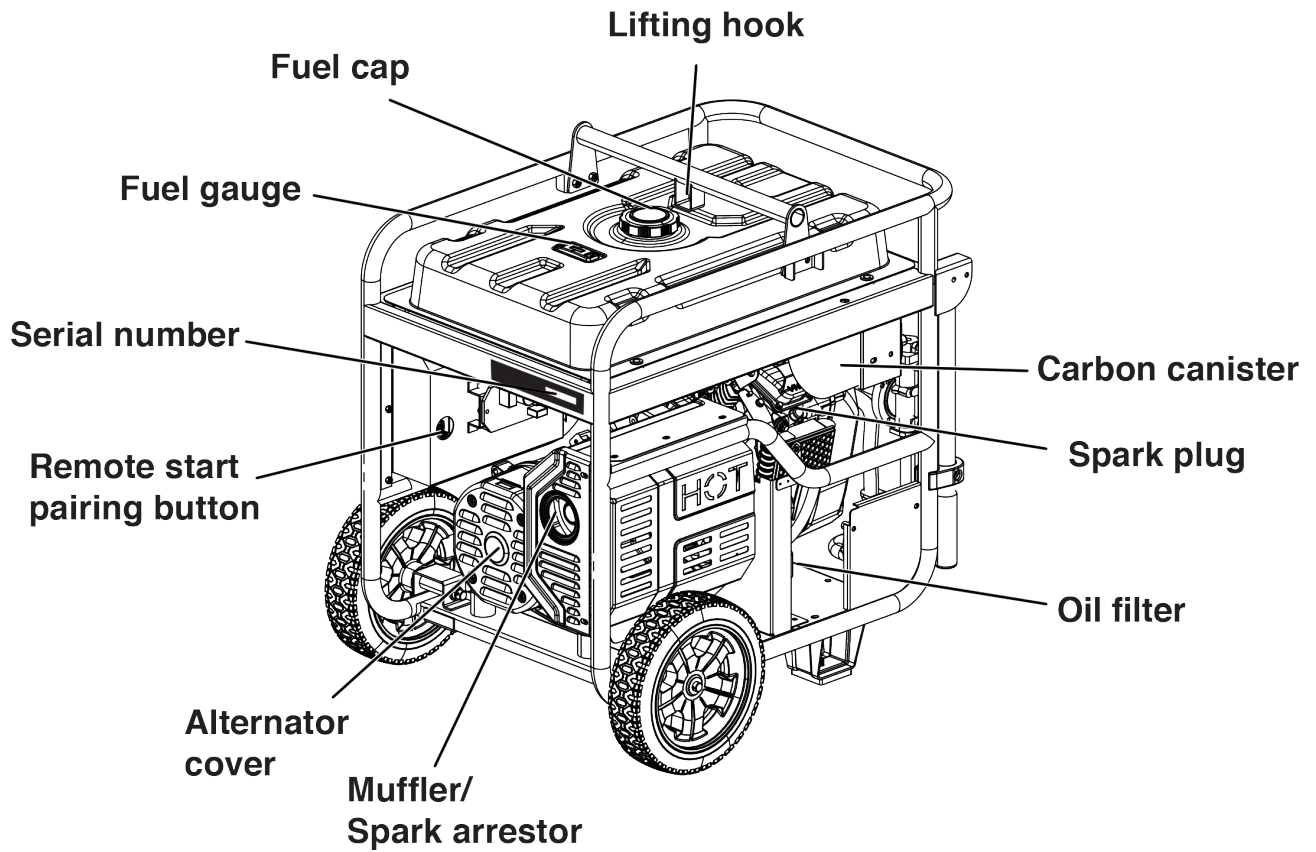
14 EZ START INSTRUCTIONS | INSTRUCCIONES DE INICIO | INSTRUCCIONES DE DÉMARRAGE

SHUT OFF | APAGAR | ÉTEINDRE

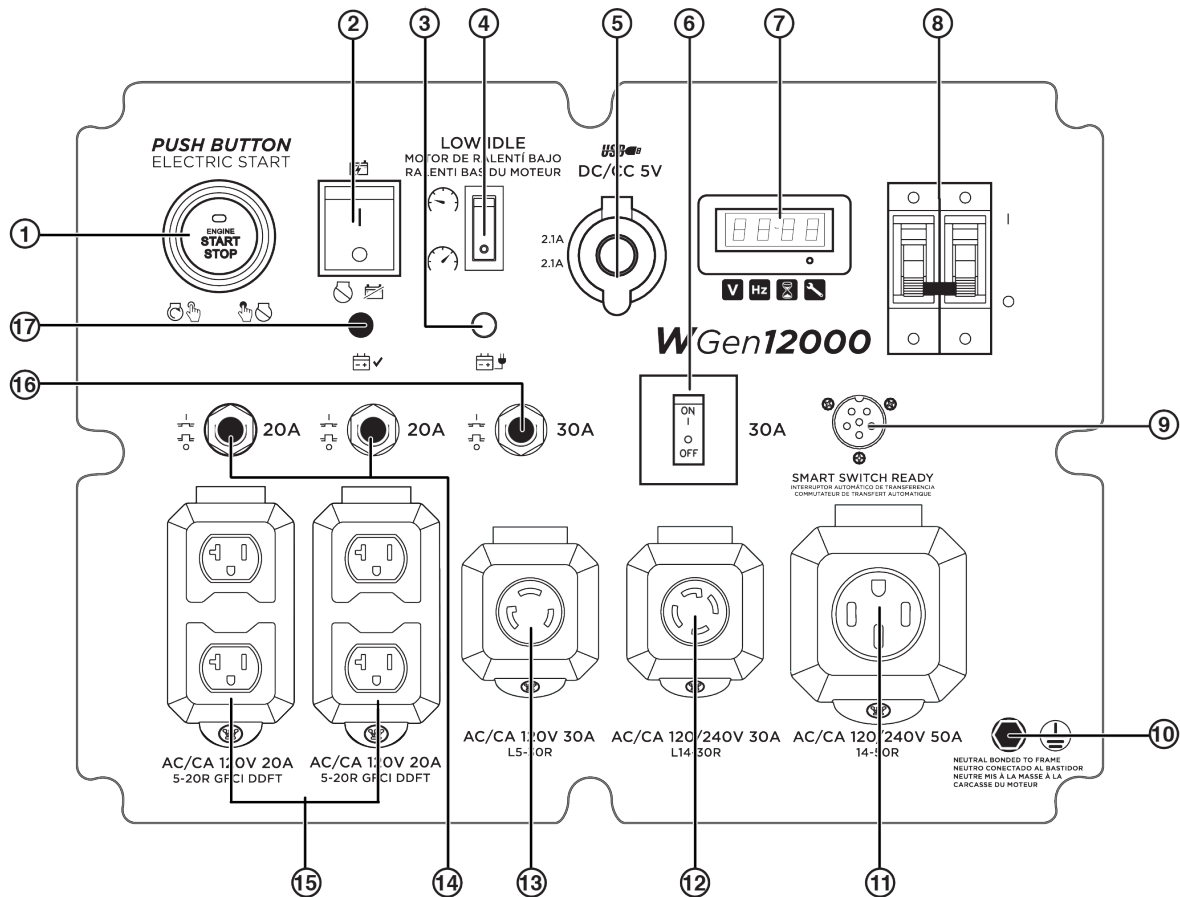
COMPONENTS

COMPONENTS

GENERATOR COMPONENTS



CONTROL PANEL COMPONENTS



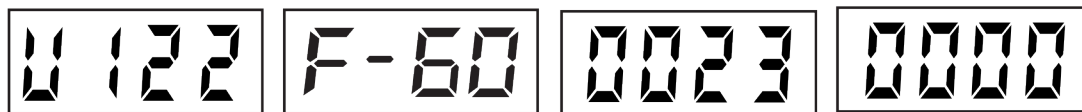
1. **Push-Button START/STOP:** Push once to automatically start the engine. Push again to stop the engine.
2. **Battery Switch:** Turns battery ON and OFF. Must be ON before electric or remote start.
3. **Battery Charging Port:** Used to charge the battery with the included battery charger.
4. **Low Idle Switch:** Low Idle minimizes fuel consumption, noise, and engine wear by lowering the engine RPM during intermittent use. See **LOW IDLE** section for important use considerations.
5. **USB Ports:** Two-port 5V/2.1A USB outlet. Accepts Type A USB plugs.
6. **30 Amp AC Circuit Breaker:** Circuit breaker limits the current that can be delivered through the NEMA L14-30R receptacle to 30 amps.
7. **Data Center:** Displays voltage, frequency, total hour meter, and run/maintenance timer.
8. **Main Circuit Breaker:** The main circuit breaker controls total output of all outlets to protect the generator from overload or short circuit.
9. **Smart Switch Outlet:** Connects the Westinghouse ST Switch (sold separately) to the control panel.
10. **Ground Terminal:** The ground terminal is used to externally ground the generator.
11. **120/240-Volt AC, 50-Amp NEMA 14-50R Receptacle:** Receptacle can supply either 120V or 240V up to 50 amps.
12. **120/240-Volt AC, 30-Amp NEMA L14-30R Receptacle:** Receptacle can supply either 120V or 240V up to 30 amps.
13. **120-Volt AC, 30-Amp NEMA L5-30R Receptacle:** Receptacle can supply a maximum of 30 Amps.
14. **20 Amp AC Circuit Breakers:** Circuit breakers limits the current that can be delivered through each NEMA 5-20R receptacle to 20 Amps.
15. **120-Volt AC, 20-Amp NEMA 5-20R GFCI Receptacles:** Each receptacle is capable of carrying a maximum of 20 amps on a single receptacle or a combination of both receptacles.
16. **30 Amp AC Circuit Breaker:** Circuit breaker limits the current that can be delivered through the NEMA L5-30R receptacle to 30 amps.
17. **Battery Indicator:** Indicates that power is ON. Light will remain illuminated while the unit is ON.

COMPONENTS

DATA CENTER

Use the Mode button on the Data Center to switch between displays.

DATA CENTER

**Voltage:**

Displays current voltage output.

Frequency (Hz):

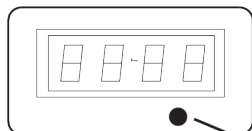
Displays power output frequency in Hertz.

Lifetime Hours:

Displays the lifetime run hours.

Run Time/Maintenance:

Displays current run time. Resets to zero when shut down. Maintenance reminder displayed when required.



Push the Mode button to cycle through the data display modes.



Mode Button

MAINTENANCE REMINDERS

Maintenance reminder codes will be shown on the Data Display based on unit lifetime hours. The maintenance codes will be displayed until the unit is turned off. Refer to the Maintenance section for specific procedures.

Maintenance Code	Required Maintenance
P25	Change engine oil/replace oil filter
P50	Change engine oil/replace oil filter, clean air filter
P100	Change engine oil/replace oil filter, clean air filter, replace fuel filter

ASSEMBLY

CARTON CONTENTS

⚠ CAUTION

Weight hazard. Always have assistance when lifting the generator.

1. Carefully open the carton.
2. Remove and save the carton contents.
3. Remove and discard the packing tray.
4. Unfold the top of the plastic bag enclosing the generator.
5. Carefully cut the vertical corners of the carton to access the generator.
6. Recycle or dispose of the packaging materials properly.

CARTON CONTENTS

- User manual
- Quick Start Guide/Maintenance Schedule
- Remote start key fob
- Bottle of SAE 10W-30 Oil
- Battery charger
- Spark plug socket wrench
- Oil Funnel
- Assembly wrench

Wheel and lifting hook components

- Lifting hook (1)
- Flange bolt, M8 (4)
- Wheel (2)
- Axle pin (2)
- Washer(4)
- Cotter pin (4)

If any parts are missing, contact our service team at service@wpowereq.com or call 1-855-944-3571.

INSTALL WHEELS AND LIFTING BRACKET

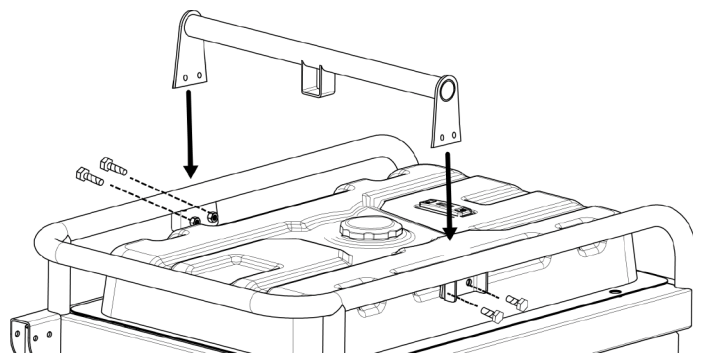
NOTICE

Assembling the generator will require lifting the unit on one side. Install the wheels before adding fuel or oil.

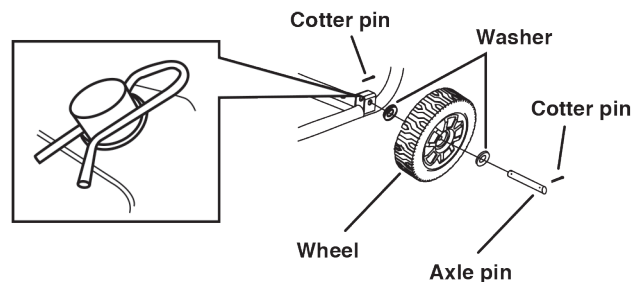
⚠ CAUTION

Lifting hazard. Use two people when installing the wheels. Refer to LIFTING HOOK in the OPERATION section.

1. Place generator on a flat surface.
2. Align the lifting hook bracket with the mounting brackets on the top of the fuel tank. Secure with four M8 flange bolts.



3. Use the Lifting Hook to raise the unit enough to install the wheels as shown.



Note: The wheels are only intended for hand transport. The wheels are not suitable for towing the generator either on or off-road.

ASSEMBLY

INITIAL OIL FILL

NOTICE

THIS GENERATOR HAS BEEN SHIPPED WITHOUT OIL. Do not attempt to crank or start engine before it has been properly serviced with recommended oil. Failure to add engine oil before starting will result in serious engine damage.

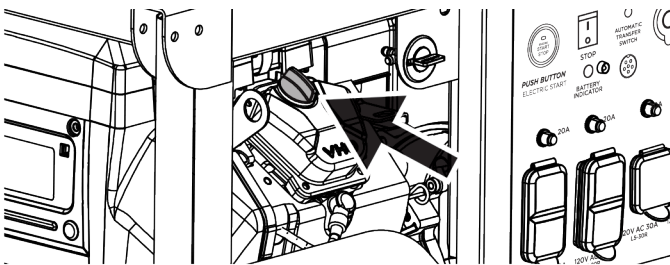
NOTICE

Use of 2-stroke/cycle oil or other unapproved oil types can cause severe engine damage that is not covered under warranty.

The included, recommended oil type for typical use is 10W-30 engine oil. If running the generator in extreme temperatures, refer to the following chart.

Recommended Engine Oil Type								
			10W-30					
	5W-30					10W-40		
	5W-30 Synthetic							
°F	-20	0	20	40	60	80	100	120
°C	-28.9	-17.8	-6.7	4.4	15.6	26.7	37.8	48.9
	Ambient temperature							

1. On a level surface, remove the oil fill cap.



2. Using the supplied funnel and oil, add the oil into the engine.
3. Replace the oil fill cap and tighten securely.

BATTERY INSTALLATION

CAUTION

Battery posts, terminals contain lead and lead compounds. Wash hands after handling.

WARNING

The battery gives off explosive hydrogen gas during normal operation. A spark or flame can cause the battery to explode with enough force to kill or seriously hurt you. Wear protective clothing and a face shield, or have a skilled technician perform battery maintenance.

WARNING

Burn hazard. The battery contains sulfuric acid (electrolyte) which is highly corrosive and poisonous. Wear protective clothing and eye protection when working near the battery. Keep children away from the battery.

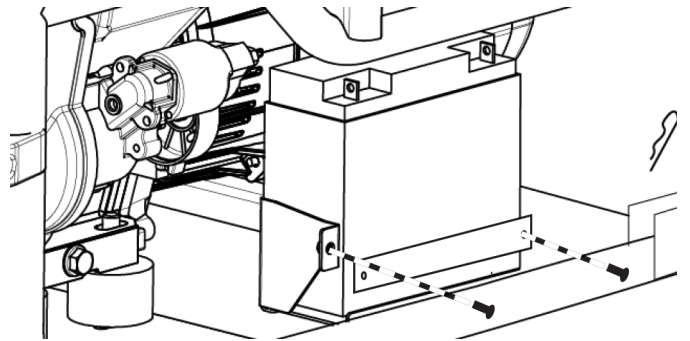
WARNING

NEVER smoke or work near sparks or other sources of ignition. NEVER touch both battery terminals at the same time with your hand or any non-insulated tools. If battery acid contacts skin or clothing, flush immediately with water and neutralize with baking soda.

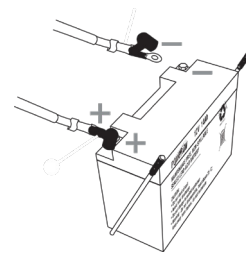
The battery shipped with the generator has been fully charged. A battery may lose some charge when not in use. See the BATTERY MAINTENANCE section for battery charging procedure.

Note: Once started, the generator will charge the battery after 30–60 minutes of use.

1. Remove the two battery plate bolts and battery plate. Tilt the battery forward and remove.



2. Connect the positive (+) battery cable (red boot) to the positive (+) battery post. Secure the boot over the battery post.



3. Connect the negative (-) cable (black boot) to the negative (-) battery post. Secure the boot over the battery post.

4. Install the battery in the battery tray. Install the battery plate and bolts. Tighten the bolts securely.

FUEL

⚠ WARNING

Fire and explosion hazard. Never use a gasoline container, gasoline tank, propane connector hose, propane tanks, or any other fuel item that is broken, cut, torn or damaged.

⚠ DANGER

Fire and explosion hazard. Do not overfill fuel tank. Fill only to the red fill ring located in the in-tank fuel screen filter. Overfilling may cause fuel to spill onto engine causing a fire or explosion hazard.

⚠ DANGER

Fire and explosion hazard. Never refuel the generator while the engine is running. Always turn the engine off and allow the generator to cool for two minutes before refueling.

NOTICE



Do not use E15 or E85 fuel in this product. Engine or equipment damage caused by stale fuel or the use of unapproved fuels (such as E15 or E85 ethanol blends) is not covered by warranty. Only use unleaded gasoline containing up to 10% ethanol.

FUEL REQUIREMENTS

- CLEAN, FRESH, unleaded gasoline, 87–93 octane.
- Up to 10% ethanol (gasohol) is acceptable (where available; non-ethanol fuel is recommended).
- DO NOT use E85 or E15.
- DO NOT use a gas oil mix.
- DO NOT modify the engine to run on alternate fuels.
- DO NOT fuel indoors.
- DO NOT create a spark or flame while fueling.

USING FUEL STABILIZER

Adding a fuel stabilizer (not included) extends the usable life of fuel and helps prevent deposits from forming that can clog the fuel system. Follow the manufacturer's instructions for use.

Always mix the correct amount of fuel stabilizer to gasoline in an approved gasoline container before fueling the generator. Run the generator for five minutes to allow the stabilizer to treat the entire fuel system.

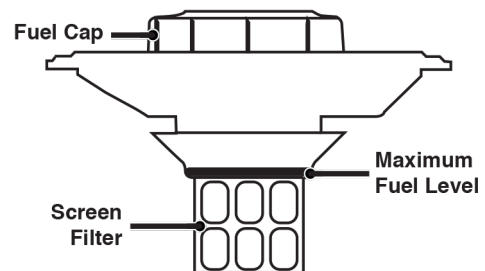
FILLING THE FUEL TANK

1. Turn the generator OFF and allow to cool for a minimum of two minutes before fueling.
2. Place the generator on level ground in a well ventilated area.
3. Clean area around fuel cap and remove the cap slowly.

NOTICE

Only fill the tank from an approved gasoline container. Make sure the gasoline container is internally clean and in good condition to prevent fuel system contamination.

4. Slowly add CLEAN, FRESH, unleaded gasoline, 87–93 octane. Do not overfill. Fill only to the red maximum fill ring on the fuel screen filter visible in the filler neck.



5. Install the fuel cap.

NOTICE

Fuel can damage paint and plastic. Use caution when filling the fuel tank. Damage caused by spilled fuel is not covered under warranty.

NOTICE



Clean the fuel tank screen filter of debris before and after each fueling. Remove the fuel screen filter by slightly compressing it while removing it from the fuel tank.

OPERATION

OPERATION

GENERATOR LOCATION

Read and understand all safety information before starting the generator.

⚠ DANGER	
Using a generator indoors CAN KILL YOU IN MINUTES. Generator exhaust contains carbon monoxide. This is a poison you cannot see or smell.	
	
NEVER use inside a home or garage, EVEN IF doors and windows are open.	Only use OUTSIDE and far away from windows, doors, and vents.

NEVER operate the generator inside any building, including garages, basements, crawlspaces, sheds, enclosure, or compartment, including the generator compartment of a recreational vehicle.

⚠ DANGER
Electrocution hazard. Never use the generator in a location that is wet or damp. Never expose the generator to rain, snow, water spray, or standing water while in use. Protect the generator from all hazardous weather conditions. Moisture or ice can cause a short circuit or other malfunction in the electrical circuit. Using a generator or electrical appliance in wet conditions, such as rain or snow, or near a pool or sprinkler system, or when your hands are wet, could result in electrocution.

⚠ WARNING
Fire hazard. Only operate the generator on a solid, level surface. Operating the generator on a surface with loose material such as sand or grass clippings can cause debris to be ingested by the generator that could block cooling vents or the air intake system. Allow the generator to cool for 30 minutes before transport or storage.

The generator should be on a flat, level surface at all times (Even while not in operation). The generator must have at least 5 ft. (1.5 m) of clearance from all combustible material.

Do not operate the generator in the back of a SUV, camper, trailer, truck bed (regular, flat, or otherwise), under stairs, next to walls or buildings, or in any other location that will not allow for adequate cooling of the generator and/or the muffler. DO NOT contain generators during operation.

⚠ DANGER
Asphyxiation hazard. Place the generator in a well-ventilated area. DO NOT place the generator near vents or intakes where exhaust fumes could be drawn into occupied or confined spaces. Carefully consider wind and air currents when positioning the generator.

GROUNDING

⚠ WARNING
Shock hazard. Failure to properly ground the generator can result in electric shock.

NOTICE
Only use grounded 3-prong extension cords, tools, and appliances, or double-insulated tools and appliances.

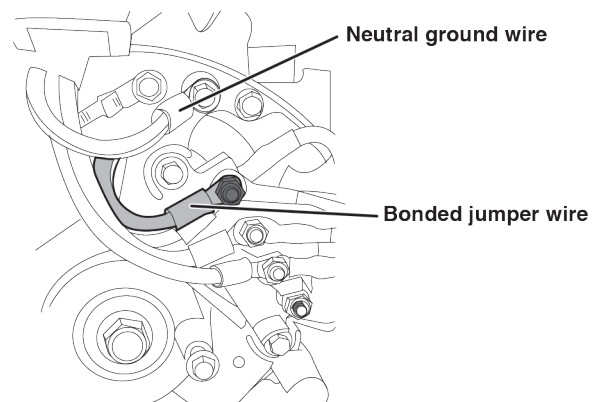
The generator neutral is bonded to the frame. There is a permanent conductor between the generator (stator wire) and the frame. If this generator will be used only with cord and plug equipment connected to the receptacles mounted on the generator, National Electric Code does not require that the unit be grounded. However, other methods of using the generator may require grounding to reduce the risk of shock or electrocution.

Before using the ground terminal, consult a qualified electrician, electrical inspector, or local agency having jurisdiction for local codes or ordinances that apply to the intended use of the generator.

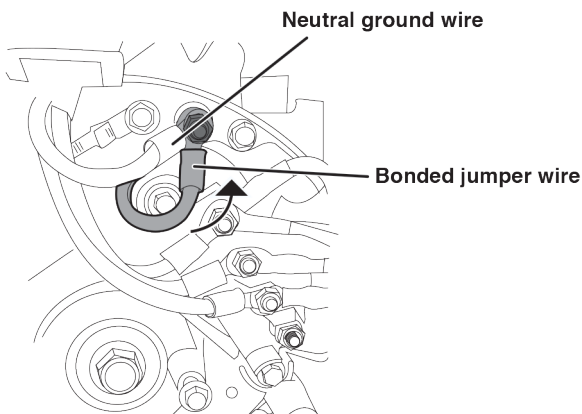
DISCONNECTING THE BONDED NEUTRAL

Removing the bonded neutral disables the GFCI protection from the 5-20R receptacles. The bonded neutral should only be removed under specific circumstances. Consult a qualified electrician to determine if your situation requires disconnecting the bonded neutral.

1. Remove the alternator cover.
2. Remove the bonded jumper wire and reinstall the nut.



- Remove the nut securing the neutral ground wire and attach the bonded jumper wire. Reinstall the nut.



- Reinstall the alternator cover.

IMPORTANT: Apply a new “NEUTRAL UNBONDED” Label over the “NEUTRAL BONDED TO FRAME” label on the front of the control panel.

HIGH ALTITUDE OPERATION

Engine power is reduced the higher you operate above sea level. Output will be reduced approximately 3.5% for every 1000 feet of increased altitude from sea level.

High altitude adjustment is required for operation at altitudes over 2000 ft. (762 m). Operation without this adjustment will cause decreased performance, increased fuel consumption, and increased emissions.

NOTICE

Do not operate the generator at altitudes below 2,000 ft. (762 m) with the high altitude kit installed. Engine damage may occur.

High Altitude Carburetor Kit Part# 518904

REMOTE START

⚠ WARNING

Verify that the area around the generator is clear before remote starting the generator.

The remote start key fob included with the generator should be attached to the recoil handle or control panel. If your unit was shipped without a key fob, contact Westinghouse customer service.

The generator can be started remotely from up to 99 feet (30 meter) using the remote start key fob.

Note: As the batteries in the remote start key fob drain, operational distance will decrease.

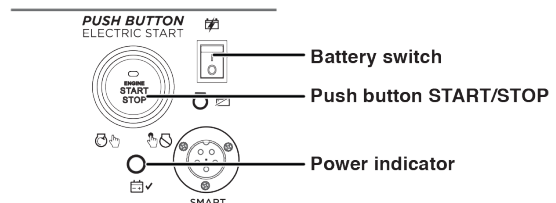
PAIRING THE REMOTE START

Remote replacement batteries: (2) CR2016

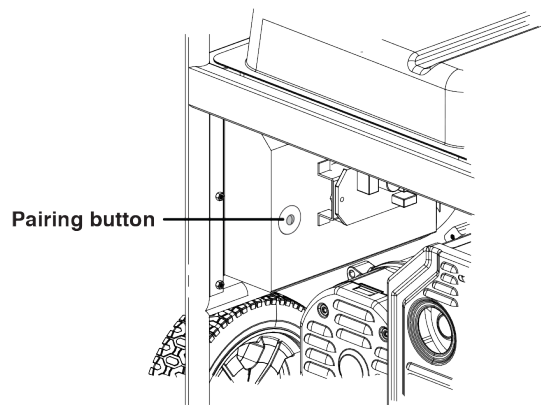
Remote replacement: Part# 100714A

If the remote start key fob is replaced or needs re-paired to the generator, follow this procedure:

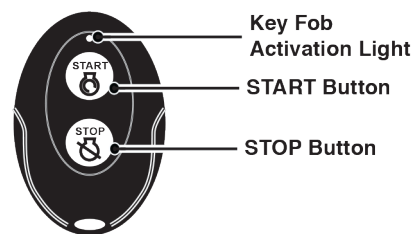
- Turn the generator battery switch to the ON position. The power indicator light will illuminate.



- Push and hold the red Pairing button on the back of the control panel until the START/STOP button illuminates.



- Push and hold the STOP button on the key fob until the START/STOP button illumination turns OFF. Release the button. The START/STOP button will illuminate after the button is released.



- Push and hold the START button on the key fob until the START/STOP button illumination turns OFF. Release the button. The START/STOP button will illuminate after the button is released.
- Push the Pairing button on the side of the control panel until the START/STOP button illumination turns OFF. Release the button.
- Turn the generator battery switch to the OFF position. The remote is now paired.

OPERATION

BREAK-IN PERIOD

For proper break-in, do not exceed 50% of the rated running watts (6000 watts) during the first five hours of operation.

Vary the load occasionally to allow stator windings to heat and cool and help seat the piston rings.

LOW IDLE

NOTICE

Always start the generator with Low Idle switch OFF. Allow the engine speed to stabilize before switching Low Idle ON.

NOTICE

Frequency output of the generator is dependent on engine speed. DO NOT use Low Idle when powering sensitive electronics or large surge loads such as an air conditioner, electric pump, refrigerator, or when connected to a home transfer switch.

Low Idle minimizes fuel consumption, noise, and engine wear by lowering the engine RPM to idle (2400 RPM) when electrical loads have been turned off and automatically returns to rated speed when loads are turned back on.

Turn Low Idle ON when powering intermittent, non-electronic loads, such as power tools at a work site.

BEFORE STARTING THE GENERATOR

Verify that:

- The generator is placed in an safe, appropriate location.
- The generator is on a dry, flat, and level surface.
- The engine is filled with oil.
- All loads are disconnected.

⚠ DANGER

Fire and explosion hazard. DO NOT move or tip the generator during operation.

STARTING THE ENGINE

⚠ DANGER

Fire and explosion hazard. DO NOT add gasoline to the fuel tank while the generator is in operation.

During Push-Button or Remote Start the engine will automatically set the choke and begin the start sequence. If the engine fails to start, the generator will attempt to start the engine two more times. The battery switch can be turned off at any time during the automatic start sequence to abort the engine start attempt.

If the cranking speed drops after each unsuccessful attempt, then the battery may not be adequately charged. See BATTERY MAINTENANCE section.

1. Verify that fuel is in the gas tank.
2. Turn the fuel selector switch to gasoline operation.
3. Turn the fuel valve to the ON position.



FUEL VALVE
VÁLVULA DE GASOLINA
SOUPAPE DE CARBURANT

4. Push the battery switch to the ON position.
5. Choose the starting method:
 - a. **Remote Start:** Push and hold the START button on the remote start key fob for one second.
 - b. **Push-Button Start:** Push and hold the engine START/STOP button for two seconds.

STOPPING THE ENGINE

1. Turn off and unplug all connected electrical loads.

IMPORTANT: Never start or stop the generator with electrical devices connected.

2. Let the generator run with no load for several minutes to stabilize internal temperatures of the engine.
3. Push and hold the START/STOP button for one second or push STOP on the remote start key fob for one second.

Note: Alternately, if the generator is used infrequently, turn the fuel tank valve to the OFF position to limit the residual fuel remaining in the system. The engine will stop when fuel in the carburetor and fuel line is exhausted.

4. Push the battery switch to the OFF position.

FREQUENCY OF USE

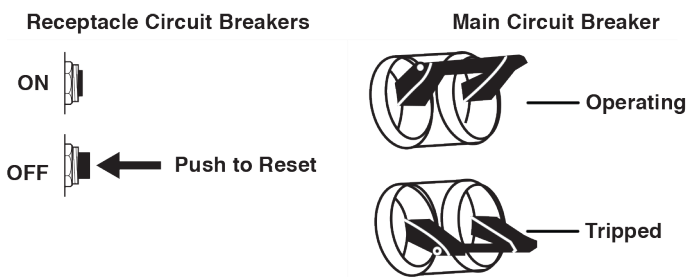
If the generator will be used on an infrequent or intermittent basis (more than one month before next use), refer to the Battery Maintenance and Storage sections of this manual for information regarding battery charging and fuel deterioration.

AC CIRCUIT BREAKERS

The circuit breakers will automatically switch OFF if there is a short circuit or a significant overload of the generator at each receptacle.

If an AC circuit breaker switches OFF automatically, check that the appliance is working correctly and it does not exceed the rated load capacity of the circuit before resetting the AC circuit breaker ON.

The main circuit breaker controls total output of all outlets to protect the generator from overload or short circuit.



GENERATOR CAPACITY

NOTICE

Do not overload the generator's capacity. Exceeding the generator's wattage/amperage capacity can damage the generator and/or electrical devices connected to it.

Make sure the generator can supply enough continuous (running) and surge (starting) watts for the items you will power at the same time.

The total power requirements (Volts x Amps = Watts) of all appliances connected must be considered. Appliance and power tool manufacturers usually list rating information near the model or serial number.

To determine power requirements:

1. Select the items you will power at the same time.
2. Total the continuous (running) watts of these items. This is the amount of power the generator must produce to keep the items running. See the wattage reference chart on the next page.
3. Estimate how many surge (starting) watts you will need. Surge wattage is the short burst of power needed to start electric motor-driven tools or appliances such as a circular saw or refrigerator. Because not all motors start at the same time, total surge watts can be estimated by adding only the item(s) with the highest additional surge watts to the total rated watts from step 2.

Example:

Tool or Appliance	Running Watts*	Starting Watts*
RV Air Conditioner (11,000 BTU)	1010	1600
TV (Tube Type)	300	0
RV Refrigerator	180	600
Radio	200	0
Light (75 Watts)	300	0
Coffee Maker	600	0
	2590 Total Running Watts*	1600 Highest Starting Watts*
	Total Running Watts	2590
	Highest Starting Watts	+ 1600
	Total Starting Watts Needed	4190

*Wattages listed are approximate. Verify actual wattage.

POWER MANAGEMENT

To prolong the life of the generator and attached devices, use care when adding electrical loads to the generator. There should be nothing connected to the generator outlets before starting the engine. The correct and safe way to manage generator power is to sequentially add loads as follows:

1. With nothing connected to the generator, start the engine as described in this manual.
2. Plug in and turn on the first load, preferably the largest load you have.
3. Permit the generator output to stabilize (engine runs smoothly and attached device operates properly).
4. Plug in and turn on the next load.
5. Again, permit the generator to stabilize.
6. Repeat steps 4 and 5 for each additional load.

OPERATION

Wattage Reference

Tool or Appliance	Estimated Running Watts*	Estimated Starting Watts*
Incandescent Lights (4 Quantity x 75 Watts)	300	0
TV (Tube Type)	300	0
Sump Pump (1/3 hp)	800	1300
Refrigerator or Freezer	700	2200
Well Pump (1/3 hp)	1000	2000
Furnace (1/2 hp)	800	2350
Radio	200	0
Drill (3/8", 4 amps)	440	600
Circular Saw (Heavy Duty, 7-1/4")	1400	2300
Miter Saw (10")	1800	1800
Table Saw (10")	2000	2000

*Wattages listed are approximate. Verify actual wattage.

EXTENSION CORDS

⚠ WARNING

Asphyxiation hazard. Extension cords running directly into the home increase the risk of carbon monoxide poisoning through any openings. If an extension cord running directly into your home is used to power indoor items, there is a risk of carbon monoxide poisoning to people inside the home. Always use battery-powered carbon monoxide detector (s) that meet current UL 2034 safety standards when running the generator. Regularly check the detector (s) battery.

⚠ WARNING

Asphyxiation hazard. When operating the generator with extension cords, make sure the generator is located in an open, outdoor area, far away from occupied spaces with exhaust pointed away.

⚠ WARNING

Fire and electrocution hazard. Never use worn or damaged extension cords. Damaged or overloaded extension cords could overheat, arc, and burn resulting in death or serious injury.

Before connecting an AC appliance or power cord to the generator:

- Use grounded 3-prong extension cords, tools, and appliances, or double-insulated tools and appliances.
- Make sure the tool or appliance is in good working order. Faulty appliances or power cords can create a potential for electric shock.
- Make sure the electrical rating of the tool or appliance

does not exceed the rated power of the generator or the receptacle being used.

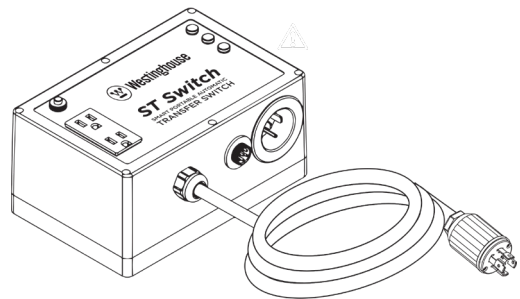
EXTENSION CORD SIZING

Only use grounded 3-prong extension cords marked for outdoor use that are rated for the electrical load.

Total Amperage	Minimum Gauge, Outdoor Rated	
	Up to 50 FT (15 M)	Up to 100 FT (30 M)
Up to 10A	12	8
Up to 15A	10	8
Up to 20A	10	6
Up to 30A	8	6
Up to 35A	6	6

ST SWITCH

The generator is compatible with the ST Switch, purchased separately. When utility power is on it will provide power (up to 120V @ 20A) to the appliances plugged into the 5-20R receptacle on the ST Switch. When utility power is lost the ST Switch automatically transfers input power from utility to generator power. When utility power is restored, the ST Switch transfers input power back to utility. Visit www.westinghouseoutdoorpower.com for more information.



TRANSPORTING

⚠ CAUTION

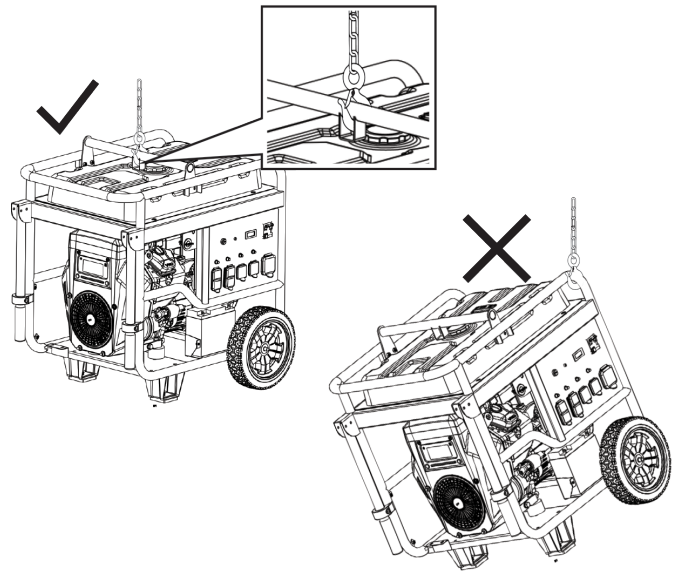
Weight hazard. Always have assistance when lifting the generator.

- Allow the generator to cool a minimum of 30 minutes before transporting.
- Replace all protective covers on the generator control panel.
- Keep the unit level during transport to minimize the possibility of fuel leakage or, if possible, drain the fuel or run the engine until the fuel tank is empty before transport.
- The generator wheels are only intended for hand transport. The wheels are not suitable for towing the generator either on or off-road.
- Use the extendable handle for hand transport. Only use the handle while the generator is OFF, stationary, and resting on a horizontal surface. Do not use the handle to lift the generator entirely off the ground, tow it, or up-end it.

⚠ CAUTION

Fire hazard. Do not up-end the generator or place it on its side. Fuel or oil can leak and damage to the generator may occur.

LIFTING HOOK



Only use the lifting hook to lift the unit or attach any load restraints such as ropes or tie-down straps. Do not attempt to lift or secure the generator by holding onto any of its other components.

Before lifting the generator, inspect the bracket and make sure it is securely fastened to the generator. Do not lift the generator unless the lifting bracket is securely fastened.

1. Hook a chain or strap through the eye on the lifting hook and make sure it is securely fastened.
2. Connect a suitable lifting device to the chain or strap. Inspect chain and hook for any damaged links or any defects that could cause failure. It is recommended to use hooks with safety latches installed.
3. Lift the generator slightly to ensure it is lifting straight and level.

MAINTENANCE

⚠ WARNING

Accidental start-up. Disconnect the spark plug boot from the spark plugs when performing maintenance on the generator.

MAINTENANCE SCHEDULE

Regular maintenance will improve performance and extend the service life of the generator. Follow the hourly or calendar intervals, whichever occurs first. More frequent service is required when operating in adverse conditions as noted below.

Before Each Use
Check engine oil Check air filter
After First 20 Hours or First Month
Change engine oil ¹
After 50 Hours or Every 3 Months
Clean air filter ²
After 100 Hours or Every 6 Months
Change engine oil ¹ Inspect/clean spark arrestor Inspect/clean spark plug Replace fuel filter Clean float bowl ³
After 300 Hours or Every Year
Replace spark plug Replace air filter Replace fine oil filter Inspect/adjust valve clearance ³
Every 2 years
Replace fuel pipe

¹ Change oil every month when operating under heavy load or in high temperatures.

² Clean more often under dirty or dusty conditions. Replace air filter if it cannot be adequately cleaned.

³ Recommend service to be performed by authorized Westinghouse service dealer.

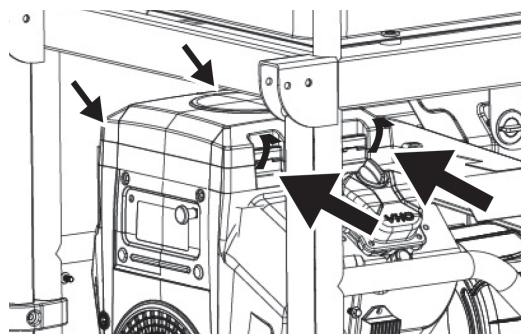
MAINTENANCE REPLACEMENT PARTS

Description	Part Number
Air filter	5061
Oil drain bolt crush washer	94242
Battery, 21 AH	511015
Fuel filter	516401
Spark plug	97108 (F7TC)

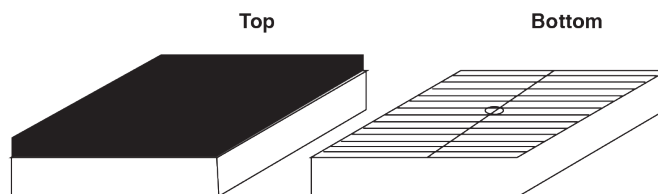
AIR FILTER MAINTENANCE

The air filter must be cleaned after every 50 hours of use or six months (frequency should be increased if the generator is operated in a dusty environment).

1. Place the generator on a level surface and allow the engine to cool for several minutes.
2. Release the four clips then remove the air filter cover.



3. Remove the air filter and clean using compressed air. DO NOT submerge the filter in liquids or add oil.
4. Install the air filter in the housing, making sure it is correctly oriented and seated in the housing.



5. Install the air cleaner cover and secure with the cover clips.

ENGINE OIL LEVEL CHECK

⚠ CAUTION

Avoid skin contact with engine oil. Wear protective clothing and equipment. Wash all exposed skin with soap and water.

NOTICE

Always use the specified engine oil. Failure to use the specified engine oil can cause accelerated wear and/or shorten the life of the engine.

When using the generator in dusty conditions or in extremely hot weather, change the oil more frequently.

Ambient air temperature will affect engine oil performance. Change the type of engine oil used based on weather conditions.

MAINTENANCE

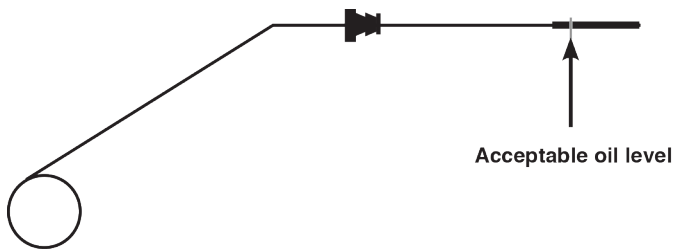
Recommended Engine Oil Type									
		10W-30							
	←	5W-30				10W-40	→		
	← 5W-30 Synthetic →								
°F	-20	0	20	40	60	80	100	120	
°C	-28.9	-17.8	-6.7	4.4	15.6	26.7	37.8	48.9	
	Ambient temperature								

Check the engine oil level before each use or every 8 hours of operation.

1. Place the generator on a level surface and allow the engine to cool for several minutes.
2. Remove the oil dipstick and wipe the dipstick clean.
3. Insert, then remove the oil dipstick.

Acceptable Oil Level – On the flat side of the dipstick, oil is visible up to the first notch.

Low Oil – Oil is below the first notch on the dipstick

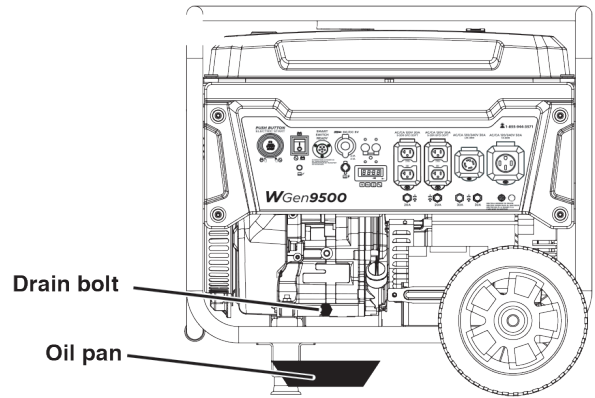


4. If low, remove the oil fill cap and add the recommended engine oil incrementally and recheck until the level is at the top notch on the dipstick. **DO NOT** overfill. If over the top notch on the dipstick, drain the oil to reduce the oil level to the full mark.
5. Replace the oil dipstick and oil fill cap.

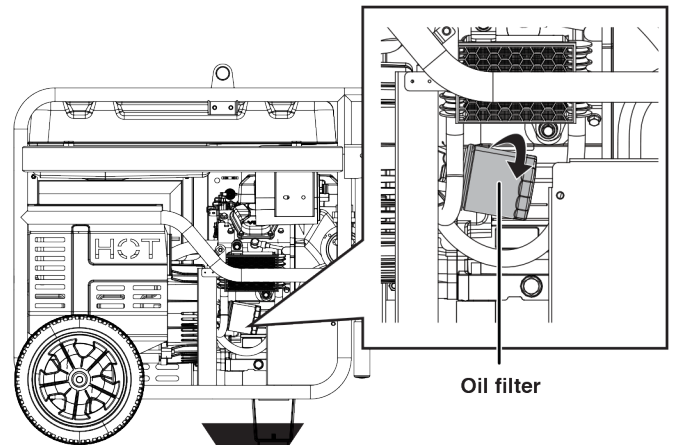
ENGINE OIL CHANGE

When using the generator in dusty conditions or extremely hot weather, change the oil more frequently. Change the oil while the engine is still warm from operation.

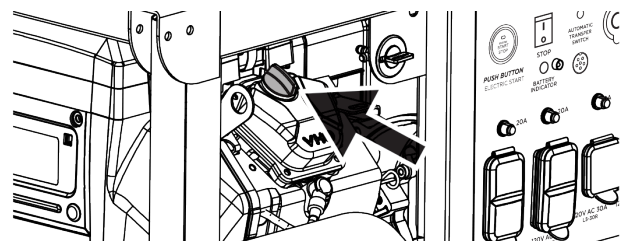
1. Place the generator on a level surface and allow the engine to cool for several minutes.
2. With a damp rag, clean around the oil fill cap. Remove the oil fill cap.
3. Place an oil pan (or suitable container) under the oil drain hose.



4. Unclip the oil drain hose and twist the cap counterclockwise to allow the oil to drain.
5. Twist the cap clockwise to close. Secure the hose in the hose clip.
6. Place the oil pan under the oil filter. Remove the oil filter by rotating it counterclockwise. Allow the oil to drain completely. Clean the area where the oil filter contacts the engine.



7. Apply clean oil to the rubber seal on the new oil filter. Install by hand, turning clockwise until the seal contacts the engine then turn another 3/4 turn. **DO NOT** overtighten.
8. Fill with the recommended oil. Stop frequently to check the oil level. Do not overfill. If the engine is overfilled, the excess oil may get transferred to the air cleaner housing and air filter. An indication of overfilling is white or blue smoke coming from the muffler when the engine is running.



Maximum oil capacity: 1.7 Quart (1.6 Liter)

MAINTENANCE

9. Install the oil dipstick. Screw in the oil fill cap securely.

NOTICE

Do not pollute. Follow the guidelines of the EPA or other governmental agencies for proper disposal of hazardous materials. Consult local authorities or reclamation facility.

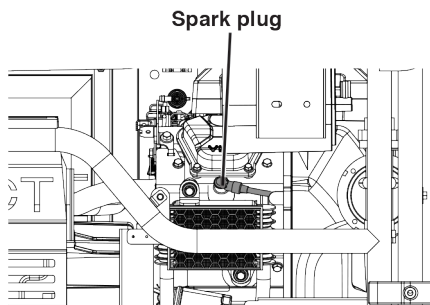
SPARK PLUG MAINTENANCE

NOTICE

Always use the Westinghouse OEM or compatible non-resistor-type spark plug. Use of resistor-type spark plug can result in rough idling, misfire, or may prevent the engine from starting.

Inspect and clean the spark plugs after every 100 hours of use or six months. Replace the spark plugs after 300 hours of use or every year.

1. Place the generator on a level surface and allow the engine to cool.
2. Remove the spark plug boots by firmly pulling the boot directly away from the engine.



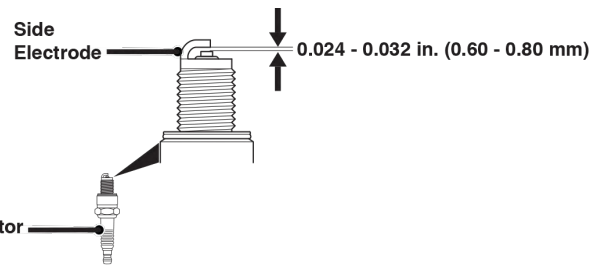
3. Clean the area around the spark plugs.
4. Remove the spark plugs with the included spark plug socket wrench.

NOTICE

Never apply any side load or move the spark plug laterally when removing the spark plug.

5. Inspect the spark plugs. Replace if electrodes are pitted, burned, or the insulator is cracked. Only use a recommended replacement plug.
6. Measure the spark plug electrode gap with a wire-type feeler gauge. If necessary, correct the gap by carefully bending the side electrode.

Spark plug gap: 0.024 – 0.032 in. (0.60 – 0.80 mm)

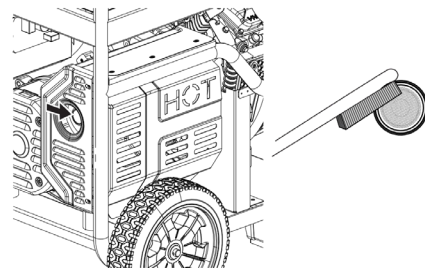


7. Carefully install each spark plug finger tight, then tighten as additional 3/8 to 1/2 turn with the spark plug wrench.
8. Attach the spark plug boots.

SPARK ARRESTOR SERVICE

Allow the muffler to cool completely before servicing the spark arrestor. Check and clean the spark arrestor after every 100 hours of use or six months. Failure to clean the spark arrestor will result in degraded engine performance.

1. Place the generator on a level surface.
2. Carefully remove the carbon deposits from the spark arrestor screen with a wire brush. The spark arrestor must be free of breaks and tears. Use compressed air to clear removed deposits.

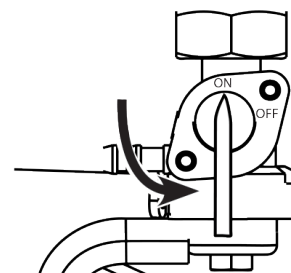


FUEL FILTER

Replace the fuel filter after 100 hours of use.

Note: Have an appropriate gasoline container and rags ready to catch residual fuel in the filter and fuel line.

1. Allow the generator to cool completely.
2. Turn the fuel valve to the OFF position.



3. Note the orientation of the fuel filter. Using pliers, remove the fuel line clamps and remove the fuel filter.
4. Install the new fuel filter in the reverse order of removal.

MAINTENANCE

BATTERY MAINTENANCE

⚠ WARNING

The battery gives off explosive hydrogen gas during normal operation. A spark or flame can cause the battery to explode with enough force to kill or seriously hurt you. Wear protective clothing and a face shield, or have a skilled technician perform battery maintenance.

⚠ WARNING

Burn hazard. The battery contains sulfuric acid (electrolyte) which is highly corrosive and poisonous. Wear protective clothing and eye protection when working near the battery. Keep children away from the battery.

⚠ WARNING

NEVER smoke or work near sparks or other sources of ignition. NEVER touch both battery terminals at the same time with your hand or any non-insulated tools. If battery acid contacts skin or clothing, flush immediately with water and neutralize with baking soda.

The battery shipped with the generator has been fully charged. A battery may lose some charge when not in use for prolonged periods of time.

Note: Once started, the generator will charge the battery after 30–60 minutes of use.

When the generator is not running, the included trickle charger can remain connected and will maintain the battery for an indefinite period of time. A red light on the charger indicates charging in progress. A green light indicates charging complete. Charge in a dry location.

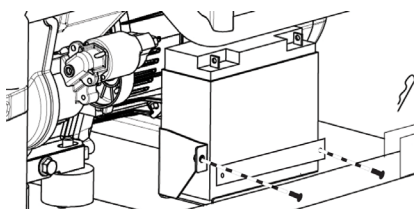
1. Plug the charger into the battery charging port on the control panel.
2. Plug the wall receptacle end of the battery charger into a 120 Volt AC wall outlet.

BATTERY REPLACEMENT

⚠ CAUTION

Battery posts, terminals contain lead and lead compounds. Wash hands after handling.

1. Remove the two battery plate bolts and battery plate. Tilt the battery forward and remove.



2. Disconnect the negative (-) cable (black boot) from the negative (-) battery post.
3. Disconnect the positive (+) battery cable (red boot) from the positive (+) battery post.

NOTICE

Always connect the cables in the following sequence to avoid possible shock.

4. On the replacement battery, connect the positive (+) battery cable (red boot) to the battery positive (+) terminal. Secure the boot over the battery post.
5. Connect the negative (-) battery cable (black boot) to the negative (-) positive terminal. Secure the boot over the battery post.
6. Install the battery in the battery tray. Install the battery plate and bolts. Tighten the bolts securely.

NOTICE

Dispose of the used battery properly according to the guidelines established by your local or state government.

STORAGE

Proper storage preparation is required for trouble-free operation and generator longevity.

NOTICE

Gasoline stored for as little as 30 days can deteriorate, causing gum, varnish, and corrosive buildup in fuel lines, fuel passages, and the engine. This corrosive buildup restricts the flow of fuel, which can prevent the engine from starting after a prolonged storage period. The use of fuel stabilizer significantly increases the storage life of gasoline. Full-time use of fuel stabilizer is recommended. Follow the manufacturer's instructions for use.

STORAGE TIME	RECOMMENDED PROCEDURE
Less than 1 month	No service required.
2 to 6 months	Fill with fresh gasoline and add gasoline stabilizer. Drain the carburetor float bowl.
6 months or longer	Drain the fuel tank and carburetor float bowl.

SHORT TERM STORAGE

- Allow the generator to cool a minimum of 30 minutes before storage.
- If operating on propane, turn the propane tank valve to the fully closed position and disconnect the LPG/propane hose from the generator and propane tank.
- Replace all protective covers on the generator control panel.

MAINTENANCE

- Wipe the generator with a moist cloth. Clean any debris from the muffler cooling vents.
- Store the generator in a well-ventilated, dry location away from sparks, open flames, pilot lights, heat, and other sources of ignition such as areas with a spark-producing electric motor or where power tools are operated.
- Do not store the generator, gasoline, or propane tanks near furnaces, water heaters, or any other appliances that produce heat or have automatic ignitions.
- With the engine and exhaust system cool and all surfaces dry, cover the generator to keep out dust. Do not use a plastic sheet as a dust cover. Non-porous materials trap moisture and promote rust and corrosion.

LONG TERM STORAGE

Even properly stabilized fuel can leave residue and cause corrosion if left long term. If storing the generator for over six months, drain the fuel tank.

DRAINING THE FUEL TANK

If storing the generator for longer than six months, drain the fuel tank to prevent fuel separation, deterioration, and deposits in the fuel system.

1. Unscrew the fuel tank cap. Remove the fuel screen filter by slightly compressing it while removing it from the tank.
2. Using a commercially available gasoline hand pump (not included), siphon the gasoline from the fuel tank into an approved gasoline container. **DO NOT** use an electric pump.
OR
Disconnect the fuel line from the bottom of the fuel tank and allow the fuel to drain into an approved gasoline container. Reinstall the fuel line.
3. Reinstall the fuel screen filter and the fuel tank cap.
4. Start the generator and allow it to run until the generator engine stops.
5. Push the battery switch to the OFF position.
6. Disconnect the battery.

VALVE CLEARANCE

NOTICE

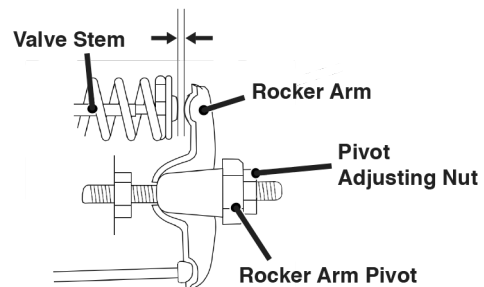
Checking and adjusting valve clearance must be done when the engine is cold.

Perform this procedure on both cylinders.

1. Remove the rocker arm cover and carefully remove the gasket. If the gasket is torn or damaged, it must be replaced.
2. Remove the spark plug so the engine can be rotated

more easily.

3. Rotate the engine to Top Dead Center (TDC) by momentarily pushing the Start button. Looking through the spark plug hole, the piston should be at the top (both valves are closed).
4. Both the rocker arms should be loose at TDC on the compression stroke. If they are not, rotate the engine 360°.
5. Insert a feeler gauge between the rocker arm and the valve stem to measure valve clearance.



	Intake Valve	Exhaust Valve
Valve Clearance	0.0031 – 0.0047 in (0.08 – 0.12 mm)	0.0051 – 0.0067 in (0.13 – 0.17 mm)
Torque	8-12 N•m	8-12 N•m

6. If an adjustment is necessary, hold the rocker arm pivot and loosen the pivot adjusting nut.
 7. Turn the rocker arm pivot to obtain the specified clearance. Hold the rocker arm pivot and re-tighten the pivot adjusting nut to the specified torque.
- Torque: 106 inch-pound (12 N•m)**
8. Perform this procedure for the other valve.
 9. Install the gasket, rocker arm cover, and spark plug.

TROUBLESHOOTING

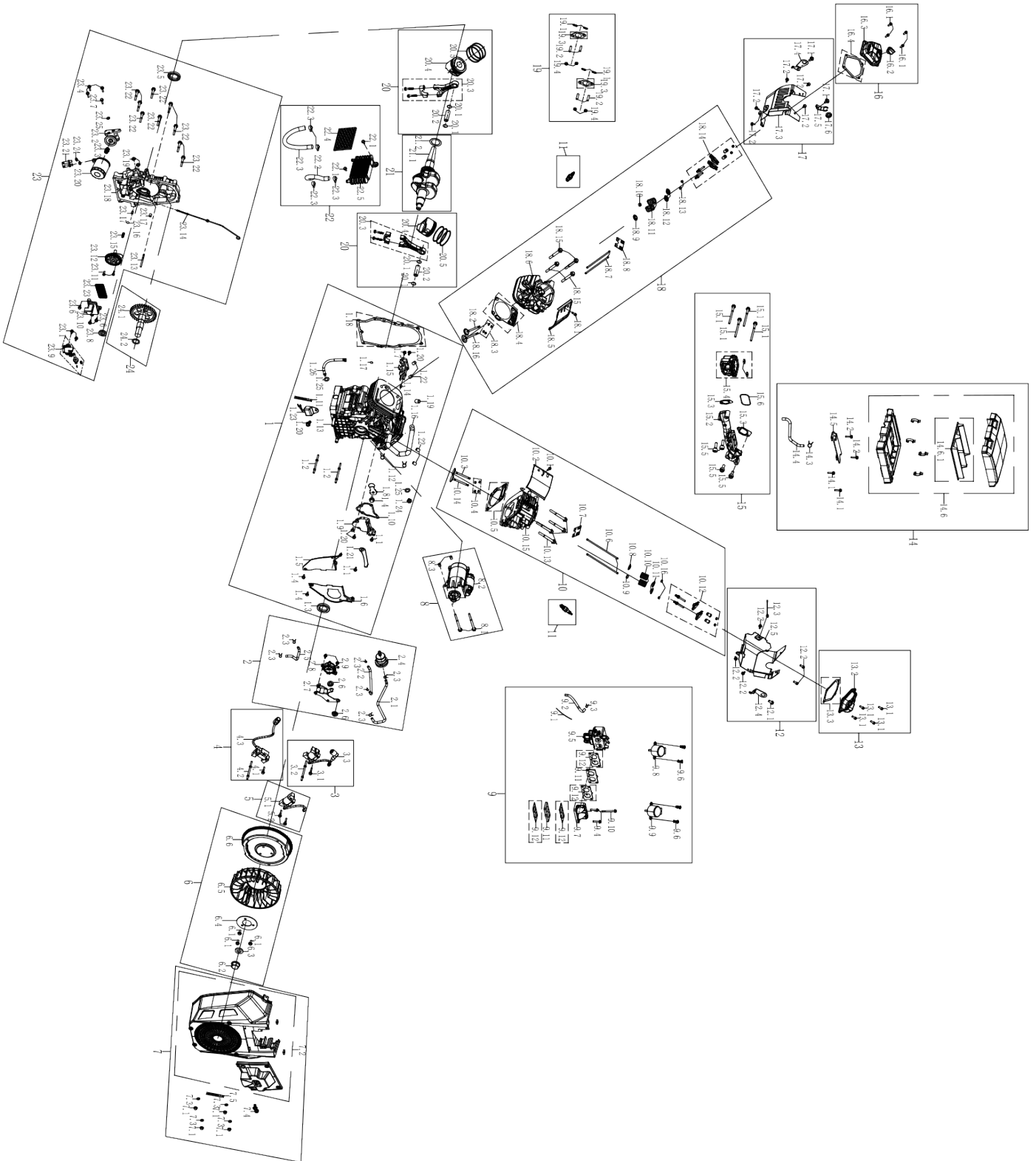
TROUBLESHOOTING

PROBLEM	POSSIBLE CAUSE	CORRECTION
Engine will not start	Battery switch in the OFF position.	Turn battery switch to the ON position.
	Out of fuel.	Refuel.
	Bad fuel, generator stored without treating or draining gasoline, or refueled with bad gasoline.	Drain the fuel tank. Refuel with fresh gasoline.
	Dirty air filter.	Clean the air filter.
	Low engine oil level stopped generator.	If low oil LED illuminated, turn battery switch to the OFF position. Add engine oil.
	Spark plug wet with fuel (flooded engine).	Wait five minutes. Turn battery switch to the OFF position. Pull recoil handle rapidly several times. If the generator does not start, remove spark plug and dry.
	Spark plug faulty, fouled, or improperly gapped.	Gap or replace the spark plug. Reinstall.
	Fuel filter restricted, fuel system malfunction, fuel pump failure, ignition malfunction, valves stuck, etc.	Contact Westinghouse customer service toll-free at 1 (855) 944-3571.
	Battery drained.	Use the recoil handle to start the generator. Charge the battery.
	Choke partially open or closed due to weak or disconnected battery.	Manually set the choke. See Maintenance section.
Engine starts, then shuts down	Out of fuel.	Refuel.
	Incorrect engine oil level.	Check engine oil level.
	Dirty air filter.	Clean the air filter.
	Contaminated fuel.	Drain the fuel tank. Refuel with fresh gasoline.
	Defective low oil level switch.	Contact Westinghouse customer service toll-free at 1 (855) 944-3571.
Engine lacks power	Air filter restricted.	Clean or replace air filter.
	Bad fuel, generator stored without treating or draining gasoline, or refueled with bad gasoline.	Drain the fuel tank. Refuel with fresh gasoline.
	Fuel filter restricted, fuel system malfunction, fuel pump failure, ignition malfunction, valves stuck, etc.	Contact Westinghouse customer service toll-free at 1 (855) 944-3571.
Engine runs rough or bogs when load applied	Dirty air filter.	Clean the air filter.
	Generator overloaded.	Unplug some devices.
	Faulty power tool or appliance.	Replace or repair tool or appliance. Stop and restart the engine.
	Fuel filter restricted, fuel system malfunction, fuel pump failure, ignition malfunction, valves stuck, etc.	Contact Westinghouse customer service toll-free at 1 (855) 944-3571.
No power at AC receptacles	OUTPUT READY LED is OFF and OVERLOAD LED is ON.	Check AC load. Stop and restart engine. Check the air inlet. Stop and restart the engine.
	AC circuit breaker/s tripped.	Check AC loads and reset circuit breaker/s.
	Faulty power tool or appliance.	Replace or repair tool or appliance. Stop and restart the engine.
	Faulty generator.	Contact Westinghouse customer service toll-free at 1 (855) 944-3571.

EXPLODED VIEW

EXPLODED VIEWS AND PARTS LISTS

ENGINE EXPLODED VIEW



EXPLODED VIEW

ENGINE PARTS LIST

NO.	PART #	DESCRIPTION
1	50120038	CRANKCASE ASSEMBLY
1.1	91371	BOLT M6X35
1.2	91043	BOLT M6X113
1.3	93530	CRANKSHAFT OIL SEAL
1.4	91365	BOLT M6X12
1.5	320503	LEFT WINDSHIELD
1.6	320504	RIGHT WINDSHIELD
1.7	91374	BOLT M6X22
1.8	320602	BREATHER VALVE ASSEMBLY
1.9	320600	BREATHING VALVE COVER
1.10	96133	BREATHING VALVE GASKET
1.11	599601	METAL CLAMP
1.12	94419	FUEL HOSE CLIP 16.5x2
1.13	320206	CRANKCASE
1.14	240904	LOCATING PIN 8X12
1.15	329902	ROCKER ARM SUPPORT BASE ASSEMBLY
1.16	95618	BLAST PIPE
1.17	94033	SEALING RING
1.18	96296	CRANKCASE COVER GASKET
1.19	327001	PLUG
1.20	91370	BOLT M6X16
1.21	329900	CRIMPING BOARD
1.22	260901	LOCATING PIN
1.23	325101	OIL PROTECTOR
1.24	91832	BOLT M14X1.5X12
1.25	94242	FLAT WASHER
1.26	91887	OIL DRAIN SOLENOID
2	50690002	PETROL PUMP ASSEMBLY
2.1	95545	GASOLINE PUMP INLET PIPE
2.2	95462	GASOLINE PUMP OUTLET PIPE
2.3	94423	FUEL HOSE CLIP 9
2.4	516401	FILTER
2.5	95463	GASOLINE PUMP NEGATIVE PRESSURE PIPE
2.6	94418	PROTECTIVE SLEEVE
2.7	369904	GASOLINE PUMP BRACKET
2.8	329914	PETROL PUMP
2.9	91370	BOLT M6X16
3	50100029	RIGHT IGNITER ASSEMBLY
3.1	91383	BOLT M6X28
3.2	91043	BOLT M6X113
3.3	97540	RIGHT IGNITER
4	50100028	LEFT IGNITER ASSEMBLY
4.1	91383	BOLT M6X28
4.2	91043	BOLT M6X113
4.3	97539	LEFT IGNITER
5	50680002	CHARGING COIL ASSEMBLY

NO.	PART #	DESCRIPTION
5.1	97212	CHARGING COIL
5.2	91371	BOLT M6X35
6	50180019	FLYWHEEL ASSEMBLY
6.1	91385	BOLT M8X16
6.2	90041	NUT M20
6.3	94030	FLAT WASHER
6.4	329913	IMPELLER PRESSURE PLATE
6.5	324600	IMPELLER
6.6	320400	FLYWHEEL ASSEMBLY
7	50090060	WIND-LEAD COVER ASSEMBLY
7.1	90043	NUT M6
7.2	324700	RECOIL COVER ASSEMBLY
7.3	94260	FLAT WASHER
7.4	91370	BOLT M6X16
7.5	599601	METAL CLAMP
8	50260011	STARTER MOTOR ASSEMBLY
8.1	91378	BOLT M8X110
8.2	97414	STARTER ALTERNATOR
8.3	240904	LOCATING PIN 8X12
9	50040084	CARBURETOR ASSEMBLY
9.1	319901	CARBURETOR SOLENOID VALVE LINE
9.2	95464	CARBURETOR OVERFLOW PIPE
9.3	94402	FUEL HOSE CLIP 8.5
9.4	91383	BOLT M6X28
9.5	322803	DOUBLE CHAMBER CARBURETOR
9.6	92239	BOLT M3*8
9.7	95906	CARBURETOR CONNECTION ELBOW
9.8	329929	STEPPER MOTOR
9.9	329924	STEPPER MOTOR
9.10	91425	BOLT M6X65
9.11	96141	CARBURETOR HEAT SHIELD
9.12	96137	CARBURETOR GASKET
10	50020053	CYLINDER HEAD ASSEMBLY
10.1	91365	BOLT M6X12
10.2	320507	WIND-LEAD-COVER
10.3	261702	INTAKE VALVE
10.4	260802	VALVE LOCK CLAMP
10.5	96135	INTAKE WASHER
10.6	321900	PUSH ROD
10.7	322201	LIMIT PLATE ASSEMBLY
10.8	261807	INTAKE VALVE SPRING LOWER SEAT
10.9	93513	VALVE SEAL
10.10	326000	VALVE SPRING
10.11	261805	VALVE SPRING SEAT
10.12	322100	ROCKER ARM ASSEMBLY
10.13	91380	BOLT M10X80
10.14	265903	INTAKE VALVE

EXPLODED VIEW

ENGINE PARTS LIST CONTINUED

NO.	PART #	DESCRIPTION
10.15	321003	RIGHT CYLINDER HEAD ASSEMBLY
10.16	261806	TOP CAP
11	97112	SPARK PLUG
12	50130015	WIND LEAD COVER ASSEMBLY
12.1	91385	BOLT M8X16
12.2	91365	BOLT M6X12
12.3	325801	TEMPERATURE SENSOR
12.4	329901	LIFTING EAR
12.5	320501	RIGHT CYLINDER HEAD AIR DEFLECTOR
13	50010033	CYLINDER HEAD COVER ASSEMBLY
13.1	91365	BOLT M6X12
13.2	321101	RIGHT CYLINDER HEAD COVER
13.3	96136	CYLINDER HEAD COVER GASKET
14	50030058	AIR CLEANER ASSEMBLY
14.1	91371	BOLT M6X35
14.2	91383	BOLT M6X28
14.3	94402	FUEL HOSE CLIP 8.5
14.4	95117	CARBON CANISTER AND AIR FILTER CONNECTING PIPE
14.5	323000	AIR FILTER PRESSURE PLATE
14.6	322902	AIR CLEANER ASSEMBLY
14.6.1	5061	AIR CLEANER ELEMENT
15	50700001	AIR FILTER CONNECTING PIPE ASSEMBLY
15.1	91377	BOLT M6X95
15.2	95907	DUAL CHAMBER INTAKE PIPE
15.3	96139	INTAKE PIPE GASKET
15.4	95905	AIR FILTER CONNECTING PIPE
15.5	92048	SCREW M8X50
15.6	96138	AIR FILTER CONNECTING PIPE GASKET
16	50010034	CYLINDER HEAD COVER ASSEMBLY
16.1	91365	BOLT M6X12
16.2	321400	OIL PLUG
16.3	321100	LEFT CYLINDER HEAD COVER
16.4	96136	CYLINDER HEAD COVER GASKET
17	50130017	WIND LEAD COVER ASSEMBLY
17.1	91385	BOLT M8X16
17.2	91365	BOLT M6X12
17.3	320500	LEFT CYLINDER HEAD AIR DEFLECTOR
17.4	329901	LIFTING EAR
17.5	329922	TUBING BRACKET
17.6	94418	PROTECTIVE SLEEVE
18	50020054	CYLINDER HEAD ASSEMBLY
18.1	91365	BOLT M6X12
18.2	261702	INTAKE VALVE
18.3	260802	VALVE LOCK CLAMP
18.4	96135	INTAKE WASHER

NO.	PART #	DESCRIPTION
18.5	320502	WIND-LEAD-COVER
18.6	321002	LEFT CYLINDER HEAD ASSEMBLY
18.7	321900	PUSH ROD
18.8	322201	LIMIT PLATE ASSEMBLY
18.9	261807	INTAKE VALVE SPRING LOWER SEAT
18.10	93513	VALVE SEAL
18.11	326000	VALVE SPRING
18.12	261805	VALVE SPRING SEAT
18.13	261806	TOP CAP
18.14	322100	ROCKER ARM ASSEMBLY
18.15	91380	BOLT M10X80
18.16	265903	INTAKE VALVE
19	50600003	SEAL WASHER ASSEMBLY
19.1	94206	SPRING WASHER
19.2	91007	BOLT M8X38
19.3	96140	EXHAUST GASKET
19.4	90011	NUT M8
20	50050023	PISTON & PISTON RING ASSEMBLY
20.1	241301	PISTON PIN RING
20.2	325500	PISTON PIN
20.3	321500	CONNECTING ROD ASSEMBLY
20.4	321200	PISTON
20.5	321602	PISTON RING COMBINATION
21	50190004	CRANKSHAFT ASSEMBLY
21.1	320300	CRANKSHAFT
21.2	94031	FLAT WASHER
22	50710001	HEAT SINK ASSEMBLY
22.1	91383	BOLT M6X28
22.2	95465	RADIATOR CONNECTING OIL PIPE
22.3	94421	FUEL HOSE CLIP 16x12x1
22.4	329911	RADIATOR MOUNTING BRACKET
22.5	329912	RADIATOR ASSEMBLY
23	50200040	CRANKCASE COVER ASSEMBLY
23.1	91371	BOLT M6X35
23.2	329909	OIL FILTER SEAT
23.3	91833	OIL FILTER CONNECTING SOLENOID
23.4	91383	BOLT M6X28
23.5	93530	CRANKSHAFT OIL SEAL
23.6	91331	BOLT M6X25
23.7	91342	BOLT M8*12
23.8	93023	BEARING
23.9	325100	OIL SENSOR
23.10	329907	OIL FILTER COVER
23.11	92047	SCREW M6X16
23.12	329903	OIL PUMP ASSEMBLY
23.13	324301	CENTRIFUGAL GOVERNOR GEAR ASSEMBLY

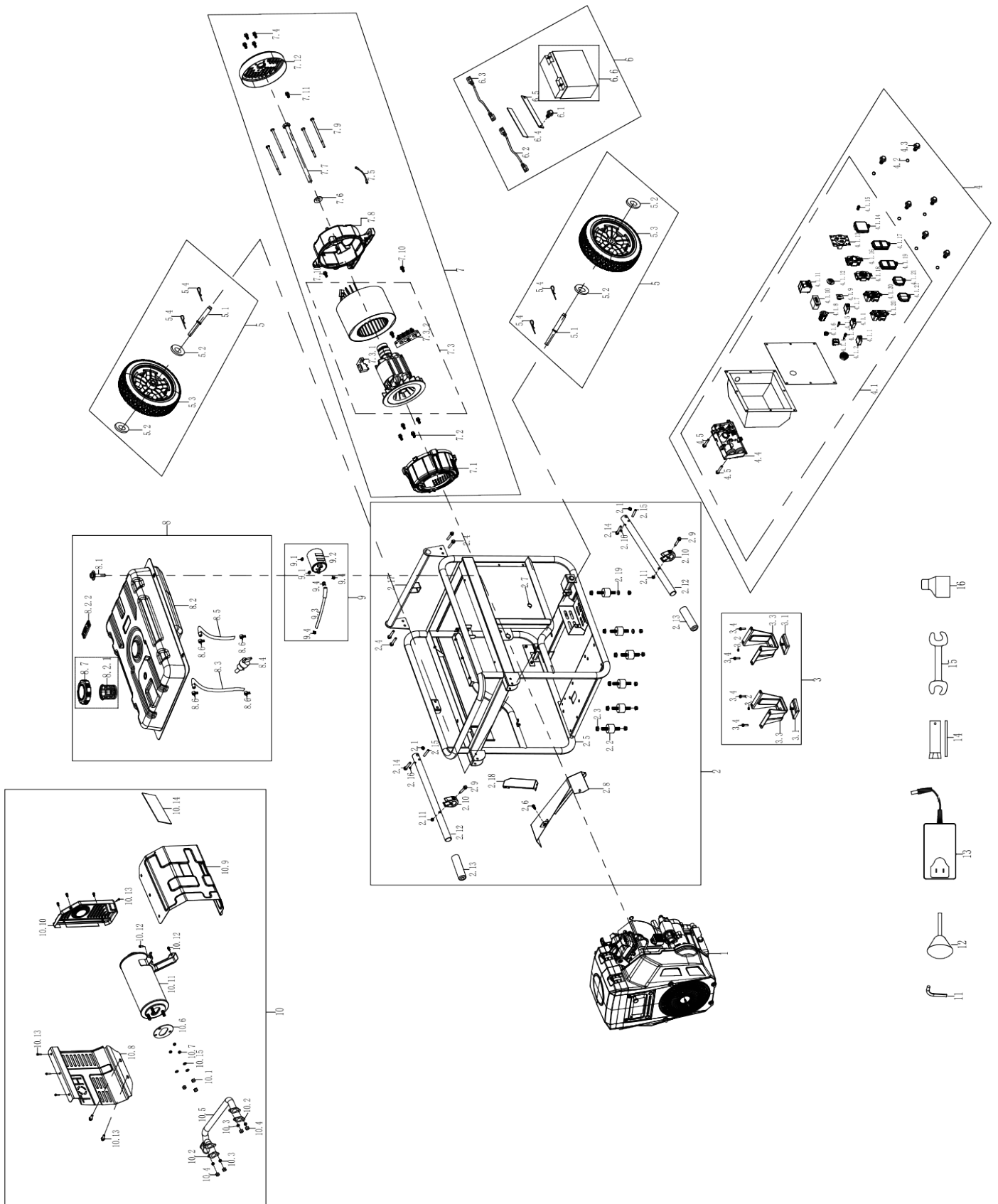
EXPLODED VIEW

ENGINE PARTS LIST CONTINUED

NO.	PART #	DESCRIPTION
23.14	325600	DIPSTICK ASSEMBLY
23.15	329904	PRESSURE RELIEF VALVE SPRING
23.16	329905	STEEL BALL
23.17	320900	LOCATING PIN
23.18	320101	CRANKCASE COVER
23.19	94085	O-SHAPE SEAL RING
23.20	329908	OIL FILTER
23.21	91834	OIL FILTER SEAT CONNECTION PIPE
23.22	91379	BOLT M8X50
23.23	329906	OIL FILTER
23.24	94241	FLAT WASHER 10.2X17X1
23.25	94257	FLAT WASHER 8x16x1.5
24	50150012	ALTERNATOR ASSEMBLY
24.1	322000	CAMSHAFT ASSEMBLY
24.2	94032	FLAT WASHER

EXPLODED VIEW

GENERATOR EXPLODED VIEW



EXPLODED VIEW

GENERATOR PARTS LIST

NO.	PART #	DESCRIPTION
1	1148720120039	ENGINE DHT720E
2	60070032	FRAME ASSEMBLY
2.1	90026	SELF-LOCKING NUTS
2.2	501041	DAMPING SUPPORT B
2.3	90075	NUT M10*1.5
2.4	91343	BOLT M8*16
2.5	770022-116	FRAME
2.6	91345	BOLT M8*20
2.7	518403	OIL SWITCH SEAT
2.8	501131	AIR DUCT WELDING PARTS
2.9	91339	BOLT M6*50
2.10	528606	GLUE CARD
2.11	90016	NUT M6
2.12	526614-116	HANDLE
2.13	528501	HANDLE GUM COVER
2.14	91363	BOLT M8*50
2.15	527406	HANDLE PIN
2.16	527401	HANDLE DAMPING RUBBER PAD
2.17	533604-116	LIFTING BRACKET
2.18	535602-116	INSULATION BOARD
2.19	94224	CRANKSHAFT FLAT WASHER 10*30*2
3	60150031	FOOT BRACKET ASSEMBLY
3.1	531905	FOOT BRACKET SHOCK ABSORBER
3.2	90026	SELF-LOCKING NUTS
3.3	525905-116	FOOT BRACKET ASSEMBLY
3.4	91343	BOLT M8*16
4	60040047	CONTROL PANEL ASSEMBLY
4.1	715531	PANEL ASSEMBLY
4.1.1	6439-20	22A THERMAL PROTECTOR
4.1.2	536002	SWITCH
4.1.3	6393	INDICATOR LIGHT
4.1.4	6502	SWITCH
4.1.5	6387	SOCKET
4.1.6	6685	SWITCH
4.1.7	6439-30	22A THERMAL PROTECTOR
4.1.8	6796	SOCKET
4.1.9	6436-30	BREAKER
4.1.10	6041	DIGITAL DISPLAY
4.1.11	6513-50	BREAKER
4.1.12	6488	AVIATION SOCKET
4.1.13	6254	SOCKET
4.1.14	6850	WATERPROOF CAP
4.1.15	6386	GROUND BOLT ASSEMBLY

NO.	PART #	DESCRIPTION
4.1.16	6385	SOCKET
4.1.17	6848	WATERPROOF CAP
4.1.18	6383	L5-30R RECEPTACLE
4.1.19	6847	WATERPROOF CAP
4.1.20	6275	GFCI SOCKET
4.1.21	6845	WATERPROOF CAP
4.2	96120	PAPER WASHER
4.3	91327	BOLT M6*12
4.4	534905	AVR VOLTAGE REGULATOR
4.5	91306	BOLT M6X25
5	60060032	WHEEL ASSEMBLY
5.1	501137	CASTER SHAFT ASSEMBLY
5.2	94213	FLAT WASHER
5.3	523623	WHEEL
5.4	548302	COTTER PIN
6	50200013	BATTERY KIT
6.1	91327	BOLT M6*12
6.2	512042	BATTERY POSITIVE WIRE
6.3	512015	BATTERY NEGATIVE WIRE
6.4	599702	GLUE STRIP
6.5	501135-116	BATTERY LAYER
6.6	511015	BATTERY
7	60140045	ALTERNATOR ASSEMBLY
7.1	533602	MOTOR FRONT COVER
7.2	91354	BOLT M10x1.25
7.3	750009	ROTOR STATOR ASSEMBLY THE MOTOR ASSEMBLY
7.3.1	6186	CARBON BRUSH
7.3.2	6188	TERMINAL
7.4	91325	BOLT M6X12
7.5	544612	GROUNDING WIRE
7.6	96813	FLAT WASHER
7.7	91725	BOLT M10*1.25*295
7.8	533603	BACK SUPPORT
7.9	91623	BOLT M8*1.25*215
7.10	91323	BOLT M5X16
7.11	91322	BOLT M5*12
7.12	533304-221	ALTERNATOR TAIL COVER
8	60010043	FUEL TANK ASSEMBLY
8.1	91461	BOLT M6*25
8.2	700905L-116	FUEL TANK ASSEMBLY
8.2.1	518801	FUEL TANK FILTER
8.2.2	6668	FUEL GAUGE
8.3	95488L	FUEL HOSE CLIP 12.5x6.2X430MM

GENERATOR PARTS LIST CONTINUED

NO.	PART #	DESCRIPTION
8.4	518401	FUEL SWITCH
8.5	95729L	FUEL HOSE
8.6	94412	FUEL HOSE CLIP
8.7	519215	FUEL CAP
9	60570006	CARBON CANISTER ASSEMBLY
9.1	91327	BOLT M6*12
9.2	543603L	CARBON CANISTER
9.3	95121	CARBON CANISTER AND FUEL TANK CONNECTING PIPE
9.4	503034	FUEL HOSE CLIP 9.5*0.8
10	60030034	MUFFLER ASSEMBLY
10.1	90075	NUT M10*1.5
10.2	96140	EXHAUST GASKET
10.3	94206	SPRING WASHER 8
10.4	90011	NUT M8
10.5	95214	MUFFLER CONNECTING PIPE
10.6	96149	MUFFLER CONNECTING PIPE GASKET
10.7	94201	SPRING WASHER 10
10.8	515902	EXHAUST MUFFLER GUARD COVER A
10.9		EXHAUST MUFFLER GUARD COVER B
10.10		EXHAUST MUFFLER GUARD COVER C
10.11	705004	MUFFLER
10.12	91345	BOLT M8*20
10.13	91327	BOLT M6*12
10.14	501139	HIGH TEMPERATURE INSULATION COTTON
10.15	94214	FLAT WASHER 10.3x20.6x1.65
11	94432	NYLON BRAIDED TUBE
12	99509	FUNNEL
13	511043	CHARGER
14	99012	SPARK PLUG SLEEVE
15	99025	WRENCH
16	99576	OIL BOTTLE

SCHEMATICS

SCHEMATICS

