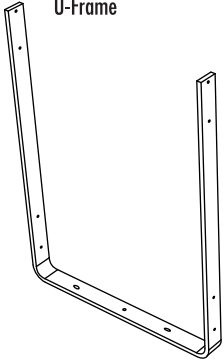
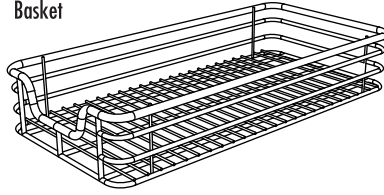


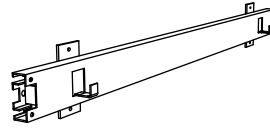
Ax2
U-Frame



Bx2
Basket



Cx2
Left Bracket



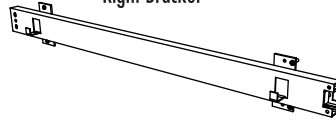
Dx16
Screw



Ex6
Wood Screw



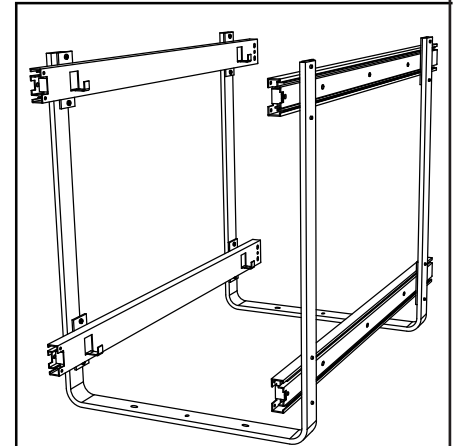
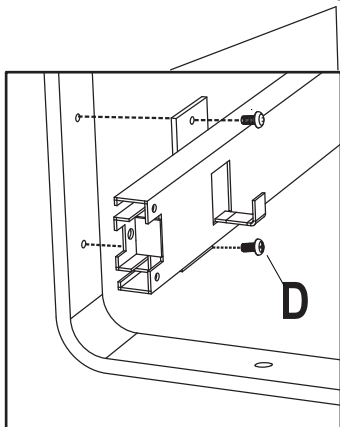
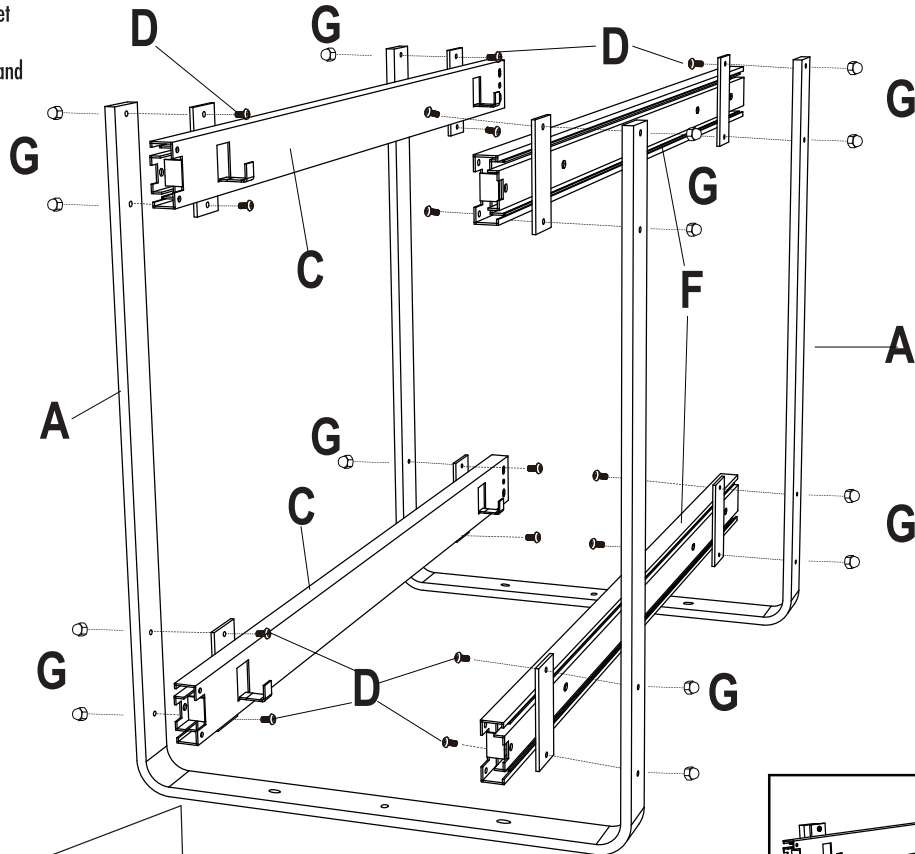
Fx2
Right Bracket



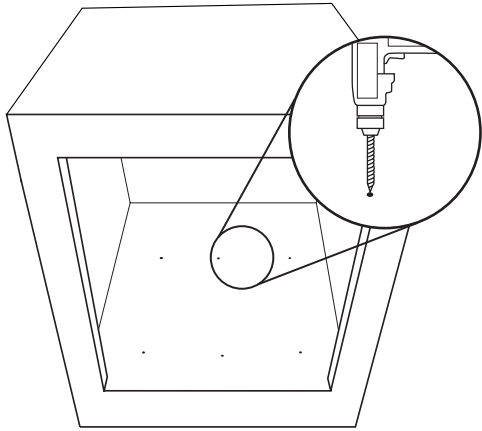
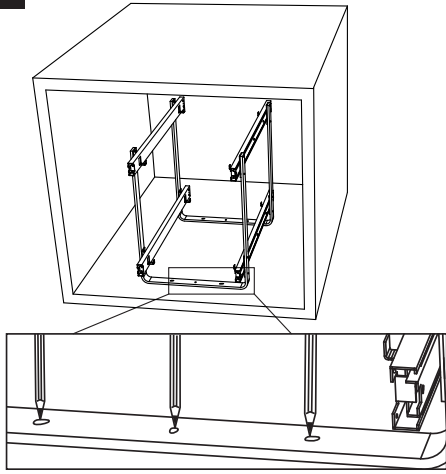
Gx16
Acorn Nut



- 1**
- Special Note:** If the basket will not clear the cabinet's lip, (1) put washers (available at any local hardware store) under the glides and screw through the glides and washers and into the cabinet floor, OR (2) attach wood blocks to the cabinet floor and attach glides to the wood blocks.
- Assemble the frame.** Attach the glides (C) to the U-frames (A) using screws (D), screwing from the glide toward the frame. Cap the screw end with an acorn nut (G). Note: Make sure the glides are oriented so that their attached hooks are facing inward and upward and ready to hold the basket.



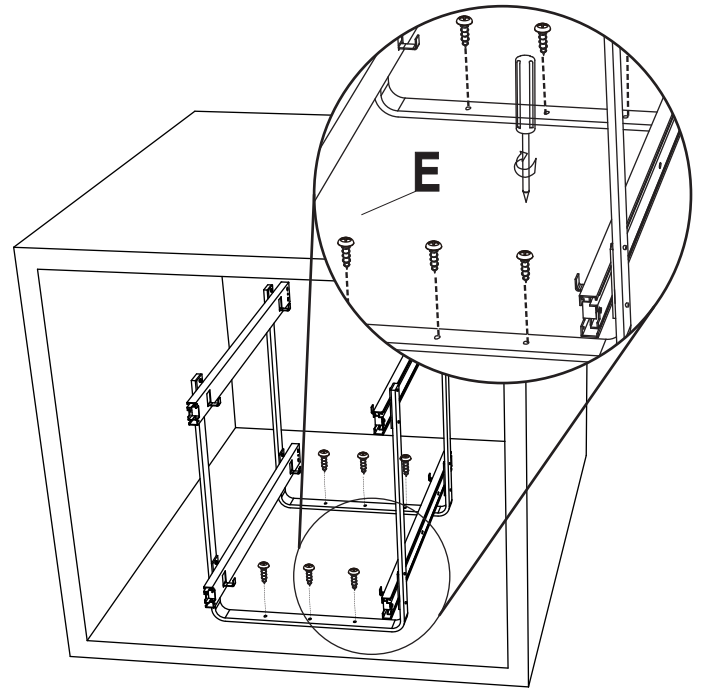
2

**Install the frame.**

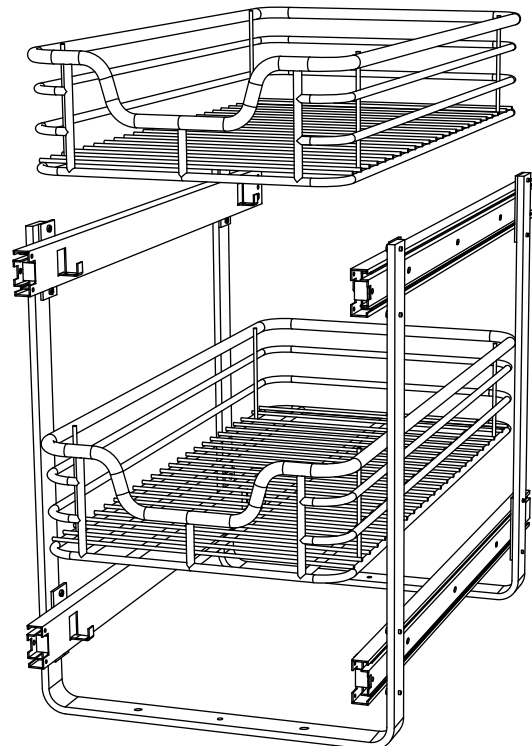
Place the organizer frame in your cabinet and center it, making sure slides are parallel to the sides of the cabinet.

Mark the location of the holes in the U-frames (A) on the cabinet floor, and then remove the frame. Drill pilot holes in the cabinet floor at the marked locations. Return the organizer frame to the cabinet and align holes.

Screw the organizer frame to the cabinet floor with screws (E) until screws are flush with frame.

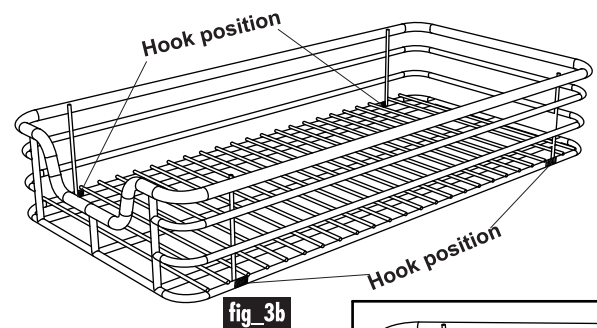


3

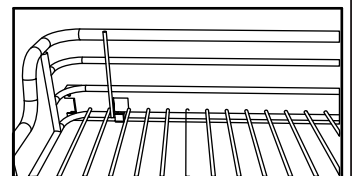
**Insert baskets.**

Extend the lower glide.

Set the basket on the glides so that the hooks sit just inside the thin vertical poles on the sides of the basket (see hook position on figure_3b). Note: If a basket is not level, check to see that it is in contact with all hooks. Some hooks may need to be adjusted by carefully bending the hooks outward or inward to accommodate. Repeat with upper glides and remaining basket.



fig_3b



household
essentials® 

Memphis, TN
Made in China