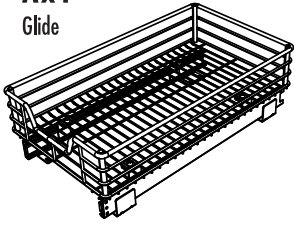
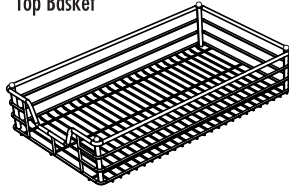


Identify parts before assembling.

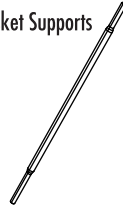
A x 1
Glide



B x 1
Top Basket



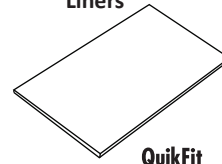
C x 4
Basket Supports



D x 8
Screws



E x 2
Liners

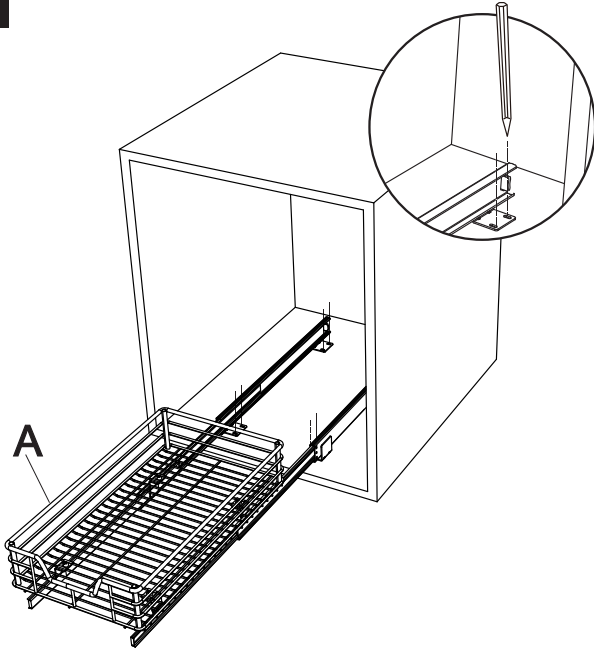


HH62727-1
HH61724-1

QuikFit

Mark the location of the holes in the slides. Drill pilot holes in the cabinet floor at the marked location. Screw glides to cabinet floor.

1

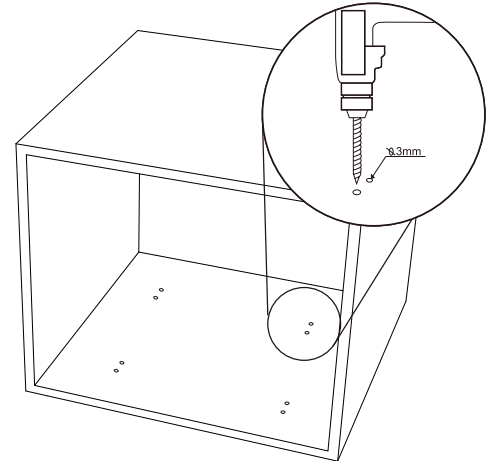


Detailed Instructions

Special Note: If the basket will not clear the cabinet's lip, (1) put washers (available at any local hardware store) under the glides and screw through the glides, washers, and into the cabinet floor OR (2) attach wood blocks to the cabinet floor and attach glides to the wood blocks.

Place the organizer (A) in your cabinet and center it in the cabinet opening, making sure slides are parallel to the sides of the cabinet. Extend the basket and mark the location of the holes in the glide foot on the cabinet floor. Remove the organizer.

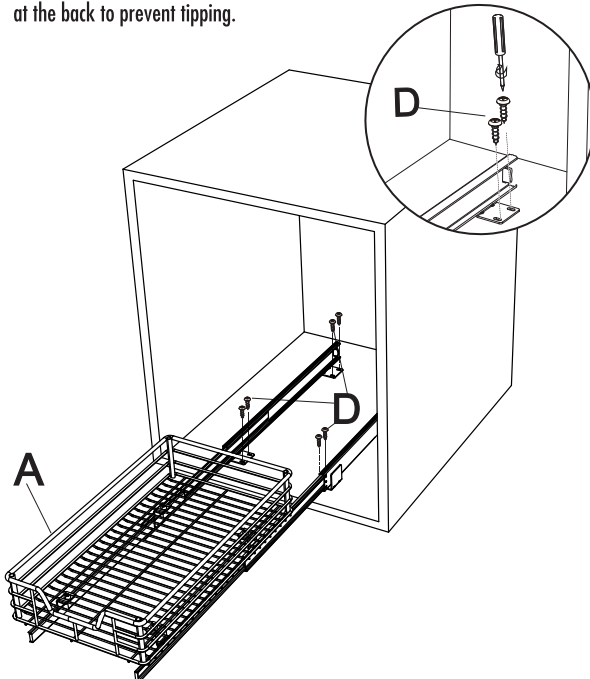
Drill pilot holes in the cabinet floor at the marked locations. Reposition the organizer over the drilled holes.



2

Attach the glides from back to front to the cabinet floor with screws (D).

Note: Only extend the basket fully after the glides have been attached at the back to prevent tipping.



3

Insert basket supports (C) into the 4 slots on the outside of glide (A), then slide top basket (B) on to basket supports (C).

