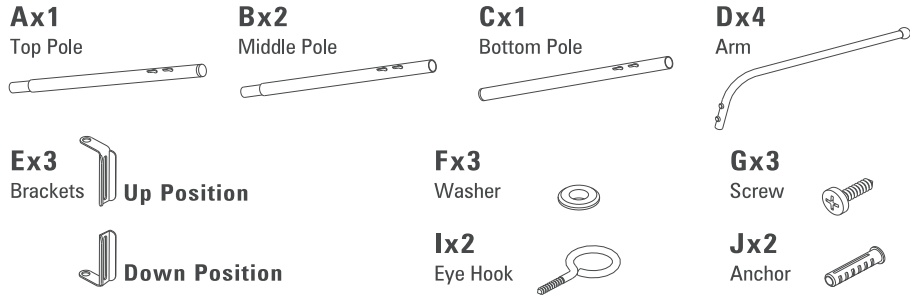


Assembly Instruction

Parts

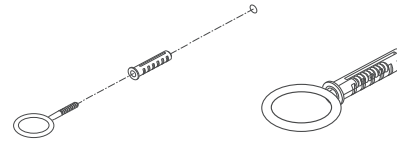


Assembly con't

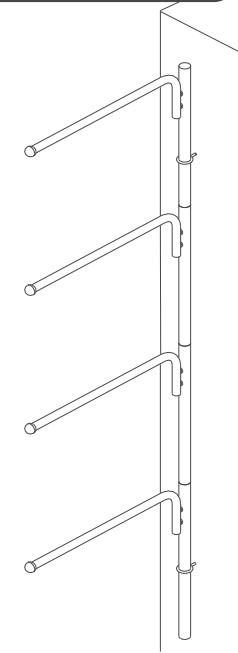
Wall Mount

1. Attach towel bars to upright poles.
 Align knobs on towel bars with holes in upright poles. Push in and down to anchor pieces together.

2. Predrill holes in the wall.
 If needed, insert drywall anchors. Screw in eye hooks.



3. Insert top and bottom upright poles through eye hooks. Connect with remaining upright poles.
 Raise or lower organizer to allow pieces to connect.



HHH12001
 HHH12003
 HHH12005
 HHH12101
 HHH12007
 HE1081
 HE1082

Assembly

Hinge Mount

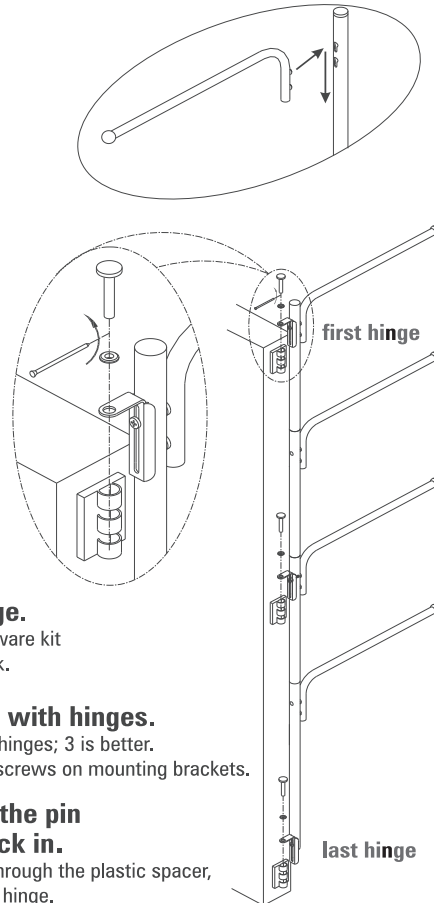
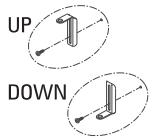
assembly

1. Attach towel bars to upright poles.
 Align knobs on towel bars with holes in upright poles. Push in and down to anchor pieces together.

2. Connect upright poles.
 Start from the bottom and assemble going up.

3. Attach mounting brackets.
 Measure distance between tops of first and last door hinge. Match to range below and attach first and last brackets as directed. Finger tighten screws.

53.5" - 60": down; up
 58.5" - 61": both up
 61" - 66.5": up; down



mounting

4. Remove pin from door hinge.

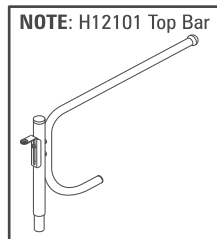
Use the nail in the hardware kit to help if the pin is stuck.

5. Align brackets with hinges.

You will need at least 2 hinges; 3 is better. Assure fit and tighten screws on mounting brackets.

6. Put spacer on the pin and put pin back in.

Hinge pin should pass through the plastic spacer, metal bracket, and door hinge.



Easy Fit

Measure this distance:

from top of first hinge to top of last hinge.

