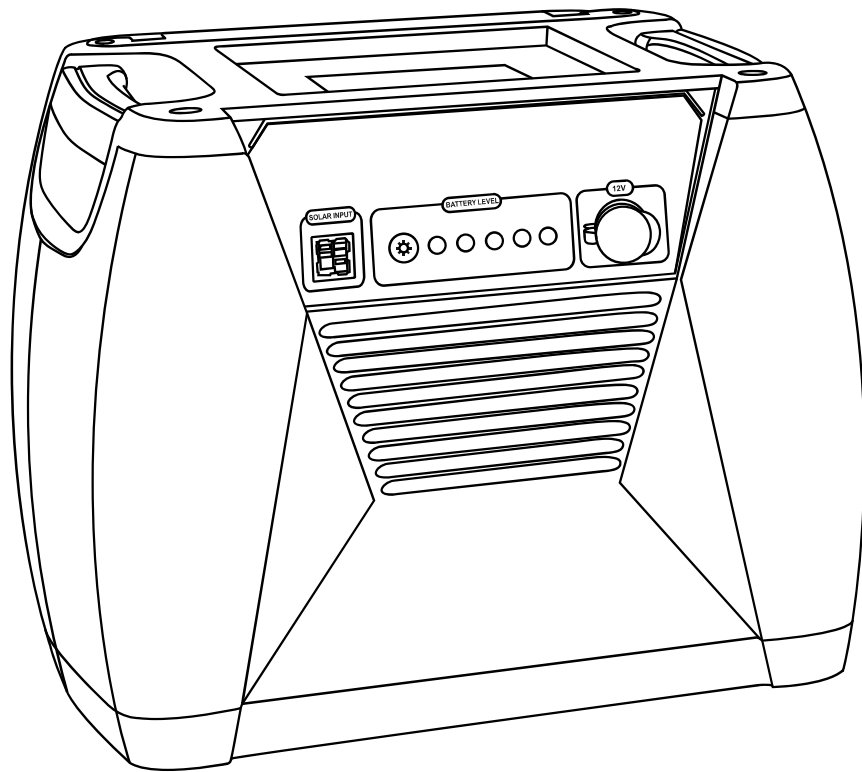


# Nature's Power Pod

## User Manual



# Nature's Power Pod

## Contents

Important Safety Instructions.....	1
- Warning.....	1
- Caution.....	2
Introduction.....	3
- Unpack Your Nature's Power Pod.....	3
- Get to Know Your Nature's Power Pod.....	4
Using Your Nature's Power Pod.....	6
- How to Recharge Your Nature's Power Pod.....	6
- How to Install Your Nature's Power Pod on Top of Nature's Generator.....	7
- How to Connect Your Nature's Power Pod to Nature's Generator.....	14
- How to Maintain and Store Your Nature's Power Pod.....	14
Troubleshooting.....	15
Technical Specifications.....	16
Limited Warranty.....	17

## ***Important Safety Instructions***

1. Read these instructions.
2. Keep these instructions.
3. Take note of all warnings.
4. Follow all instructions.
5. Do not use this apparatus near water.
6. Do not block any ventilation openings.
7. Do not use near flammable gases or fumes or other apparatus that produce a large amount of heat.
8. Only use attachments/accessories specified by the manufacturer.
9. Use only with the cart specified by the manufacturer, or sold with the apparatus. When a cart is used, use caution when moving the cart/apparatus combination to avoid injury from tip-over.
10. Refer all servicing to qualified service personnel. Servicing is required when the apparatus has been damaged in any way, such as power-supply cord or plug is damaged, liquid has been spilled or objects have fallen into the apparatus, the apparatus has been exposed to rain or moisture, does not operate normally, or has been dropped.
11. The apparatus should not be exposed to dripping or splashing, and no objects filled with liquids, such as vases, should be placed on the apparatus.

## ***Warning***

### ***Explosion hazard***

Do not burn or incinerate this item. This item may explode, causing personal injury or damage. Do not use near flammable gases or fumes or other apparatus that produces large amounts of heat.

### ***Energy and burn hazard***

Nature's Power Pod has a sealed lead acid battery, which can present a risk of burn from high current because of short-circuit.

### ***Replacement parts***

When replacement parts are required, make sure that the service technician uses replacement parts specified by the manufacturer that have the same characteristics as the original part. Unauthorized substitutions may result in fire, electric shock, personal injury, or other hazards.

### ***Safety check***

After completing any service or repair to this device, ask the service technician to perform routine safety checks to determine that your Nature's Power Pod is in correct operating condition.

### ***Servicing***

These servicing instructions are for use by qualified service personnel only. To reduce the risk of electric shock, do not perform any servicing other than that contained in the operating instructions unless you are qualified to do so.

## ***Caution***

### ***Damage requiring service***

Stop using the Nature's Power Pod and refer servicing to qualified service personnel under the following conditions:

- If liquid has been spilled or objects have fallen into your Nature's Power Pod.
- If your Nature's Power Pod has been exposed to rain or water.
- If your Nature's Power Pod has been dropped or damaged in any way.
- When your Nature's Power Pod exhibits a distinct change in performance.

### ***Cold weather***

Cold temperatures can impact Nature's Power Pod performance. If you'll be living below freezing, we recommend keeping your Nature's Power Pod in an insulated location and connected to a solar panel.

### ***End of life directives***

Your Nature's Power Pod may contain materials that are regulated for environmental reasons. Your Nature's Power Pod also contains materials that can be recycled and reused. To help protect the environment, contact your local authorities for information about disposal or recycling and about finding a recycler in your area before you dispose of your Nature's Power Pod.

## ***Introduction***

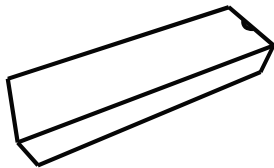
Congratulations on your new Nature's Power Pod, a great expansion to your Nature's Generator.

### ***Unpack Your Nature's Power Pod***

1. Nature's Power Pod



2. Accessory Box

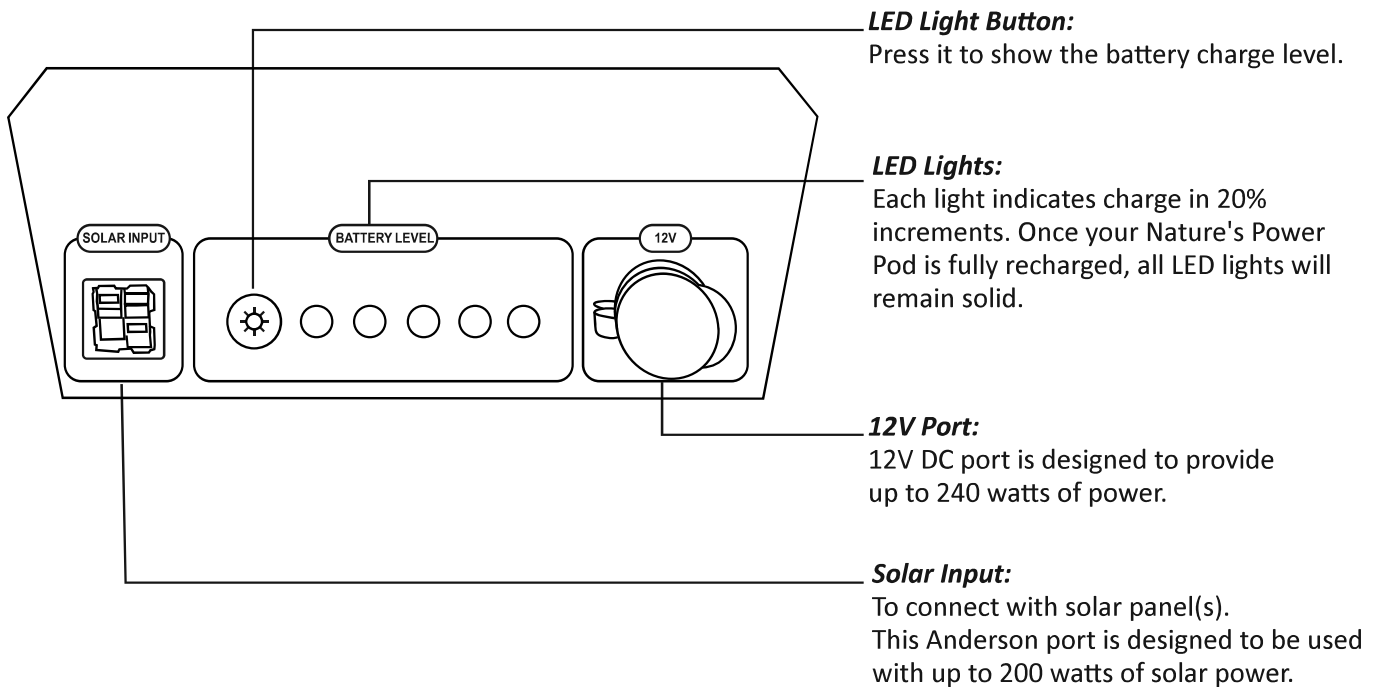


3. This user guide

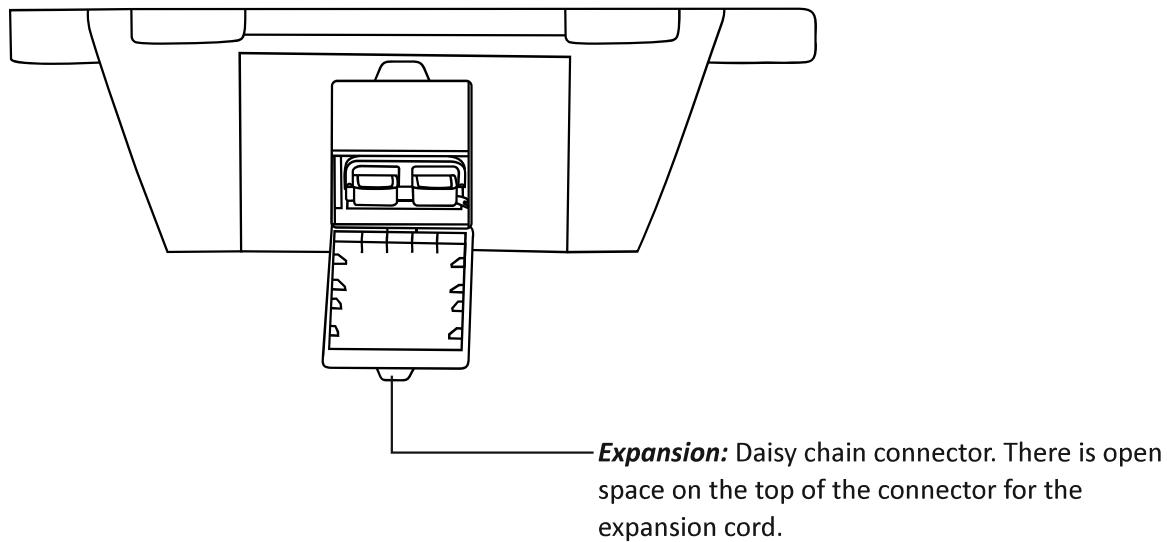


## Get to Know Your Nature's Power Pod

### Front Panel

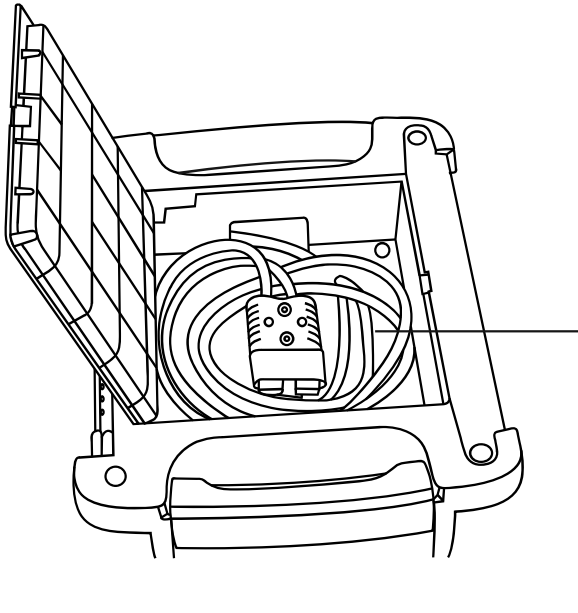


### Back Panel



Visit [Naturesgenerator.com](http://Naturesgenerator.com) for More Information

**Top Compartment**



**Expansion cord:** 35 inch long expansion cord.

## ***Using Your Nature's Power Pod***

### ***How to Recharge Your Nature's Power Pod***

#### ***Recharging from Solar***

1. Place your solar panel where it will get as much direct sunlight as possible. While direct sunlight is always preferred, solar panels should be connected at all times to provide a consistent trickle charge to your battery. Solar panels will also send a charge your unit while in hazy or overcast skies.
2. Insert solar panel plug into Solar Input port on the front of Nature's Power Pod. You will know it is recharging when LED lights start running. The LED lights remain solid when the battery is full or there is not enough power from solar panel.
3. It takes about 15 to 20 hours to recharge Nature's Power Pod if using 100 watt solar panel, depending on the strength of the sunlight.
4. To increase the recharging speed, you can chain multiple solar panel in parallel connection. The Solar Input port can handle up to 200 watt solar panel. Visit [Naturesgenerator.com](http://Naturesgenerator.com) for information on purchasing additional Nature's Generator Solar Panels.

#### ***Recharging from Nature's Generator***

1. Connect Nature's Power Pod to Nature's Generator (not included in the box) by the expansion cord.
2. When Nature's Generator is being recharged by solar, wind or wall, Nature's Power Pod will be recharged at the same time.
3. The LED lights do not run while Nature's Power Pod is recharged from Nature's Generator, but you always can press the LED Light Button to check battery level.

#### ***Recharging from the Car***

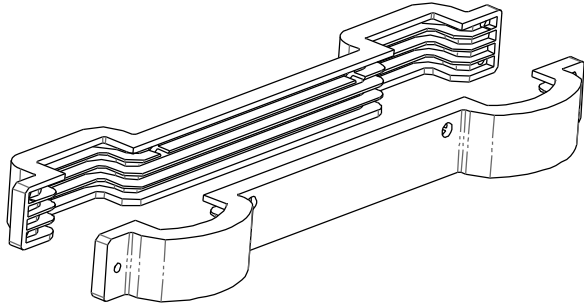
You can use DC extension cord (not included in the box) to recharge the Nature's Power Pod by using 12V DC port. This method is not recommended because it recharges much slower.



## How to Install Your Nature's Power Pod on Top of Nature's Generator

### What is in the accessory box

#### 1. Brackets



#### 2. Bolts and nuts

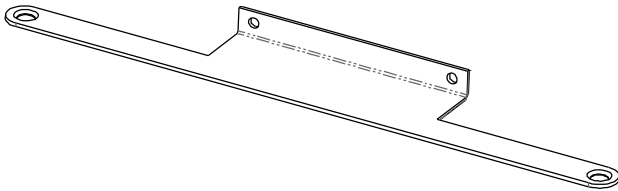


A: 16mm x 2pcs

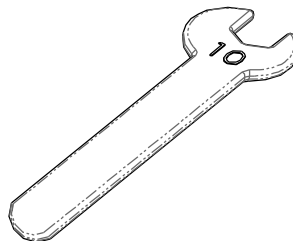
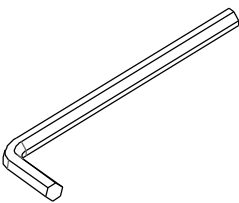


B: 25mm x 2pcs

#### 3. Pod bar



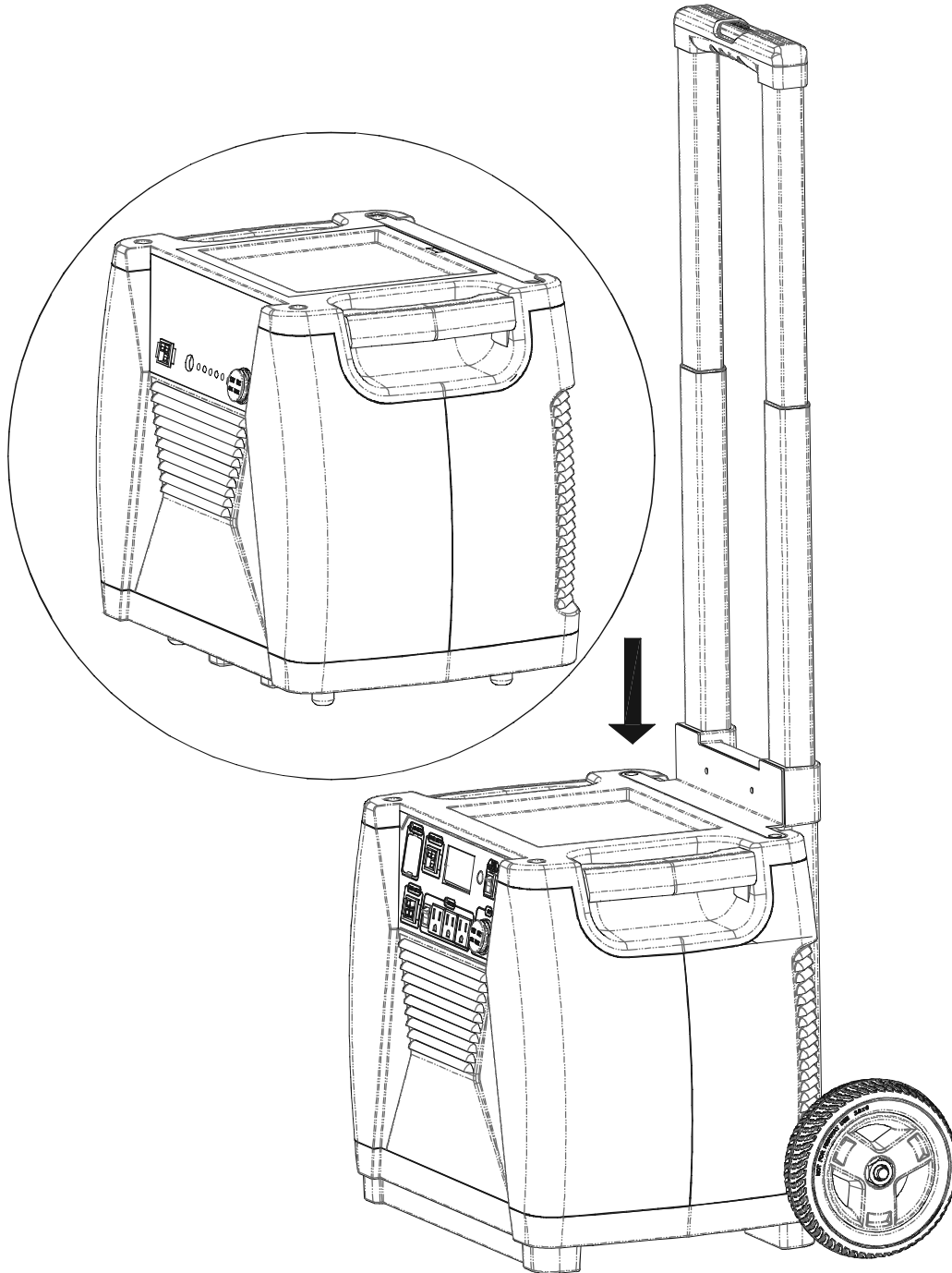
#### 4. Tools



Visit [Naturesgenerator.com](http://Naturesgenerator.com) for More Information

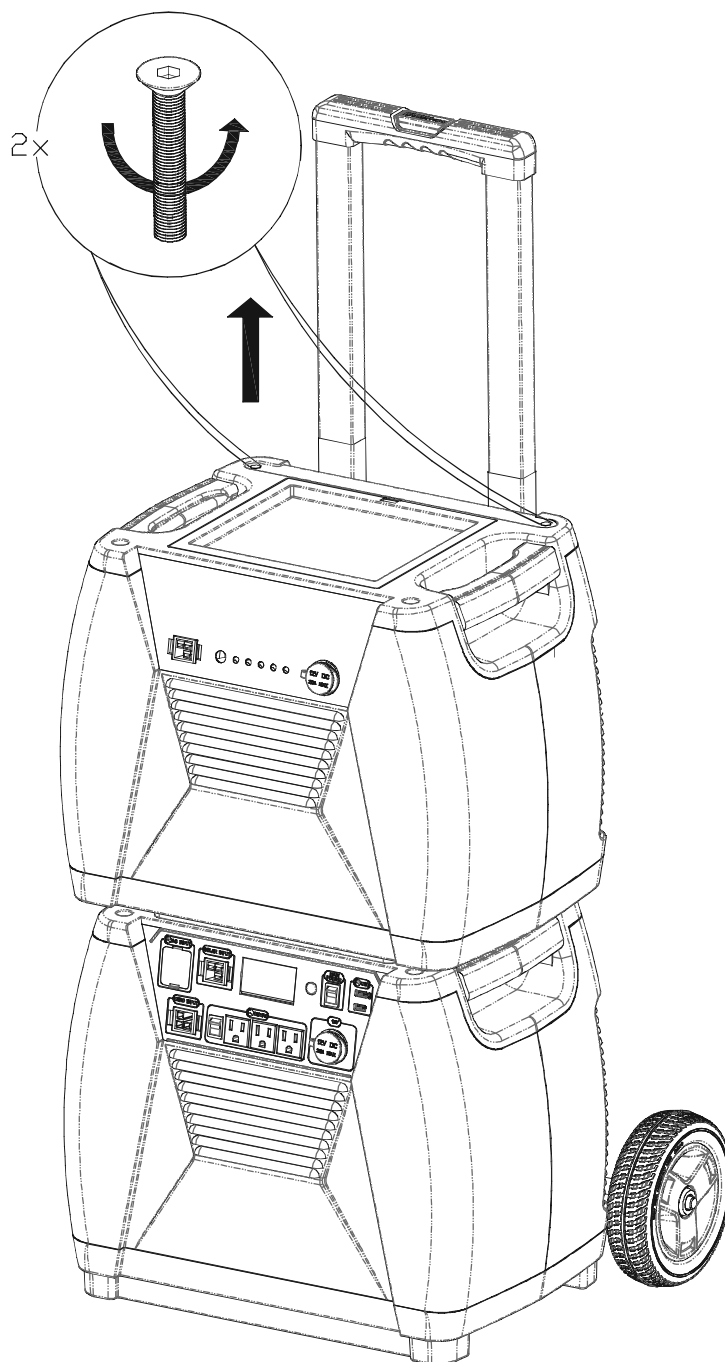
## ***Installing Procedures***

Step 1: Lift Nature's Power Pod and set it on top of Nature's Generator. Make sure the feet of Nature's Power Pod sit between the handle and top case of Nature's Generator.



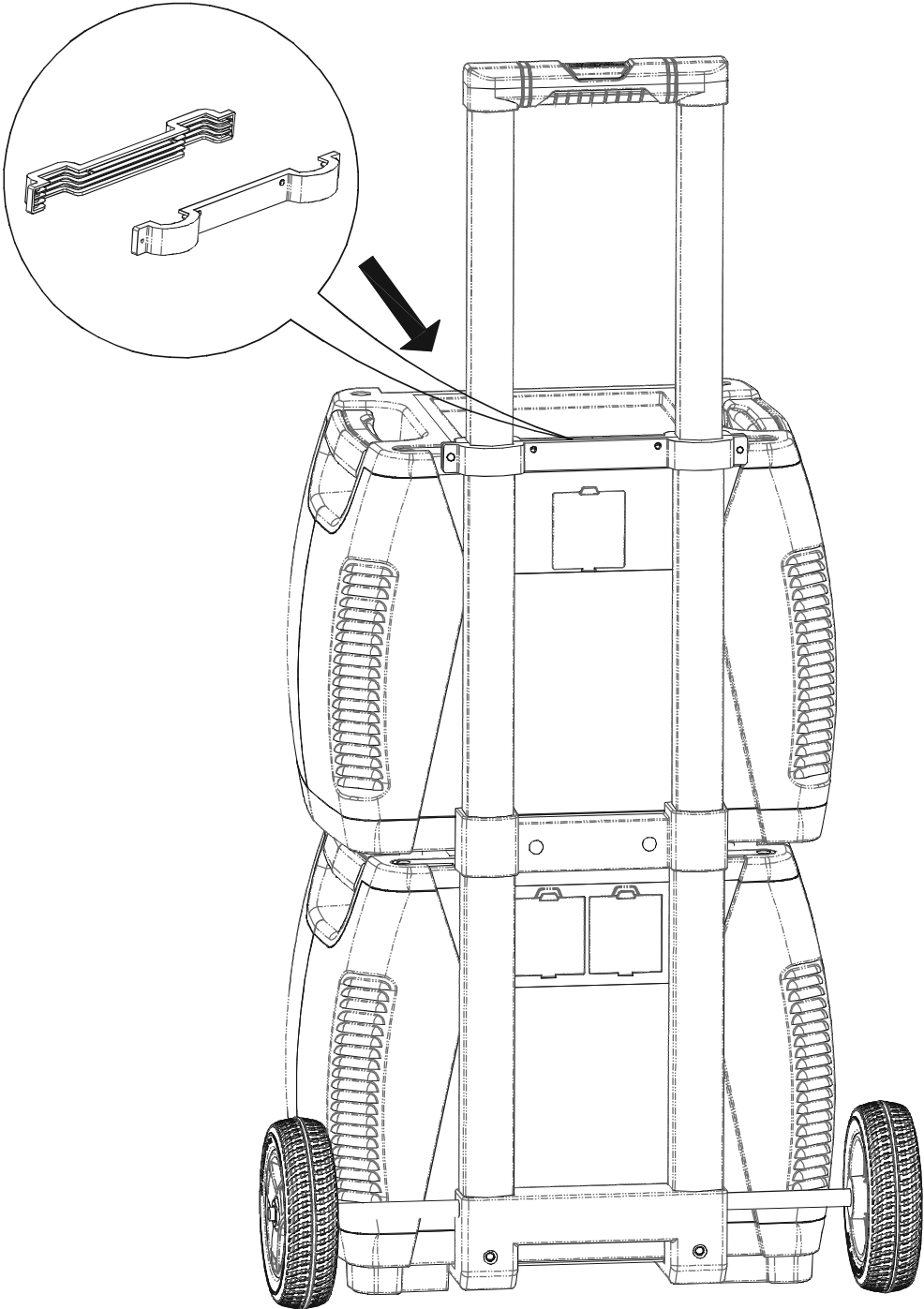
Visit [Naturesgenerator.com](http://Naturesgenerator.com) for More Information

Step 2: Remove two bolts from Nature's Power Pod with included Allen wrench. Put these two bolts aside for now as they will be reused in step 5.

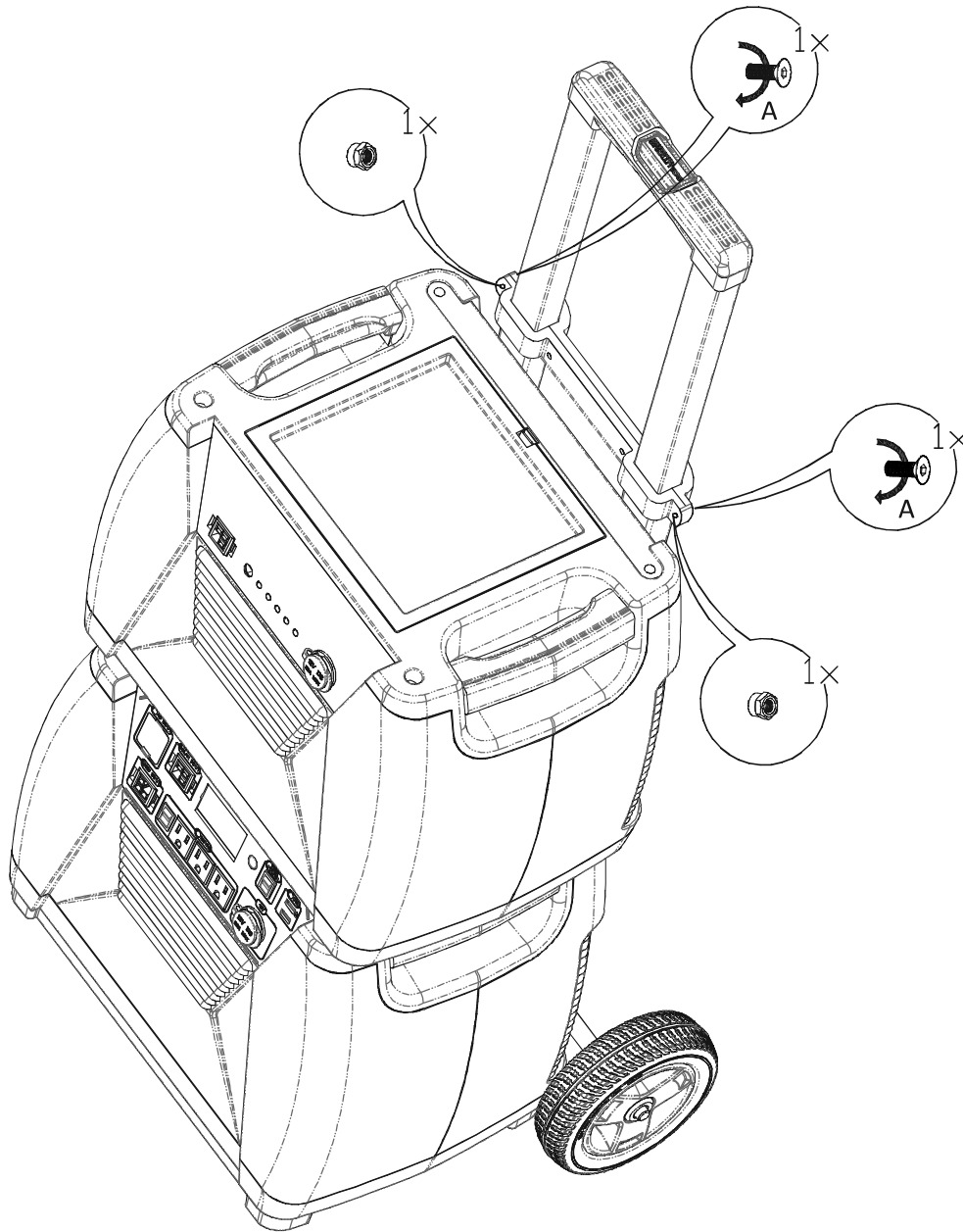


Visit [Naturesgenerator.com](http://Naturesgenerator.com) for More Information

Step 3: Put the brackets on the cart. Bracket will match up with the shape of the cart frame.

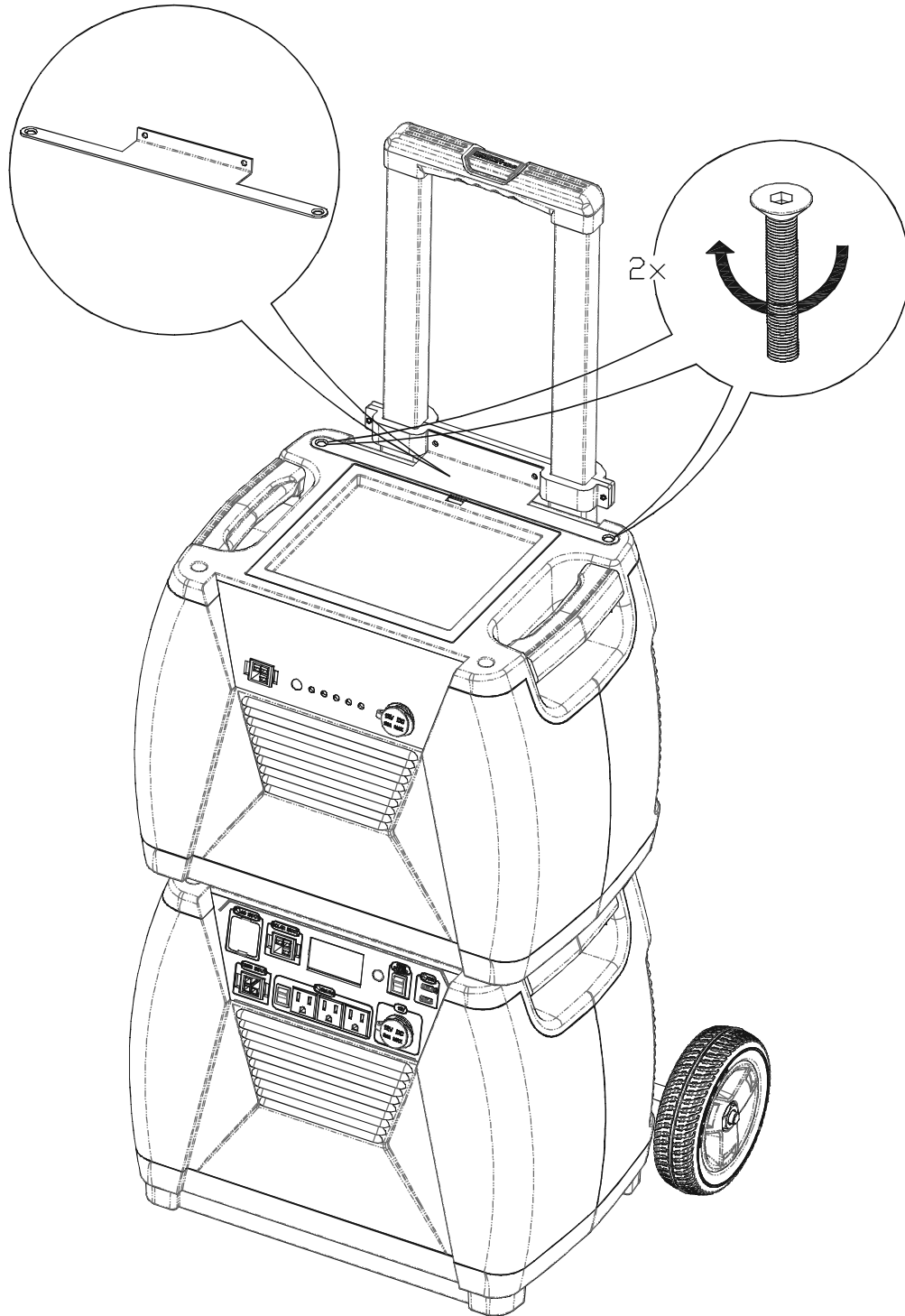


Step 4: Use type A bolts and nuts to secure the two brackets. Use wrench to hold the nuts and Allen wrench to tighten the bolts.



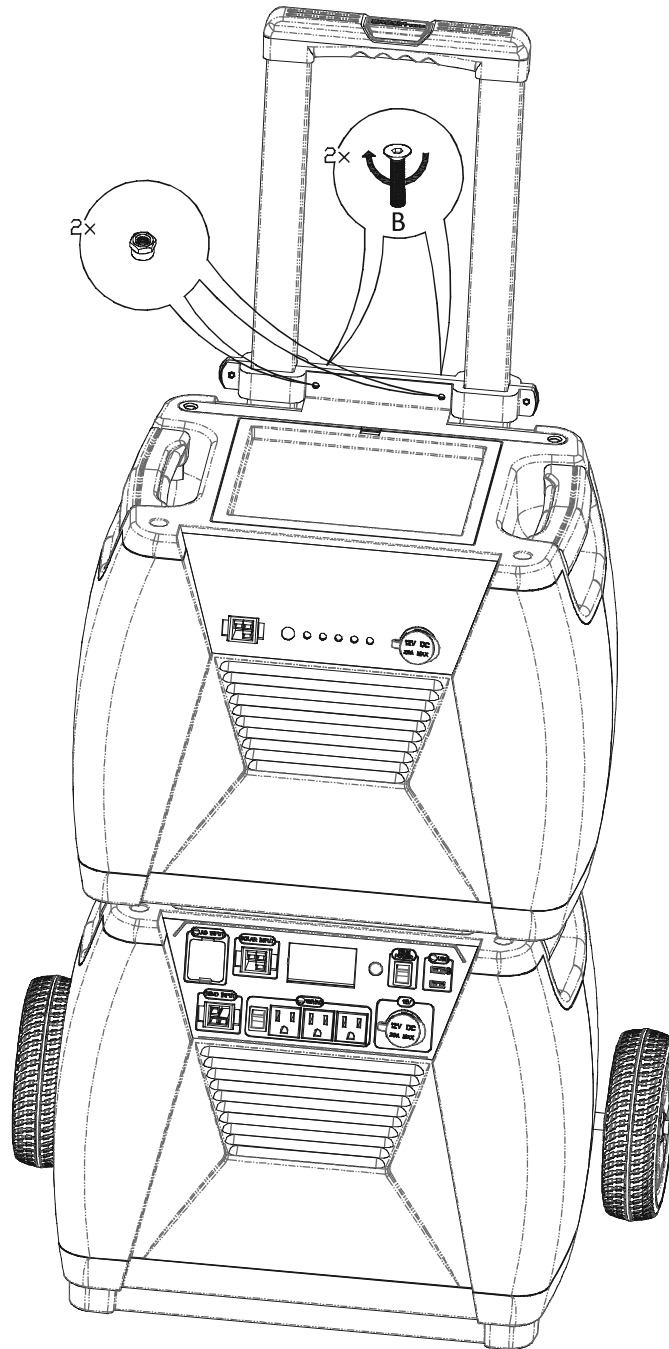
Visit [Naturesgenerator.com](http://Naturesgenerator.com) for More Information

Step 5: Place pod bar on the top of Nature's Power Pod. Insert the bolts that were removed in step 2 by Allen wrench.



Visit [Naturesgenerator.com](http://Naturesgenerator.com) for More Information

Step 6: Use type B bolts and nuts to secure the brackets and pod bar. Use the wrench to hold the nuts and Allen wrench to tighten the bolts.



Visit [Naturesgenerator.com](http://Naturesgenerator.com) for More Information

## ***How to Connect Your Nature's Power Pod to Nature's Generator***

You can connect your Nature's Power Pod to your Nature's Generator to extend the overall run time.

1. Open the top cover of the Nature's Power Pod, locate the expansion cable, and run the expansion cable out of Nature's Power Pod through the opening on the back of the Nature's Power Pod.
2. Locate Expansion Port on the back of your Nature's Generator and open the rubber cover.
3. Connect the expansion cable to the expansion port.
4. The Expansion (Chain Link) Icon will be illuminated on the display of Nature's Generator to indicate it is connected.

You will experience an increased run time of approximately 167% by adding one Nature's Power Pod, approximately 333% by adding two Nature's Power Pods and 500% by adding three Nature's Power Pods.

## ***How to Maintain and Store Your Nature's Power Pod***

Please recharge your Nature's Power Pod once every four months and store in a ventilated, cool and dry location. If possible, please connect your Nature's Power Pod to the solar panel while in storage to top off the battery voltage. This keeps battery healthy and prolongs its life. Failure to maintain Nature's Power Pod by these steps can result in battery damage which will void the product warranty.

Please clean your Nature's Power Pod with a soft, lint-free cloth. If your Nature's Power Pod is especially dirty, moisten a soft, lint-free cloth in a weak detergent solution, squeeze the excess moisture from the cloth, then wipe the cabinet with the cloth. Use a clean cloth to dry your Nature's Power Pod.



## ***Troubleshooting***

### **My Nature's Power Pod won't charge when I connect my solar panel to it.**

Please follow these steps.

1. Make sure the solar panel is pointed directly toward the sun. It is preferred to position the solar panel face the south. The solar panel may produce little or no power if it is positioned in shade.
2. Check the cable connection on Nature's Power Pod and make sure it fits tightly.
3. If the LED lights up, but the battery bar is not running. It means Nature's Power Pod is being fully charged by the solar panel or solar panel does not have high enough voltage to recharge the Nature's Power Pod.

## ***Technical Specifications***

### ***Battery:***

Type: AGM Sealed Lead Acid

Capacity: 100Ah (1200Wh)

Self-discharge: Recommend to recharge it every 4 months

### ***Ports:***

12V DC Port: up to 20A (240W max)

Expansion Cord: 45 inches

### ***Charges:***

Solar Charger: 200watt

Battery Level LED lights: 5 LED lights

### ***General:***

Dimensions: 18 x 12 x 15 in (47 x 30 x 38 cm)

Operating temperature: 32-104 °F (0-40 °C)

Storage Temperature: 23-111 °F (-5-45 °C)

Weight: 92 lbs

Visit [Naturesgenerator.com](http://Naturesgenerator.com) for More Information

## ***Limited Warranty***

### ***One Year Limited Warranty***

Huntkey USA Inc. warrants to you, the original purchaser of this new product, that the product shall be free of defects in the original manufacture of the material or workmanship for a period of one (1) year from the original date of your purchase of the product ("Warranty Period"). This product must be purchased from an authorized dealer and packaged with this warranty statement. This warranty does not cover refurbished product.

### ***What does this Warranty Cover?***

During the Warranty Period, if the original manufacture of the material or workmanship of the product is determined to be defective by an authorized dealer, Huntkey USA Inc. will (at its sole option): (1) repair the product with new or rebuilt parts; or (2) replace the product at no charge with new or rebuilt comparable products or parts. Products and parts replaced under this warranty become the property of Nature's Power Pod and are not returned to you. If service of products or parts are required after the Warranty Period expires, you must pay all labor and parts charges. This warranty lasts as long as you own your product during the Warranty Period. Warranty coverage terminates if you sell or otherwise transfer the product.

### ***How to Obtain Warranty Service?***

Please call 1-805-383-0003 Monday through Friday, 8:30AM to 4:30PM PST. You will be provided with a Return Merchandise Authorization (RMA) number and return instructions. Send product to:

Huntkey USA, Inc.  
735 W Ventura Blvd., Suite B  
Camarillo, CA 93010

Please include the RMA number prominently displayed on the shipping box and include your name, phone number and address with the product inside the box.

### ***Where is the Warranty Valid?***

This warranty is valid only to the original purchaser of the product in North America (United States, Canada and Mexico).

***What does the Warranty not Cover?***

This warranty does not cover:

- Cosmetic damage
- Damage due to acts of God, such as lightning strikes
- Accident
- Misuse
- Abuse
- Negligence
- Commercial use
- Modification of any part of the product
- Damage due to incorrect operation or maintenance
- Connection to an incorrect voltage supply
- Attempted repair by anyone other than a facility authorized by Huntkey USA Inc. to service the product
- Products sold as is or with all faults
- Consumables, such as batteries
- Products where the factory applied serial number has been altered or removed

REPAIR REPLACEMENT AS PROVIDED UNDER THIS WARRANTY IS YOUR EXCLUSIVE REMEDY. HUNTKEY USA INC. SHALL NOT BE LIABLE FOR ANY INCIDENTAL OR CONSEQUENTIAL DAMAGES FOR THE BREACH OF ANY EXPRESS OR IMPLIED WARRANTY ON THIS PRODUCT, INCLUDING, BUT NOT LIMITED TO LOST DATA, LOSS OF USE OF YOUR PRODUCT, LOST BUSINESS OR LOST PROFITS. HUNTKEY USA INC. PRODUCTS MAKES NO OTHER EXPRESS WARRANTIES WITH RESPECT TO THE PRODUCT, ALL EXPRESS AND IMPLIED WARRANTIES FOR THE PRODUCT, INCLUDING, BUT NOT LIMITED TO, ANY IMPLIED WARRANTIES OF AND CONDITIONS OF MERCHANTABILITY AND FITNESS FOR A PARTICULAR PURPOSE, ARE LIMITED IN DURATION TO THE WARRANTY PERIOD SET FORTH ABOVE AND NO WARRANTIES, WHETHER EXPRESS OR IMPLIED, WILL APPLY AFTER THE WARRANTY PERIOD. SOME STATES, PROVINCES AND JURISDICTIONS DO NOT ALLOW LIMITATIONS ON HOW LONG AN IMPLIED WARRANTY LASTS, SO THE ABOVE LIMITATION MAY NOT APPLY TO YOU. THIS WARRANTY GIVES YOU SPECIFIC LEGAL RIGHTS, AND YOU MAY ALSO HAVE OTHER RIGHTS, WHICH VARY FROM STATE TO STATE OR PROVINCE TO PROVINCE.

Contact Huntkey USA Inc:

For customer service please call 1-805-383-0003

Huntkey USA, Inc.

735 W Ventura Blvd., Suite B

Camarillo, CA 93010

Visit [Naturesgenerator.com](http://Naturesgenerator.com) for More Information

