

## Stove Dimensions

Model	Unit Dimensions	Minimum Fireplace Dimensions	Framing Dimensions	Standard Trim Kit Dimensions	Oversized Trim Kit Dimensions
34 ZC BTU/H Output: 33,000	34" W 23 3/4" H 16" D	29 1/2" W 24" H 12" D	33" W 25 1/8" H 12 1/2" D	Top: 47 13/16" x 6 13/16" Sides: 30 7/16" x 6 13/16" Fits Fireplaces up to: 42 3/8" W x 27 7/16" H	Top: 50" x 12 7/8" Sides: 36 7/16" x 7 15/16" Fits Fireplaces up to: 47" W x 33 7/16" H
Manhattan BTU/H Output: 33,000	37 3/4" 26 1/8" H ** 16" D	29 1/2" W 24" H 12" D	33" W 25 1/8" H 12 1/2" D	Top: 49" x 7 3/4" Sides: 28 1/4" x 5 3/4"	N/A
T33 BTU/H Output: 33,000	26 1/2" W 23 1/2" H 14 1/2" D	36 1/2" W 36 1/2" H 46 7/8" D	N/A	Standard: 39 1/16" W x 30 1/2" H x 6 3/4" D Arched: 28" W x 39" H	N/A
384 BTU/H Output: 33,000	32" W 23 1/2" H 14 1/4" D With Standard Legs 32" W 31 1/4" H 14 1/4" D	33" W 25 1/8" H 12 1/2" D	33" W 25 1/8" H 12 1/2" D	Top: 45 3/8" x 6 13/16" Sides: 30 7/16" x 6 13/16" Fits Fireplaces up to: 42 3/8" W x 27 7/16" H	Top: 47 9/16" x 12 15/8" Sides: 36 7/16" x 7 17/8" Fits Fireplaces up to: 44 9/16" W x 33 7/16" H
329 BTU/H Output: 33,000	29 1/4" W 23 1/2" H 15 1/2" D With Pedestal 29 1/4" W 33 3/4" H 15 1/2" D	29 1/2" W 24" H 6" D	N/A	Top: 43" x 6 15/16" Sides: 30 7/16" x 6 13/16" Fits Fireplaces up to: 42" W x 27 7/16" H	Top: 50" x 12 7/8" Sides: 36 7/16" x 10 3/8" Fits Fireplaces up to: 47" W x 33 7/16" H
ZCBB 36"	39 5/16" W 35 1/2" H 19 1/2" D	N/A	40 7/8" W 38 1/8" H 20 1/4" D	N/A	N/A
ZCBB 42"	45 5/16" W 35 1/2" H 19 1/2" D	N/A	46 9/16" W 38 1/2" H 20 1/2" D	N/A	N/A
1127 BTU/H Output: 25,000	20 1/8" W 22" H 7" D With Pedestal 20 1/8" W 29" H 7" D	N/A	N/A	N/A	N/A
1110 BTU/H Output: 10,000	20 1/8" W 22" H 7" D With Pedestal 20 1/8" W 29" H 7" D	N/A	N/A	N/A	N/A
32 BTU/H Output: 32,000	21 1/4" W 25" H 13 1/2" D With Pedestal 21 1/4" W 29" H 13 1/2" D	21 1/2" W 25 1/2" H 13" D	N/A	Top: 39 1/4" x 9" Sides: 34 1/8" x 9" Fits Fireplaces up to: 36 1/4" W x 31 1/8" H	Top: 45 1/4" x 12" Sides: 37 1/8" x 12" Fits Fireplaces up to: 42 1/4" W x 34 1/8" H
DV1000 BTU/H Output: 25,000	38 1/8" W 33 1/2" H 16 1/2" D	N/A	37 7/16" W 36 1/8" H 17" D	N/A	N/A
Town II BTU/H Output: 32,000	26 1/2" W 26 1/4" H 16 1/2" D	N/A	N/A	N/A	N/A
Hepp BTU/H Output: 32,000	20 1/2" W 22 3/4" H 14 1/2" D	N/A	N/A	N/A	N/A

Additional direct vent products are currently under development.

Visit [BuckStove.com](http://BuckStove.com) for more information



# Vent Free Gas Hearth Products

**Unmatched People—Unmatched Product—Unmatched  
Pride American Made. Built to Last!**

200 Ethan Allen Drive  
Spruce Pine, NC 28777  
828-765-6144  
[www.BuckStove.com](http://www.BuckStove.com)

## Buck Stove Vent-Free Fireplace Systems...

Add the warmth, charm and beauty of a fireplace to almost any room in your home. Vent-Free units require no chimney or venting system. No heat is lost, and installation is quick and easy. Buck Stove Vent-Free fireplaces are 99.9% fuel efficient. The unit does not require electricity to provide heat, making them the perfect alternative for emergency heat during power outages. Safety is a top priority with every Buck Stove Vent-Free Fireplace. All units are design certified and meet or exceed all regulations and safety program standards. Additionally, these units offer the dual function safety pilot system which protects against oxygen depletion and interruption in fuel supply. Available in Natural and LP Gas.

### Model 34ZC



The Model 34 ZC is our most popular vent-free Fireplace providing up to 33,000 BTU's of clean heat. Standard features include factory installed variable speed blower and thermostatically controlled gas which modulates to maintain desired heat output. Optional Millivolt gas valve for use with remote control or wall thermostat. Choose from numerous installation options to fit every need. Model 34ZC can be used as a masonry fireplace insert, freestanding with optional mantel or this unit can be built into existing wall for zero clearance application.

*Shown with firebox cover doors, black satin finish, pewter knobs. Optional mantel styles and colors available.*

Model 34ZC Specifications	
Unit Dimensions	34" W x 23 1/4" H x 16" D
Classic Mantel Dimensions	49 1/2" W x 44" H x 18 1/2" D
Contemporary Mantel Dimensions	52 1/2" W x 43 1/2" H x 21 3/4" D
Prestige Mantel Dimensions	60 1/8" W x 39 5/8" H x 18 3/8" D
Minimum Fireplace Dimensions	29 1/2" W x 24" H x 12" D
BTU/H Output	33,000
Blower	Yes
Contemporary	Millivolt Only
Millivolt & Modulating Control (standard 34ZC)	Both Available (Specify When Ordering)
Manufactured Home Approved	Yes



*34 Fireplace Insert With Accents & Standard Trim Kit*



*34 With Accents In Prestige Book-case Mantel With Light Finish*



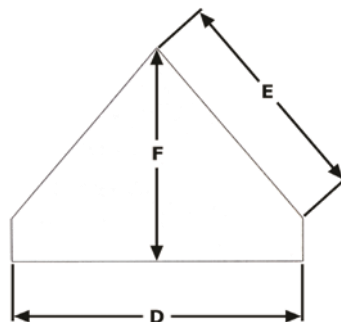
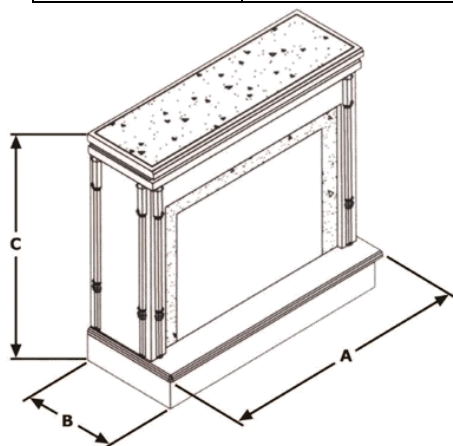
*34 With Black Accents In Classic Mantel With Dark Finish*



*34 Contemporary Mantel With Light Finish (also available in dark finish)*

## Mantel Dimensions

Model	Style	A	B	C	D	E	F
<b>34ZC</b>	Classic	49 1/2"	18 1/2"	44"	49 1/2"	34 7/8"	39"
	Contemporary	53 1/4"	21"	43 1/2"	53 1/4"	37 7/8"	44 1/2"
	Prestige	60 1/8"	18 3/8"	39 5/8"	N/A	N/A	N/A
<b>Manhattan</b>	Prestige	64"	18 1/2"	39 3/4"	N/A	N/A	N/A
	Deluxe	51 1/8"	16 1/2"	37 3/4"	N/A	N/A	N/A
<b>T33</b>	Classic	37 1/2"	16 1/4"	36 1/2"	N/A	26"	31 1/2"
<b>384</b>	Classic	49 1/2"	18 1/2"	44"	49 1/2"	34 7/8"	39"
	Contemporary	53 1/4"	21"	43 1/2"	53 1/4"	37 7/8"	44 1/2"
	Prestige	60 1/8"	18 3/8"	39 5/8"	N/A	N/A	N/A
<b>329</b>	Classic	49 1/2"	18 1/2"	44"	49 1/2"	34 7/8"	39"
	Contemporary	53 1/4"	21"	43 1/2"	53 1/4"	37 7/8"	44 1/2"
	Prestige	60 1/8"	18 3/8"	39 5/8"	N/A	N/A	N/A
<b>ZCBB 36*</b>	Deluxe	51 1/2"	24 1/2"	51"	N/A	N/A	N/A
	Flush Mount	60" Top	6 1/2" Top	49 1/2"	N/A	N/A	N/A
<b>ZCBB 42*</b>	Deluxe	56 1/2"	24 1/4"	51"	58"	40 21/32"	48 3/4"
<b>1127</b>	Deluxe	37"	14"	34"	37"	25 3/8"	26"
	Prestige	51 1/2"	16 1/2"	36"	N/A	N/A	N/A
<b>1110</b>	Deluxe	37"	14"	34"	37"	25 3/8"	26"
	Prestige	51 1/2"	16 1/2"	36"	N/A	N/A	N/A
<b>32</b>	Standard	37 1/2"	16"	38 1/2"	37 1/2"	25 1/8"	30 3/4"
<b>DV1000</b>	Flush Mount	58 3/8"	6"	46 7/8"	N/A	N/A	N/A



\* ZCBBXL Packages include Ember Vision log sets with 40,000 BTU/H output, millivolt control, thermostat and remote. ZCBBXL packages have the same Unit, Framing and Mantel Dimensions as the ZCBB units.

### Accessories



**Heat Shield Model 19HS**  
(Vent Free Units Only)  
With Air Circulation

**Remote Control**

### Classic & Contemporary Mantel Colors



Available Prestige Mantel Colors

\*Size, Color, Style and Options on units and mantels are subject to change without notice.

**Model ZCBB - available as a 36" or 42" zero clearance universal firebox.**



*Shown with Flush Mount Mantel*



*Shown with Optional Log Set (ZCBBXL)*



*Shown in Deluxe Mantel*

Install it almost anywhere since no chimney or hearth is required. Customize for the look you want with tile, rock or marble and add a raised hearth if you desire. The ZCBB offers an efficient heat circulating design which keeps warm air flowing. This fireplace is perfectly completed by adding a set of Buck Stove Vent-Free Ember Vision Gas Logs.

*ZCBB 36: accepts 24" gas logs.*

*ZCBB 42" accepts 30" gas logs.*

<b>Model ZCBB Specifications</b>	
36" ZCBB Unit Dimensions	39 5/16" W x 35 1/2" H x 19 1/2" D
36" Unit Mantel Dimensions	51 1/2" W x 51" H x 24 1/2" D
36" Flush Mantel Dimensions	60" W x 49 1/2" H x 6 1/2" D
42" ZCBB Unit Dimensions	45c" W x 352" H x 192" D
42" Unit Mantel Dimensions	56 1/2" W x 51" H x 24 1/4" D

**Models 1110 & 1127**



*1127 shown above in optional Prestige bookcase mantel.*



*1127 shown with optional pedestal mount*

For pennies per hour you can enjoy up to 10,000 BTU's (Model 1110) or up to 25,000 BTU's (Model 1127) of heat circulating throughout your home. Factory installed variable speed blower system included. The model 1110 is approved for bedroom use (check local codes) and is identical in size and shape to the model 1127.

<b>Models 1110 &amp; 1127 Specifications</b>	
Unit Dimensions	208" W x 22" H x 7" D
Prestige Mantel Dimensions	502"W x 36"H x 14"D
BTU/H Output	10,000 (Model 1110) 25,000 (Model 1127)
Millivolt & Modulating Control	Modulating Only
Available Options:	Deluxe Oak or White Mantel
(Corner Mantel Dimensions Listed On Back Page)	Corner Oak Mantel
	Prestige Bookcase Mantel
	Pedestal & Wall Mountable
Manufactured Home Approved	Yes

## 34ZC Manhattan



*Shown in Prestige Bookcase mantel with optional trim kit.*

Model 34ZC Manhattan can be inserted in the same mantel options as the Model 34ZC. Please see previous page for options.

With the redesigned styling of our most popular model 34ZC our team at Buck Stove has crafted a design to fit today's modern interior decor needs. This 33,000 BTU ember stove base unit with a black satin finish and pewter knobs is guaranteed to be the centerpiece of your home.

34ZC Manhattan Specifications	
Unit Dimensions	23 3/4" H X 34" W X 16" D
Stove Front Dimensions	26 1/8" H X 37 3/4" W X 3 1/2" D
Manhattan Mantel Dimensions	39 3/4" H x 64" W x 18 1/2" D
Minimum Fireplace Dimensions	24" H X 29 1/2" W X 12" D
BTU/H Output	33,000
Blower	Yes
Millivolt Control Only	
Manufactured Home Approved	Yes

## Model T33



*Shown as free-standing*

The stylish contemporary look of the premier T33 is sure to be the focal point of any room. This original design offers smooth curves and arches accentuated with straight line bars in the door, open to the flame inside creating a warm and comfy atmosphere. Whether used as a freestanding stove or as a fireplace insert with arched trim kit designed to coordinate with the look of the stove, this unit will be the ideal choice for your home décor.



*Shown in fireplace with optional trim kit.*

Model T33 Specifications	
Unit Dimensions	26 1/2" W x 23 1/2" H x 14 1/2" D
Mantle	36 1/2" W x 36 1/2" H x 16 1/4" D
Corner Mantel	36 1/2" W x 36 1/2" H x 46 7/8" D
BTU/H Output	32,000
Blower	Standard
Millivolt & Modulating Control	Millivolt only
Manufactured Home Approved	Yes



*Shown in optional Oak mantel.*

## Model 384 (freestanding, zero clearance or optional mantel)



Shown in Prestige Bookcase mantel.

The Buck 384 is perfect for installation in your home, with a new Ember Stove Base design and glowing ember bed. The firebox area is made complete by Oak Style ceramic logs, and Boston Buff brick panels for the most realistic look available. This fireplace has a 33,000 BTU rating and factory installed blower system with built in thermostat. The gas control system (L.P. or Natural Gas) is a Millivolt style valve which allows use of an optional remote control or wireless wall thermostat for extra convenience and comfort.



Shown As Freestanding Unit With Black Legs



Shown in optional Classic mantel.



Insert shown in fireplace

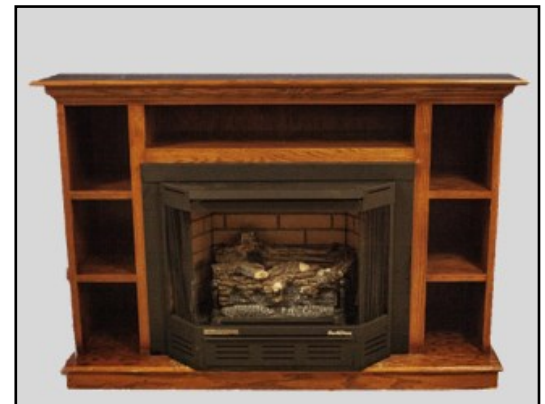
Model 384 Specifications	
Unit Dimensions	32" W 23 1/2" H x 14 3/4" D
Classic Mantel Dimensions	49 1/2" W x 44" H x 18 1/2" D
Contemporary Mantel Dimensions	52 1/2" W x 43 1/2" H x 21 3/4" D
Prestige Mantel Dimensions	60 1/8" W x 39 5/8" H x 18 3/8" D
Minimum Fireplace Dimensions	33" W x 25 1/8" H x 12 1/2" D
BTU/H Output	33,000
Blower	Yes
Millivolt & Modulating Control	Millivolt Only
Manufactured Home Approved	Yes



Shown in optional Contemporary mantel in light oak.

## Model 329

The 329 quietly circulates warm air throughout your home with factory installed variable speed blower system. Unit can be freestanding with optional pedestal, a fireplace insert with added trim kit, or in one of our beautiful mantels.



Shown in optional Prestige mantel in dark oak.



Freestanding with pedestal  
Model also available with legs (not shown)

Model 329 Specifications	
Unit Dimensions	29 1/4" W x 23 1/2" H x 15 1/2" D
Classic Mantel Dimensions	49 1/2" W x 44" H x 18 1/2" D
Prestige Mantel Dimensions	60 1/8" W x 39 5/8" H x 18 3/8" D
Minimum Fireplace Dimensions	29 1/2" W x 24" H x 6" D
BTU/H Output	33,000
Blower	Yes
Millivolt & Modulating Control	Both Available (Specify When Ordering)
Manufactured Home Approved	Yes



*Shown in Classic mantel*

## Model 32

Models 32 Specifications	
Unit Dimensions	21 1/4" W x 25" H x 13 1/2" D
Mantel w/Hearth Dimensions	37 1/2" W x 38 1/2" H x 16" D
Corner Mantel w/Hearth	37 1/2" W x 38 1/2" H x 30 3/4" D
Minimum Fireplace Dimensions	21 1/2" W x 25 1/2" H x 13" D
BTU/H Output	33,000
Blower	Yes
Millivolt & Modulating Control	Modulating Only
Manufactured Home Approved	Yes

The Model 32 provides the beautiful appearance of a real fireplace with minimal hassle. Standard features include factory installed variable speed blower system. The Model 32 can be used as a fireplace insert with optional trim kit (shown), freestanding or with optional flat wall or corner mantel.

## Steel Series—Townsend II Steel & Hepplewhite Steel



Steel Series units are precision designed and assembled in the USA. Made from high-quality heat absorbent steel these units radiate warmth even at the lowest setting. The 32,000 BTU gas log set is 99.9% fuel efficient to save on home heating costs. Standard features include a remote ready millivolt gas valve and a top grill inlay. 1200 degree, powder coated finish available in: Green, Terracotta, Almond, Vintage Copper and Black. Available in LP or Natural Gas. A blower (with shield) is available for the Townsend II Steel (not available for Hepplewhite).

## Model DV1000 ZC

Direct Vent Gas Unit

### Model DV1000ZC Specifications

BTU/H: 25,000

Unit: 388" W x 332" H x 162" D

Mantel: 58a" W x 46d" H x 6" D

Other Specs & Dimensions Listed On Spec Sheet

Requires outside air for combustion. DV1000ZC

approved for bedroom installation. Check local codes.



*Shown In Optional Finished Flush Mantel  
Doors or Screen required*

