

REMOTE CONTROL USE AND BATTERY INFORMATION

You may also change the lighting functions using the included remote control and one 23A, 12V battery. Begin by placing the included battery in the remote control. Remove cover of the battery compartment and insert the battery according to the +/- directions. After ensuring the tree is plugged in and turned on using the foot pedal switch, press the button on the remote to cycle through the 8 lighting functions, listed on the next page.

TROUBLE SHOOTING:

If your tree does not light up, please check the following:

1. Check that all plugs are properly connected.
2. Check wall outlet for power.
3. Check for loose, missing, or broken bulbs.

IF PLUG DOES NOT FIT:

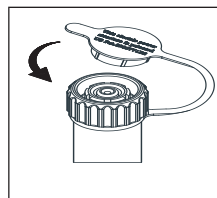
This product contains an extension cord with a polarized plug (one prong is wider than the other). This feature reduces the risk of electrical shock. If the plug does not fit fully into the outlet, reverse the plug as it is designed to only fit one way. If the plug still does not fit, contact a qualified electrician. Do not use this product with an extension cord unless the plug can be fully inserted. Do not alter or replace the plug.

BASIC PRECAUTIONS SHOULD BE FOLLOWED WHEN USING THIS PRODUCT:

(Inspect product carefully before using or re-using):

1. This is an electrical product not a toy! To avoid risk of fire, burns, personal injury, or electrical shock it should not be played with.
2. Do not mount or place near gas or electric heaters, fireplaces, candles, or other similar sources of heat.
3. Do not cover product with cloth, paper or any material when product is in use.
4. Do not hang ornaments or other objects from the cord, wire, or light strings. Hang ornaments only on the tree branches.
5. For your safety, unplug the product if left unattended.
6. Do not let bulbs rest on the supply cord or on any wire.
7. Do not close doors or windows on the product or extension cords as this may damage the wire insulation.

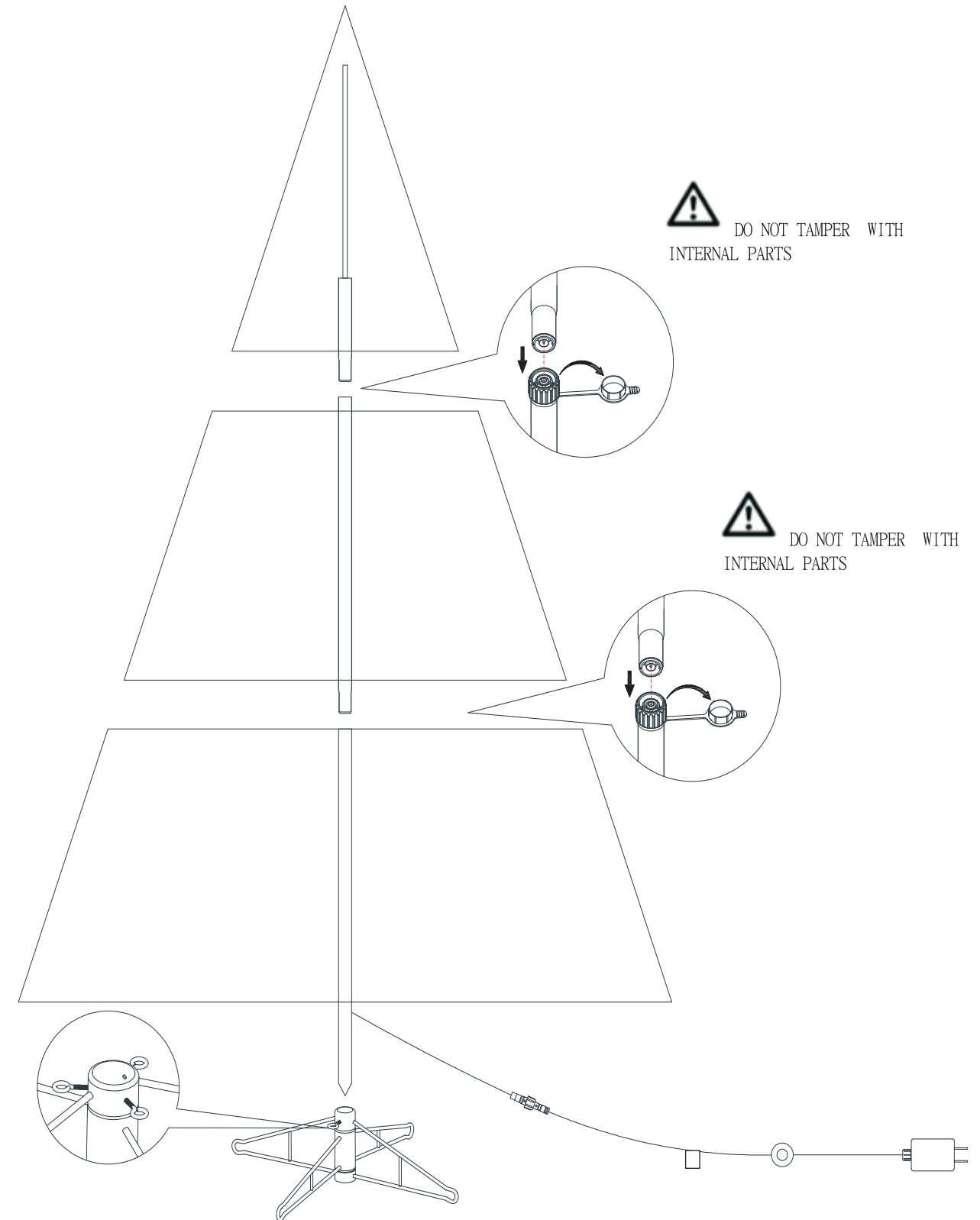
STORAGE: Disassembled tree can be stored in its original box. Store tree in a cool dry place where the temperature does not exceed 100 degrees Fahrenheit.



This product is for indoor use only.

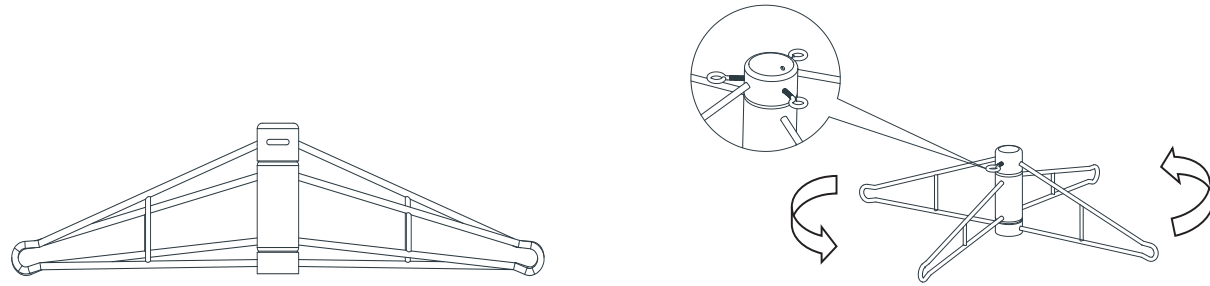
Dual Color LED Pre-Lit Tree with Multi-Functions

Please read instructions carefully before use. Retain for future reference.

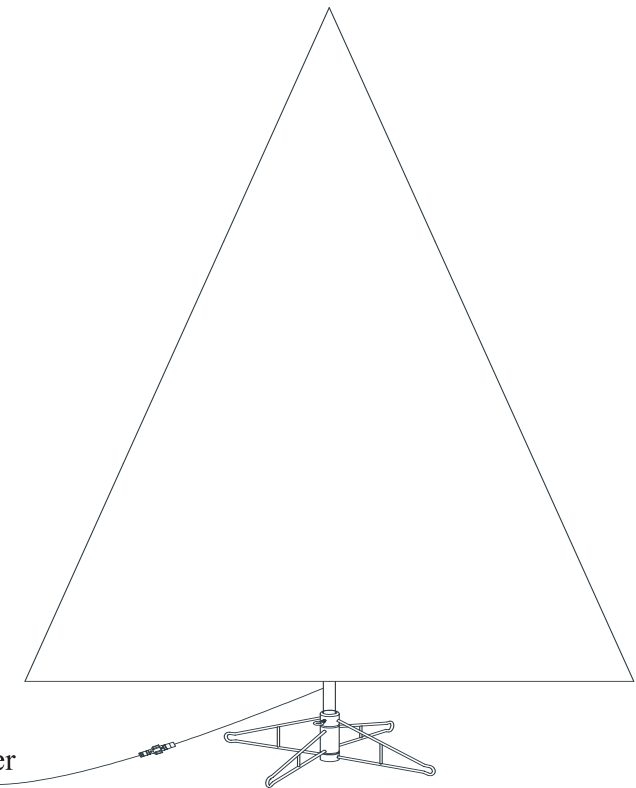


Thank you for purchasing this Instant Connect Tree. This tree includes the proprietary lighting power system (PAT.-US 8905771 B2)certificated by UL/CUL. Carefully follow the instruction below to quickly and easily set up your new tree. Before assembly, choose the appropriate set up location near a wall outlet .

1. Assemble the tree stand on a level surface as seen in the diagram below.



2. Each tree section is numbered with a tag (e.g. SECTION A, B, C). Please identify all sections before assembling.
3. Insert the bottom sec on (C) into the assembled stand. Make sure the pole is firmly inserted and secured into the stand.
4. Please open the cap before assembling the poles. Insert the middle section (B) to the bottom section (C), then insert the top section (A) into the middle section (B).
5. Once the tree sections are put together, gently shape all branches and tips into place. When adjusting branches make sure all wires are free of the branch hinges.
6. To shape the branches, start with tips located closest to the pole. For each branch, position one tip to the right, one to the le , and one at the center of the main stem, as illustrated. Repeat this pattern for each branch un l complete.



TRANSFORMER PLUG

Plug this (UL/GS/SAA/BS) Transformer into your outlet.

FOOT PEDAL SWITCH

Press the Foot Pedal Switch to turn the tree ON or OFF.

MODE 8Functions

- | | | | |
|------------------------|---------------------------|--------------------|----------------------|
| ① Warm white steady on | ②Multi steady on | ③Color changing | ④Warm white flashing |
| ⑤ Multi flashing | ⑥ Warm white/multi fading | ⑦Warm white fading | ⑧ Multi fading |

