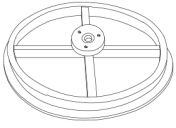

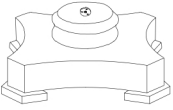


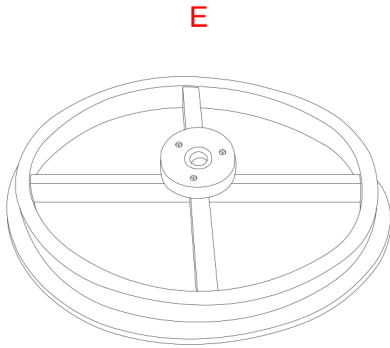
ASSEMBLY INSTRUCTIONS

CVFNR602

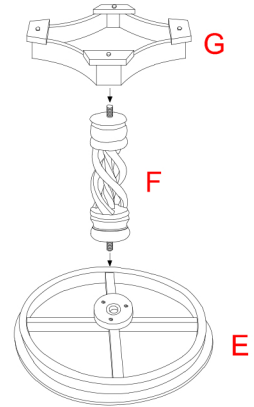
PARTS

NO.	DESCRIPTION	QTY.	
E		TOP	1
F		CENTRE	1
G		BOTTOM	1

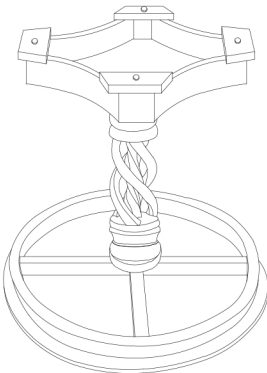
STEP-1



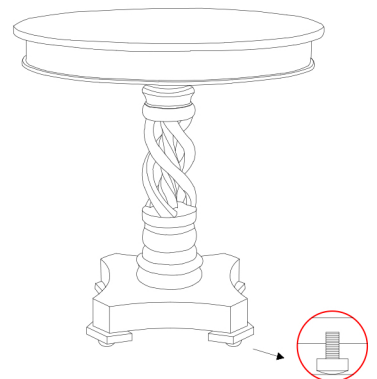
STEP-2



STEP-3



STEP-4



Note: There are leverller on bottom adjust for balance